



US00D875697S

(12) **United States Design Patent** (10) **Patent No.:** **US D875,697 S**
Diao et al. (45) **Date of Patent:** **** Feb. 18, 2020**

(54) **TELEVISION**

(71) Applicant: **SHENZHEN SKYWORTH-RGB ELECTRONIC CO., LTD**, Shenzhen, Guangdong (CN)

(72) Inventors: **Yonghong Diao**, Guangdong (CN); **Zhiyong Chen**, Guangdong (CN); **Shuxiao Wei**, Guangdong (CN); **Liyuan Peng**, Guangdong (CN)

(73) Assignee: **SHENZHEN SKYWORTH-RGB ELECTRONIC CO., LTD**, Shenzhen (CN)

(**) Term: **15 Years**

(21) Appl. No.: **29/674,737**

(22) Filed: **Dec. 25, 2018**

(30) **Foreign Application Priority Data**

Dec. 7, 2018 (CN) 2018 3 0705499

(51) **LOC (12) Cl.** **14-03**

(52) **U.S. Cl.**
USPC **D14/126**

(58) **Field of Classification Search**
USPC D14/125-134, 239, 371, 136, 374-377, D14/440, 450, 448, 336, 342, 159; 312/7.2; 348/836, 838, 180, 184, 325, 348/739; 248/917-924, 465; 345/104, 345/133, 156, 168, 87, 173; D21/329, D21/515, 577, 622, 333, 433, 448, 452, D21/450, 331, 505; D10/15, 26; 446/484, 175, 356; D6/477, 479, 300; D24/185; D34/14
CPC ... G06F 1/1601; G06F 1/1643; H05K 5/0004; H05K 5/0017; H05K 5/02; H05K 5/0217

See application file for complete search history.

(56) **References Cited**

U.S. PATENT DOCUMENTS

D731,994 S *	6/2015	Won	D14/126
D777,697 S *	1/2017	Kim	D14/126
D799,442 S *	10/2017	Park	D14/126
D806,661 S *	1/2018	Lee	D14/126
D826,885 S *	8/2018	Kim	D14/126

* cited by examiner

Primary Examiner — Randall H Gholson

(57) **CLAIM**

The ornamental design for a television, as shown and described.

DESCRIPTION

FIG. 1 is a front elevational view of a television showing our new design;

FIG. 2 is a rear elevational view thereof;

FIG. 3 is a left side view thereof;

FIG. 4 is a right side view thereof;

FIG. 5 is a top plan view thereof;

FIG. 6 is a bottom plan view thereof;

FIG. 7 is a front and right side perspective view thereof;

FIG. 8 is a rear and left side perspective view thereof;

FIG. 9 is an enlarged view of portion 9 in FIG. 1;

FIG. 10 is an enlarged view of portion 10 in FIG. 3;

FIG. 11 is an enlarged view of portion 11 in FIG. 7;

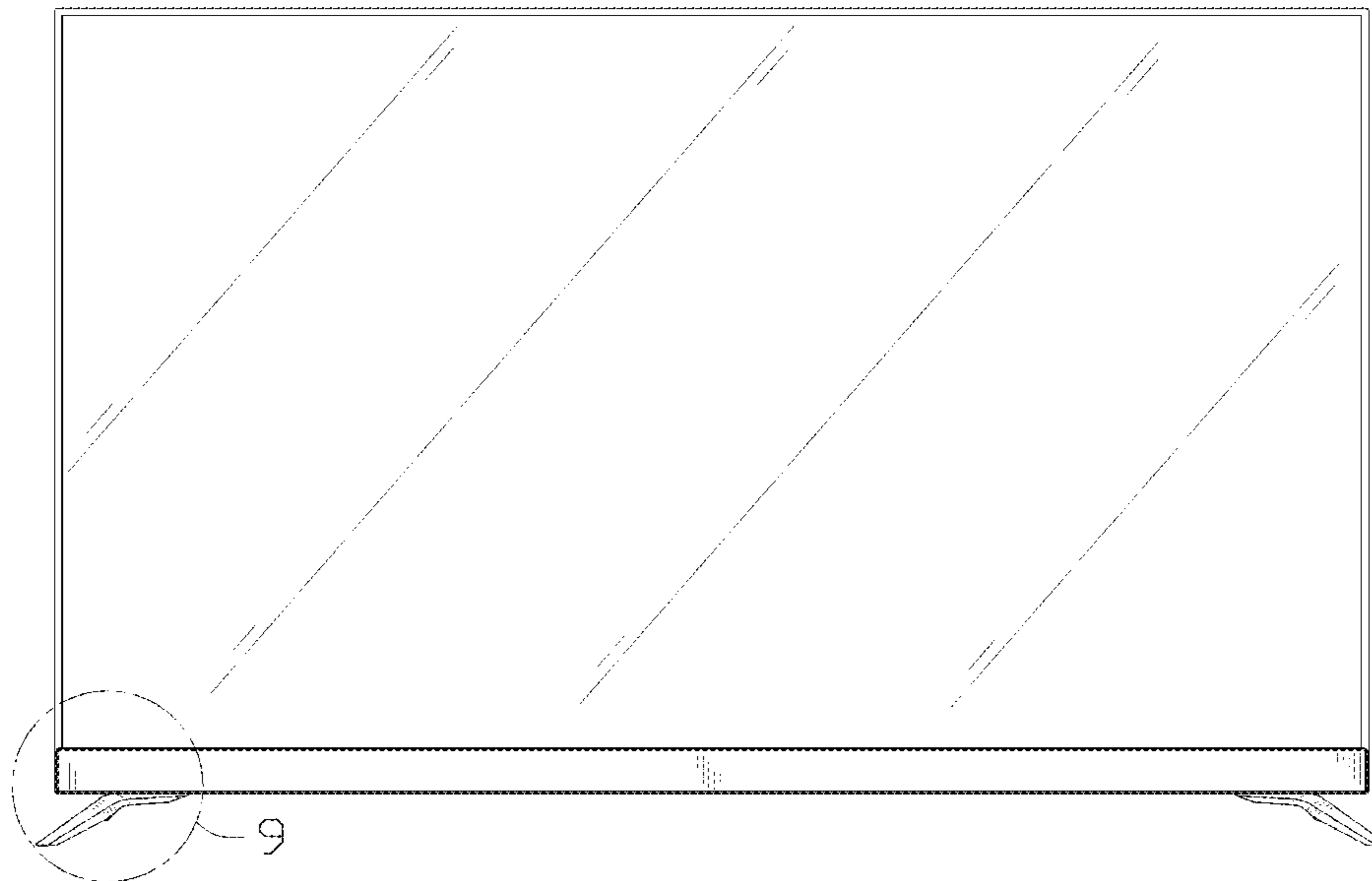
FIG. 12 is an enlarged view of portion 12 in FIG. 7;

FIG. 13 is an enlarged view of portion 13 in FIG. 8; and,

FIG. 14 is an enlarged view of portion 14 in FIG. 8.

The broken lines in the drawings illustrate portions of the television which form no part of the claimed design. The oblique shade lines in the drawings represent a reflective surface.

1 Claim, 14 Drawing Sheets



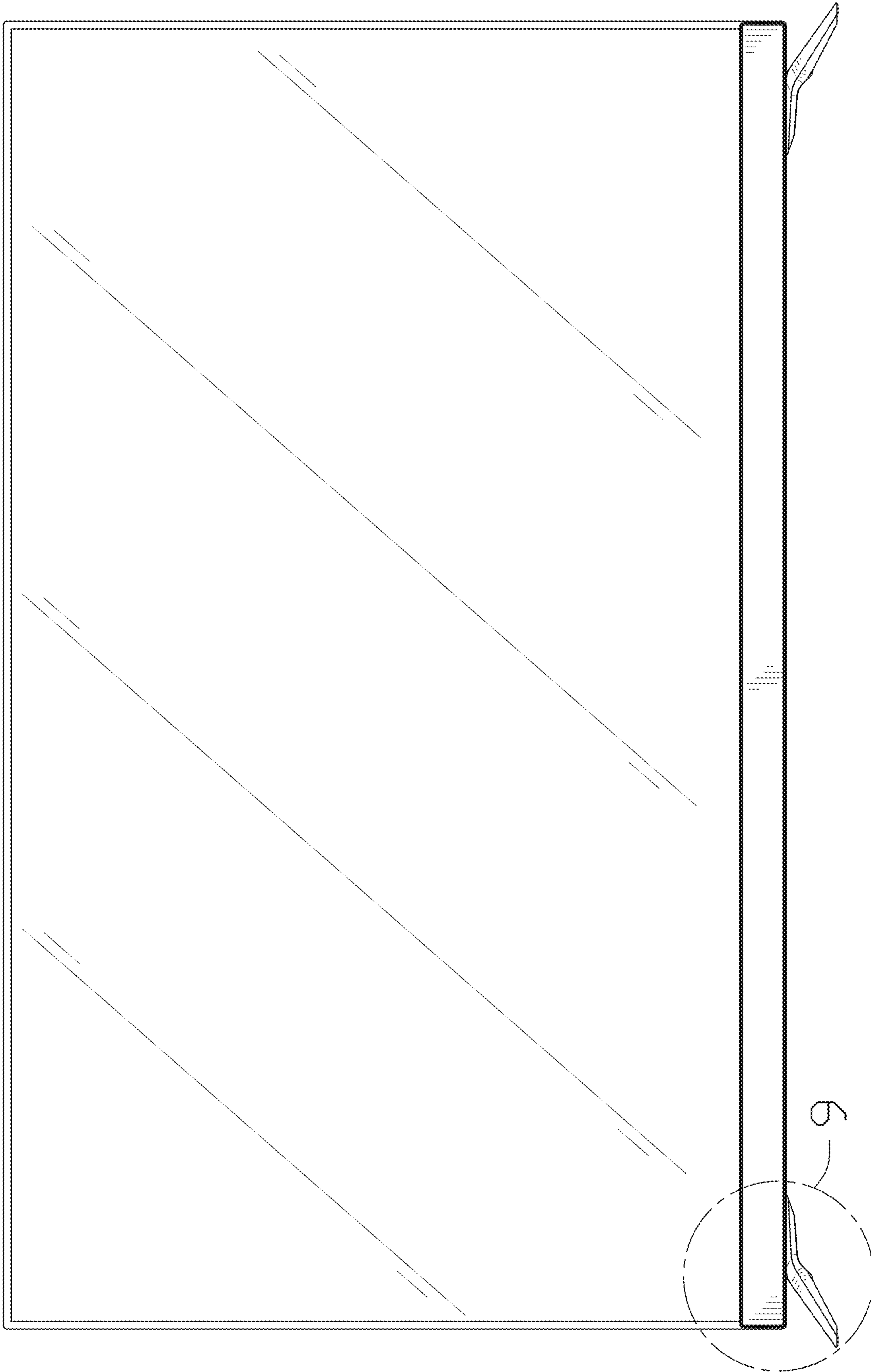


FIG. 1

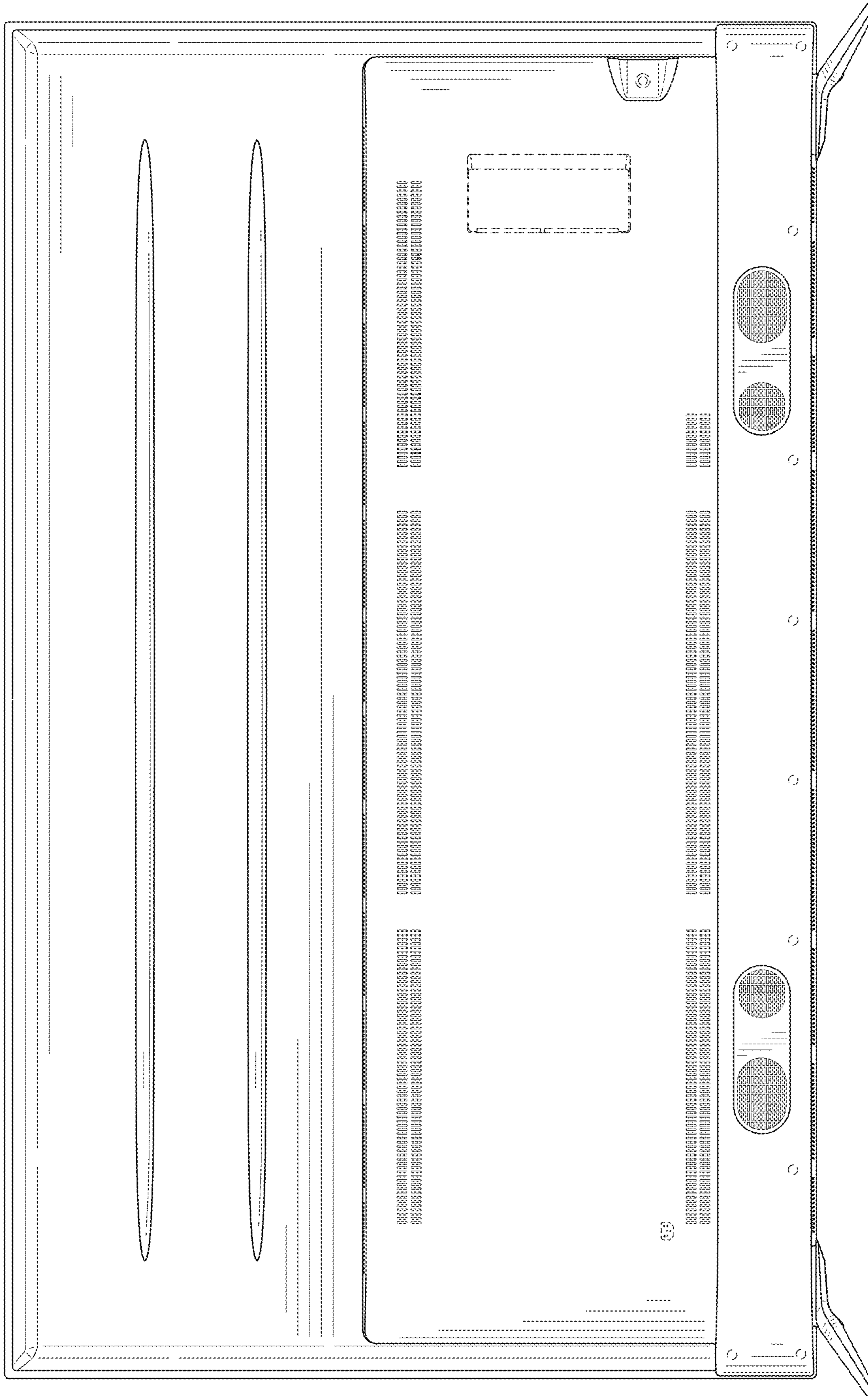


FIG. 2

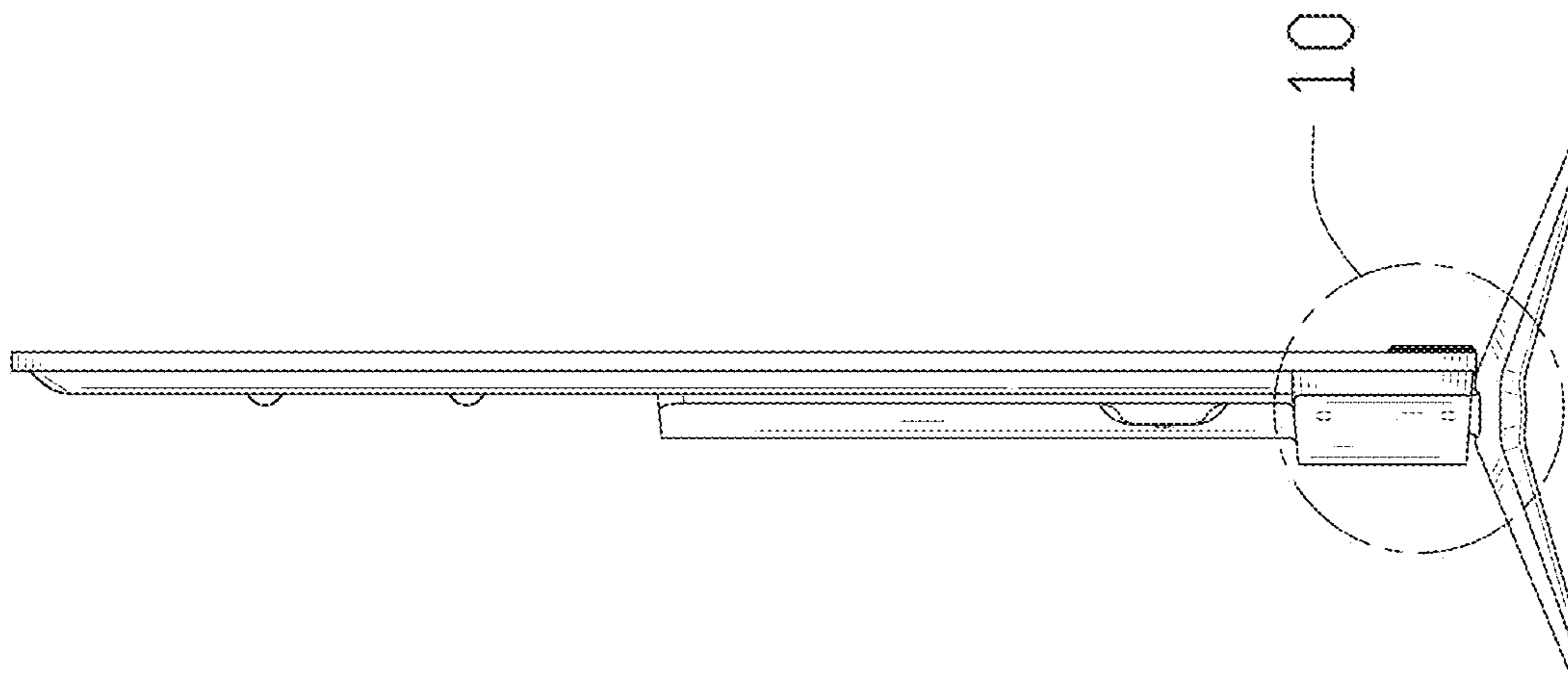


FIG. 3

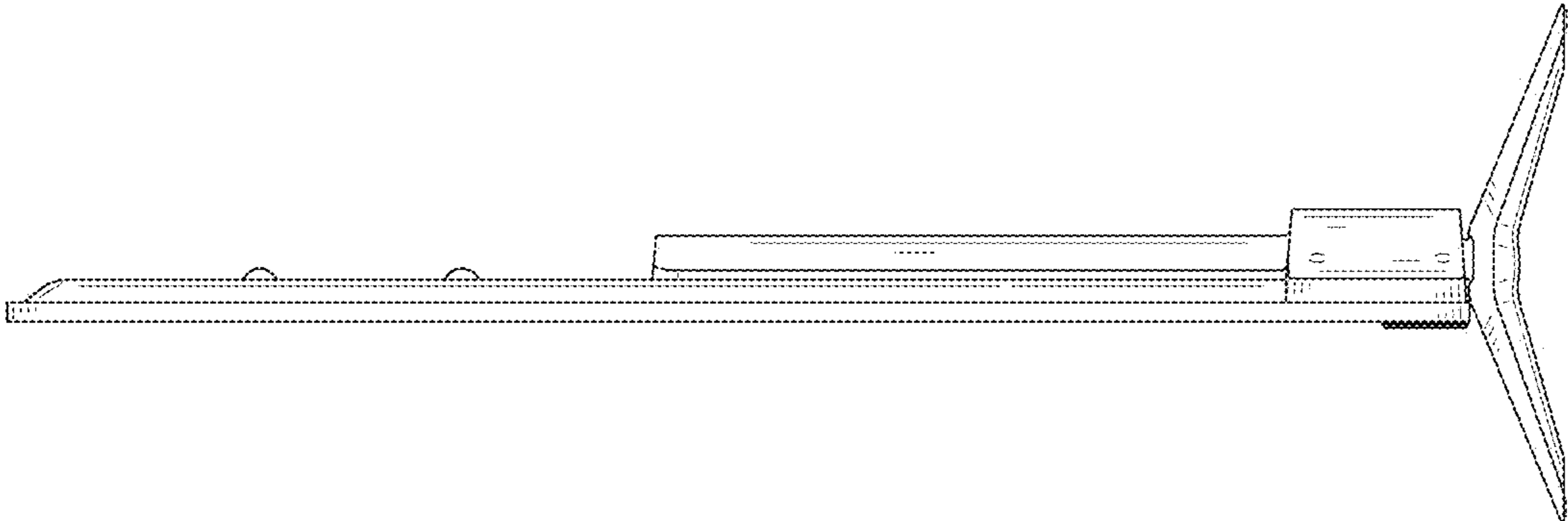


FIG. 4

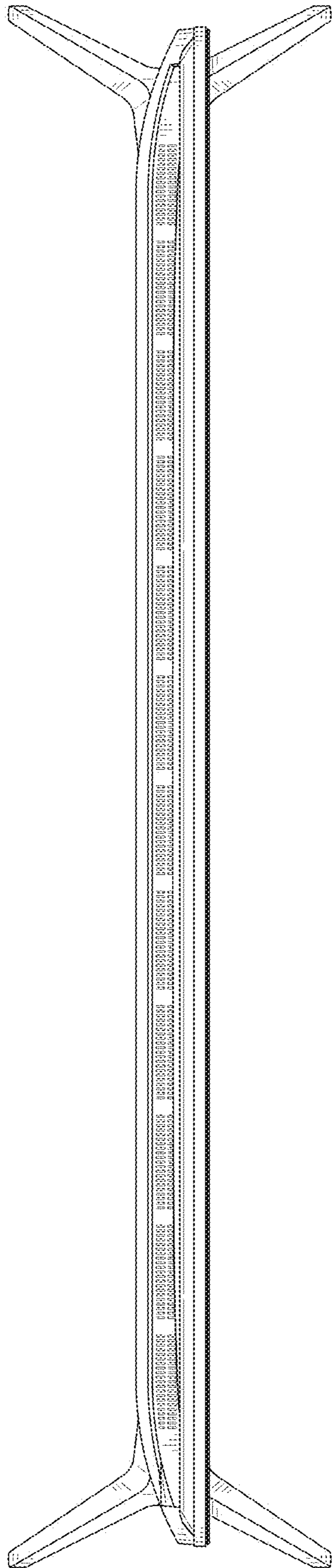


FIG. 5

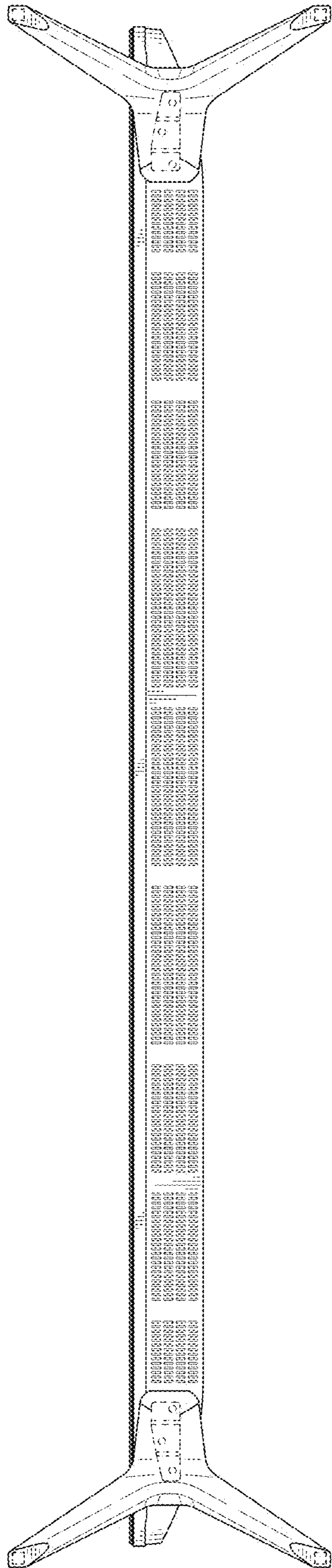


FIG. 6

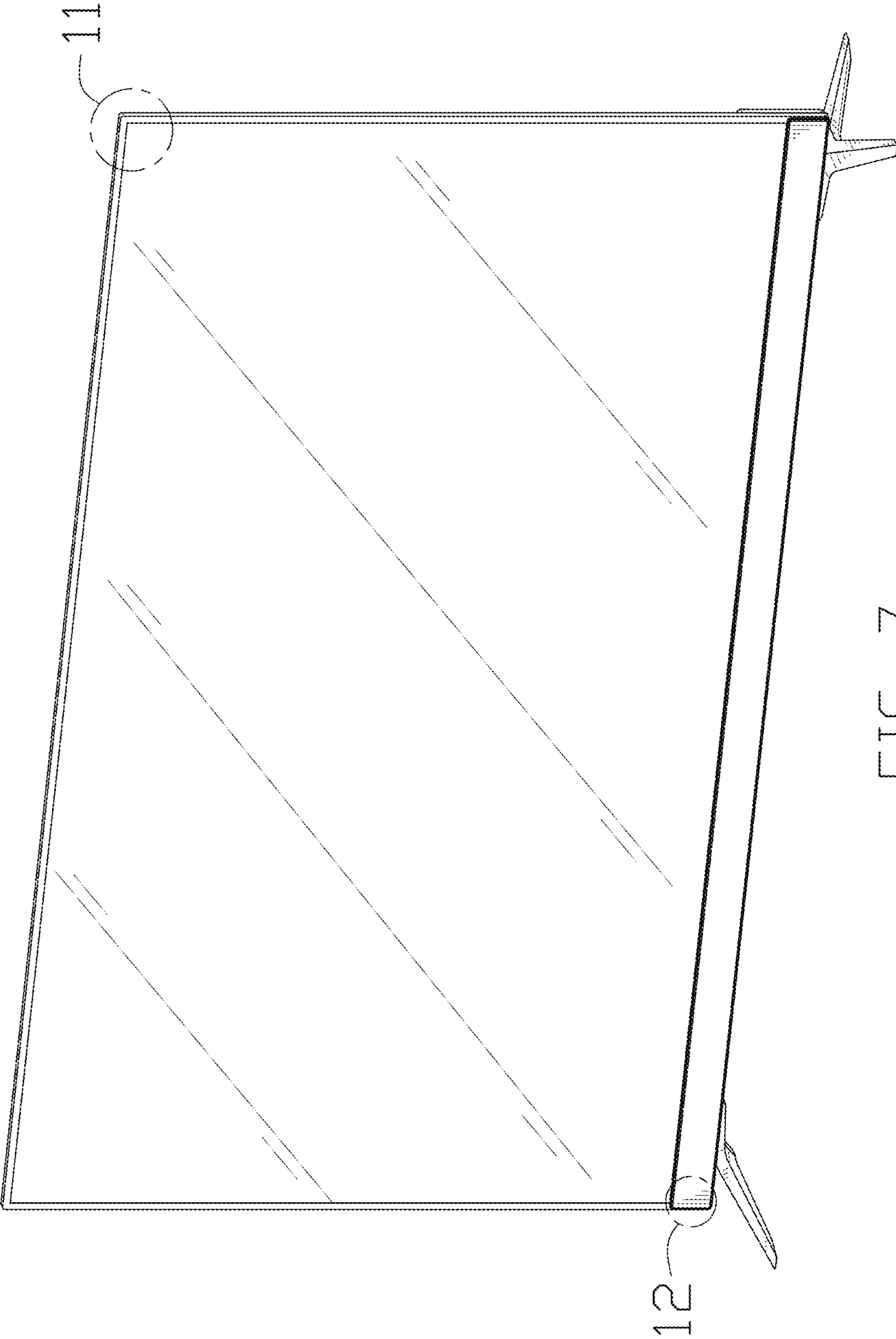


FIG. 7

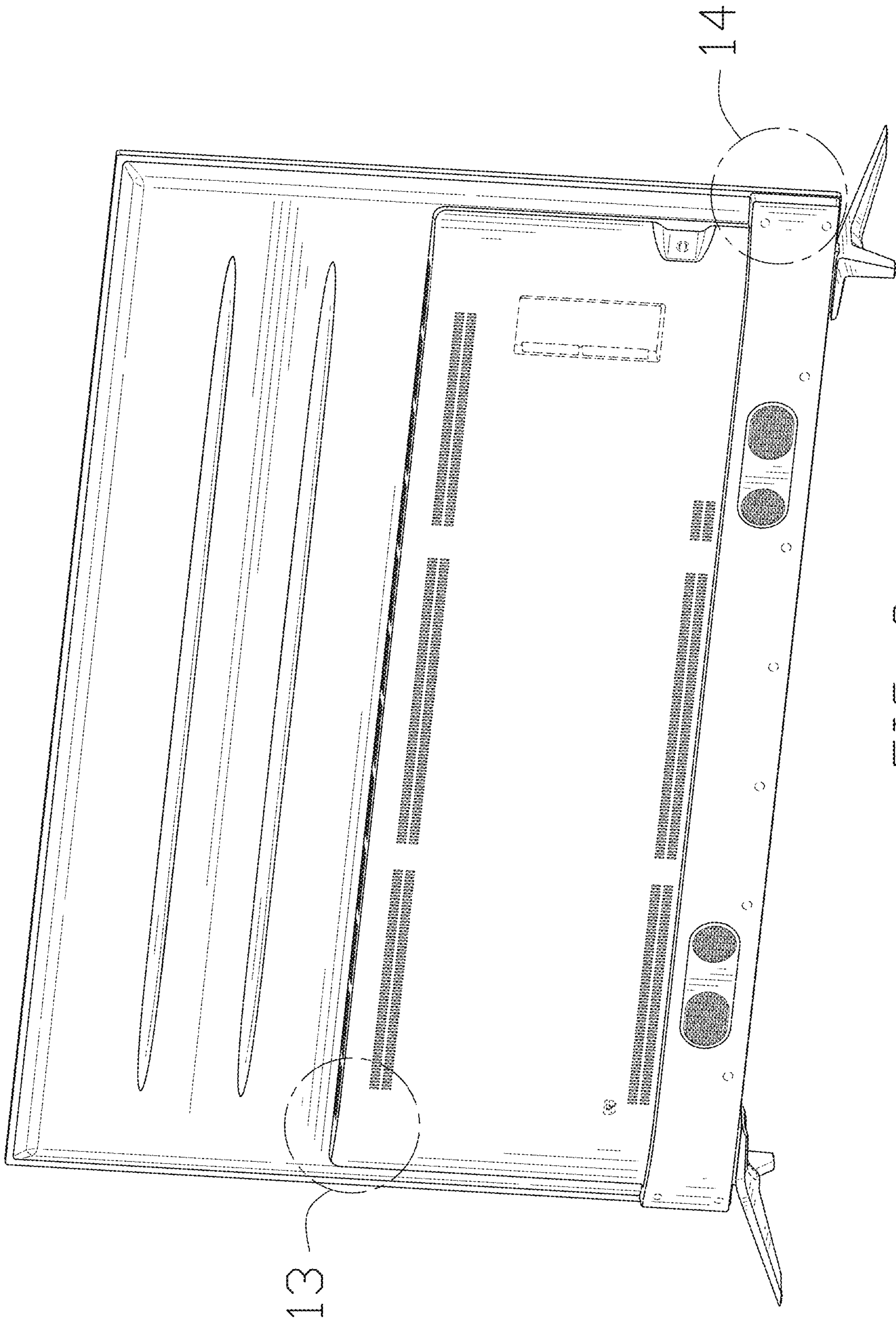


FIG. 8

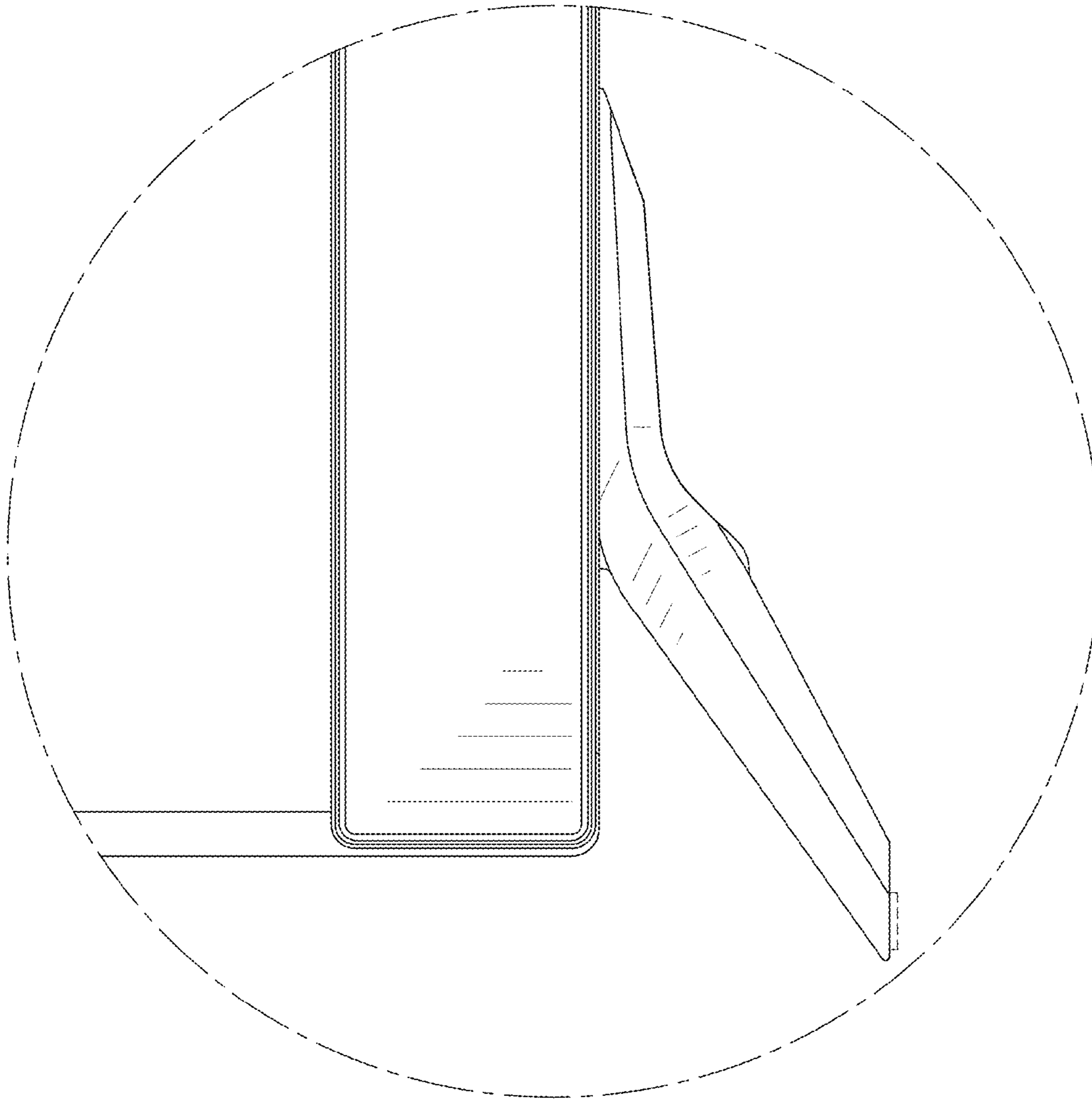


FIG. 9

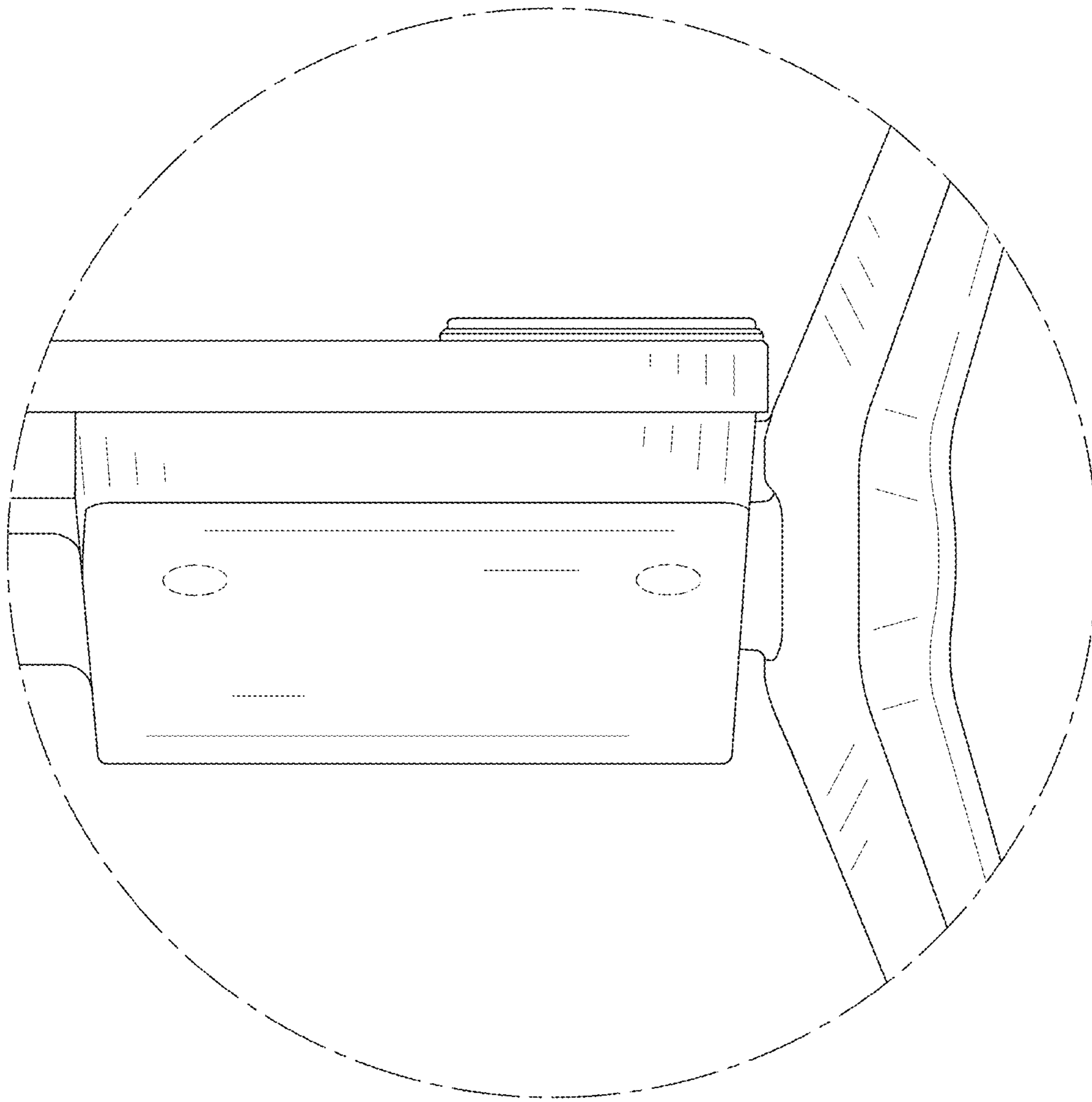


FIG. 10

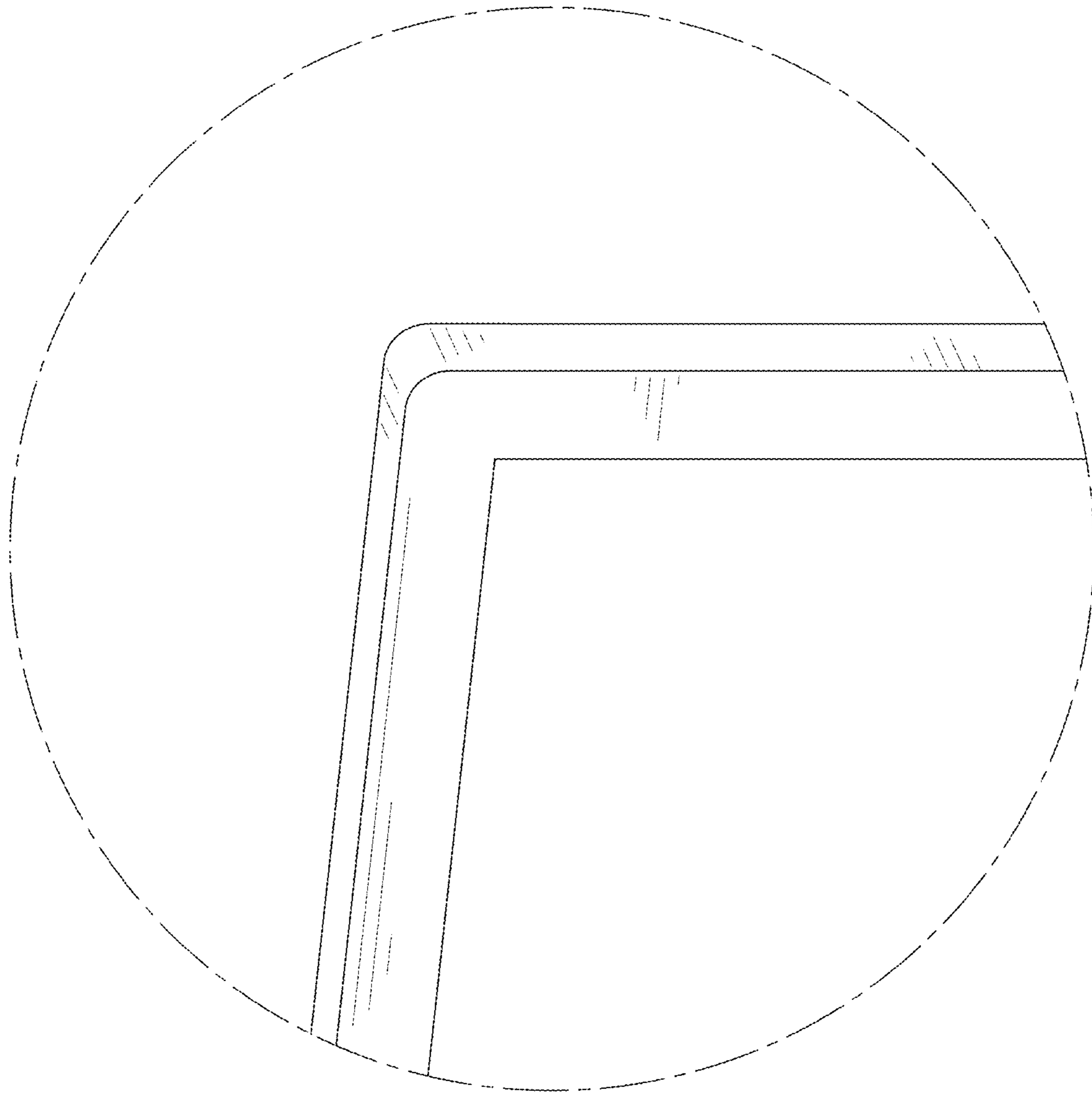


FIG. 11

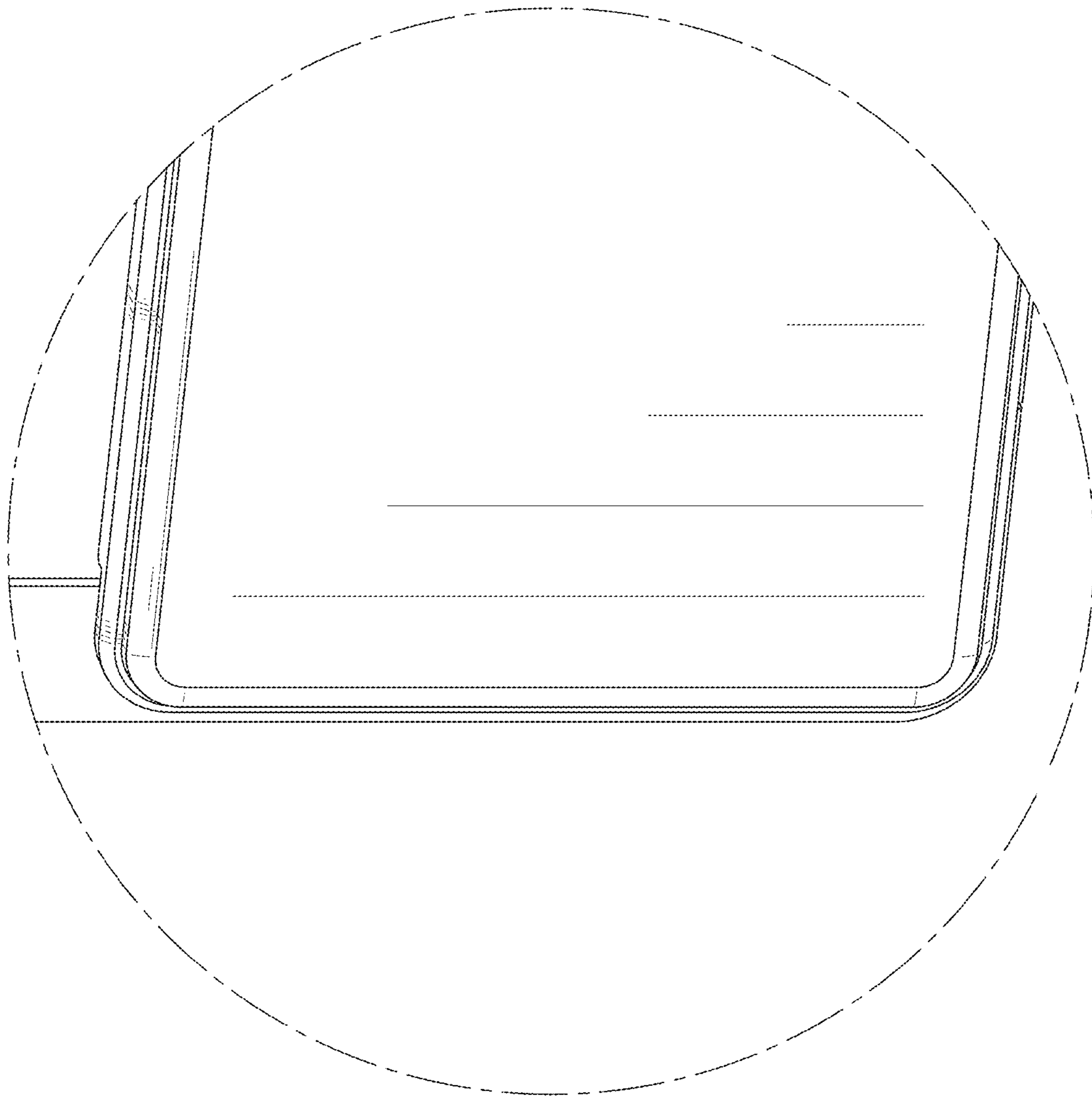


FIG. 12

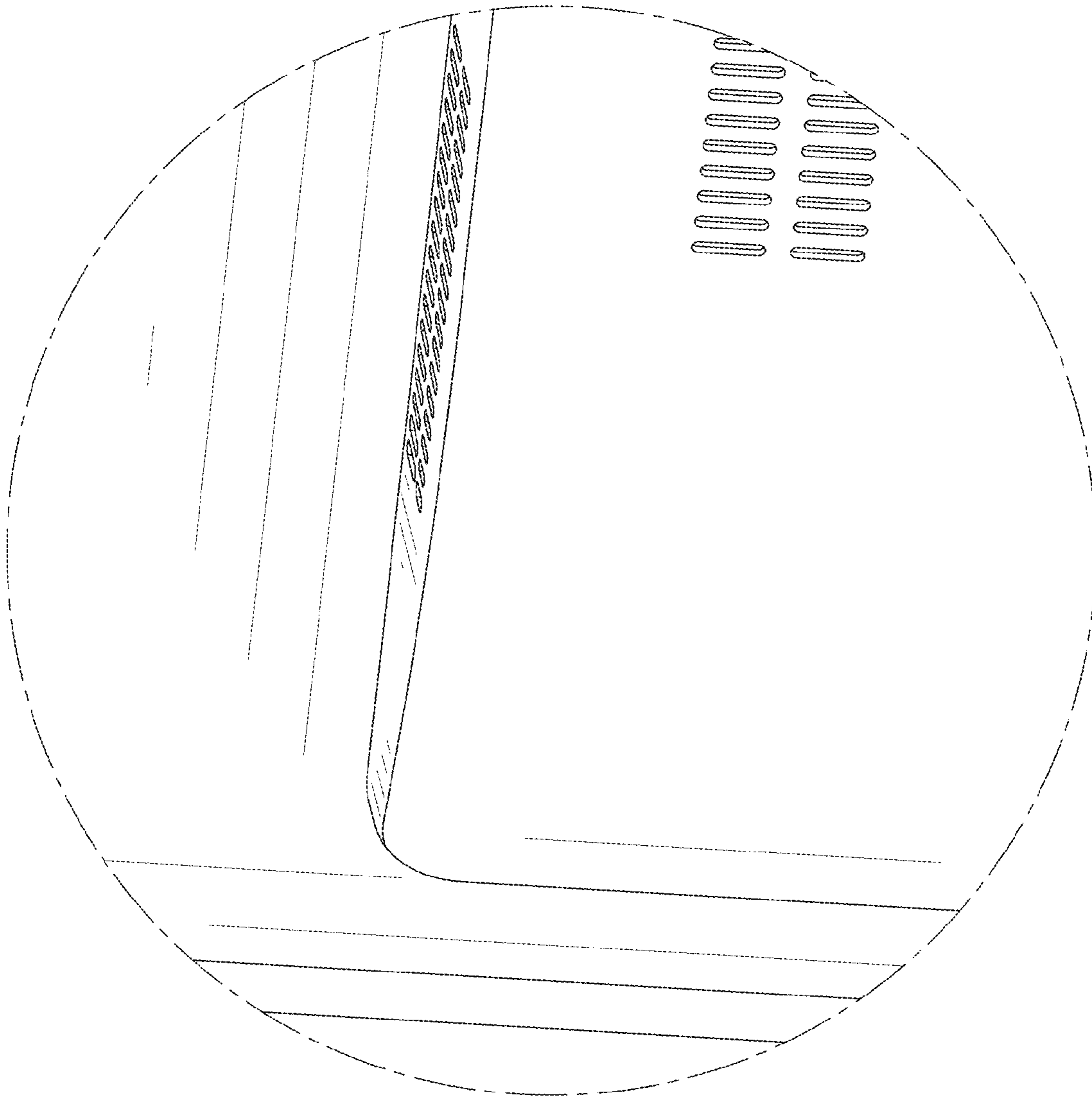


FIG. 13

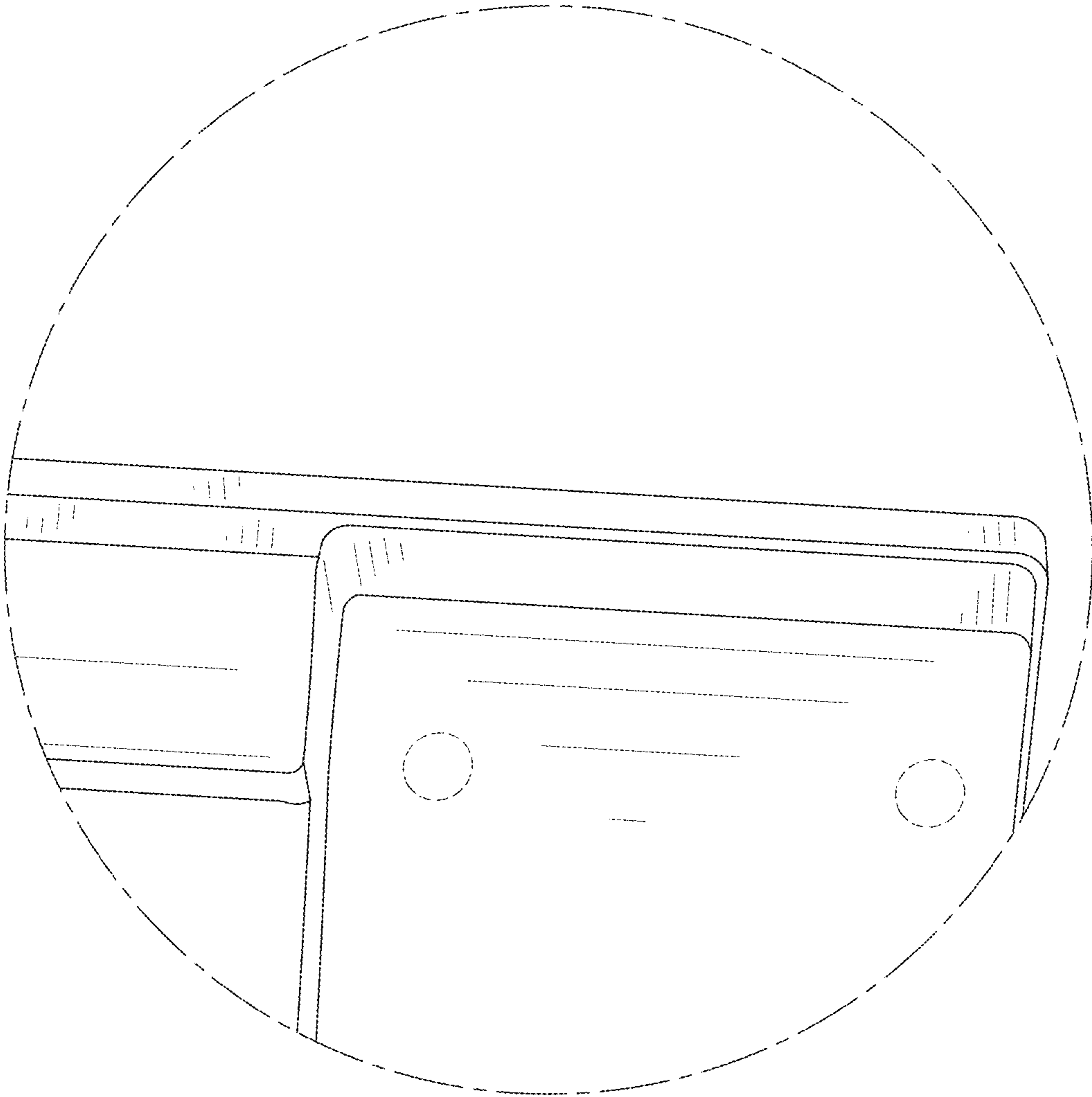


FIG. 14