



US00D875696S

(12) **United States Design Patent**  
**Lin et al.**

(10) **Patent No.:** **US D875,696 S**  
(45) **Date of Patent:** **\*\* Feb. 18, 2020**

- (54) **WALL-MOUNTING TYPE TELEVISION**
- (71) Applicant: **SHENZHEN SKYWORTH-RGB ELECTRONIC CO., LTD**, Shenzhen, Guangdong (CN)
- (72) Inventors: **Fu Lin**, Guangdong (CN); **Lixing Chen**, Guangdong (CN); **Zhiyong Chen**, Guangdong (CN); **Shuxiao Wei**, Guangdong (CN); **Feixiang Fang**, Guangdong (CN); **Xinhua Zhang**, Guangdong (CN); **Xiaohui Zhang**, Guangdong (CN); **Shusan Yang**, Guangdong (CN)
- (73) Assignee: **SHENZHEN SKYWORTH-RGB ELECTRONIC CO., LTD**, Shenzhen (CN)

(\*\*) Term: **15 Years**

(21) Appl. No.: **29/674,735**

(22) Filed: **Dec. 25, 2018**

- (30) **Foreign Application Priority Data**  
Dec. 6, 2018 (CN) ..... 2018 3 0702740
- (51) **LOC (12) Cl.** ..... **14-03**
- (52) **U.S. Cl.**  
USPC ..... **D14/126**
- (58) **Field of Classification Search**  
USPC ..... D14/125-134, 239, 371, 136, 374-377, D14/440, 450, 448, 336, 342, 159; 312/7.2; 348/836, 838, 180, 184, 325, 348/739; 248/917-924, 465; 345/104, 345/133, 156, 168, 87, 173; D21/329, D21/515, 577, 622, 333, 433, 448, 452, D21/450, 331, 505; D10/15, 26; 446/484, 175, 356; D6/477, 479, 300; D24/185; D34/14

CPC ... G06F 1/1601; G06F 1/1643; H05K 5/0004; H05K 5/0017; H05K 5/02; H05K 5/0217  
See application file for complete search history.

(56) **References Cited**

U.S. PATENT DOCUMENTS

D588,560 S \* 3/2009 Mellingen ..... D14/126  
D643,002 S \* 8/2011 Choi ..... D14/126

\* cited by examiner

*Primary Examiner* — Randall H Gholson

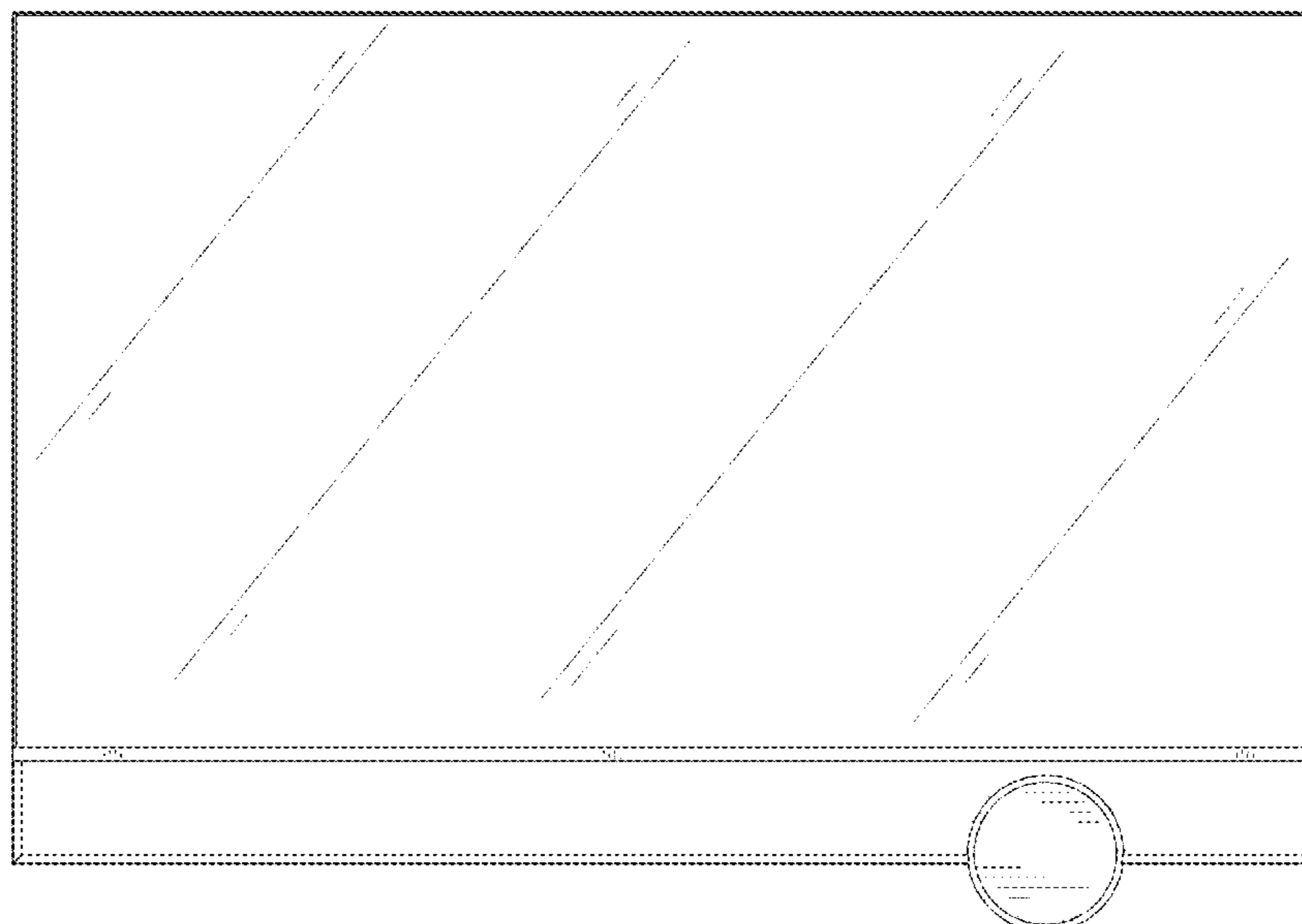
(57) **CLAIM**

The ornamental design for a wall-mounting type television, as shown and described.

**DESCRIPTION**

FIG. 1 is a front elevational view of a wall-mounting type television showing our new design;  
FIG. 2 is a rear elevational view thereof;  
FIG. 3 is a left side view thereof;  
FIG. 4 is a right side view thereof;  
FIG. 5 is a top plan view thereof;  
FIG. 6 is a bottom plan view thereof;  
FIG. 7 is a front and left side perspective view thereof;  
FIG. 8 is a front and left side perspective view showing the wall-mounting type television linked with a control module in a use state; and,  
FIG. 9 is an enlarged view of portion 9 in FIG. 7.  
The broken lines in the drawings illustrate portions of the wall-mounting type television which form no part of the claimed design.  
The broken lines in FIG. 8 depicting the control module either form no part of the claimed design.  
The oblique shade lines in the drawings represent a reflective surface.

**1 Claim, 9 Drawing Sheets**



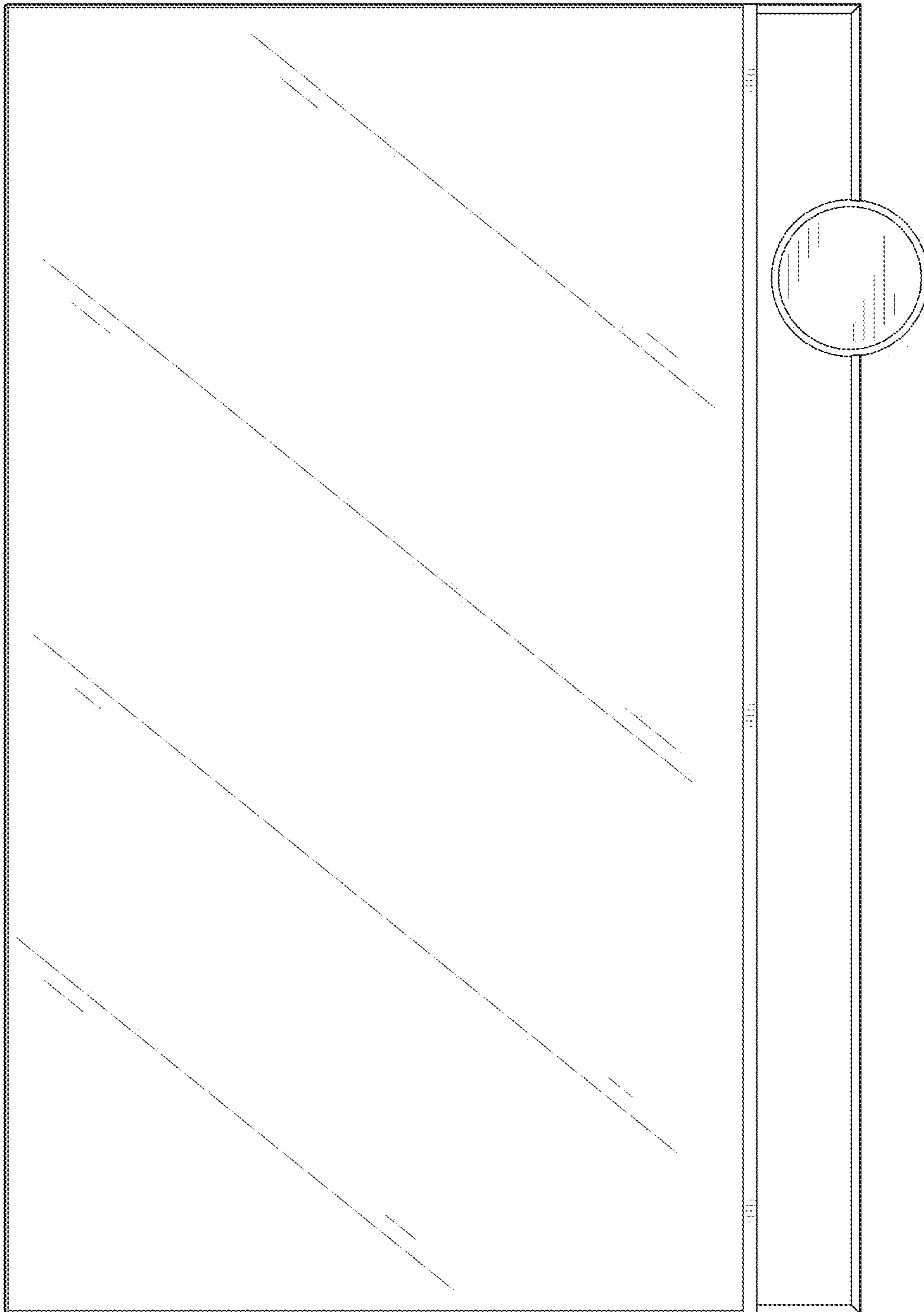


FIG. 1

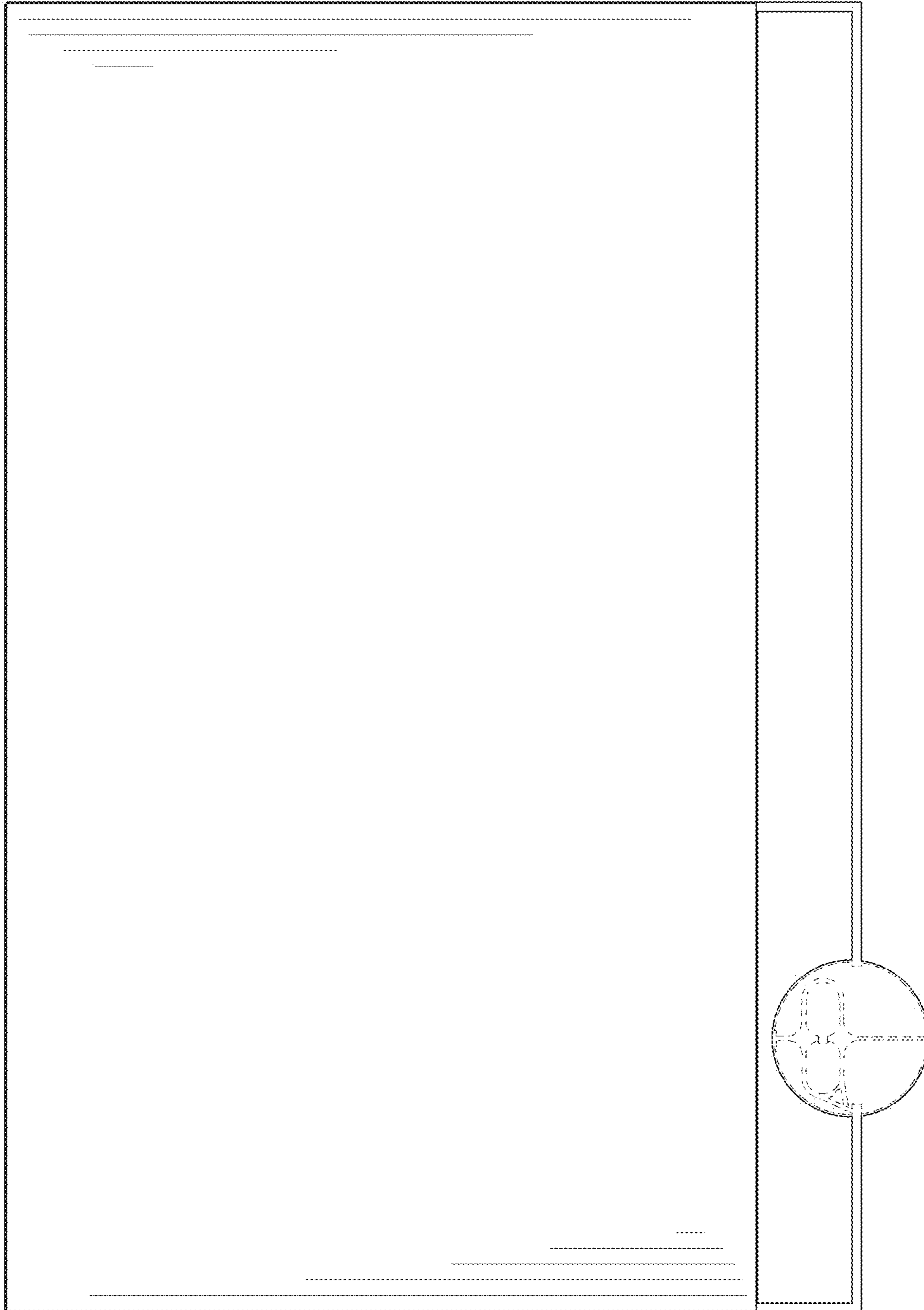


FIG. 2

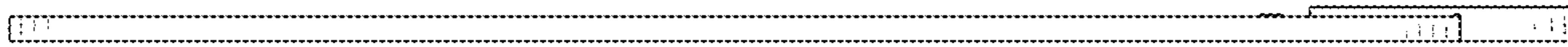


FIG. 3

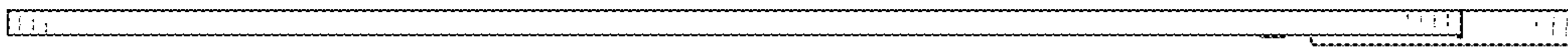


FIG. 4

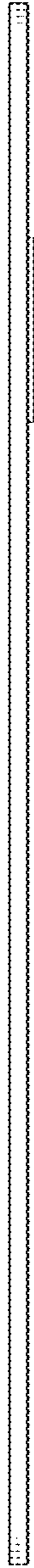


FIG. 5



FIG. 6

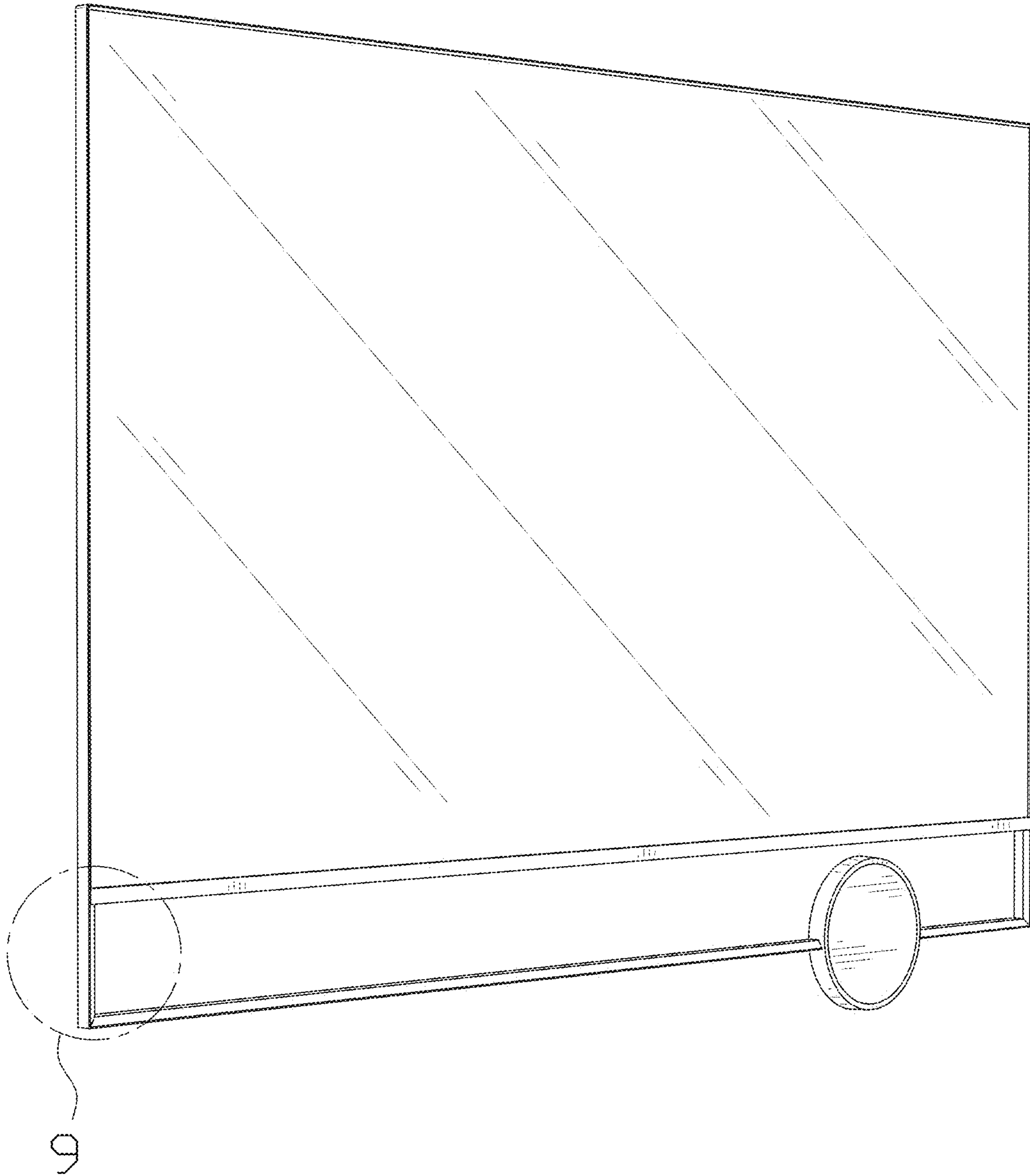


FIG. 7



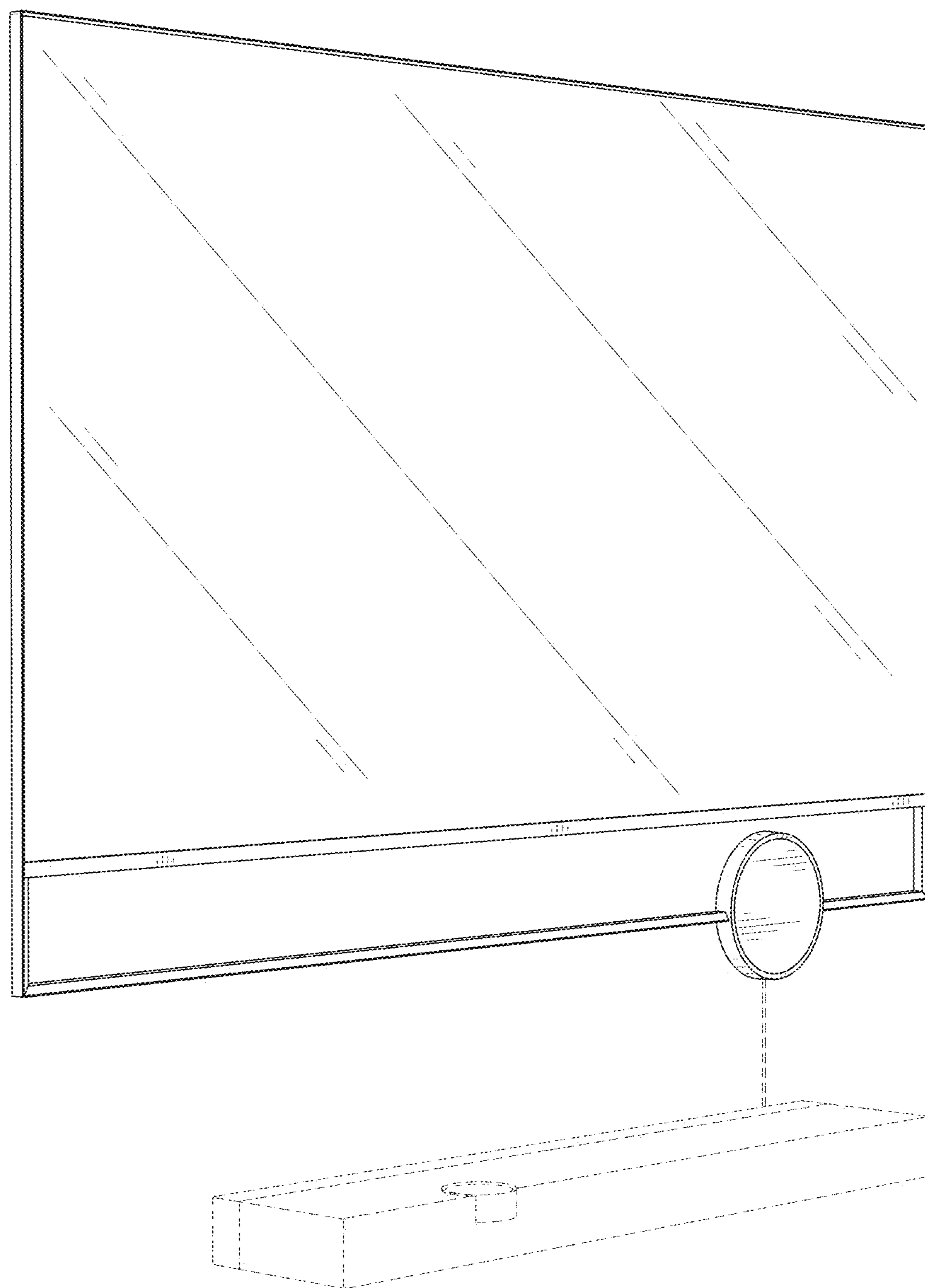


FIG. 8

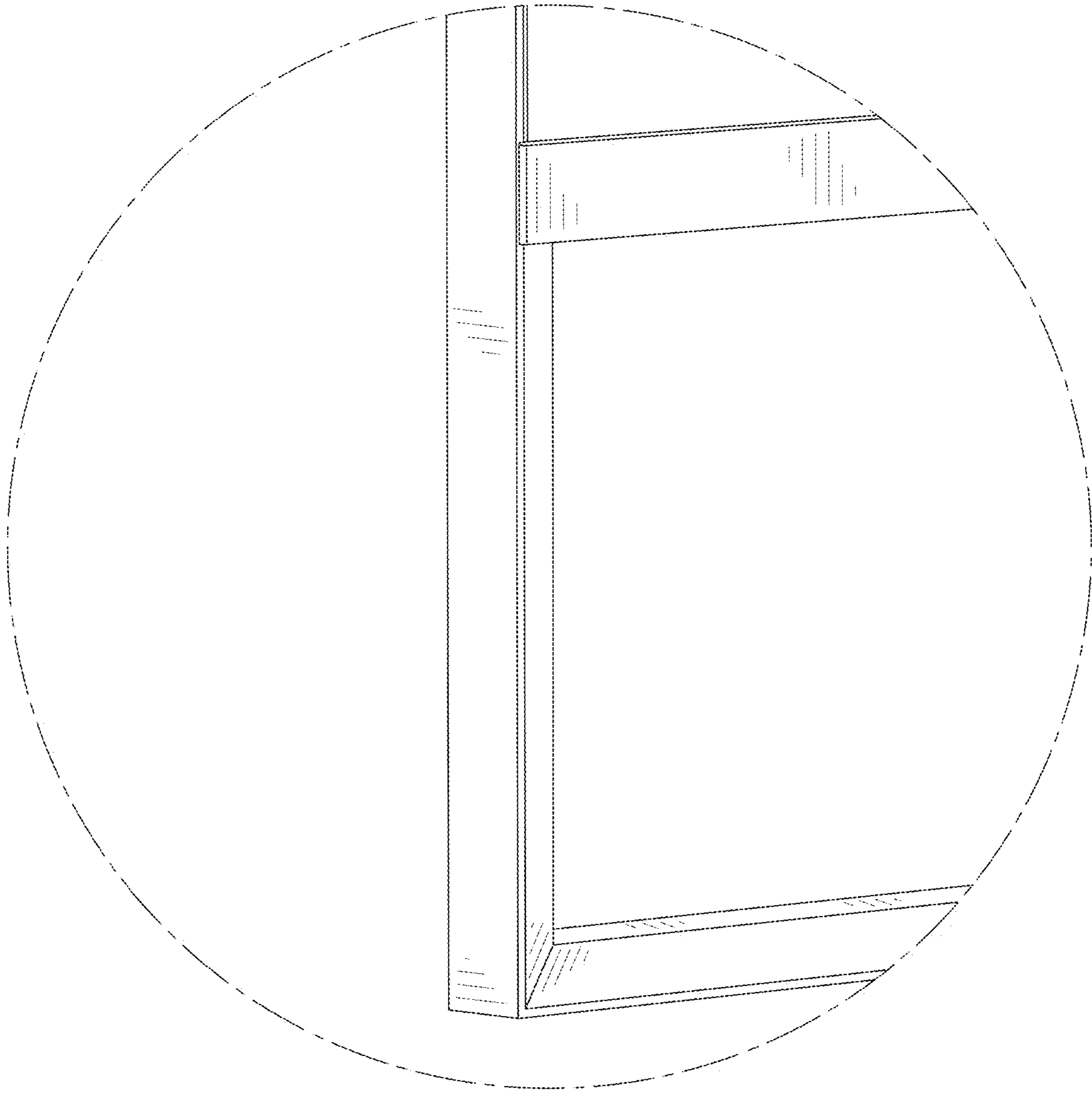


FIG. 9