



US00D875695S

(12) **United States Design Patent** (10) **Patent No.:** **US D875,695 S**
Li et al. (45) **Date of Patent:** **** Feb. 18, 2020**

(54) **TELEVISION**

(71) Applicant: **SHENZHEN SKYWORTH-RGB ELECTRONIC CO., LTD**, Shenzhen, Guangdong (CN)

(72) Inventors: **Qiang Li**, Guangdong (CN); **Zhiyong Chen**, Guangdong (CN); **Shuxiao Wei**, Guangdong (CN); **Changquan Wu**, Guangdong (CN)

(73) Assignee: **SHENZHEN SKYWORTH-RGB ELECTRONIC CO., LTD**, Shenzhen (CN)

(**) Term: **15 Years**

(21) Appl. No.: **29/674,727**

(22) Filed: **Dec. 24, 2018**

(30) **Foreign Application Priority Data**

Dec. 4, 2018 (CN) 2018 3 0696898

(51) **LOC (12) Cl.** **14-03**

(52) **U.S. Cl.**
USPC **D14/126**

(58) **Field of Classification Search**
USPC D14/125-134, 239, 371, 136, 374-377, D14/440, 450, 448, 336, 342, 159; 312/7.2; 348/836, 838, 180, 184, 325, 348/739; 248/917-924, 465; 345/104, 345/133, 156, 168, 87, 173; D21/329, D21/515, 577, 622, 333, 433, 448, 452, D21/450, 331, 505; D10/15, 26; 446/484, 175, 356; D6/477, 479, 300; D24/185; D34/14

CPC ... G06F 1/1601; G06F 1/1643; H05K 5/0004; H05K 5/0017; H05K 5/02; H05K 5/0217

See application file for complete search history.

(56) **References Cited**

U.S. PATENT DOCUMENTS

D741,276 S * 10/2015 Shin D14/126
D750,053 S * 2/2016 Shin D14/239
D774,481 S * 12/2016 Shin D14/126

* cited by examiner

Primary Examiner — Randall H Gholson

(57) **CLAIM**

The ornamental design for a television, as shown and described.

DESCRIPTION

FIG. 1 is a front elevational view of a television showing our new design;

FIG. 2 is a rear elevational view thereof;

FIG. 3 is a left side view thereof;

FIG. 4 is a right side view thereof;

FIG. 5 is a top plan view thereof;

FIG. 6 is a bottom plan view thereof;

FIG. 7 is a front and right side perspective view thereof;

FIG. 8 is a bottom, rear and right side perspective view thereof;

FIG. 9 is an enlarged view of portion 9 in FIG. 7;

FIG. 10 is an enlarged view of portion 10 in FIG. 7;

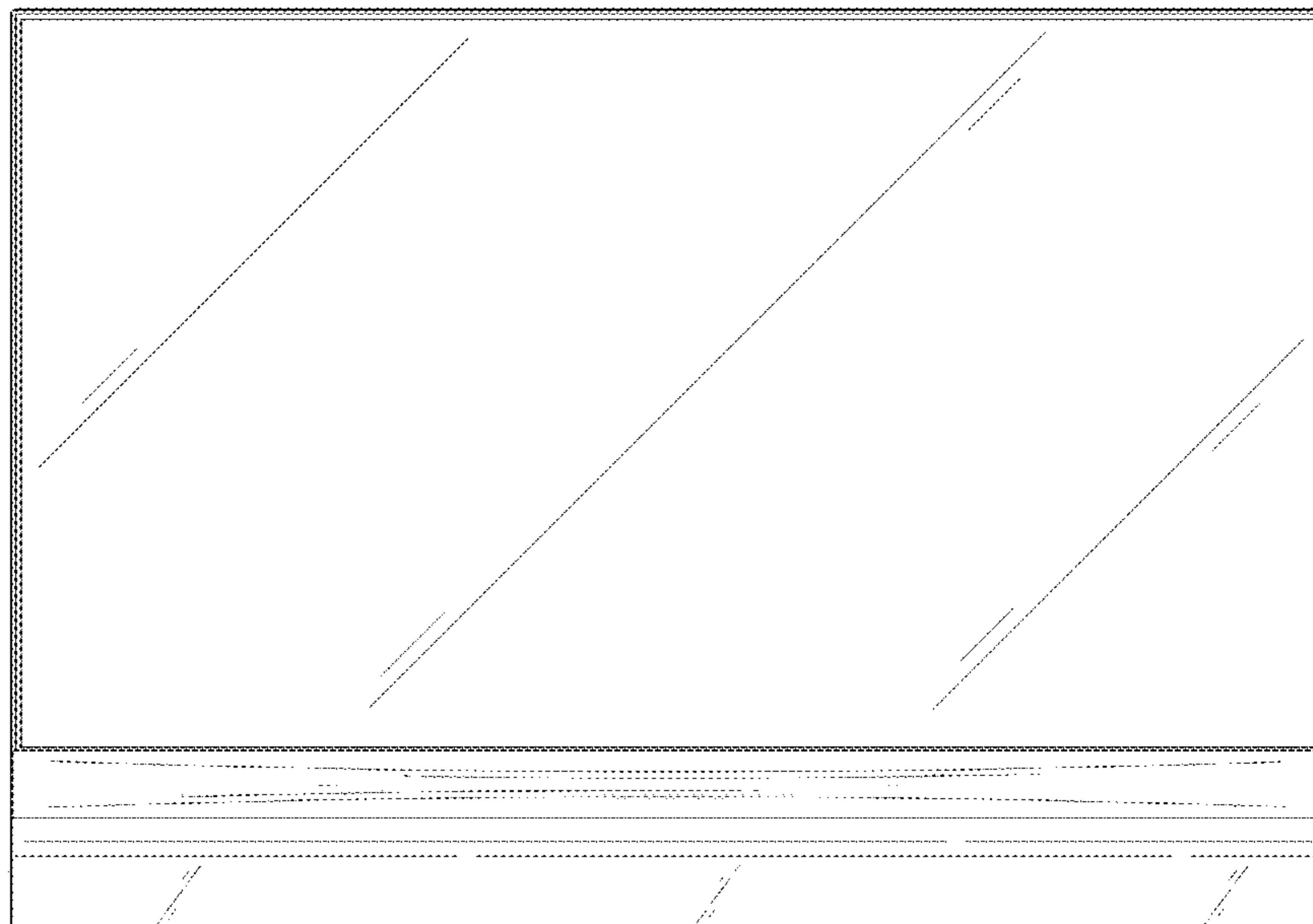
FIG. 11 is an enlarged view of portion 11 in FIG. 8; and,

FIG. 12 is an enlarged view of portion 12 in FIG. 8.

The broken lines in the drawings illustrate portions of the television which form no part of the claimed design.

The monitor is shaded with oblique lines to indicate a reflective surface. The base stand is shaded with oblique lines to indicate transparency.

1 Claim, 12 Drawing Sheets



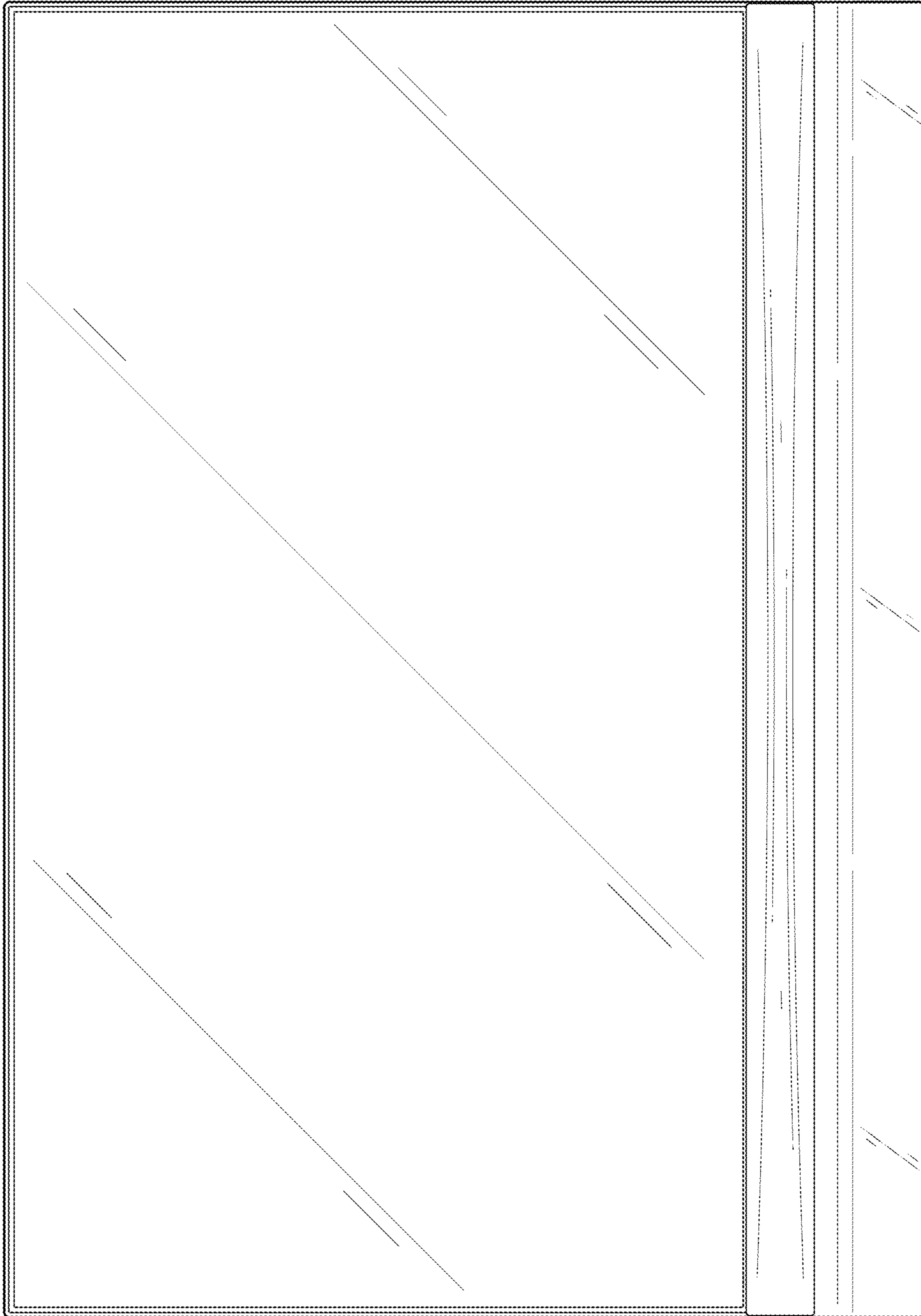


FIG. 1

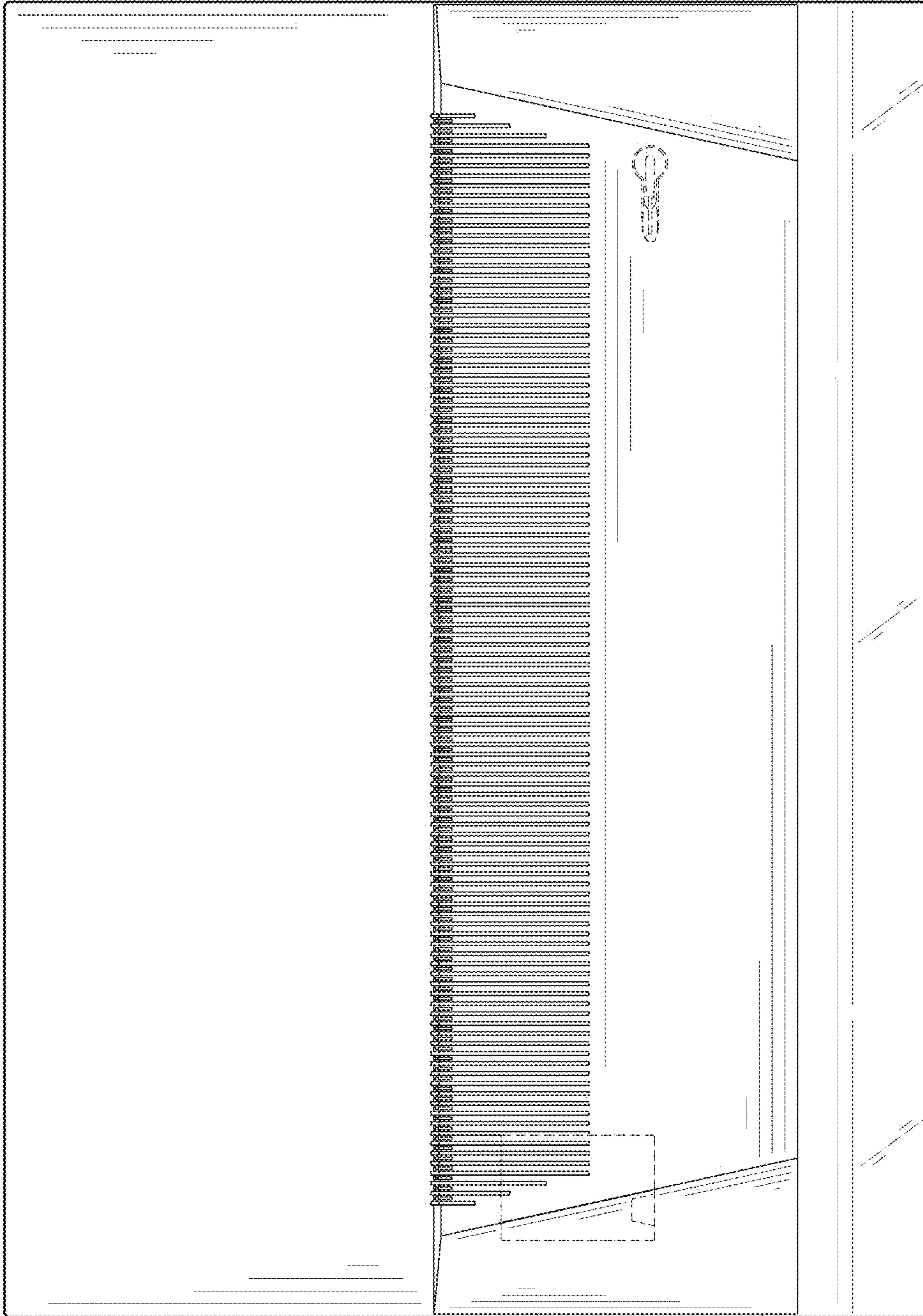


FIG. 2

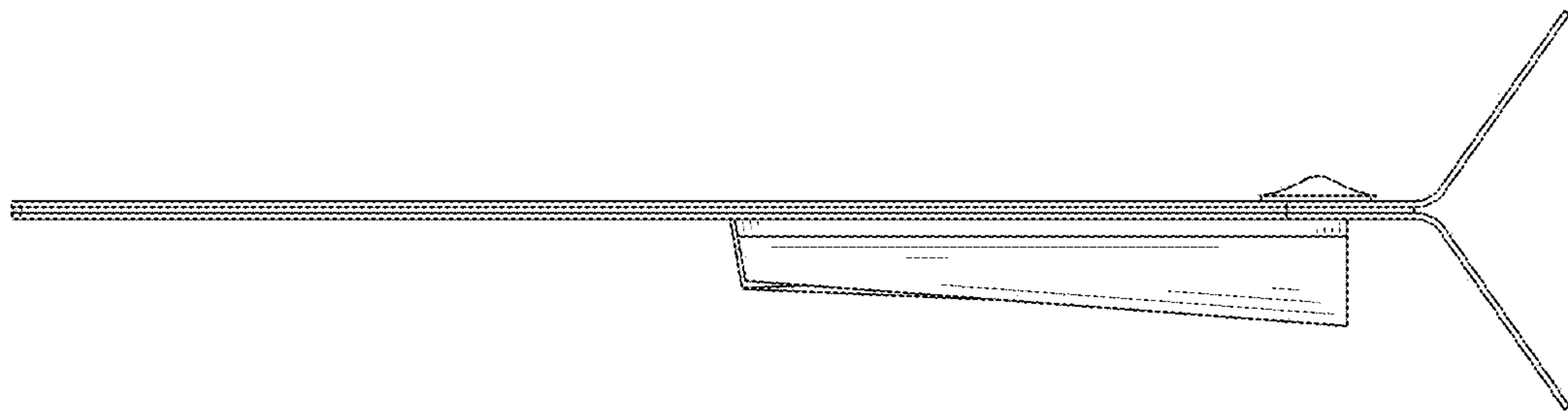


FIG. 3

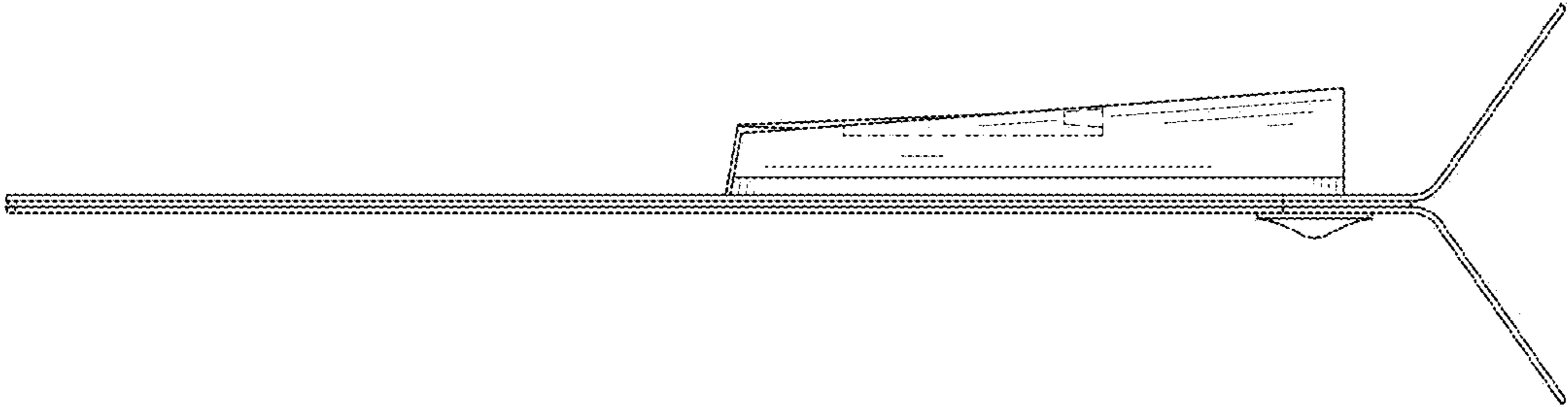


FIG. 4

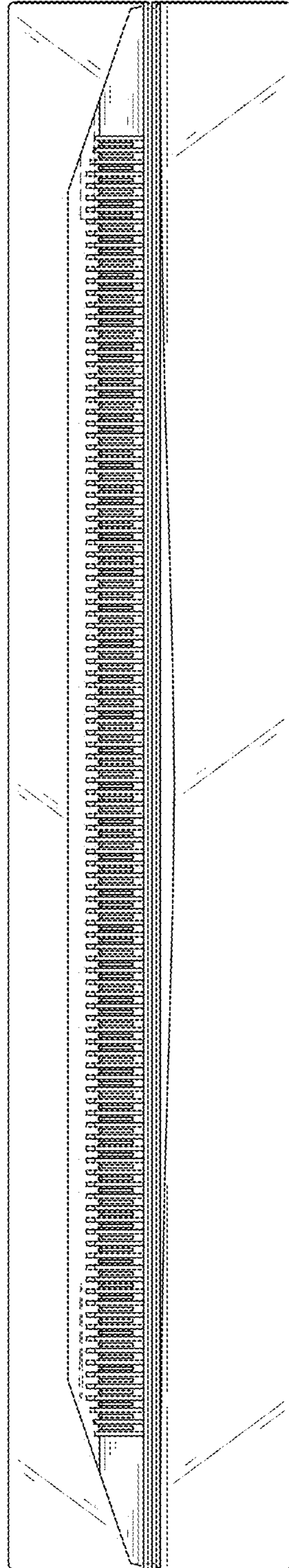


FIG. 5

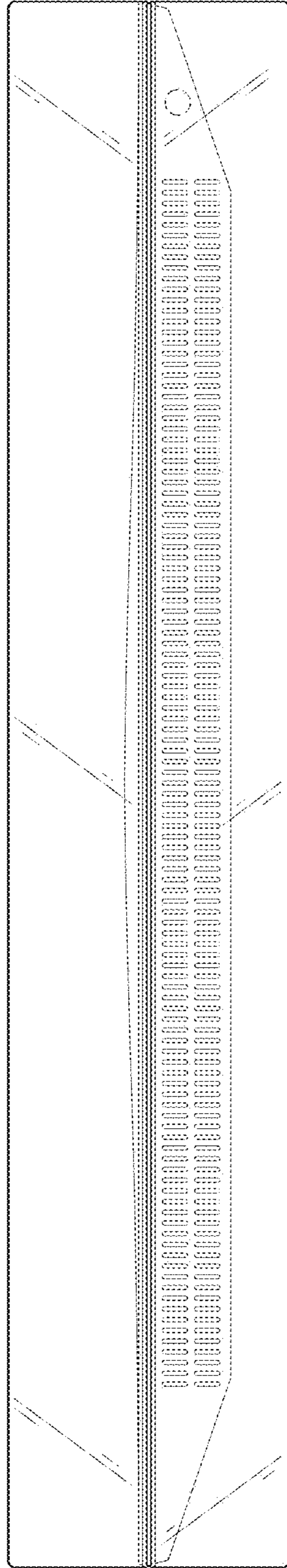


FIG. 6

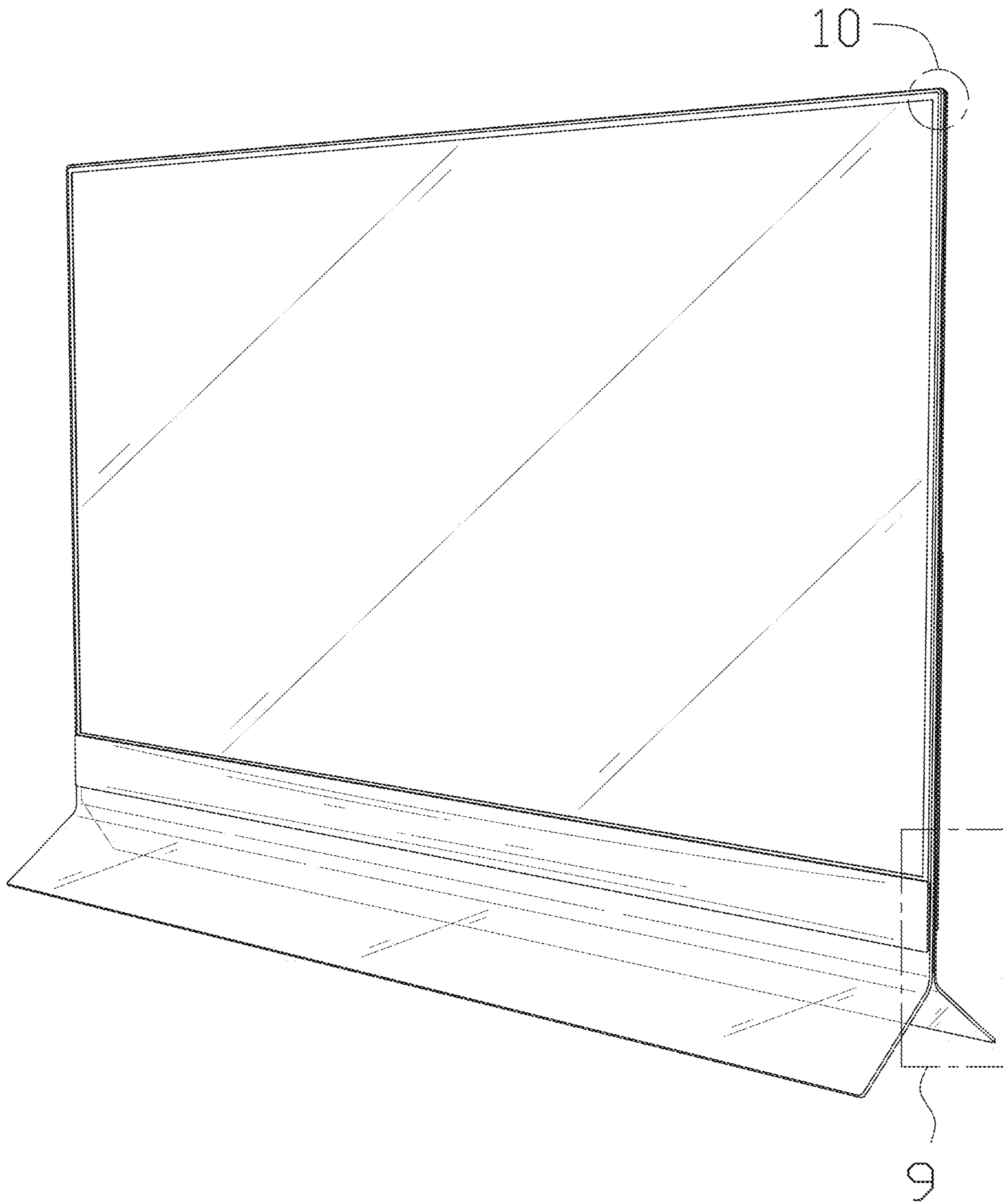


FIG. 7

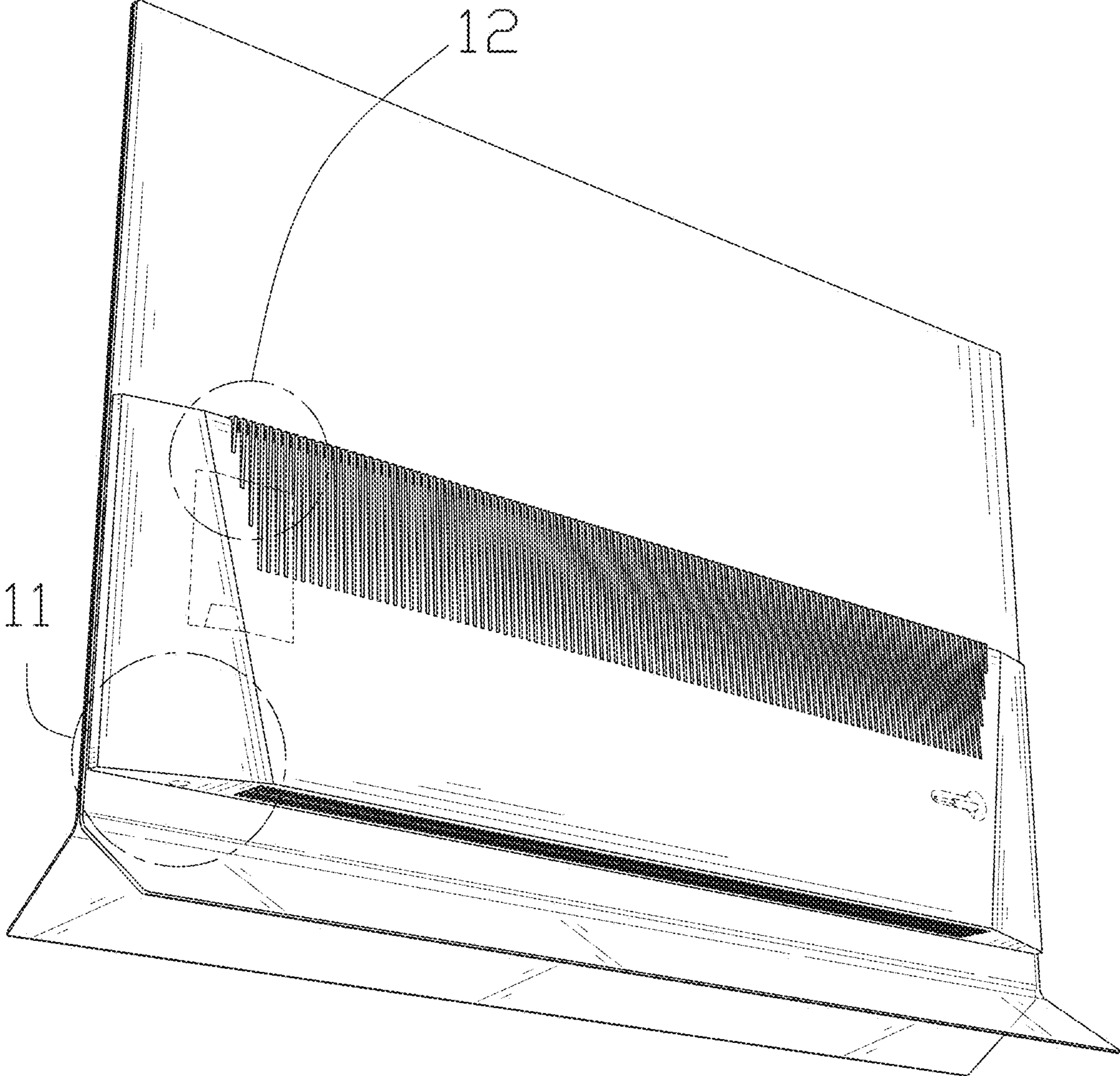


FIG. 8

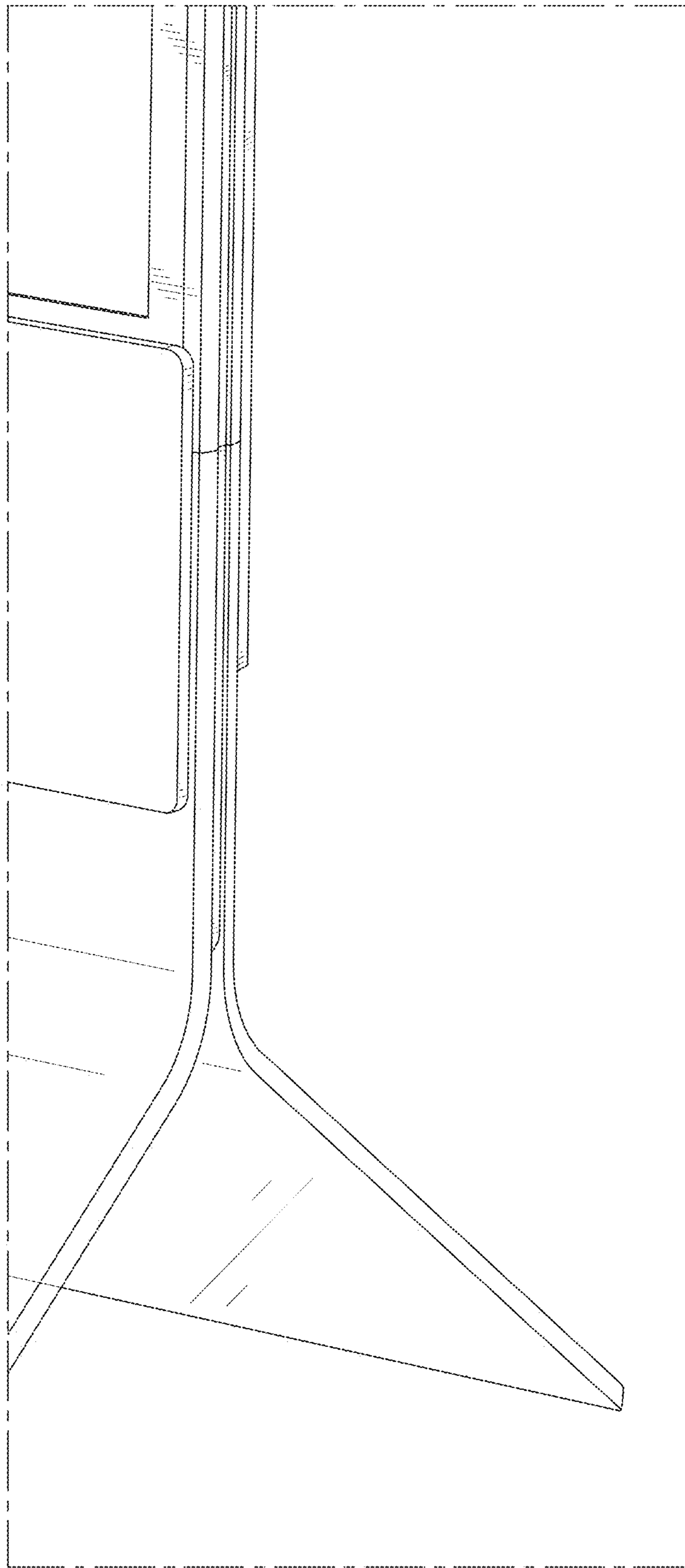


FIG. 9

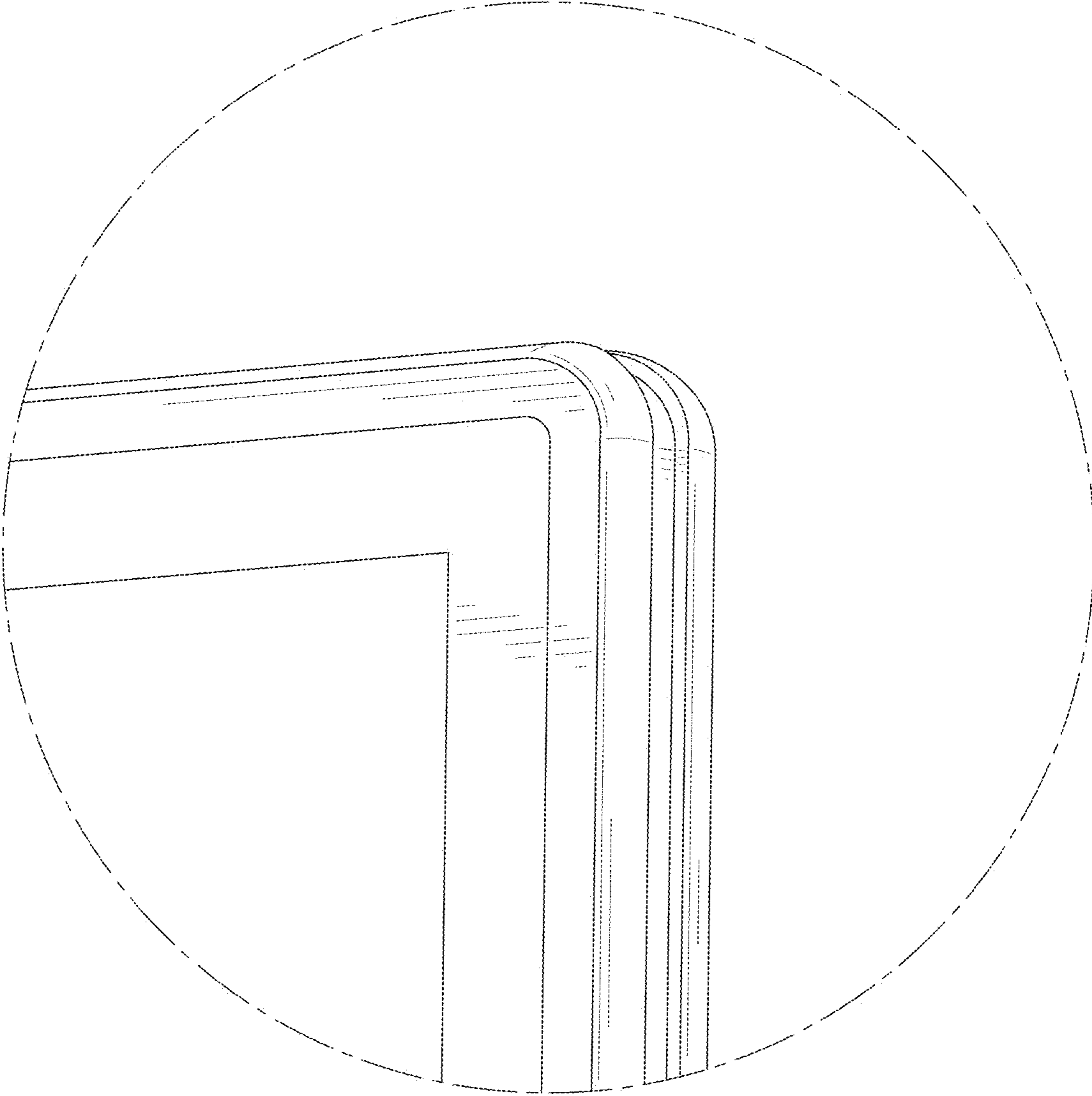


FIG. 10

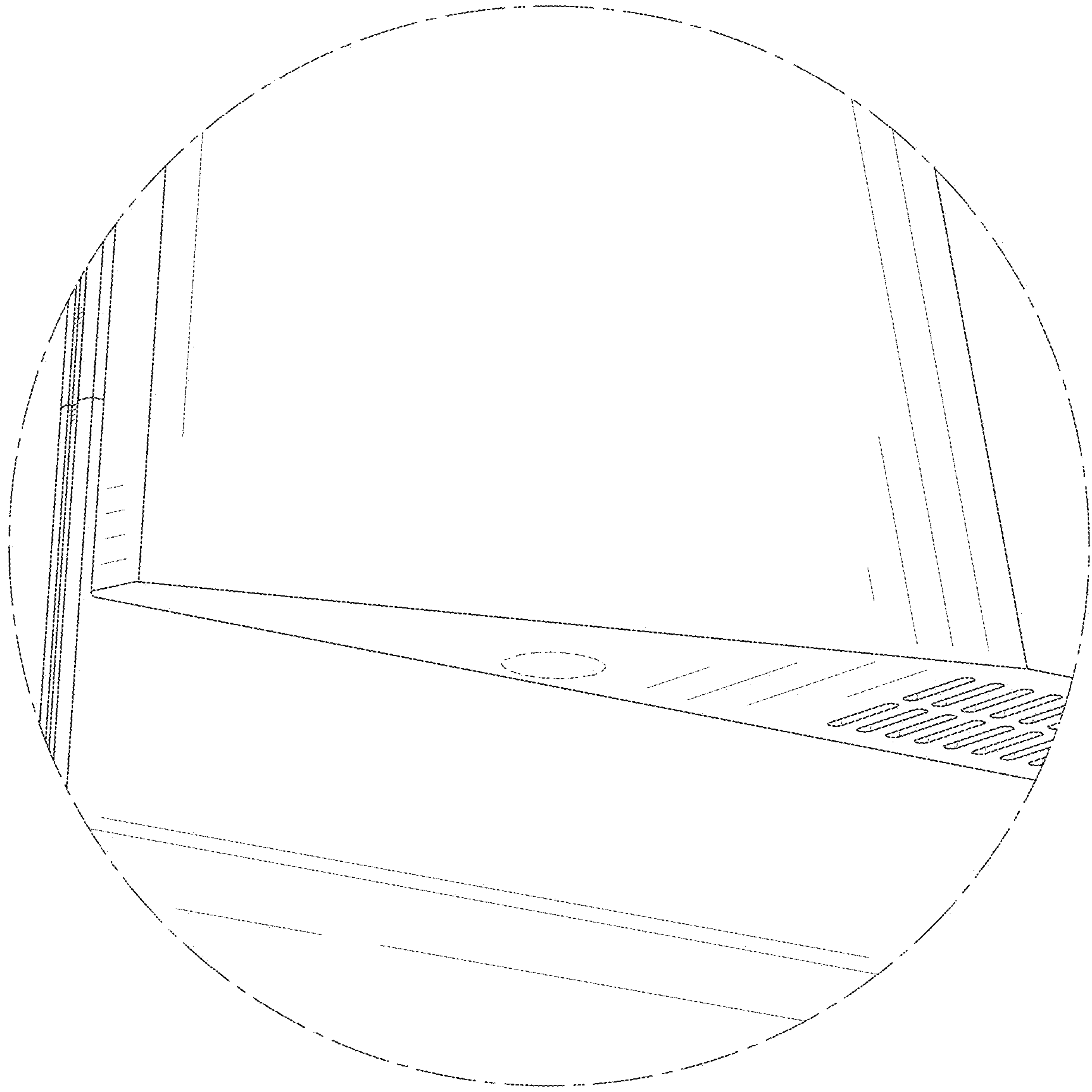


FIG. 11

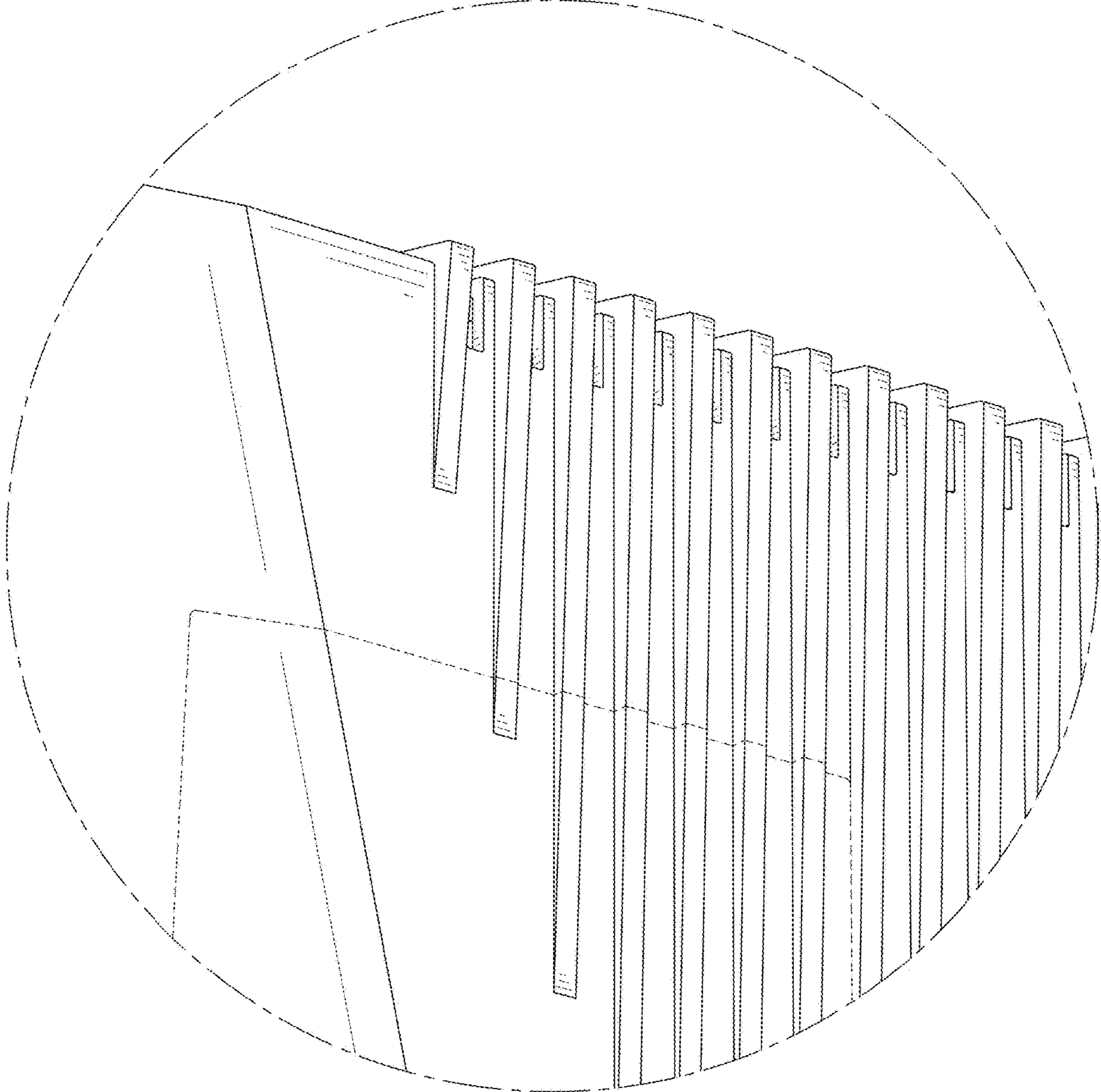


FIG. 12