



US00D875694S

(12) **United States Design Patent**
Crees et al.

(10) **Patent No.:** **US D875,694 S**

(45) **Date of Patent:** **** Feb. 18, 2020**

(54) **DISPLAY**

(71) Applicant: **FLIR Belgium BVBA**, Meer (BE)

(72) Inventors: **Andrew John Crees**, Portsmouth (GB);
Adam Murphy, Manchester, NH (US);
Antony Sharpe, Fareham (GB);
Christopher M. Woodward, London (GB)

(73) Assignee: **FLIR Belgium BVBA**, Meer (BE)

(**) Term: **15 Years**

(21) Appl. No.: **29/667,929**

(22) Filed: **Oct. 25, 2018**

(51) **LOC (12) Cl.** **14-03**

(52) **U.S. Cl.**

USPC **D14/126**

(58) **Field of Classification Search**

USPC D14/125-134, 239, 371, 136, 374-377,
D14/440, 450, 448, 336, 342, 159;
312/7.2; 348/836, 838, 180, 184, 325,
348/739; 248/917-924, 465; 345/104,
345/133, 156, 168, 87, 173; D21/329,
D21/515, 577, 622, 333, 433, 448, 452,
D21/450, 331, 505; D10/15, 26;
446/484, 175, 356; D6/477, 479, 300;
D24/185; D34/14

CPC ... G06F 1/1601; G06F 1/1643; H05K 5/0004;
H05K 5/0017; H05K 5/02; H05K 5/0217

See application file for complete search history.

(56) **References Cited**

U.S. PATENT DOCUMENTS

D661,331 S 6/2012 Woodward et al.
D685,836 S 7/2013 French et al.

D697,121 S 1/2014 Lepore et al.
D740,243 S * 10/2015 Bieler D14/126
D741,730 S 10/2015 Crees et al.
D742,858 S * 11/2015 Morisawa D14/218
D749,437 S 2/2016 Crees et al.
D753,077 S * 4/2016 Margis D14/126
D762,644 S * 8/2016 Maffetone D14/371

* cited by examiner

Primary Examiner — Randall H Gholson

(74) *Attorney, Agent, or Firm* — Haynes and Boone, LLP

(57) **CLAIM**

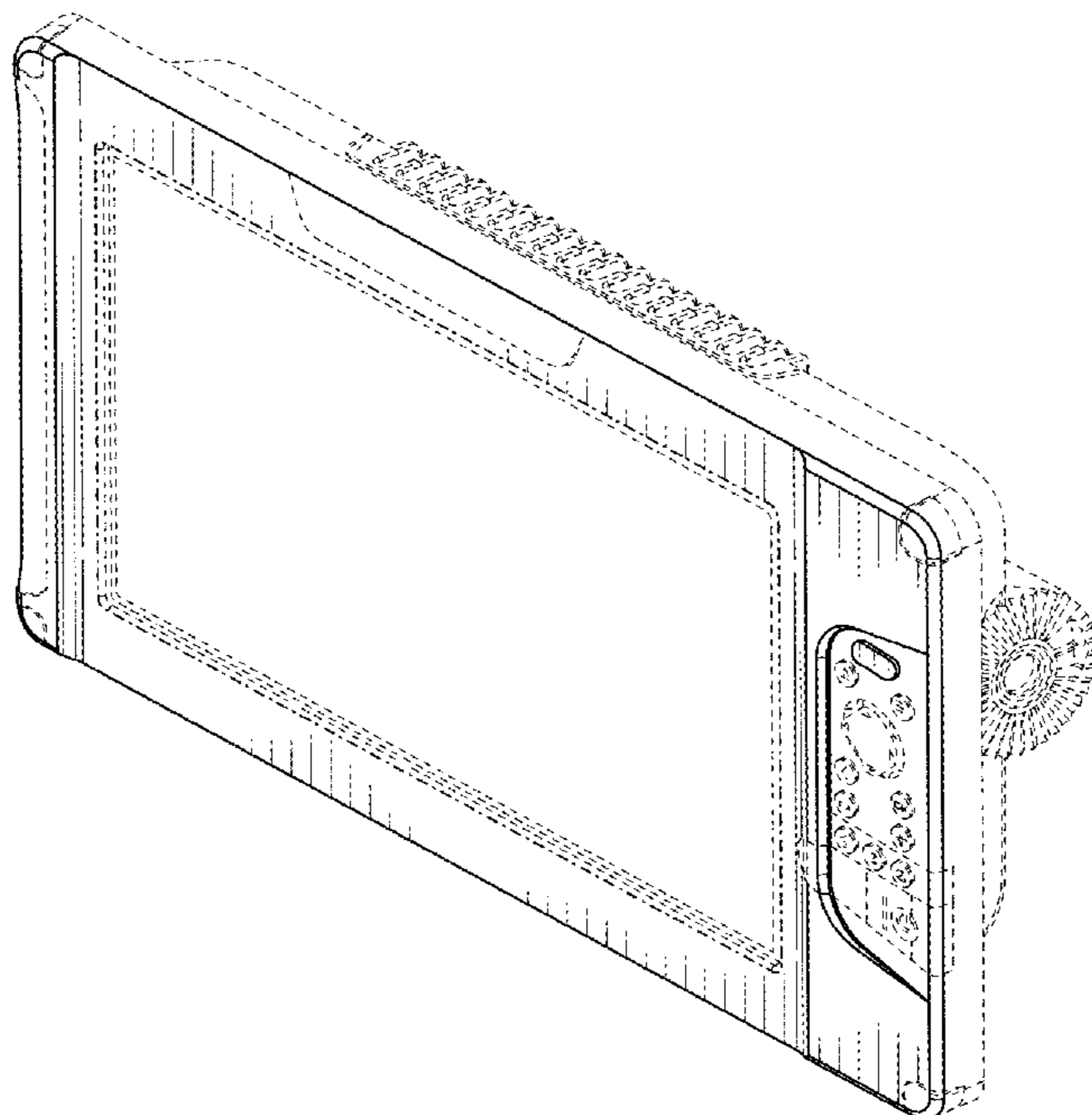
The ornamental design for a display, as shown and described.

DESCRIPTION

FIG. 1 is a front, left, and top perspective view of a display embodying the new design;
FIG. 2 is a rear, right, and bottom perspective view thereof;
FIG. 3 is a front elevational view thereof;
FIG. 4 is a rear elevational view thereof;
FIG. 5 is a right side view thereof;
FIG. 6 is a left side view thereof;
FIG. 7 is a top plan view thereof;
FIG. 8 is a bottom plan view thereof;
FIG. 9 is a front, left, and top perspective view thereof with an optional display stand attached to the display;
FIG. 10 is a rear, right, and bottom perspective view thereof with the optional display stand; and,
FIG. 11 is a front, left, and top perspective view thereof with the optional display stand, and further with a user interface button having an orange color.

The broken line showing of an optional display stand described in FIGS. 9-11 is not claimed.

1 Claim, 7 Drawing Sheets



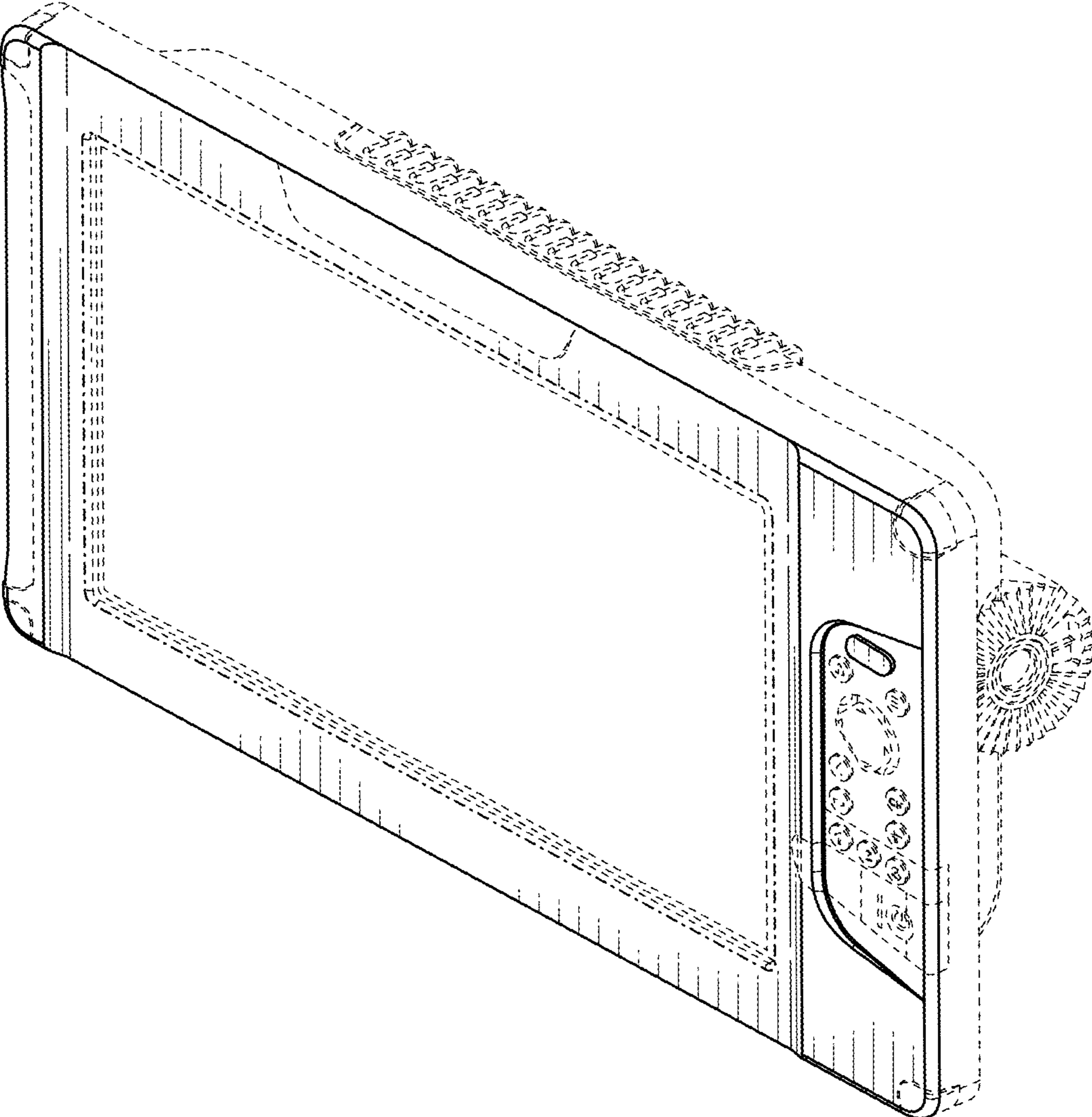


FIG. 1

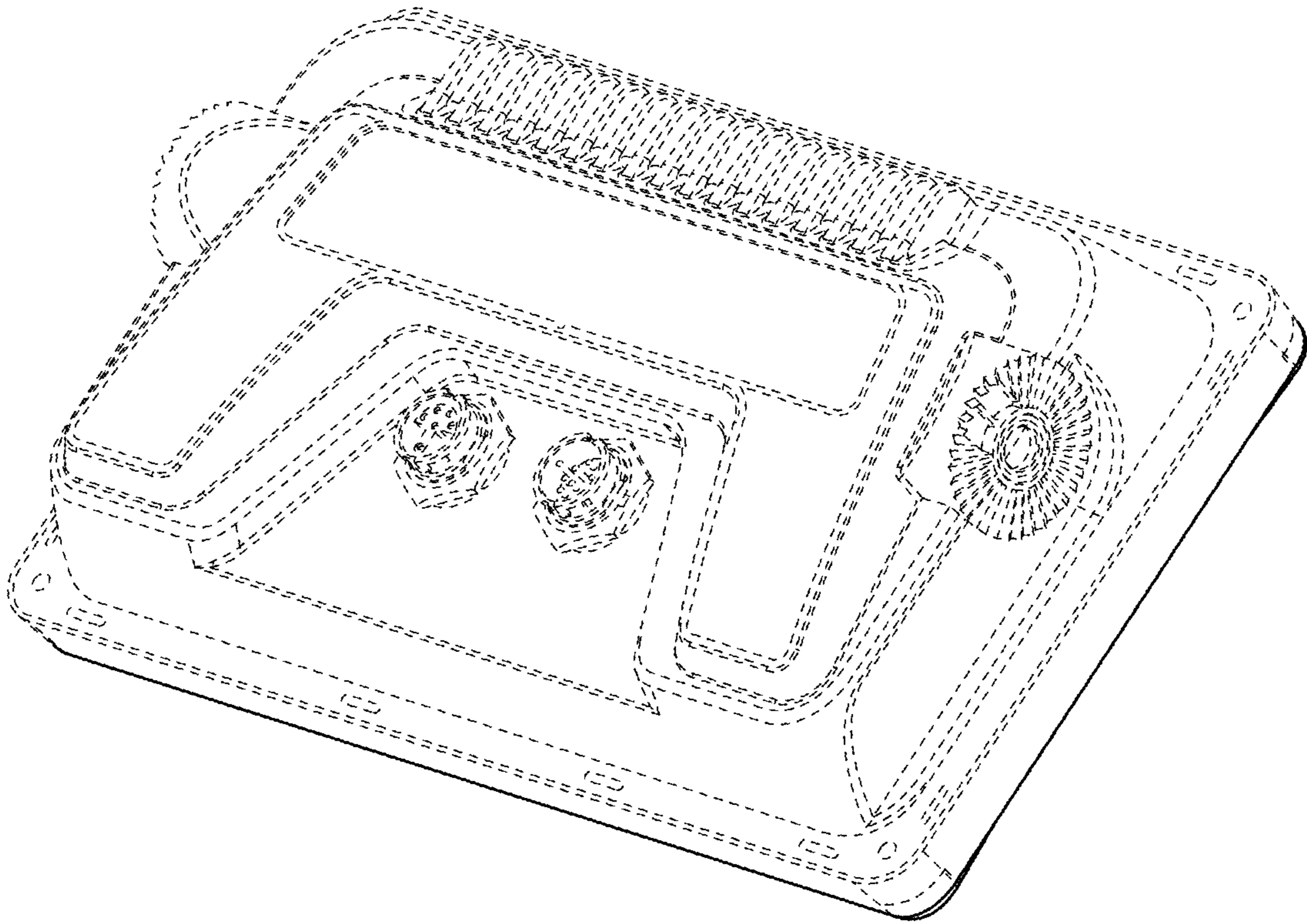


FIG. 2

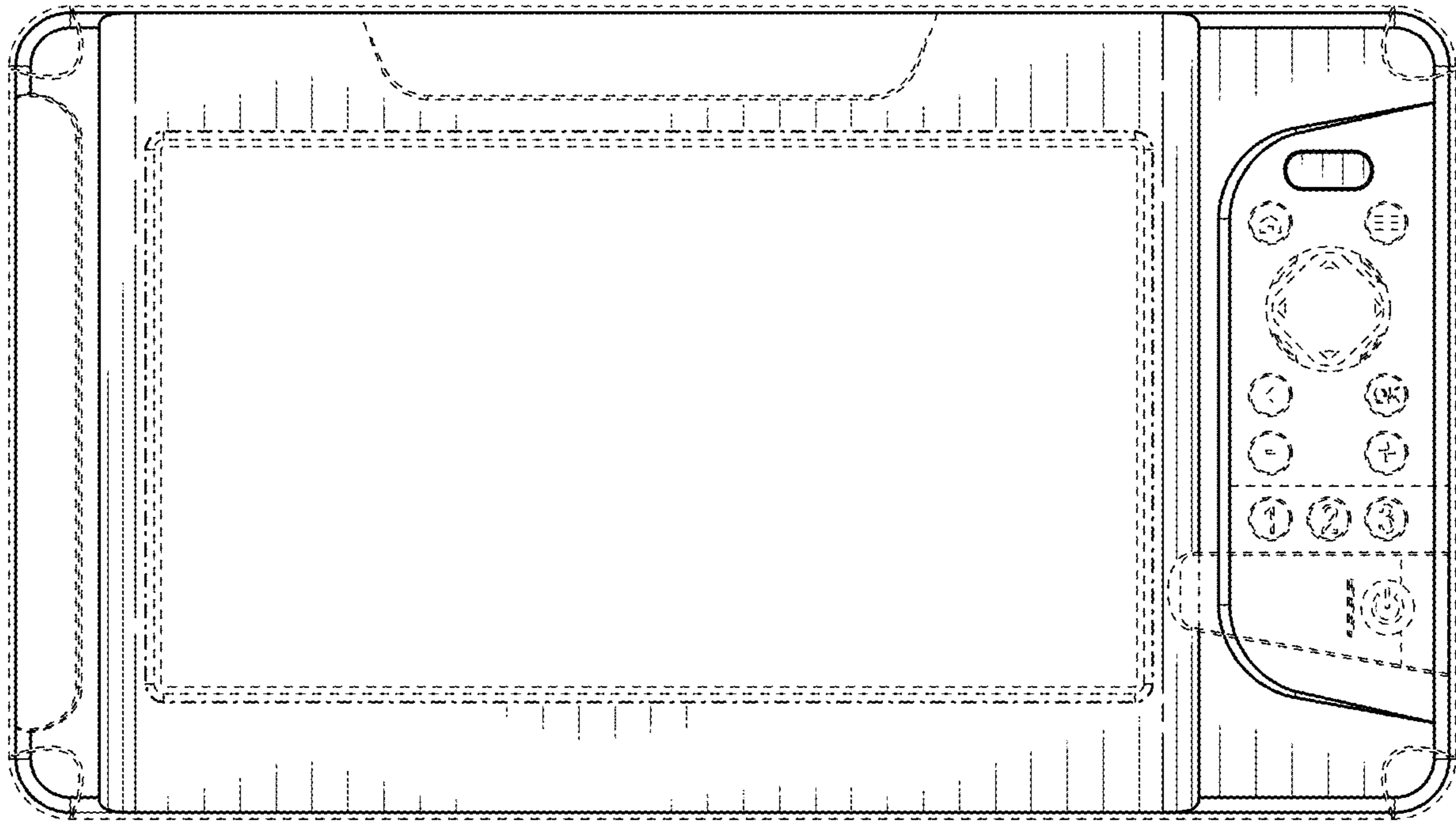


FIG. 3

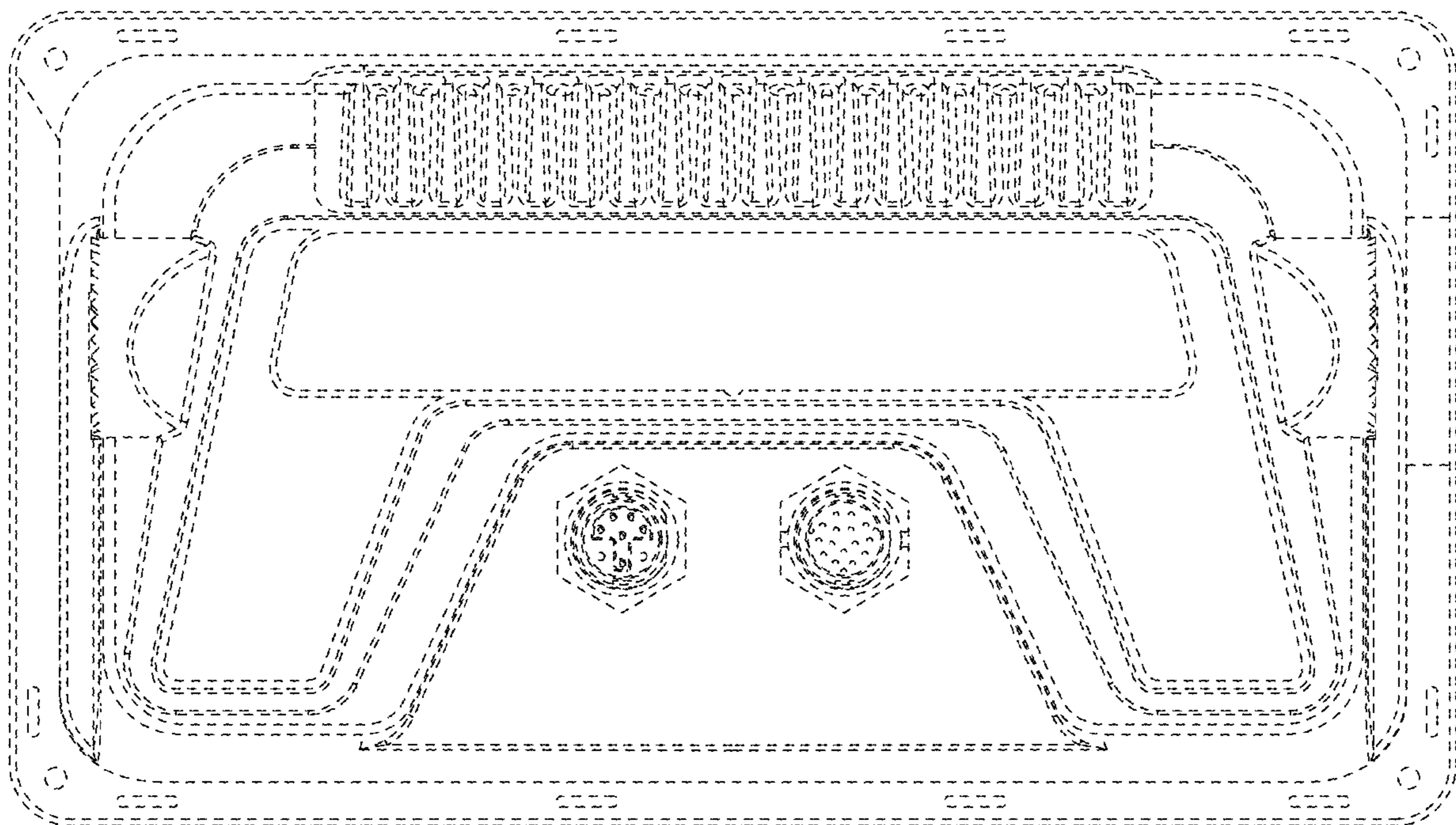


FIG. 4

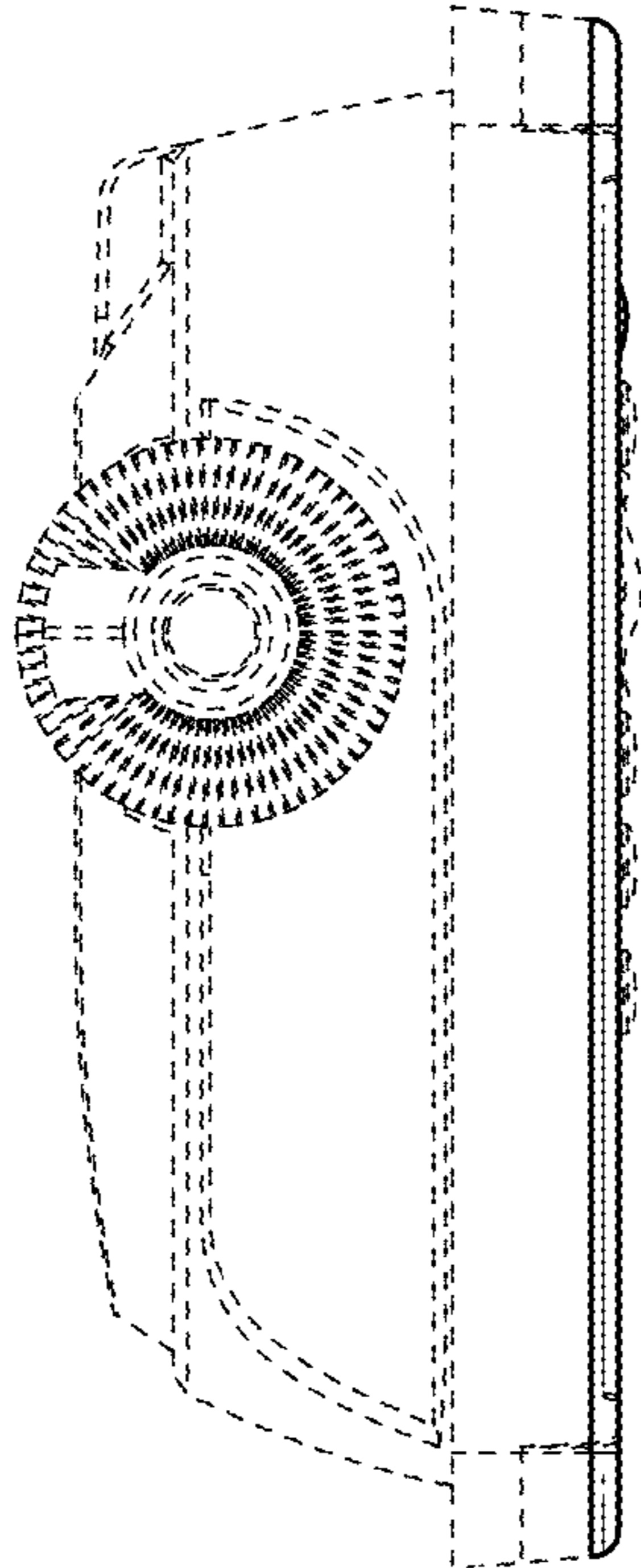


FIG. 5

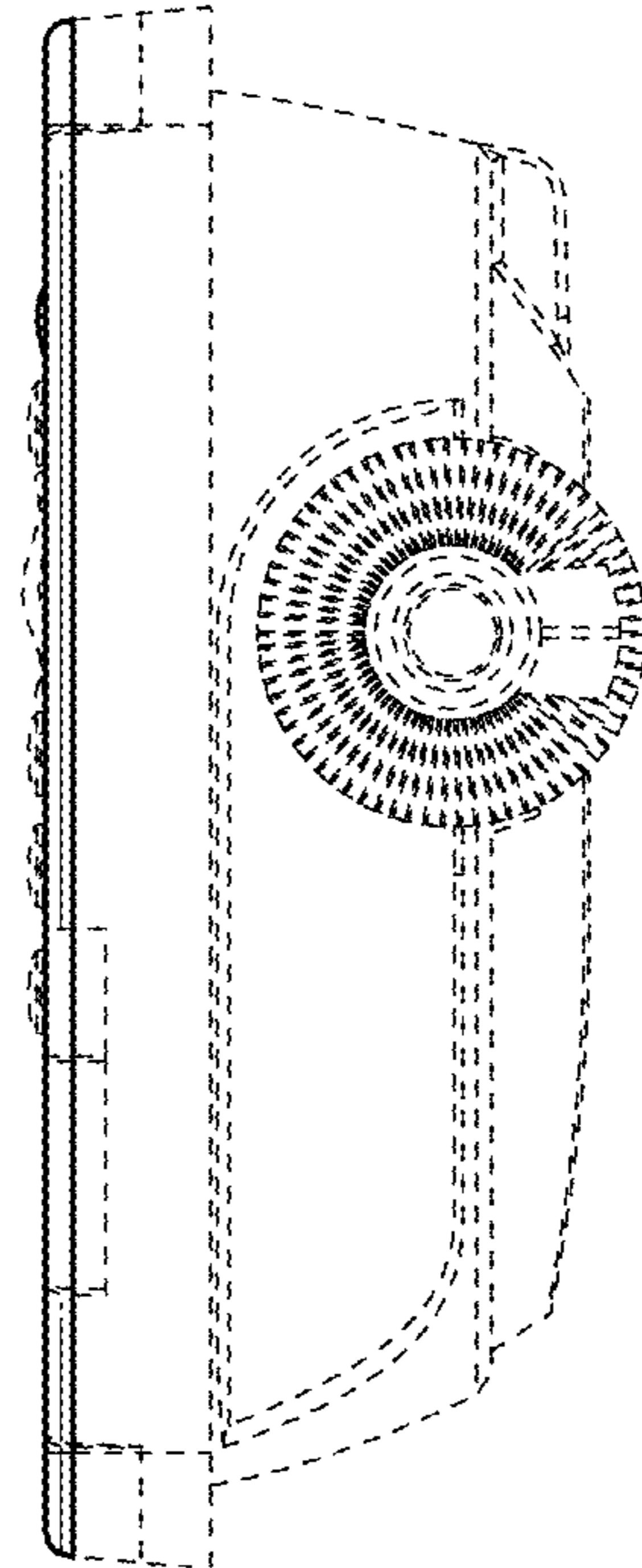


FIG. 6

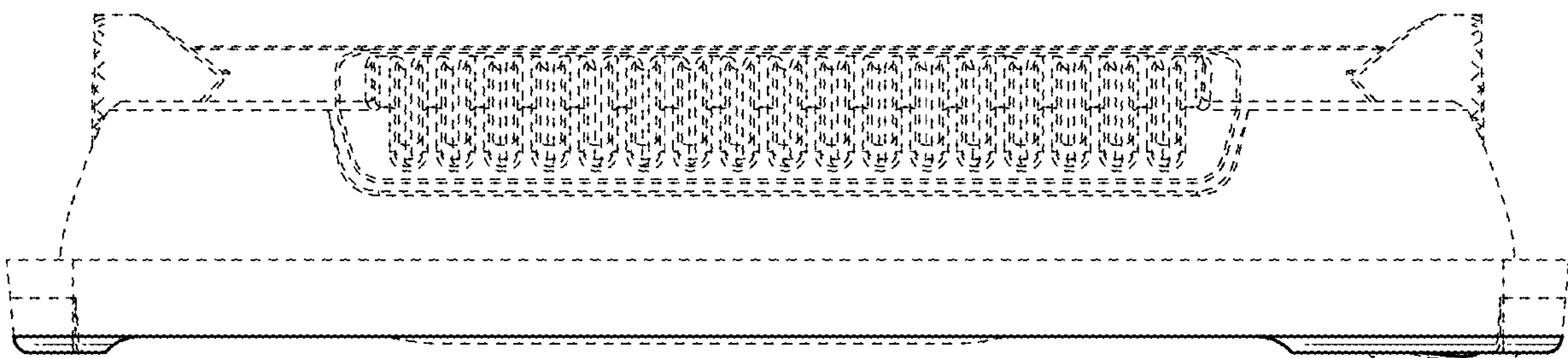


FIG. 7

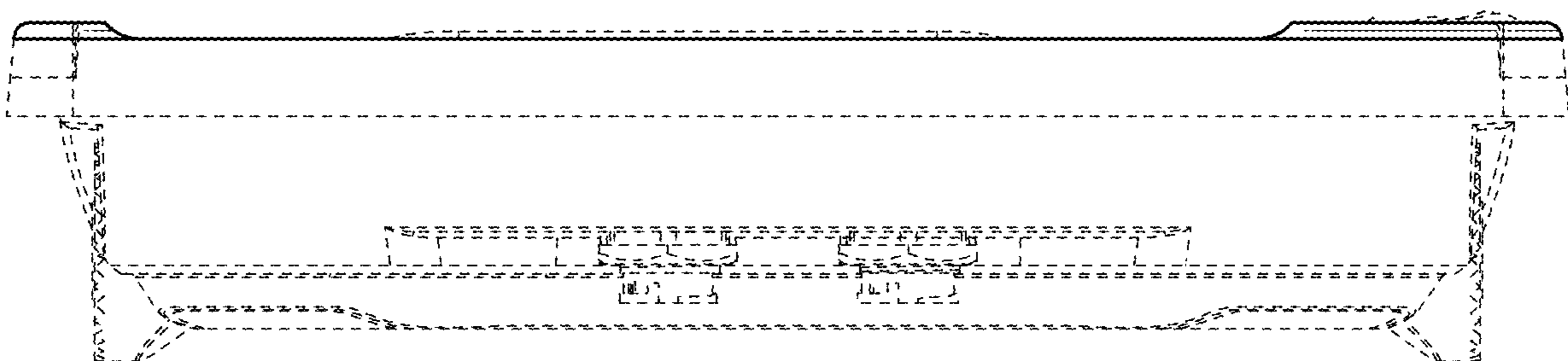


FIG. 8

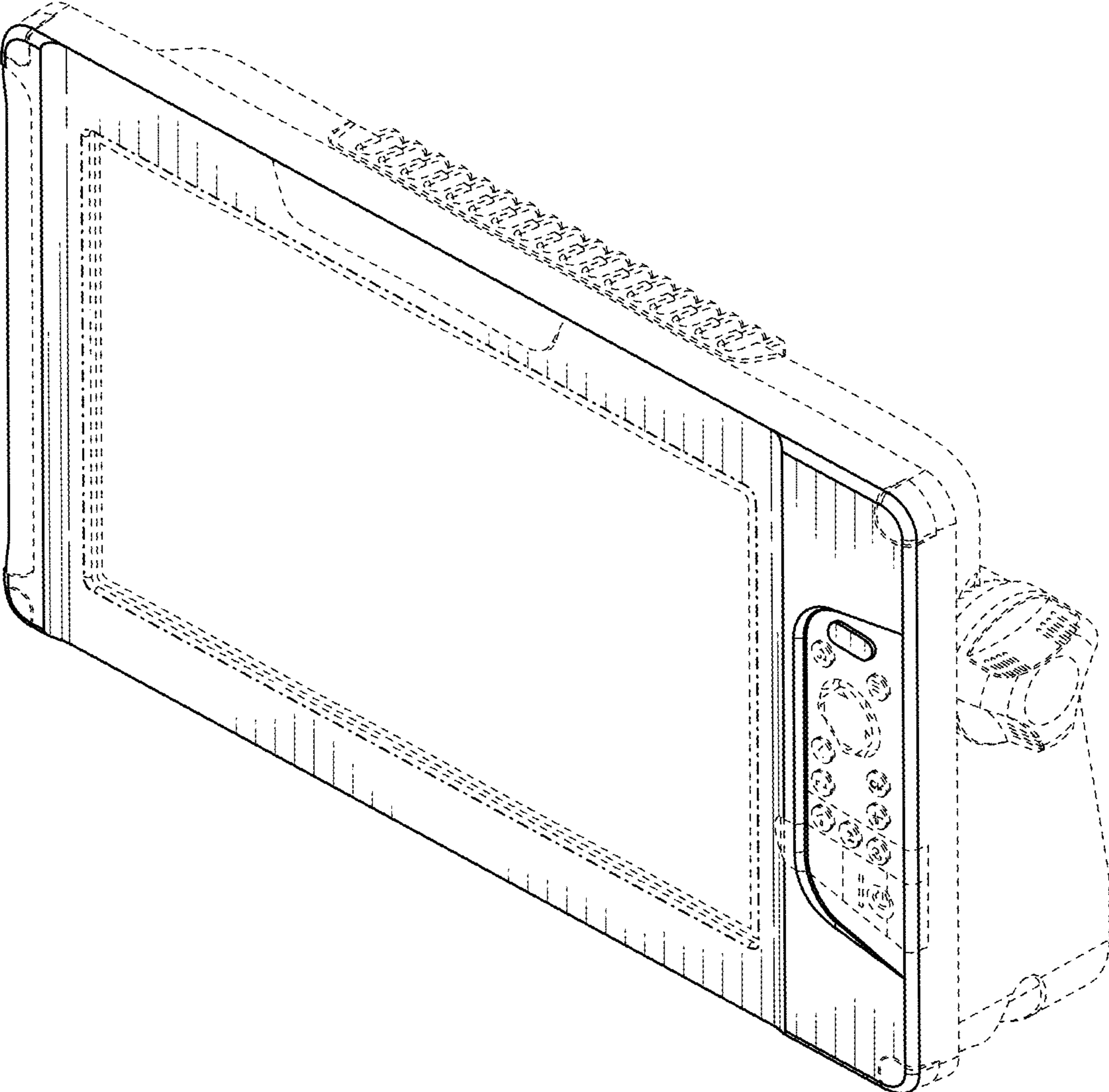


FIG. 9

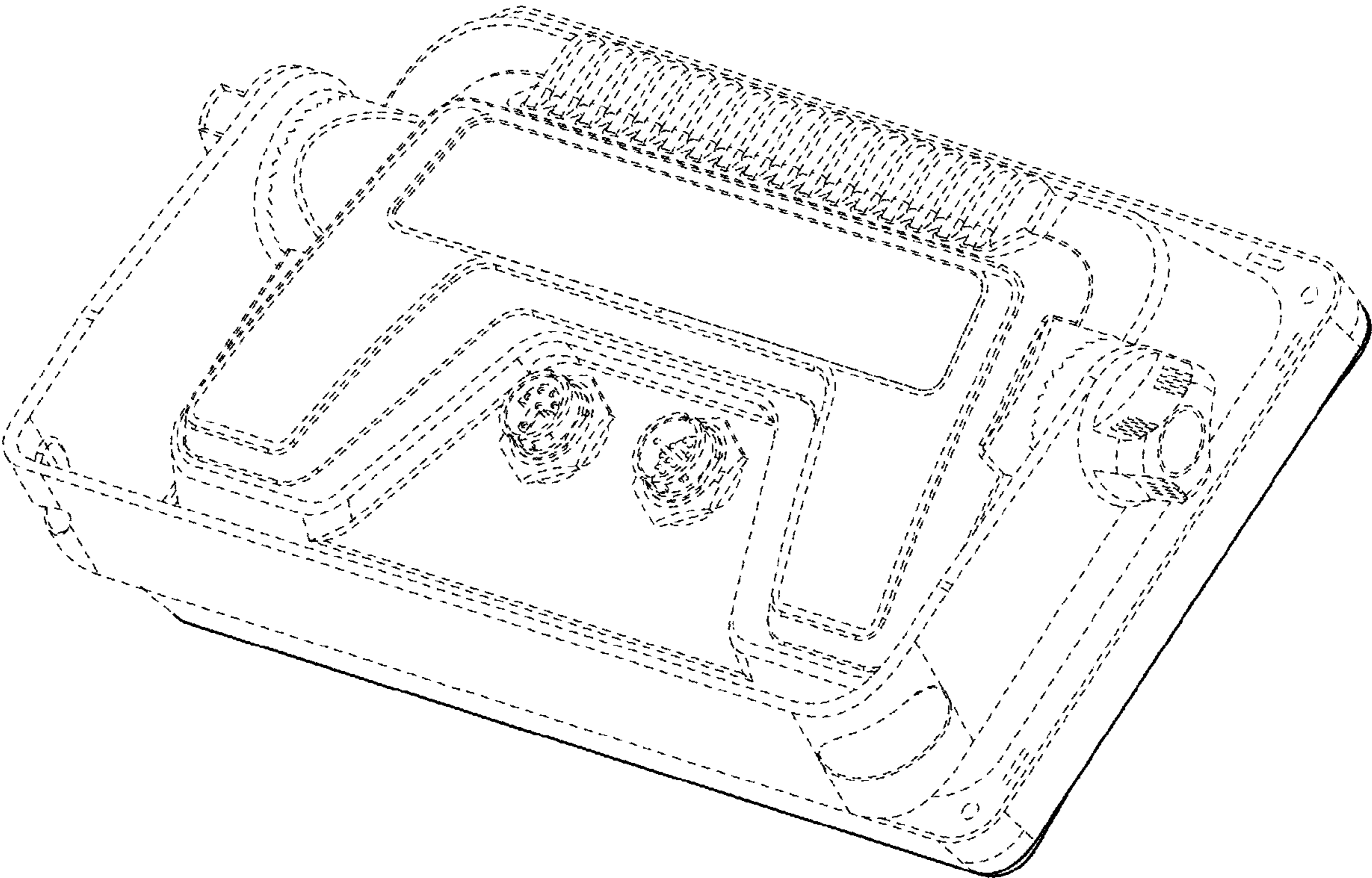


FIG. 10

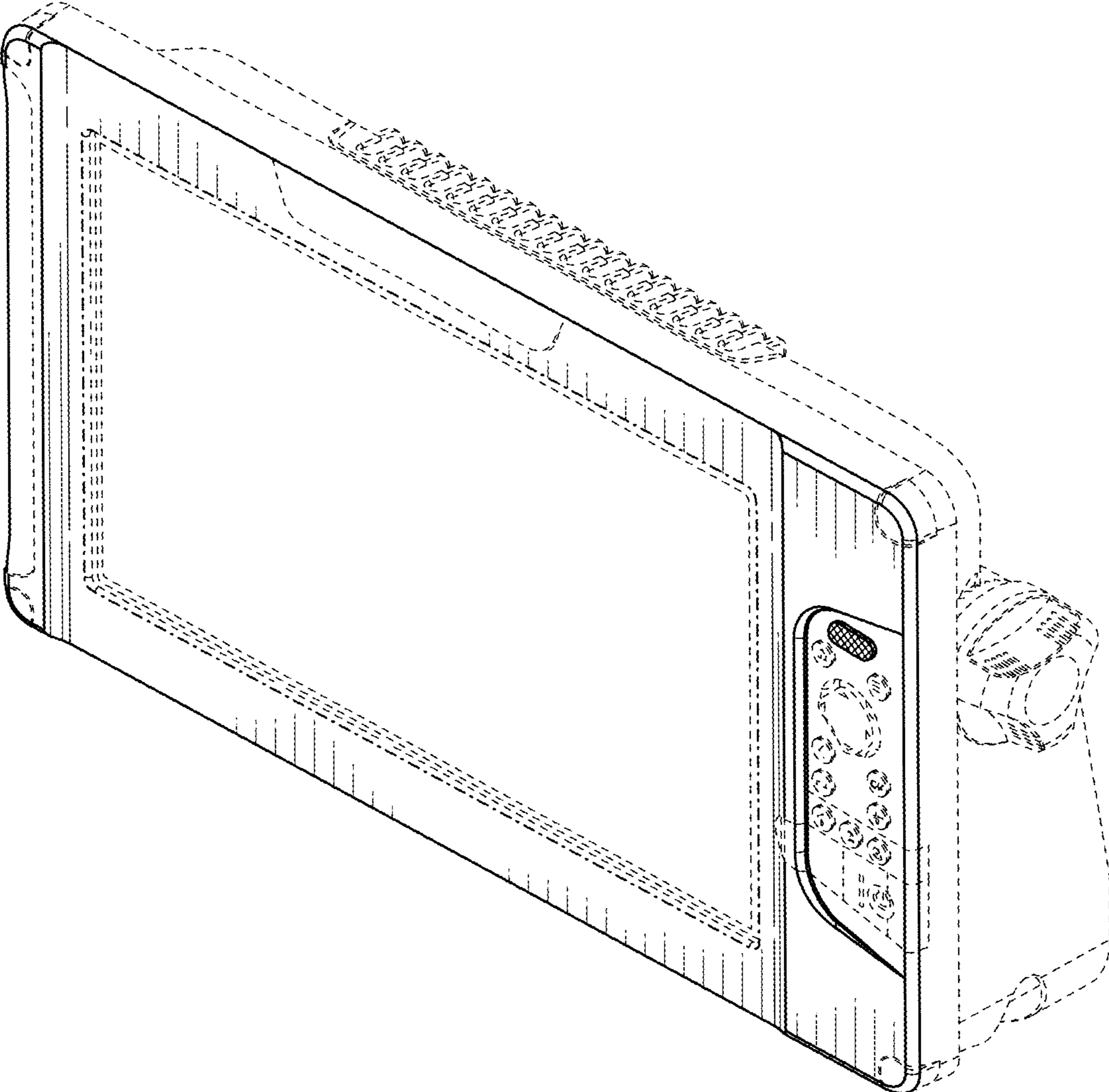


FIG. 11