



US00D875693S

(12) **United States Design Patent**
Gassner

(10) **Patent No.:** **US D875,693 S**
(45) **Date of Patent:** **** Feb. 18, 2020**

(54) **HAND CONTROLLER**
(71) Applicant: **limoss (Dongguan) Co., Ltd.**,
Dongguan, Guangdong Province (CN)
(72) Inventor: **Christian Gassner**, Guangdong (CN)
(73) Assignee: **limoss (Dongguan) Co., Ltd.**,
Dongguan (CN)
(**) Term: **15 Years**
(21) Appl. No.: **29/668,140**
(22) Filed: **Oct. 28, 2018**

(30) **Foreign Application Priority Data**
Jul. 18, 2018 (CN) 2018 3 0389344
(51) **LOC (12) Cl.** **13-03**
(52) **U.S. Cl.**
USPC **D13/171**
(58) **Field of Classification Search**
USPC D13/162, 171, 173, 174
CPC H01H 3/02; H01H 3/022; H01H 3/12;
H01H 3/122; H01H 9/02; H01H 9/0235;
H01H 13/023; H01H 13/04; H01H 13/06;
H01H 13/063; H01H 13/10; H01H 13/12;
H01H 13/14; H01H 13/36; H01H 13/64;
H01H 13/70; H01H 13/86; H01H 21/24;
H01H 25/065; H01H 23/00; A47C 7/506
See application file for complete search history.

(56) **References Cited**
U.S. PATENT DOCUMENTS
6,297,810 B1 * 10/2001 Anderson H01H 13/70
345/104
6,724,102 B1 * 4/2004 Kelwaski B60L 1/00
307/10.1

7,332,681 B2 * 2/2008 Wohlfart H01H 3/122
200/345
8,106,325 B2 * 1/2012 Laurent H01H 13/70
200/296
D689,825 S * 9/2013 Wenji D13/162
D733,652 S * 7/2015 Wenji D13/123
D740,763 S * 10/2015 Wenji D13/162
D764,420 S * 8/2016 Naka D13/171
D788,718 S * 6/2017 Tang D13/169
D813,179 S * 3/2018 Wu D13/169
2013/0026340 A1 * 1/2013 Kanamori H01H 13/06
250/200
2014/0306505 A1 * 10/2014 Koch H01H 9/0207
297/330
2015/0083564 A1 * 3/2015 Verd Martinez H01H 13/83
200/5 A

* cited by examiner

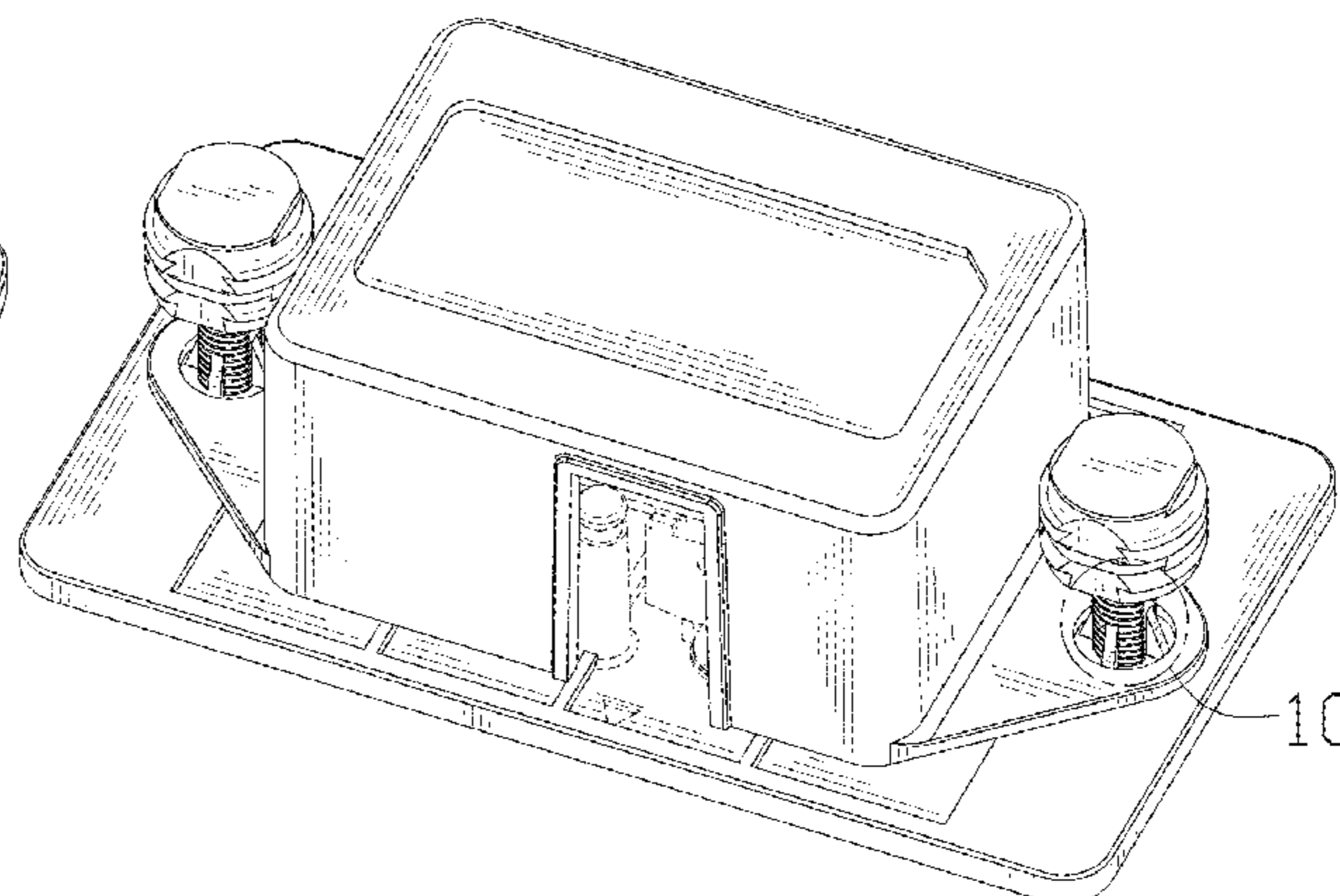
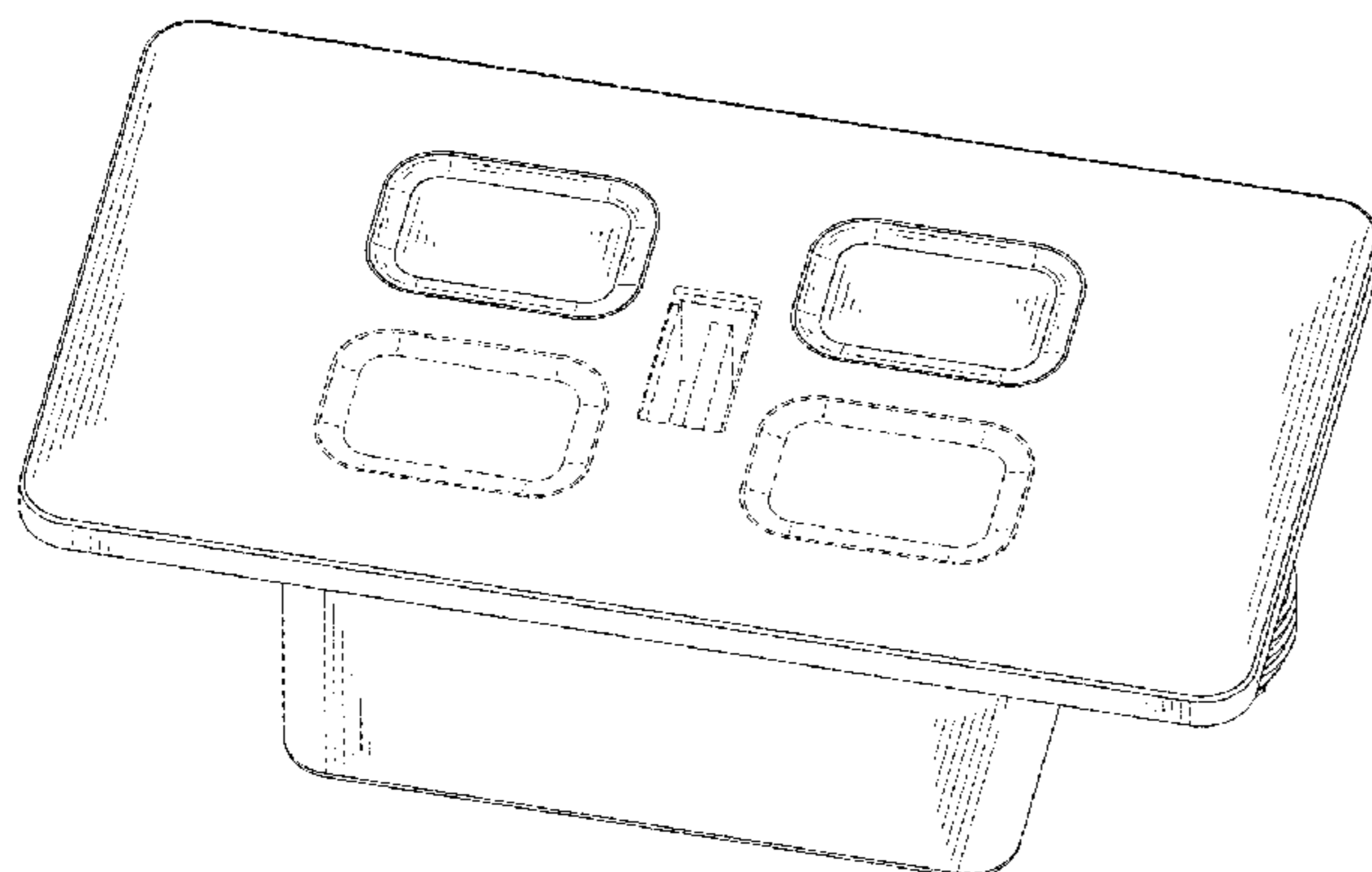
Primary Examiner — Selina Sikder

(57) **CLAIM**
The ornamental design for a hand controller, as shown and described.

DESCRIPTION

FIG. 1 is a front elevational view of a hand controller showing my new design;
FIG. 2 is a rear elevational view thereof;
FIG. 3 is a left side view thereof;
FIG. 4 is a right side view thereof;
FIG. 5 is a top plan view thereof;
FIG. 6 is a bottom plan view thereof;
FIG. 7 is a bottom, front and left side perspective view thereof;
FIG. 8 is a bottom, rear and right side perspective view thereof;
FIG. 9 is an enlarged view of portion 9 in FIG. 3; and,
FIG. 10 is an enlarged view of portion 10 in FIG. 8.
The broken lines in the drawings illustrate portions of the hand controller which form no part of the claimed design.

1 Claim, 10 Drawing Sheets



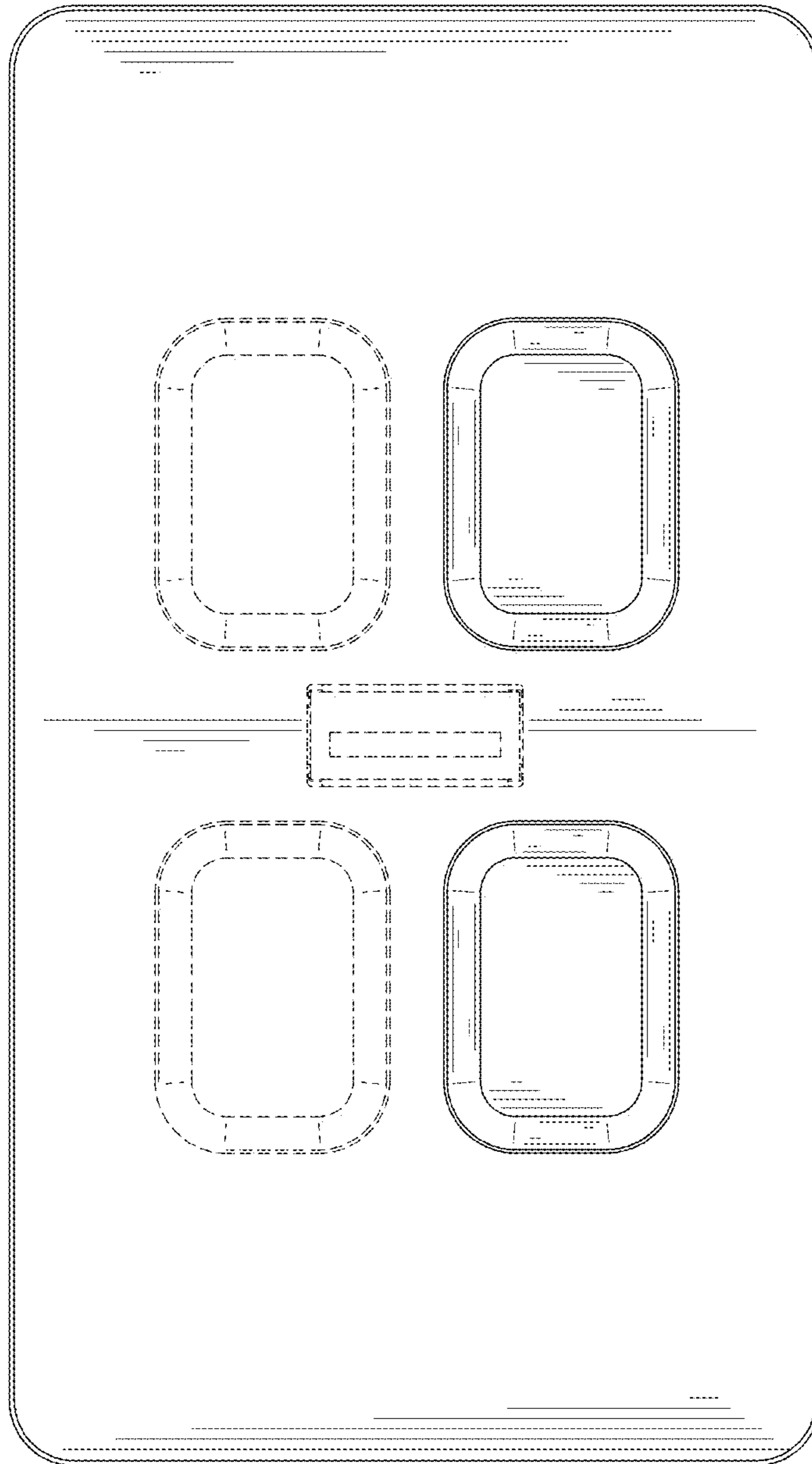


FIG. 1

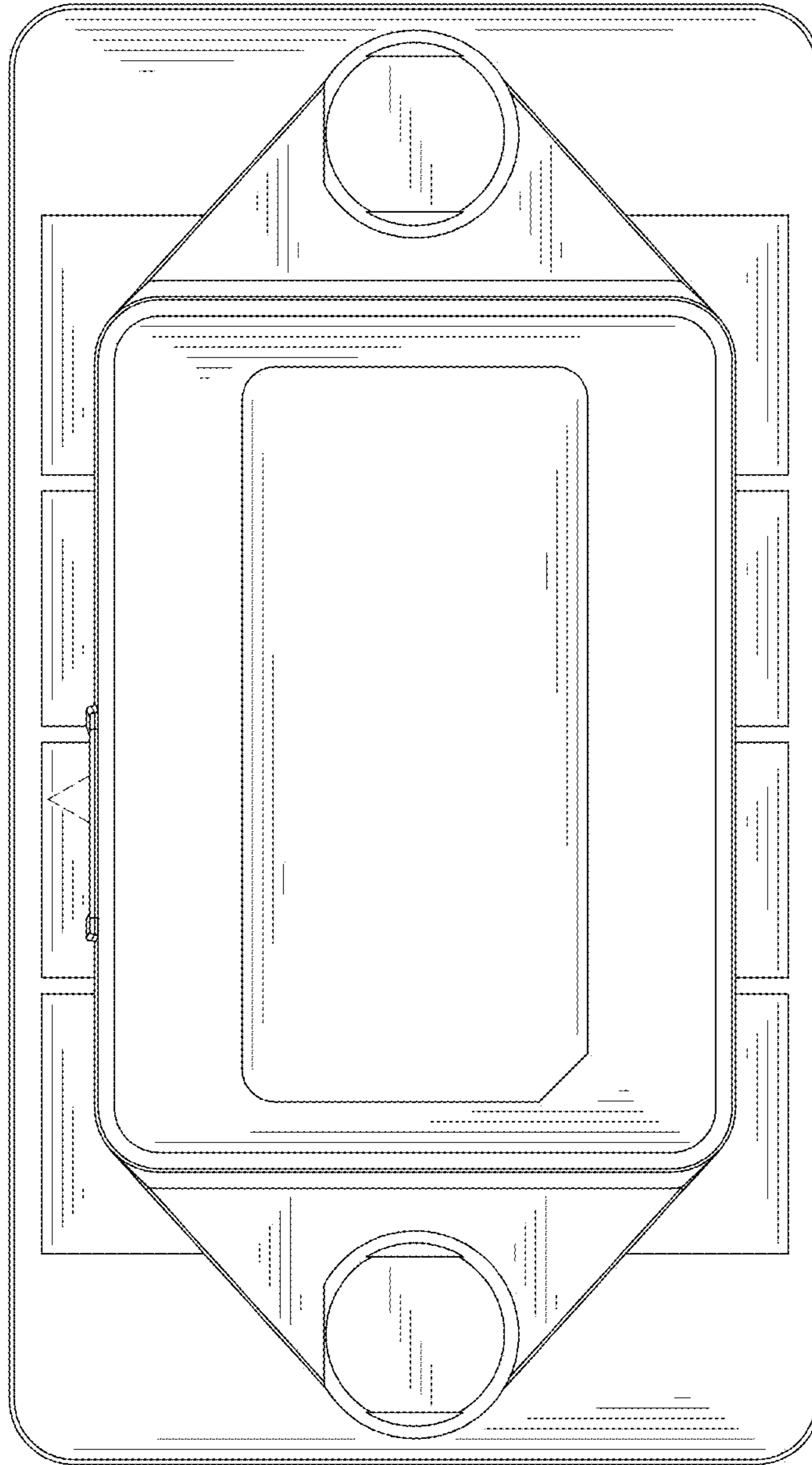


FIG. 2

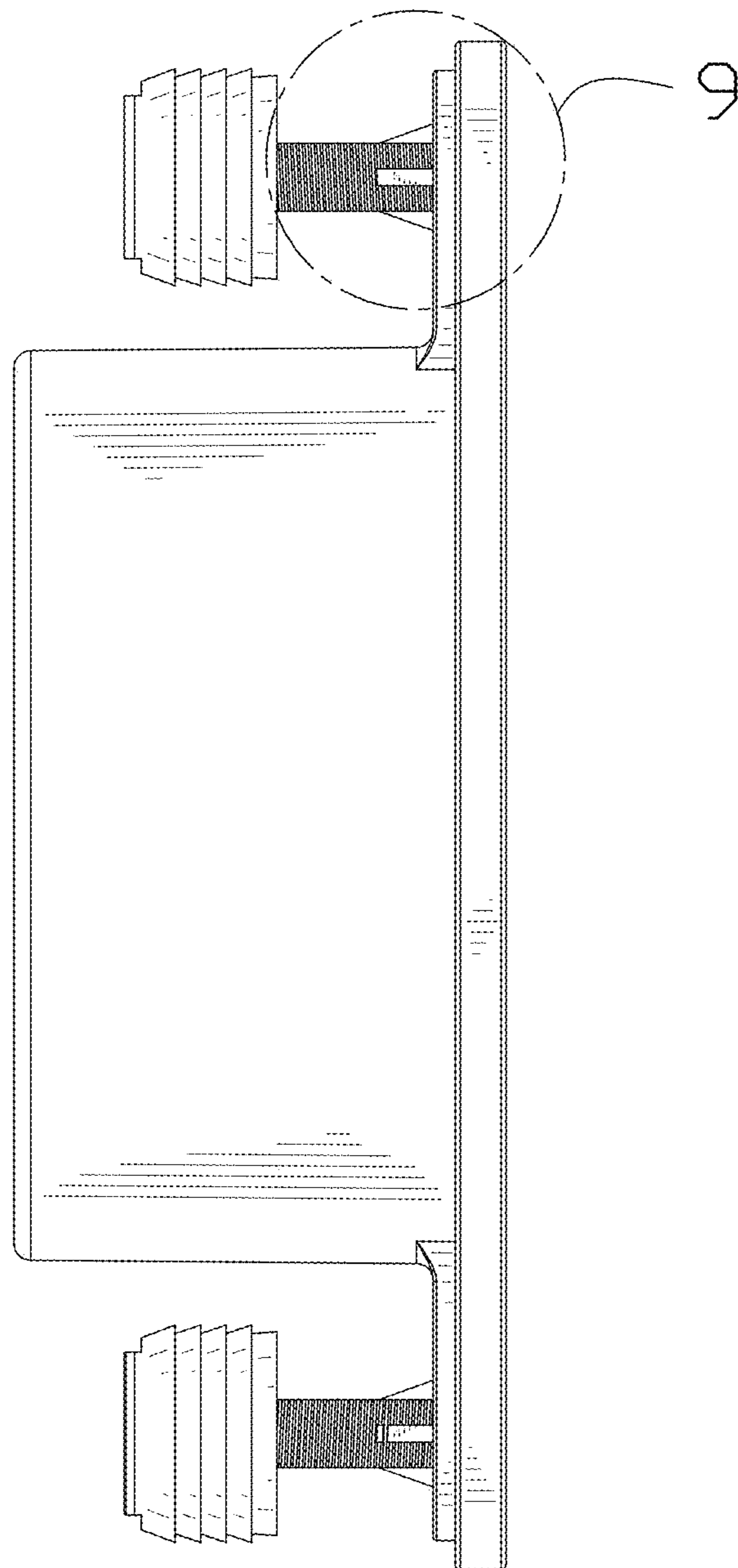


FIG. 3

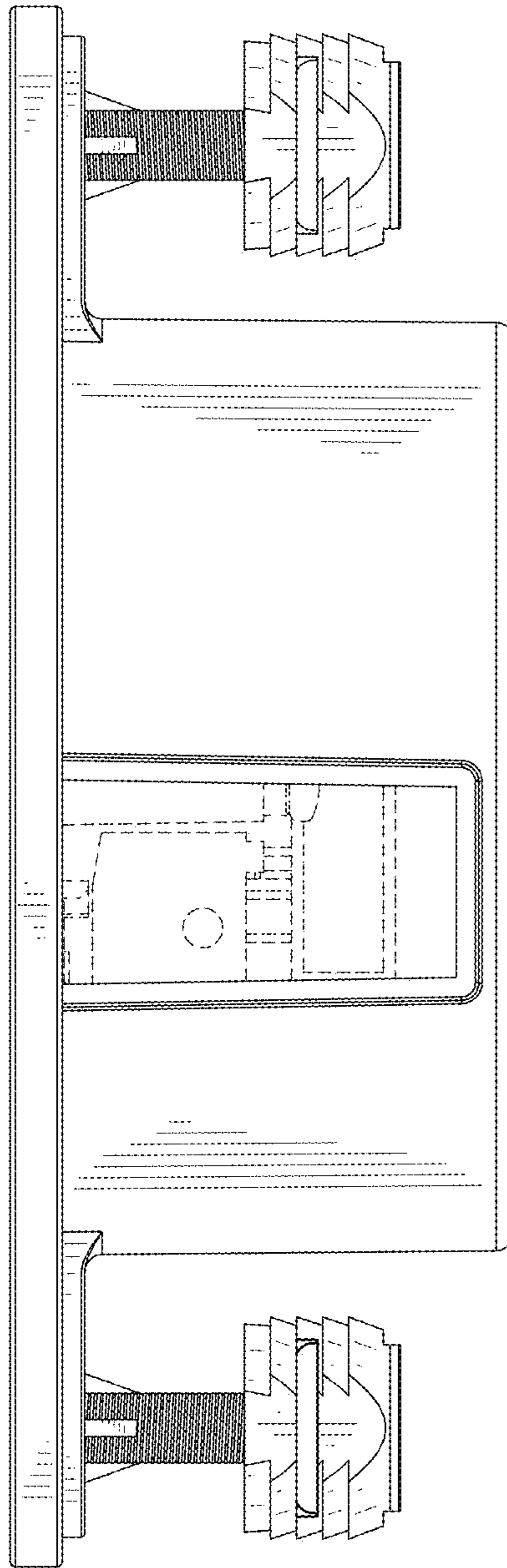


FIG. 4

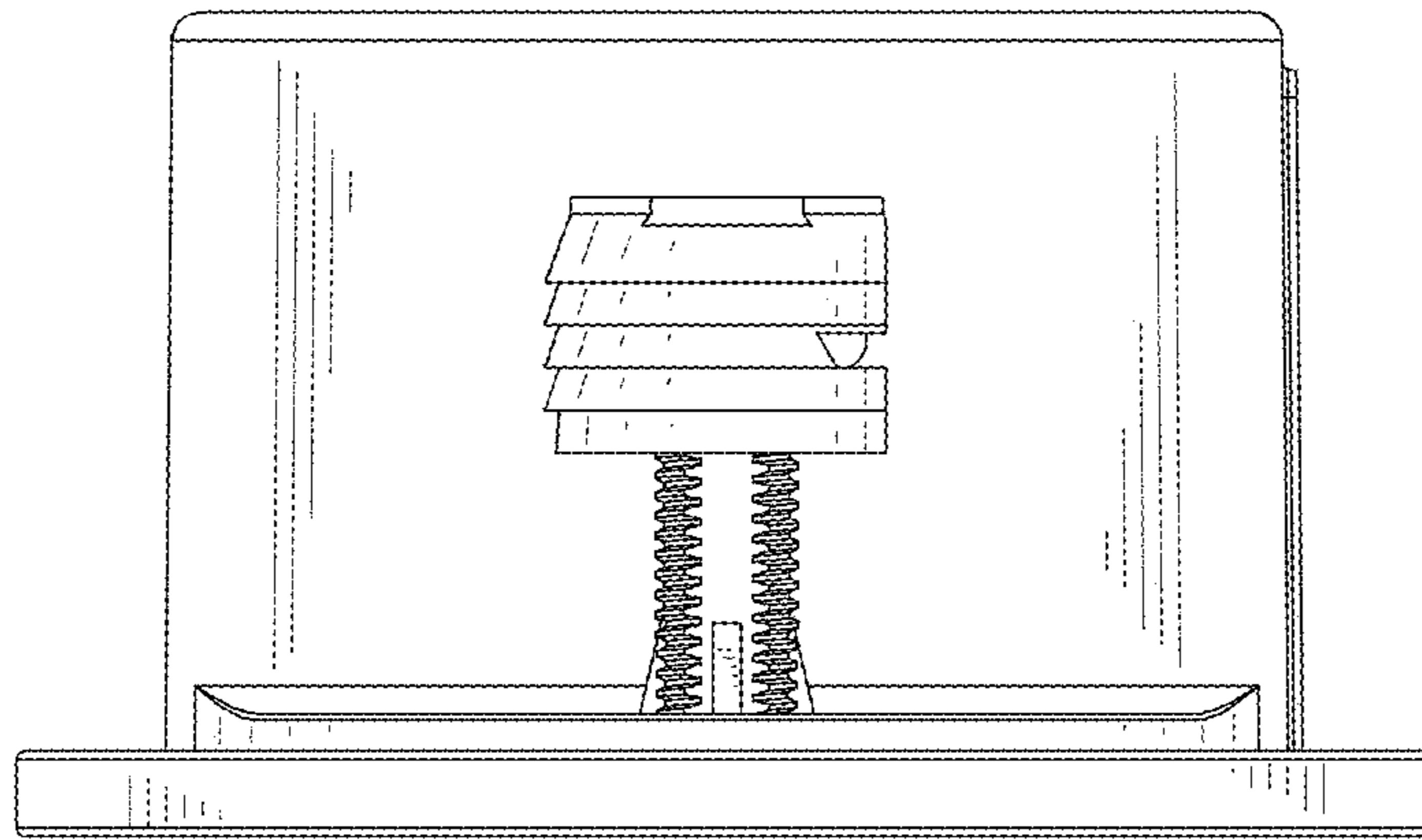


FIG. 5

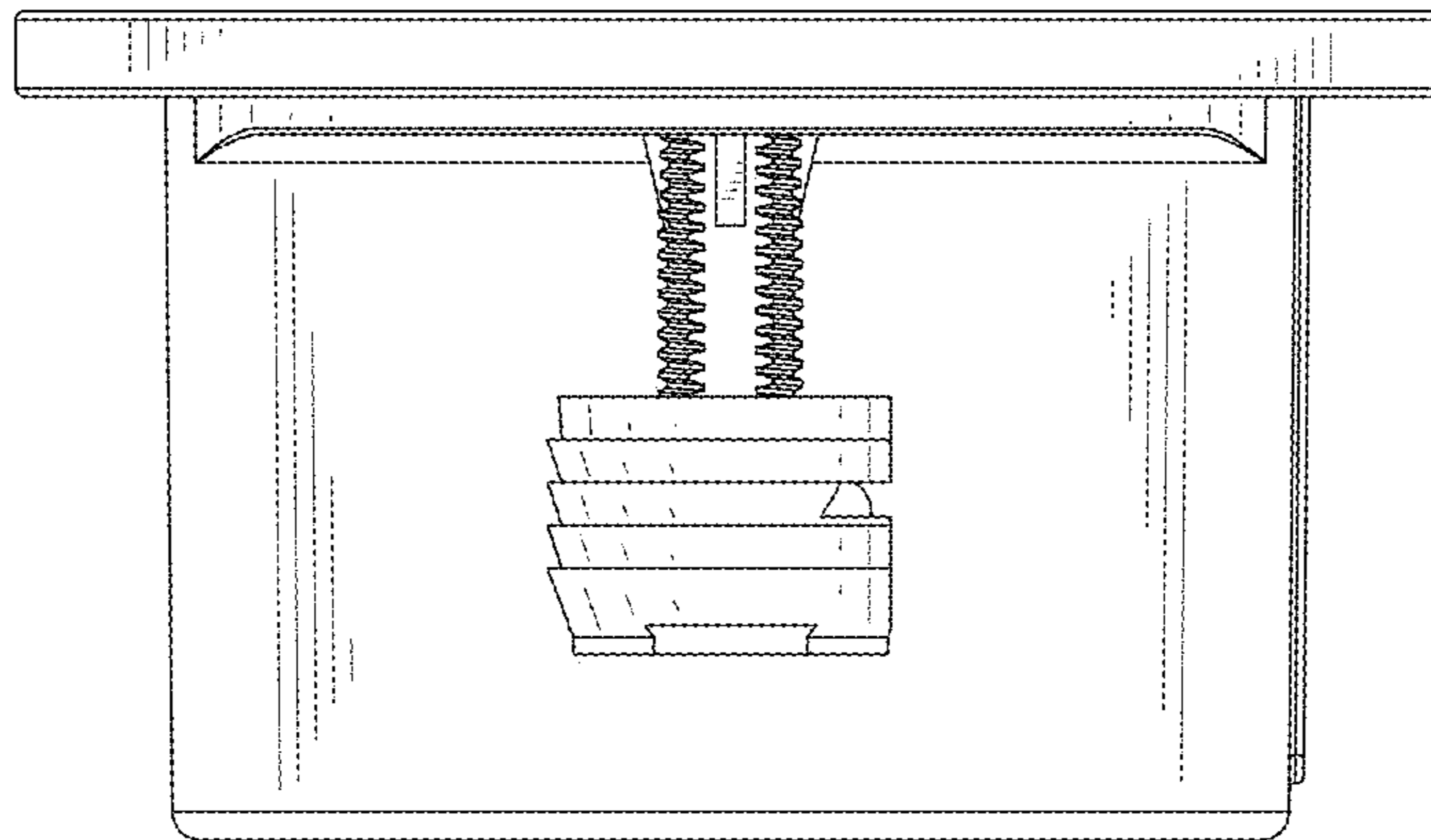


FIG. 6

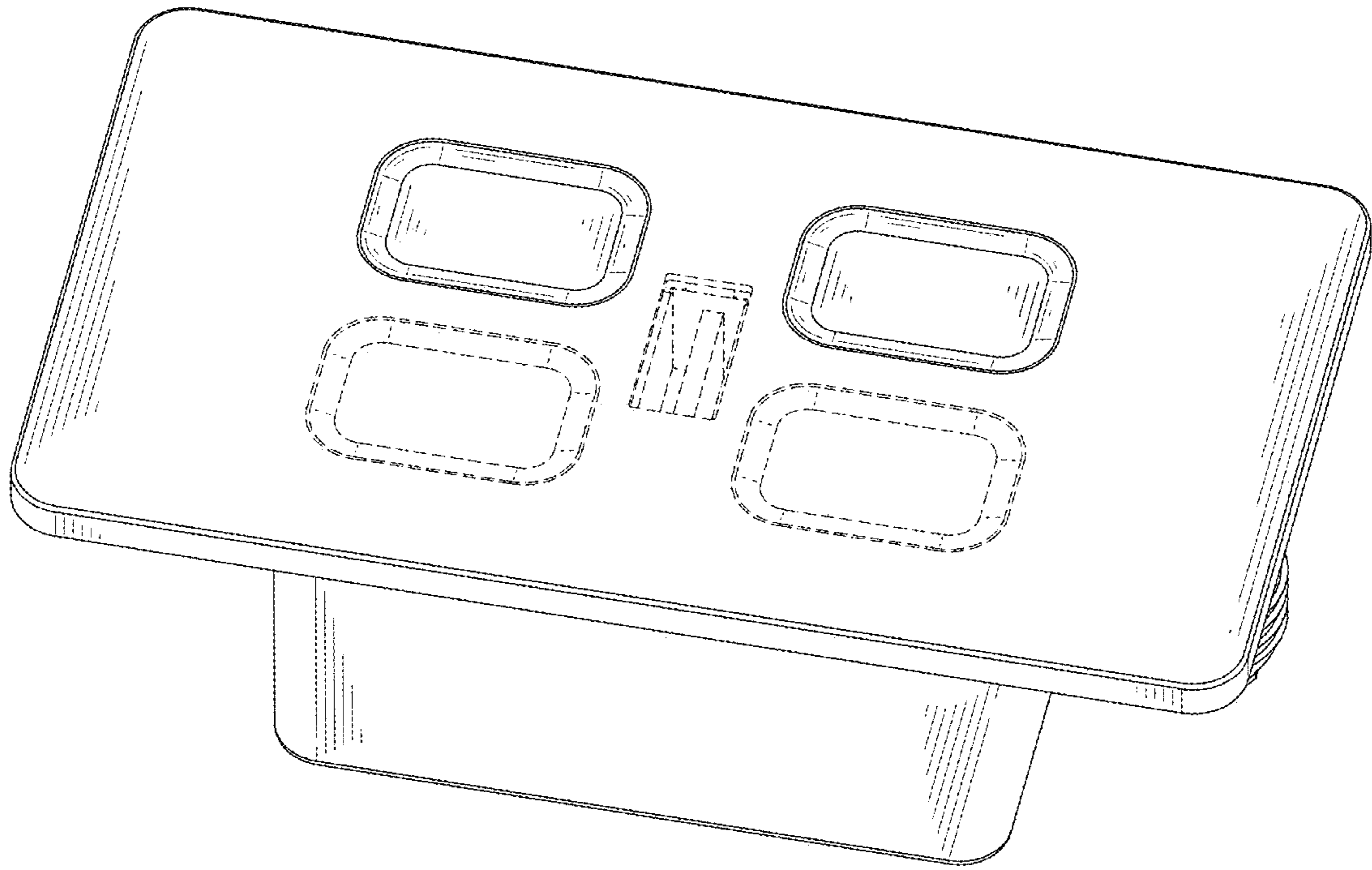


FIG. 7

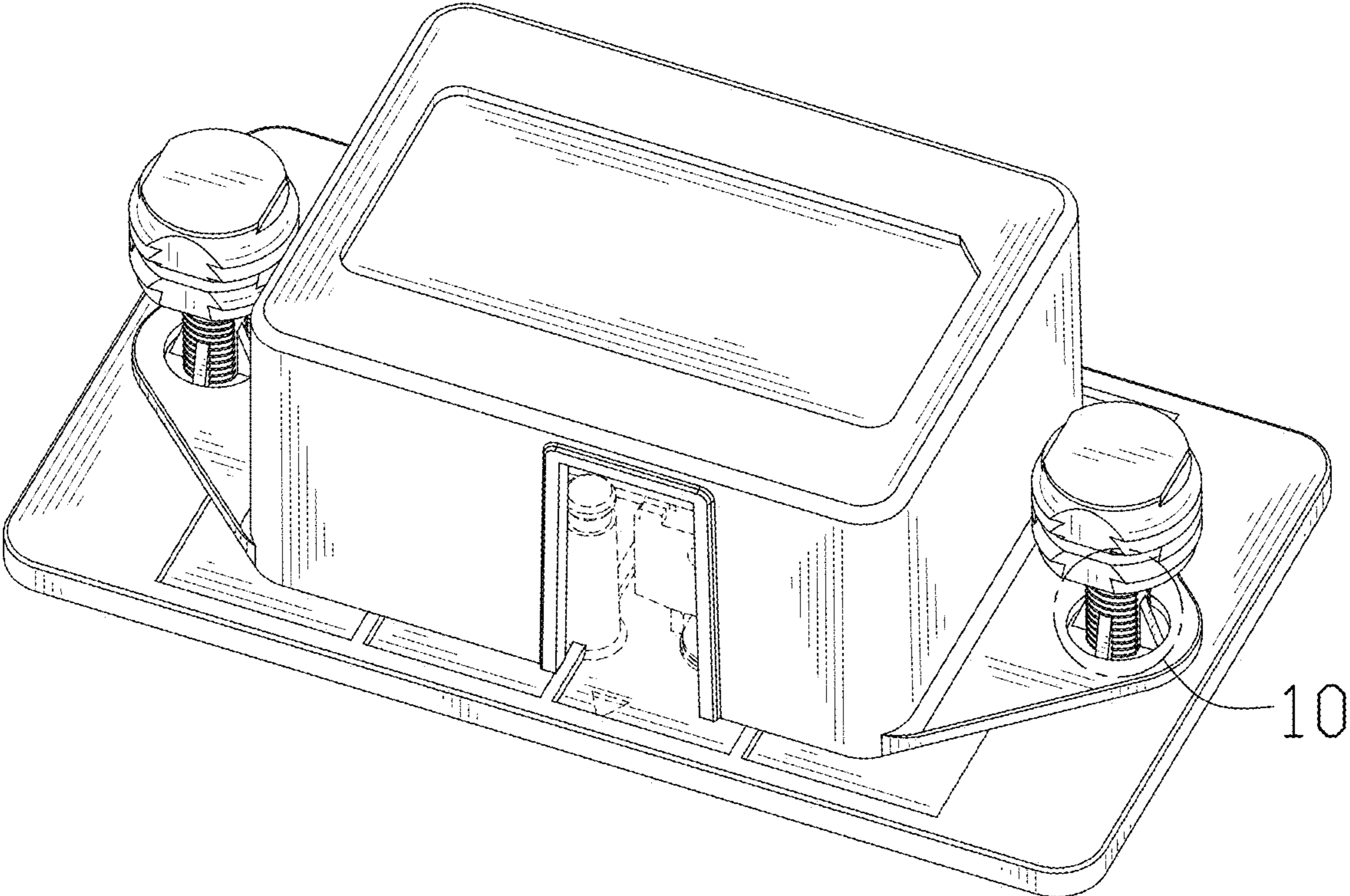


FIG. 8

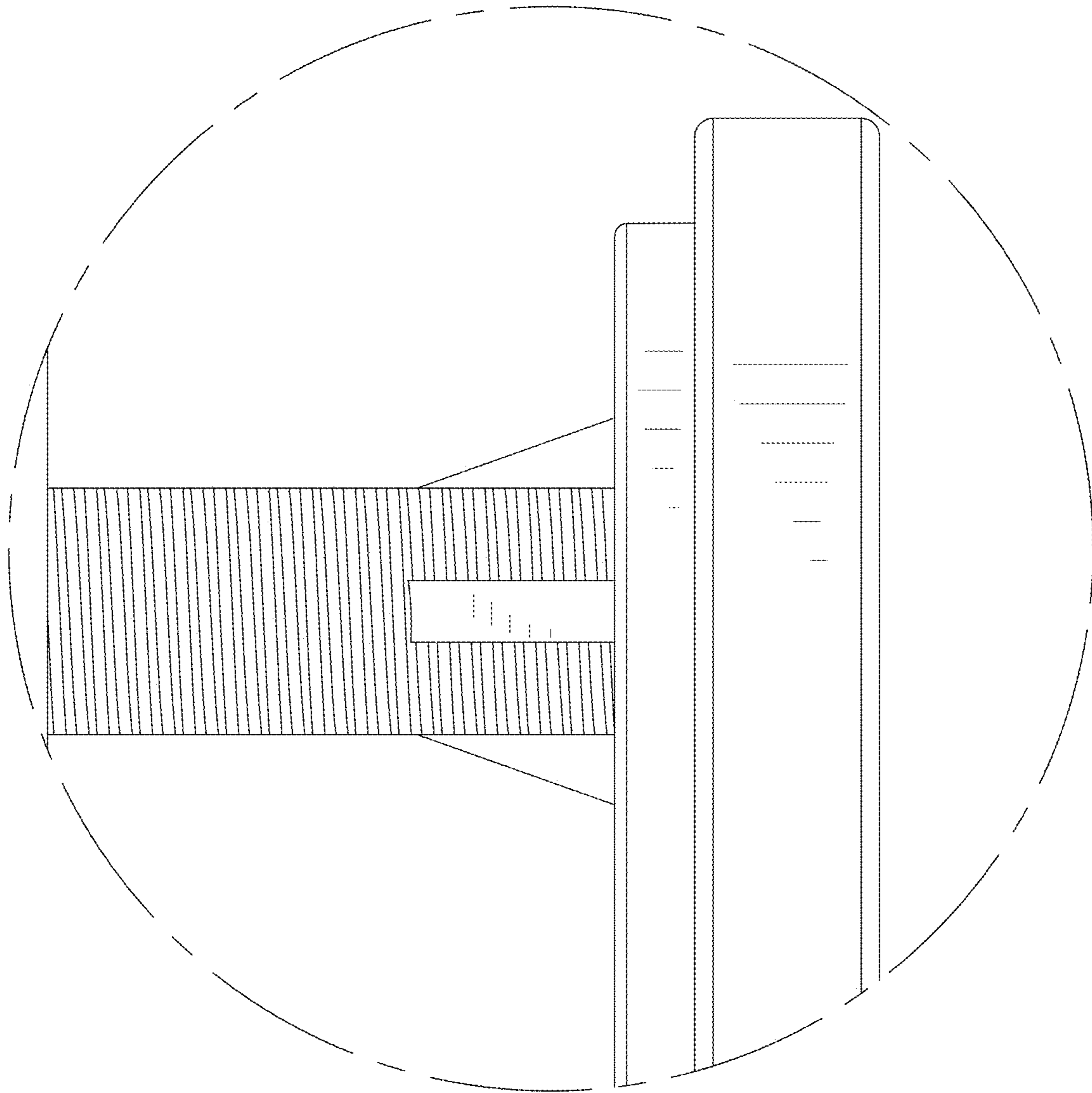


FIG. 9

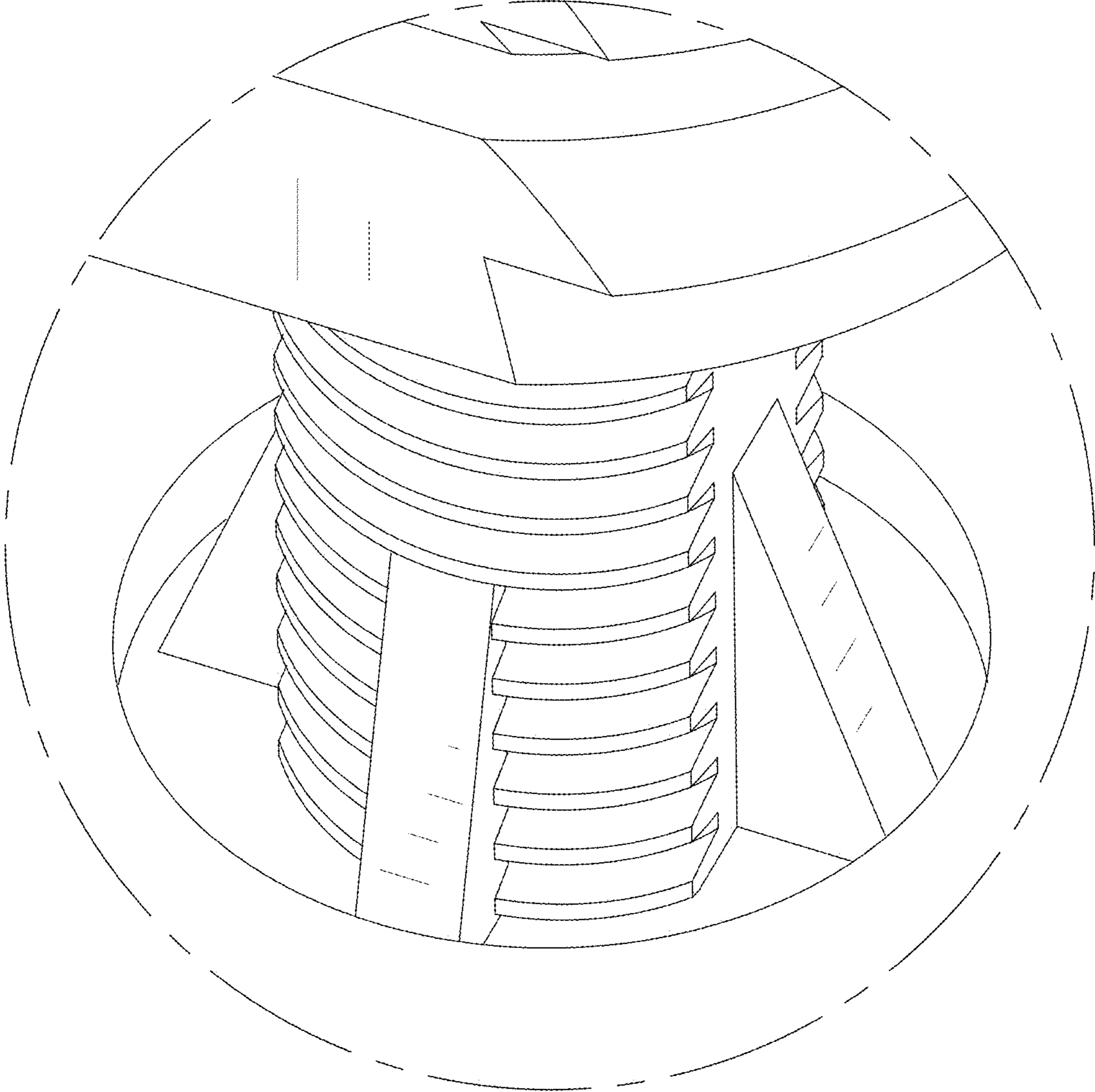


FIG. 10