



US00D875692S

(12) **United States Design Patent** (10) **Patent No.:** **US D875,692 S**
Shi (45) **Date of Patent:** **** Feb. 18, 2020**

(54) **LED CONTROLLER**

(71) Applicant: **Jianjie Shi**, Puyang He'nan (CN)

(72) Inventor: **Jianjie Shi**, Puyang He'nan (CN)

(**) Term: **15 Years**

(21) Appl. No.: **29/708,825**

(22) Filed: **Oct. 9, 2019**

(51) **LOC (12) Cl.** **14-03**

(52) **U.S. Cl.**
USPC **D13/168**

(58) **Field of Classification Search**

USPC D13/168; D14/155, 205, 206, 218, 223,
D14/240; D21/333
CPC H03J 1/0025; H03J 9/00; H03J 9/02; H03J
9/04; H03J 9/06; H01H 9/0235; H04B
1/202; G05B 11/01; G08C 17/00; G08C
17/02; G08C 19/28; G08C 23/04; H04M
1/6058; H04R 1/1041

See application file for complete search history.

(56) **References Cited**

U.S. PATENT DOCUMENTS

| | | | |
|--------------|---------|---------------|---------|
| D441,185 S * | 5/2001 | Shimizu | D13/168 |
| D497,881 S * | 11/2004 | Rishar | D13/168 |
| D512,968 S * | 12/2005 | Jiyang | D13/168 |
| D638,806 S * | 5/2011 | Kim | D13/168 |
| D671,091 S * | 11/2012 | Hauser | D14/155 |
| D706,248 S * | 6/2014 | Myung | D14/240 |
| D726,831 S * | 4/2015 | Lee | D13/168 |
| D760,177 S * | 6/2016 | Gassner | D13/168 |
| D781,272 S * | 3/2017 | Virhia | D14/240 |
| D789,366 S * | 6/2017 | Jentz | D14/218 |
| D818,971 S * | 5/2018 | Peng | D13/171 |
| D830,979 S * | 10/2018 | Hung | D13/171 |
| D840,954 S * | 2/2019 | Wu | |
| D856,941 S * | 8/2019 | Chen | D13/168 |

OTHER PUBLICATIONS

LED Light Strip Controller; before Oct. 9, 2019; 1 pg. <https://www.google.com/search?hl=en&biw=2048&bih=717&tbm=isch&sa=1>

&ei=ypr7XbXqO_K3ggftgq5w&q=Led+light+controller+before%3A2019-10-09&oq=Led+light+controller+before%3A2019-10-09&gs_l=img.3...58878.72627..73633...3.0..1.185.1423.22j1....2.0....1..gws-wiz-i.*

T-H-Marine LED Light Controller; before Oct. 9, 2019; 1 pg.; https://www.google.com/search?hl=en&biw=2048&bih=717&tbm=isch&sa=1&ei=ypr7XbXqO_K3ggftgq5w&q=Led+light+controller+before%3A2019-10-09&oq=Led+light+controller+before%3A2019-10-09&gs_l=img.3...58878.72627..73633...3.0..1.185.1423.22j1....2.0....1..gws.*

Cooler Master RGB LED Controller; before Oct. 9, 2019; 1 pg.; https://www.google.com/search?hl=en&biw=2048&bih=717&tbm=isch&sa=1&ei=Fpr7XY7AC62vggeivLvAAQ&q=COOLER+MASTER+TECHNOLOGY+Led+light+controller+before%3A2019-10-09&oq=COOLER+MASTER+TECHNOLOGY+Led+light+controller+before%3A2019-10-09&gs_l=img.12...24603.*

Fractal Design RGB Controller; before Oct. 9, 2019; 1 pg.; https://www.google.com/search?hl=en&biw=2048&bih=717&tbm=isch&sa=1&ei=uKP7XbDGNeY0ggfo64agAg&q=RGB+controller+before%3A2019-10-09&oq=RGB+controller+before%3A2019-10-09&gs_l=img.12...1294576.1295236..1317536...1.0..0.91.230.4.....0....1..gws-wiz-img.Du.*

Wireless Bluetooth LED Strip Light Controller; before Dec. 19, 2019; 1pg.; https://www.google.com/search?hl=en&biw=2048&bih=717&tbm=isch&sa=1&ei=xq_7XbWyCqS3ggeVj4vC213w&q=RGB+light+controller&oq=RGB+light+controller&gs_l=img.3..0i67j0i8i3014j0i2413.132044.132044..135126...0.0..0.60.115.2.....0....1..gws-wiz-img.*

* cited by examiner

Primary Examiner — Selina Sikder
(74) *Attorney, Agent, or Firm* — Justin Lampel

(57) **CLAIM**

An ornamental design for a LED controller, as shown in the drawings and described herein.

DESCRIPTION

FIG. 1 is a perspective view of a LED controller showing the claimed design;
FIG. 2 is a top plan view thereof;
FIG. 3 is a rear elevational view thereof;
FIG. 4 is a bottom plan view thereof;
FIG. 5 is a right side view thereof;

(Continued)

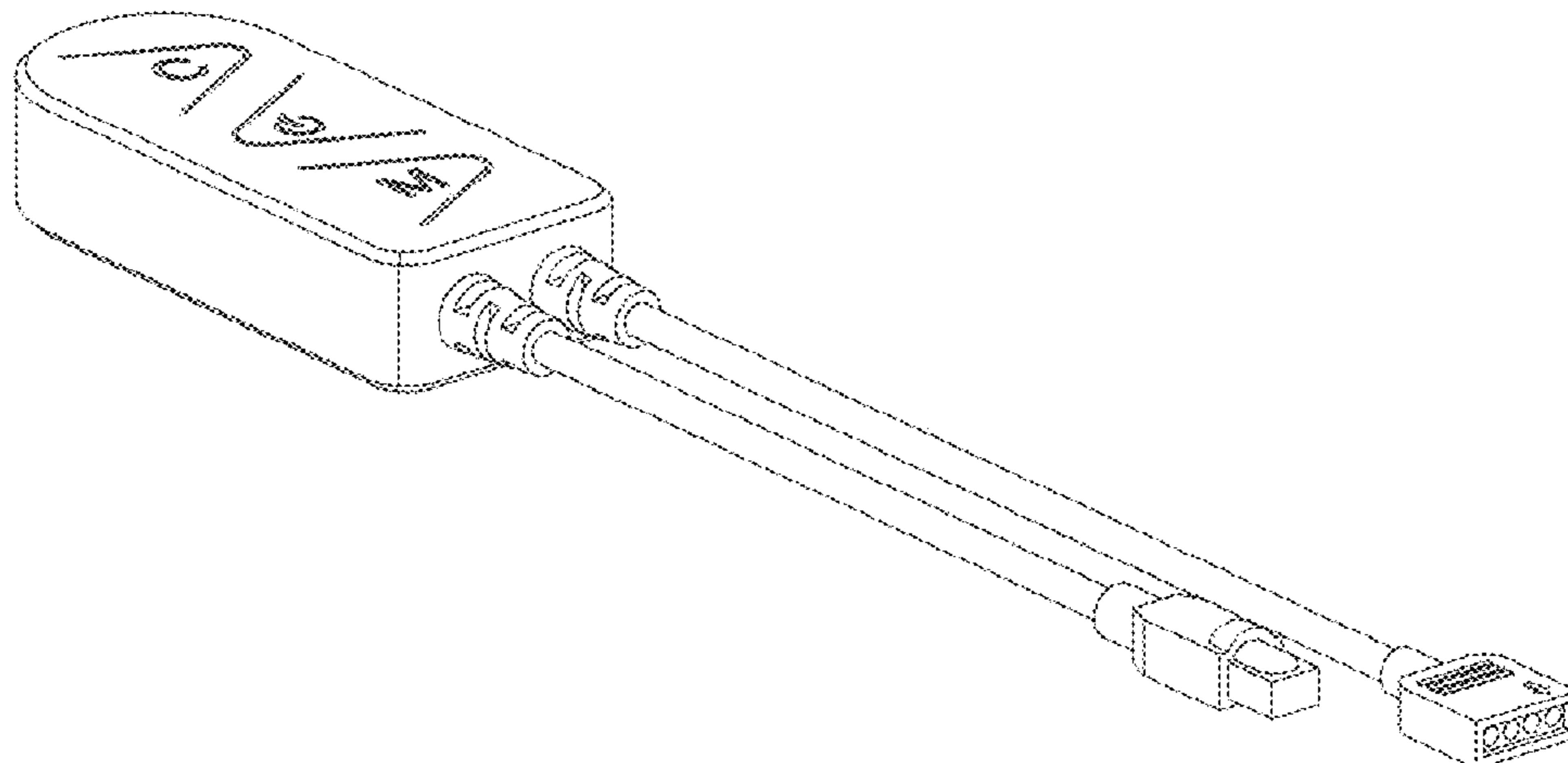


FIG. 6 is a front elevational view thereof; and,
FIG. 7 is a left side view thereof.

1 Claim, 7 Drawing Sheets

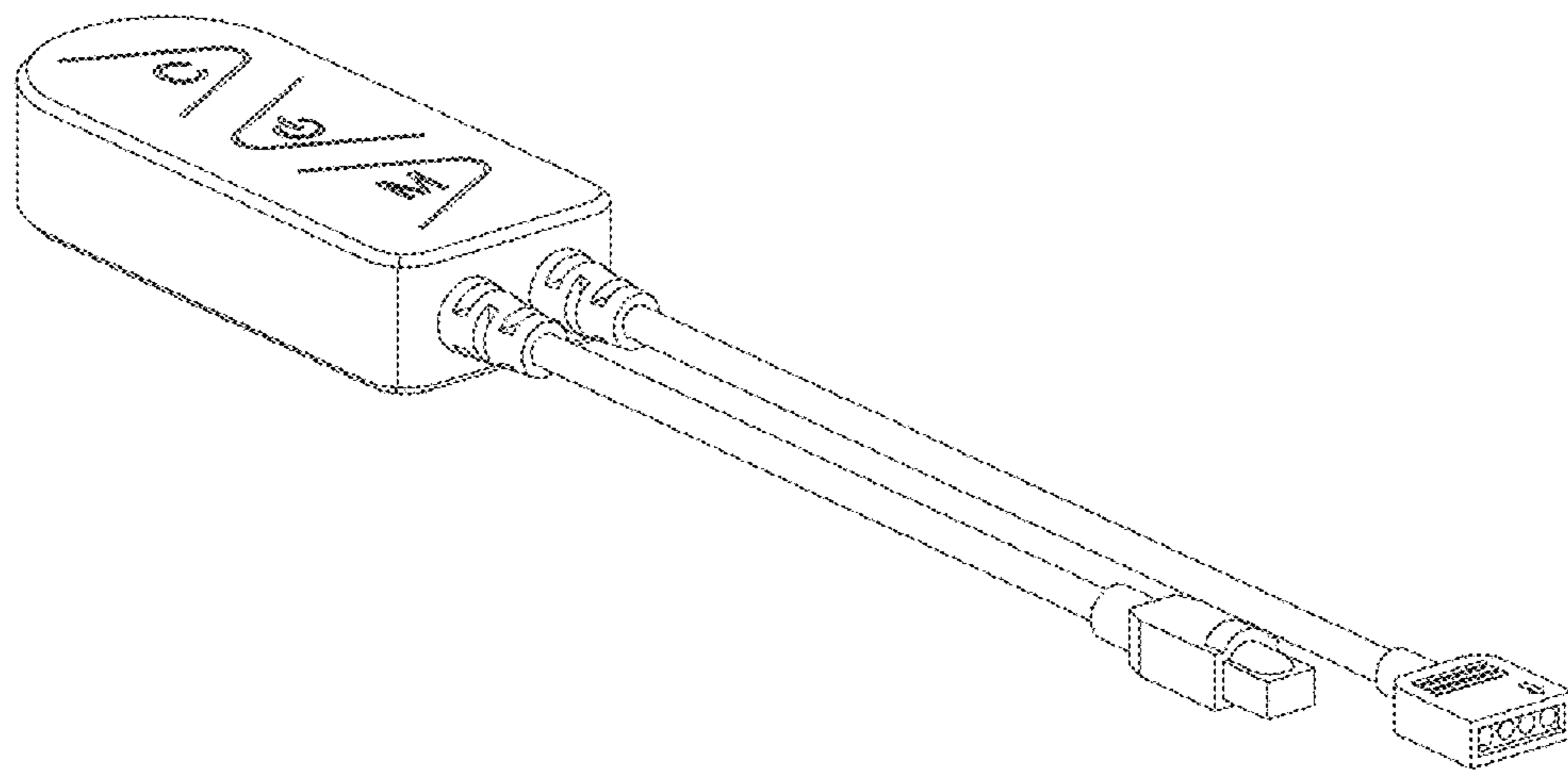


FIG.1

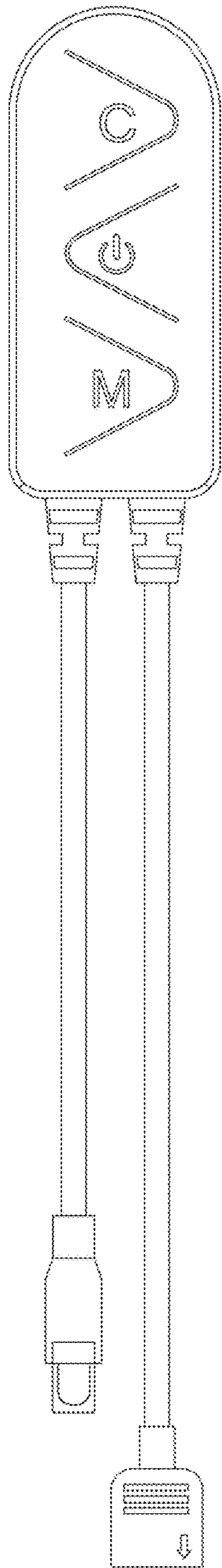


FIG.2



FIG.3

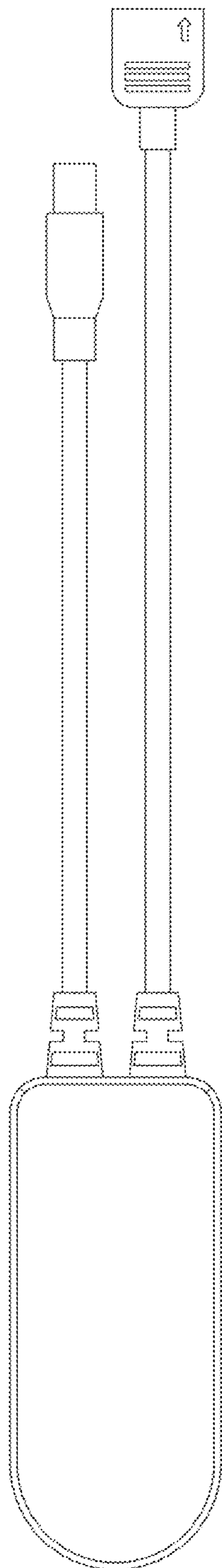


FIG.4

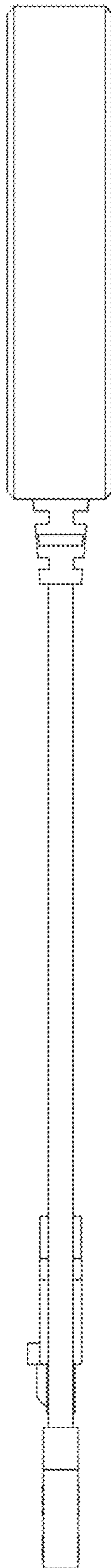


FIG.5

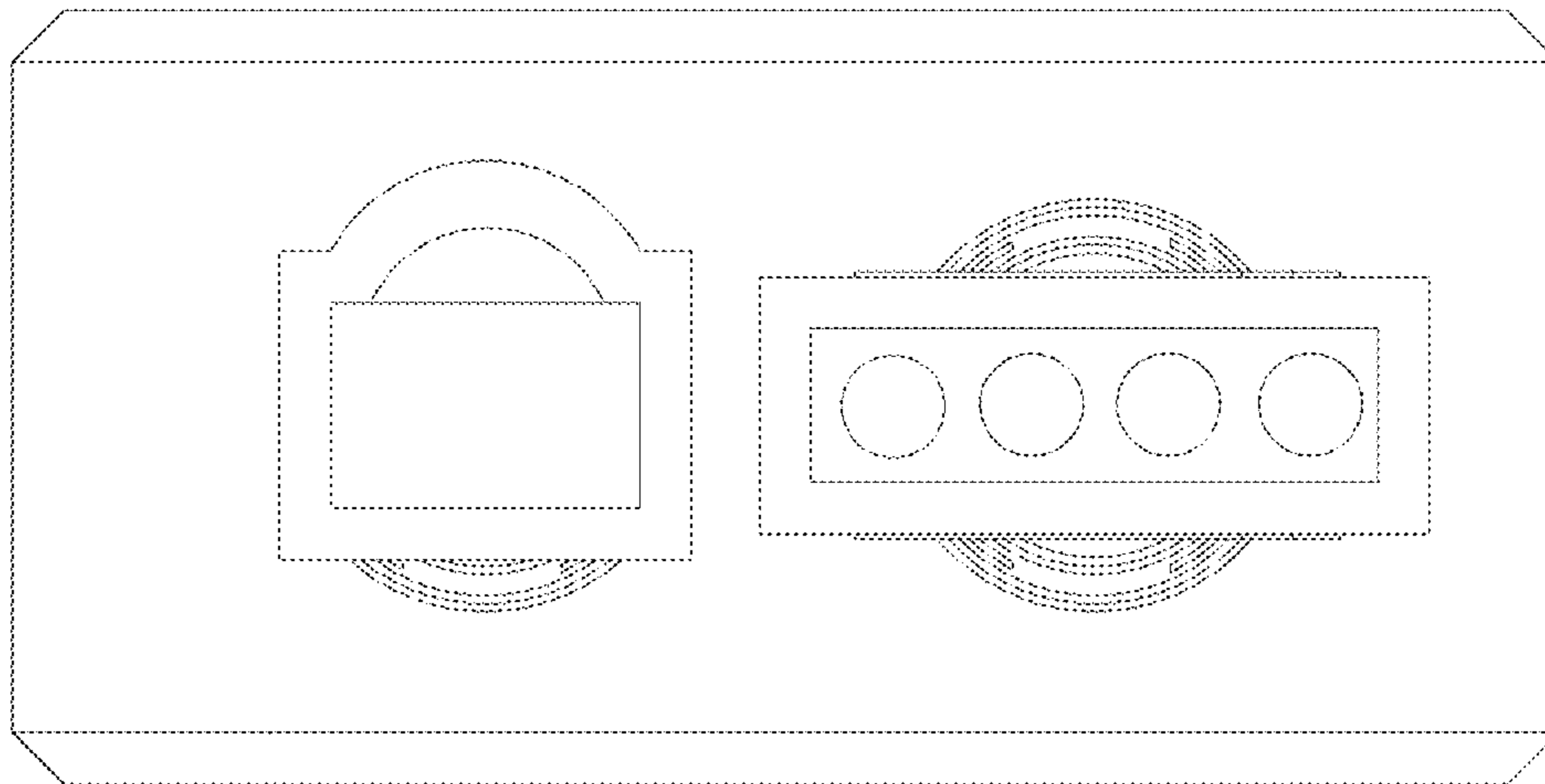


FIG. 6

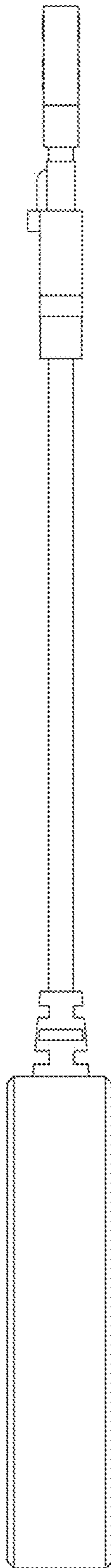


FIG. 7