



US00D875691S

(12) **United States Design Patent**
Zu

(10) **Patent No.:** **US D875,691 S**

(45) **Date of Patent:** **** Feb. 18, 2020**

(54) **POWER CONTROLLER**

(71) Applicant: **SHENZHEN CHUSE BEAUTY MANAGEMENT CO., LTD.**,
Shenzhen (CN)

(72) Inventor: **Xupeng Zu**, Shenzhen (CN)

(73) Assignee: **SHENZHEN CHUSE BEAUTY MANAGEMENT CO., LTD.**, Shenzhen (CN)

(**) Term: **15 Years**

(21) Appl. No.: **29/670,967**

(22) Filed: **Nov. 21, 2018**

(51) **LOC (12) Cl.** **14-03**

(52) **U.S. Cl.**
USPC **D13/168**

(58) **Field of Classification Search**
USPC D13/162, 168; D14/218; D24/133
CPC H03J 1/0025; H03J 9/00; H03J 9/02; H03J 9/04; H03J 9/06; H01H 9/0214; H01H 9/0235; G07C 9/00174; G07C 9/00182; G07C 9/00309; G07C 9/00944; G07C 2009/00222; G05B 11/01; G08C 19/00; G08C 19/28; G08C 17/02
See application file for complete search history.

(56) **References Cited**

U.S. PATENT DOCUMENTS

D561,703 S *	2/2008	Shimokawa	D13/168
D562,778 S *	2/2008	Bonnaud	D13/168
D571,305 S *	6/2008	Thursfield	D13/168
D619,558 S *	7/2010	Seil	D14/155
D622,685 S *	8/2010	Garra	D14/137
D667,382 S *	9/2012	Cosentino	D13/168

D726,831 S *	4/2015	Lee	D13/168
D748,066 S *	1/2016	Lee	D13/168
D764,463 S *	8/2016	Dwivedula	D14/358
D789,366 S *	6/2017	Jentz	D14/218
D790,484 S *	6/2017	Bristol	D13/168
D792,359 S *	7/2017	Nakagawa	D13/168
D815,091 S *	4/2018	Nguyen	D14/356
D822,643 S *	7/2018	Chen	D14/218
D836,568 S *	12/2018	Miller	D13/168
D855,575 S *	8/2019	Paesen	D13/168
2007/0270921 A1 *	11/2007	Strother	A61N 1/08 607/60
2017/0030889 A1 *	2/2017	Yao	G08C 17/02
2017/0135233 A1 *	5/2017	Tompkins	H05K 5/0217

* cited by examiner

Primary Examiner — Selina Sikder

(74) *Attorney, Agent, or Firm* — Law Offices of Steven W. Weinrieb

(57) **CLAIM**

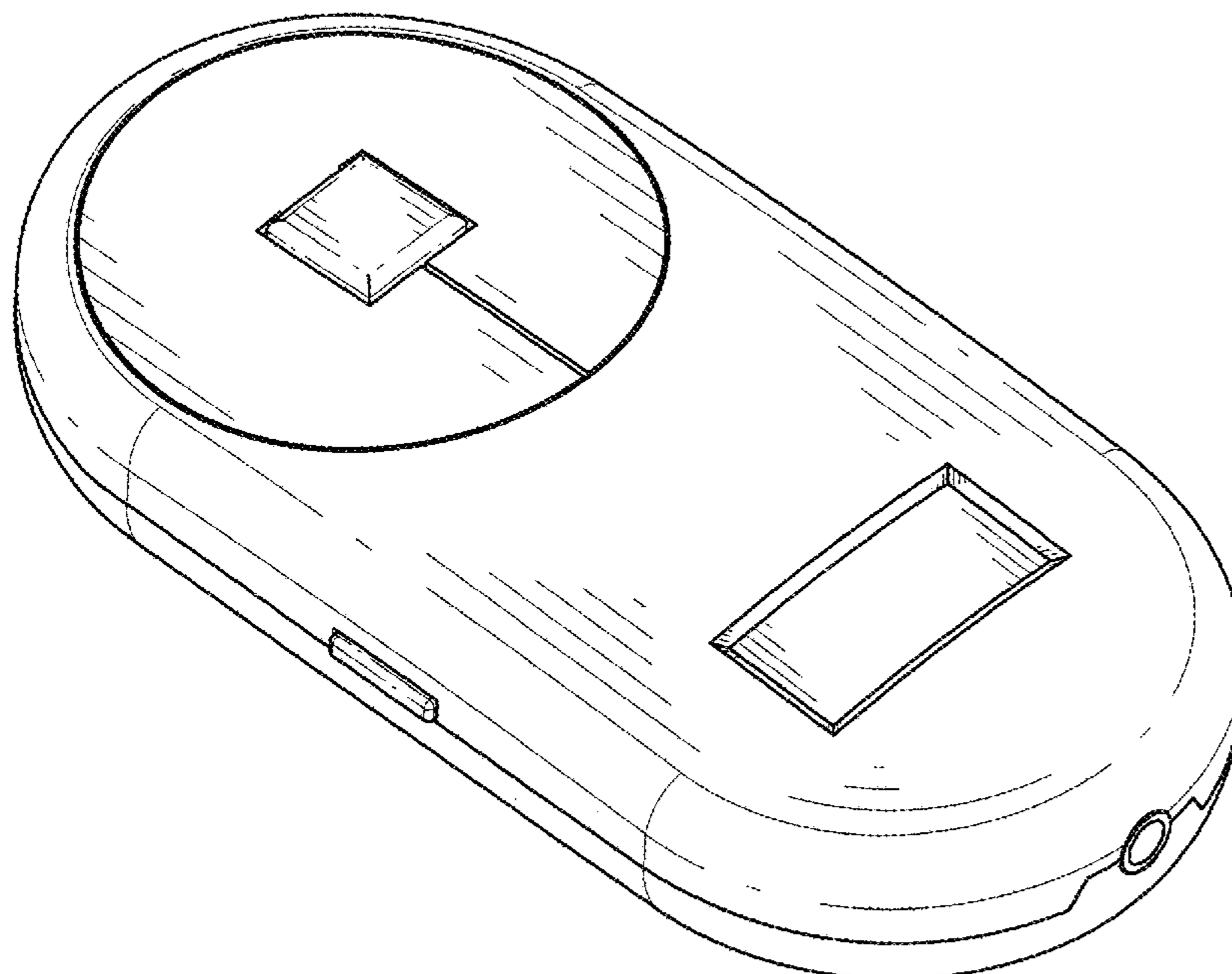
The ornamental design for a power controller, as shown and described.

DESCRIPTION

FIG. 1 is a front, left side, top perspective view of the power controller showing my new design;
FIG. 2 is a top plan view thereof;
FIG. 3 is a bottom plan view thereof;
FIG. 4 is a rear elevational view thereof;
FIG. 5 is a front elevational view thereof;
FIG. 6 is a right side elevational view thereof; and,
FIG. 7 is a left side elevational view thereof.

The broken lines immediately adjacent to the claimed portions are boundaries, all other broken lines are environmental structures; all the broken lines form no part of the claimed design.

1 Claim, 7 Drawing Sheets



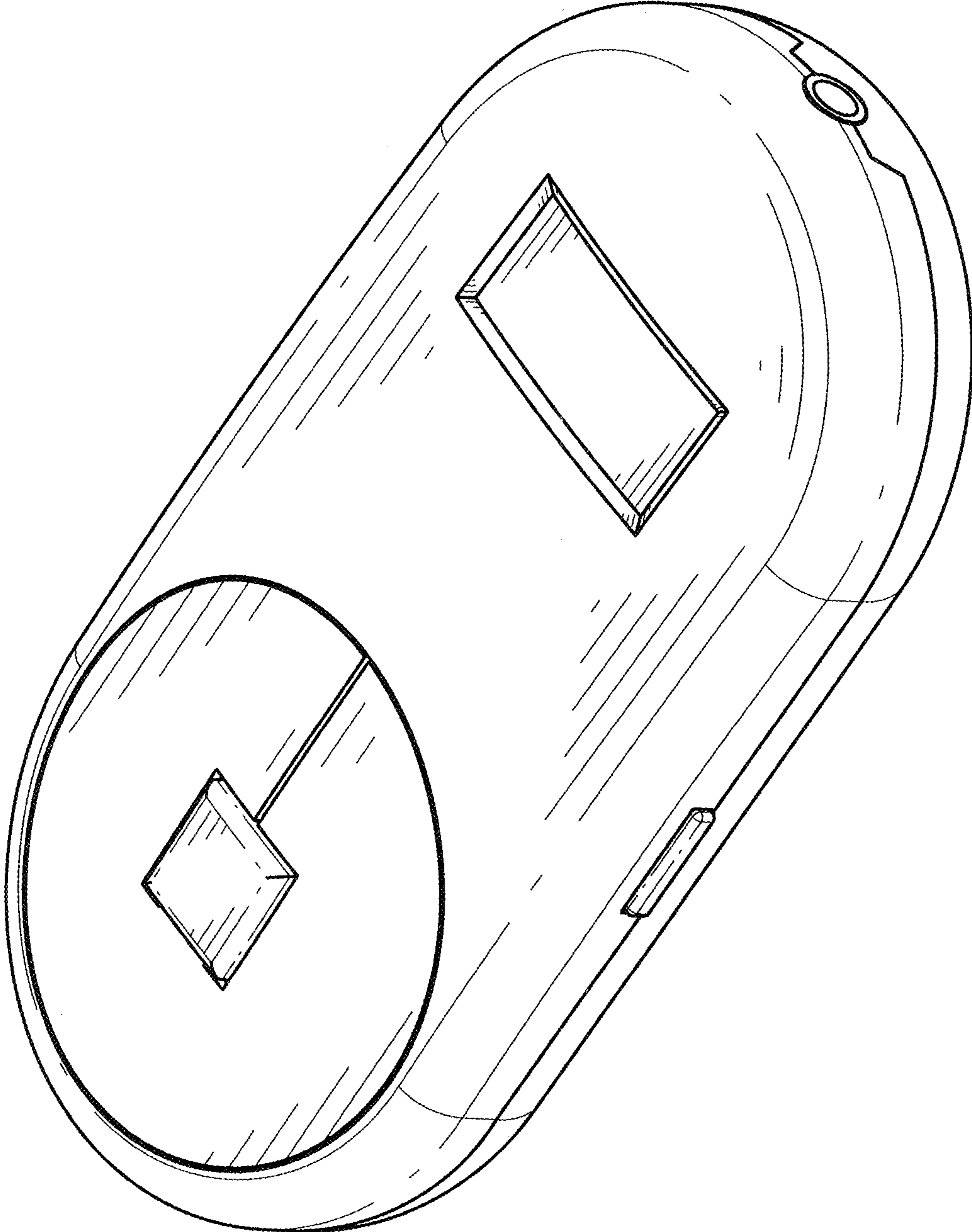


FIG. 1

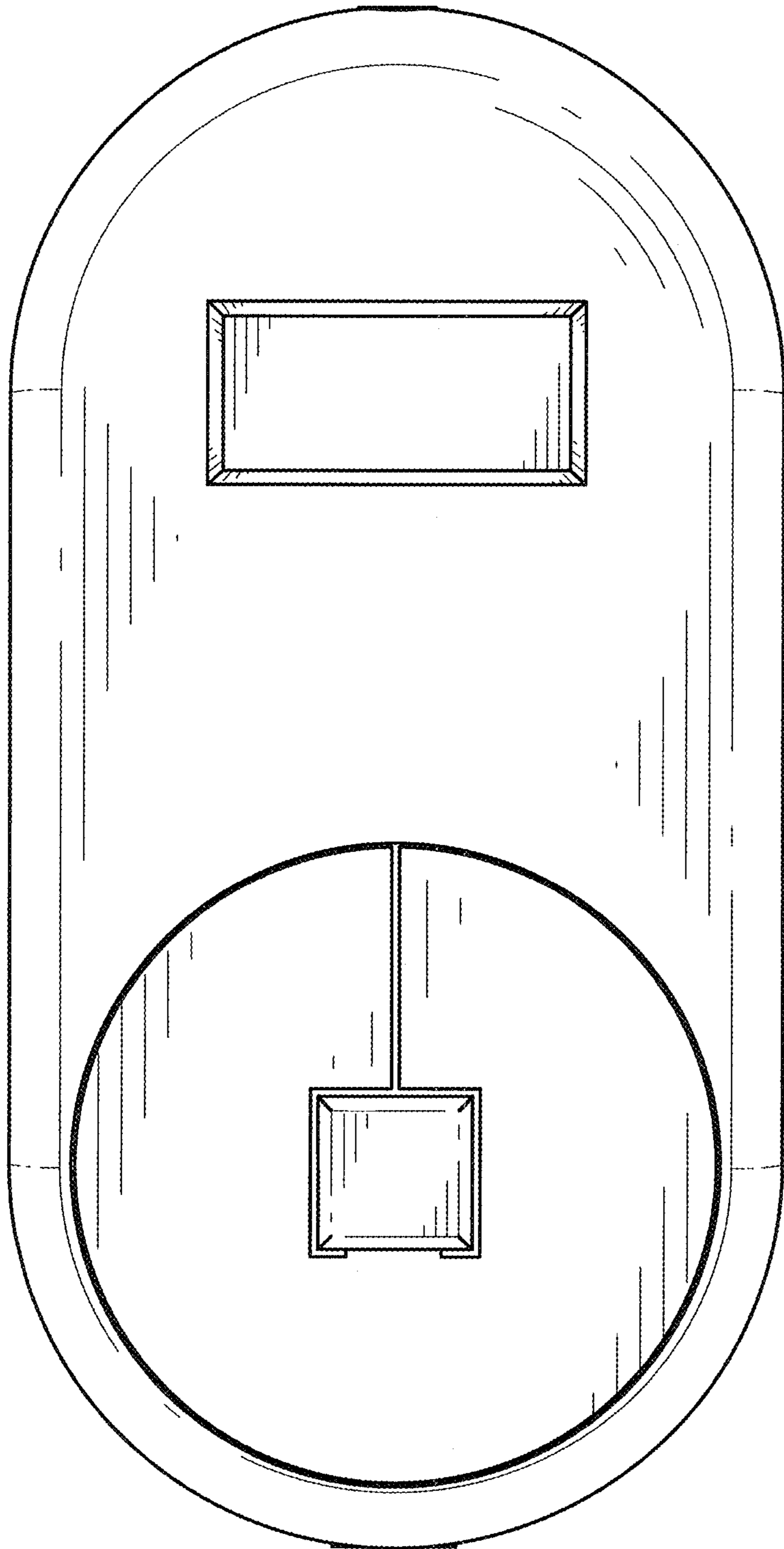


FIG. 2

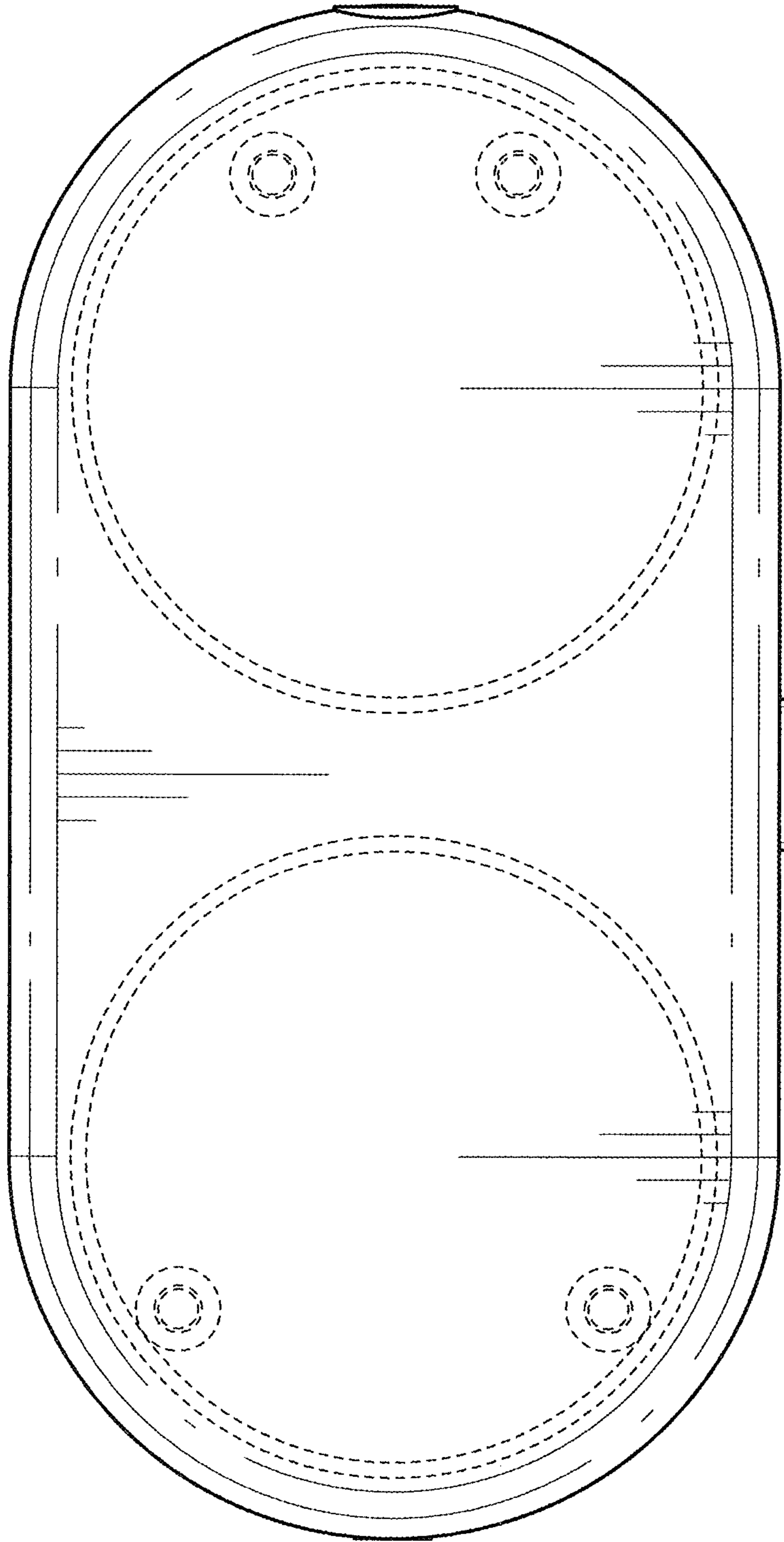


FIG. 3

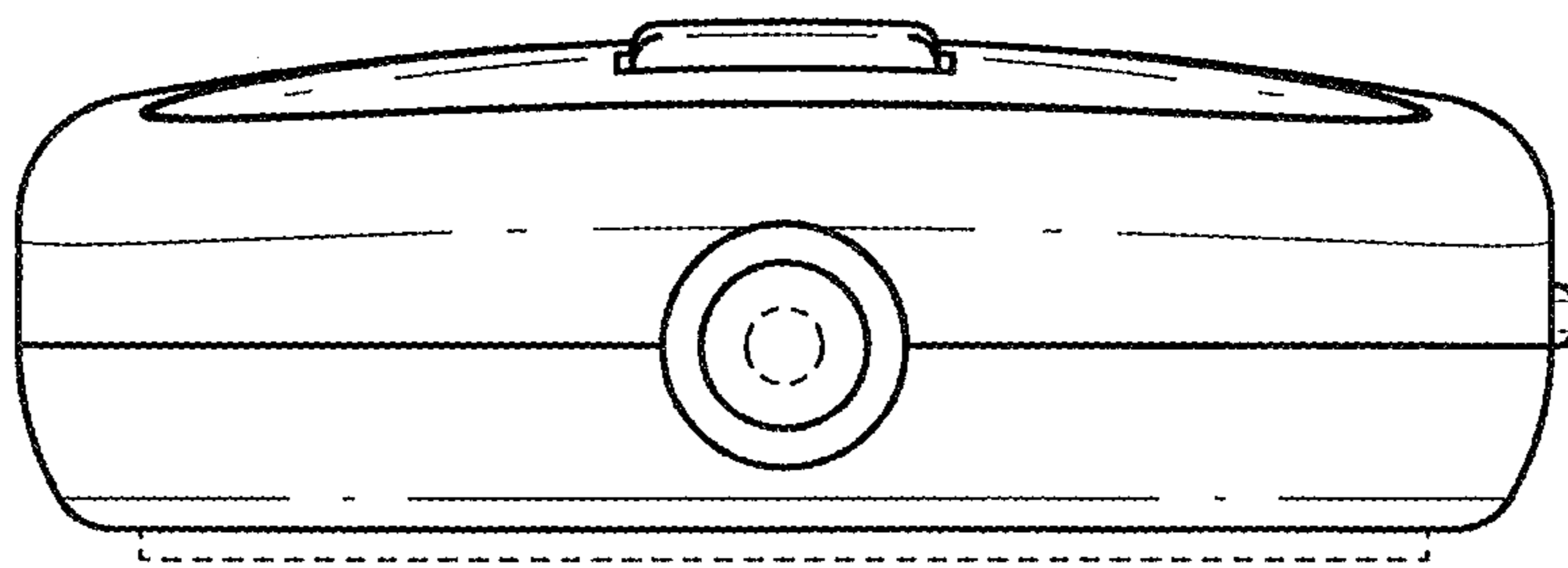


FIG. 4

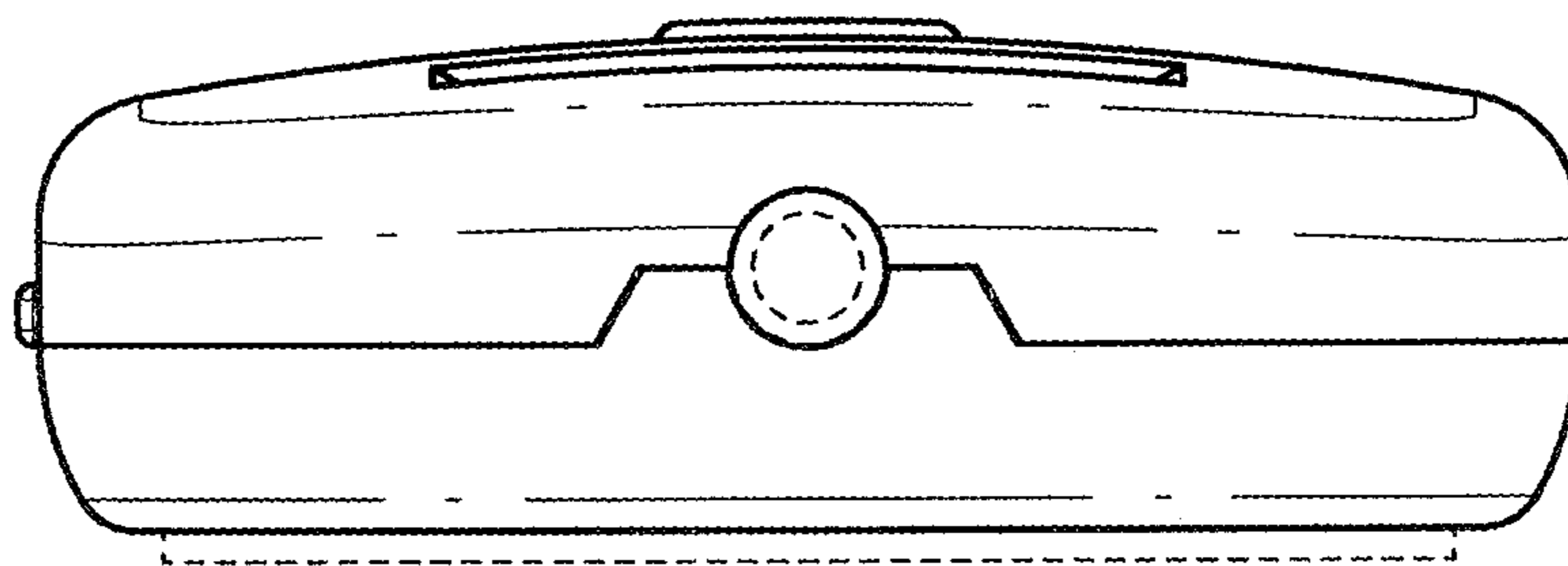


FIG. 5

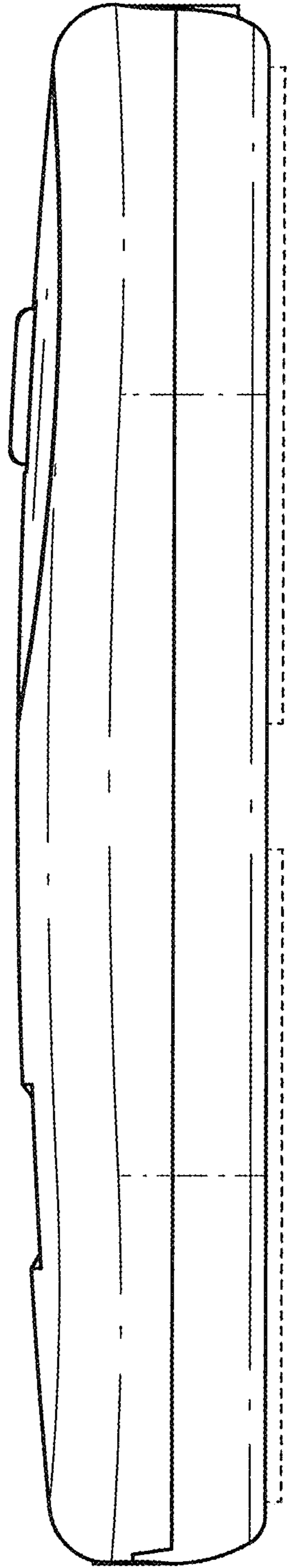


FIG. 6

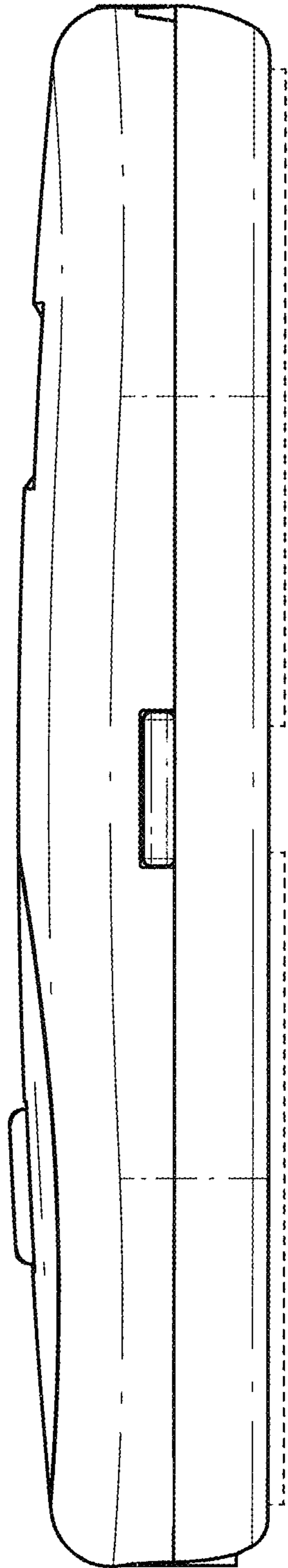


FIG. 7