



US00D875690S

(12) **United States Design Patent** (10) **Patent No.:** **US D875,690 S**
Krebs et al. (45) **Date of Patent:** **** Feb. 18, 2020**

(54) **CONTROL SWITCH**

(71) Applicant: **Konecranes Global Corporation,**
Hyvinkaa (FI)

(72) Inventors: **Wolfgang Krebs,** Wetter (DE); **Thomas Lindenau,** Haltern (DE); **Frederick Woidneck,** Wetter (DE); **Marco Woldt,** Bochum (DE); **Giuliano Persico,** Wetter (DE); **Holger Freitag,** Bochum (DE); **Stefan Elspass,** Tonisvorst (DE)

(73) Assignee: **KONECRANES GLOBAL CORPORATION,** Hyvinkää (FI)

(**) Term: **15 Years**

(21) Appl. No.: **29/666,814**

(22) Filed: **Oct. 16, 2018**

(30) **Foreign Application Priority Data**

Apr. 17, 2018 (EM) 005237880

(51) **LOC (12) Cl.** **13-03**

(52) **U.S. Cl.**
USPC **D13/168; D34/35**

(58) **Field of Classification Search**
USPC D13/158, 162, 168; D34/33, 35
CPC H01H 9/0214; H01H 9/0235; H01H 9/04;
H01H 9/06
See application file for complete search history.

(56) **References Cited**

U.S. PATENT DOCUMENTS

4,520,247 A * 5/1985 Pancook B66C 13/56
200/276
D552,562 S * 10/2007 Yamamoto D13/168

D667,380 S * 9/2012 Ishikawa D13/168
D678,648 S * 3/2013 Gill D34/35
D714,739 S * 10/2014 Rantala D13/168
D715,230 S * 10/2014 Rantala D13/168
10,150,654 B2 * 12/2018 Vikman B66C 13/40
D867,309 S * 11/2019 Detering D13/168
2019/0054629 A1 * 2/2019 Riedel G05B 19/409

* cited by examiner

Primary Examiner — Selina Sikder

(74) *Attorney, Agent, or Firm* — Leason Ellis LLP

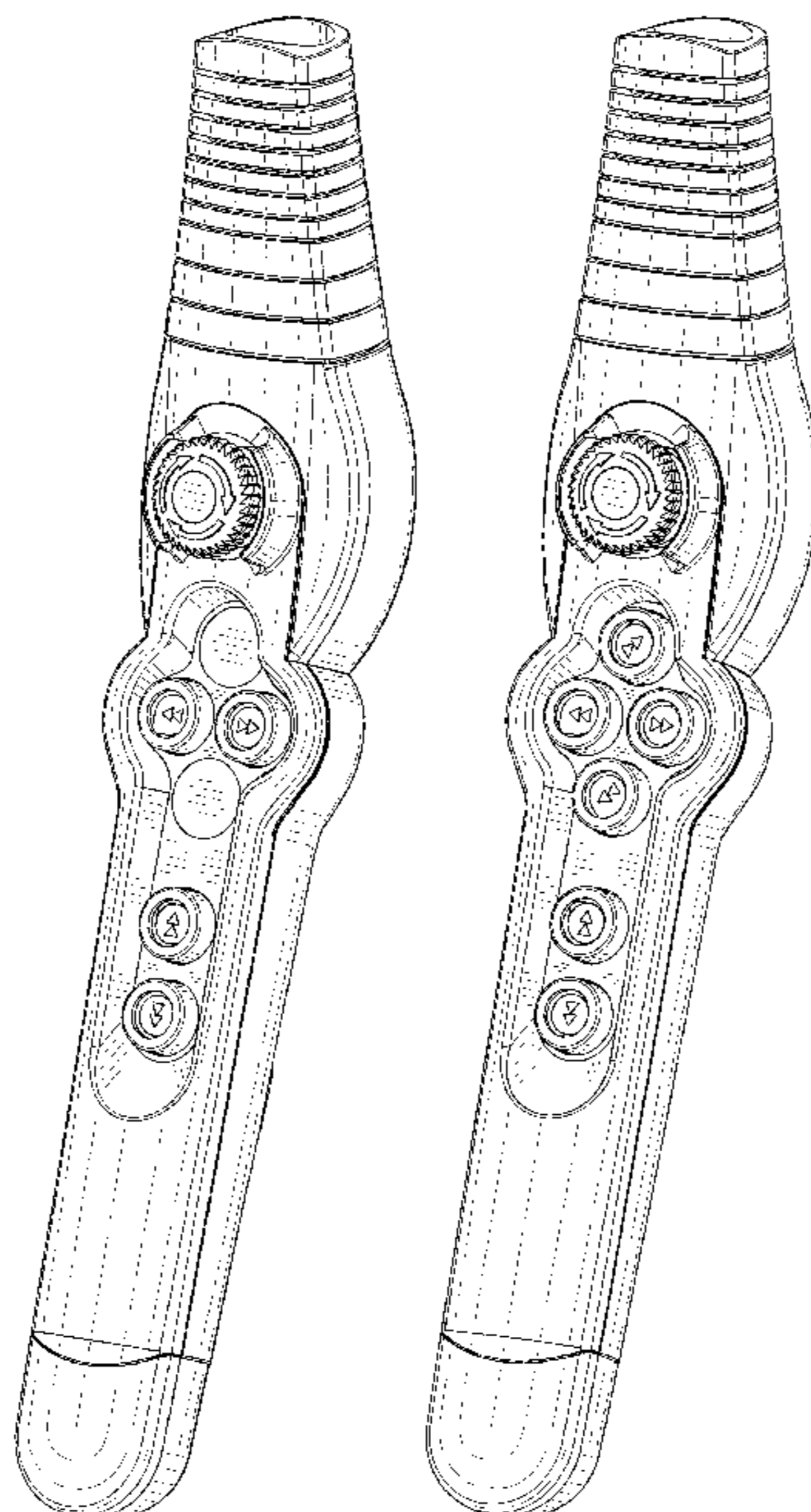
(57) **CLAIM**

The ornamental design for a control switch, as shown and described.

DESCRIPTION

FIG. 1 is a front elevation view of our new design of a control switch according to a first embodiment;
FIG. 2 is a rear elevation view of the design of FIG. 1;
FIG. 3 is a right side elevation view of the design of FIG. 1;
FIG. 4 is a left side elevation view of the design of FIG. 1;
FIG. 5 is a top plan view of the design of FIG. 1;
FIG. 6 is a bottom plan view of the design of FIG. 1;
FIG. 7 is a front and right side perspective view of the design of FIG. 1;
FIG. 8 is a front elevation view of our new design of a control switch according to a second embodiment;
FIG. 9 is a rear elevation view of the design of FIG. 8;
FIG. 10 is a right side elevation view of the design of FIG. 8;
FIG. 11 is a left side elevation view of the design of FIG. 8;
FIG. 12 is a top plan view of the design of FIG. 8;
FIG. 13 is a bottom plan view of the design of FIG. 8; and,
FIG. 14 is a front and right side perspective view of the design of FIG. 8.

1 Claim, 14 Drawing Sheets



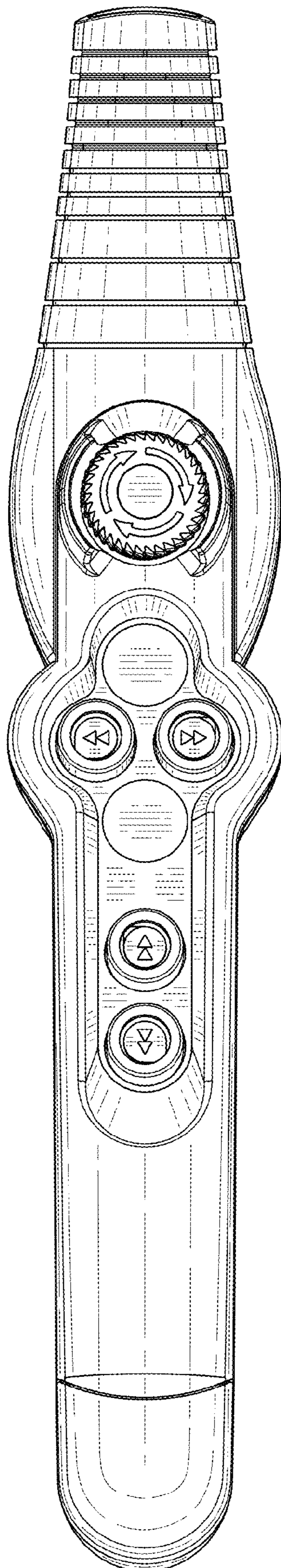


Fig. 1

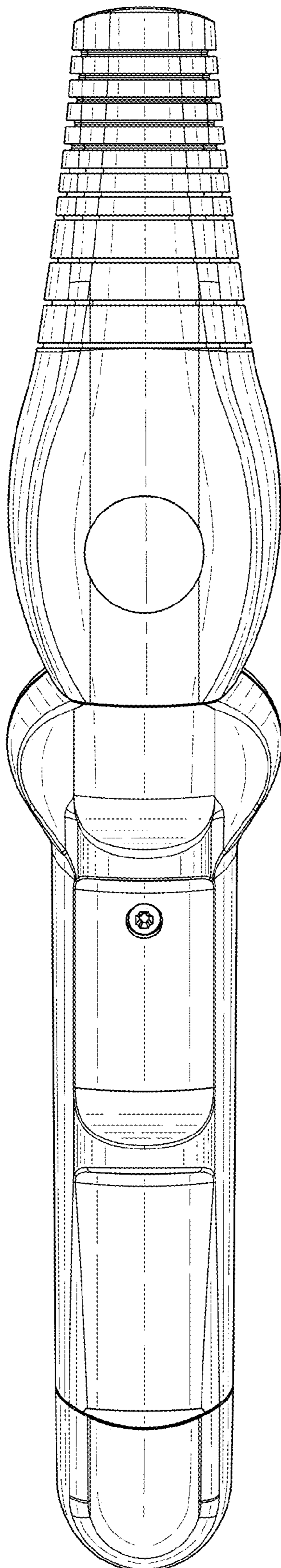


Fig. 2

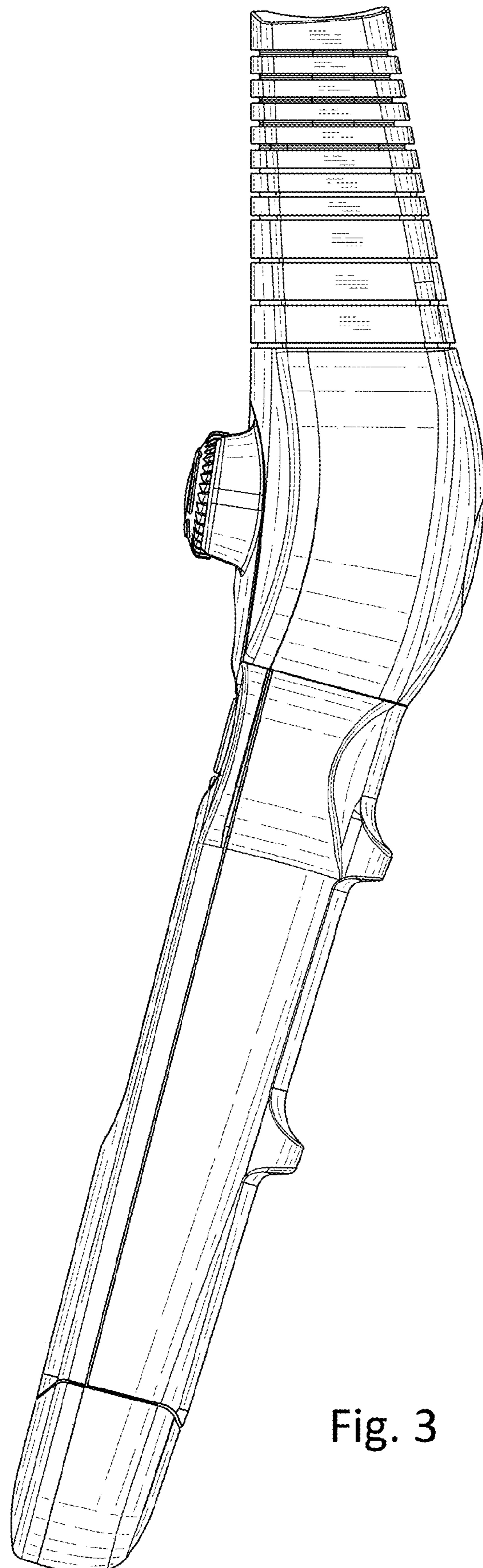


Fig. 3

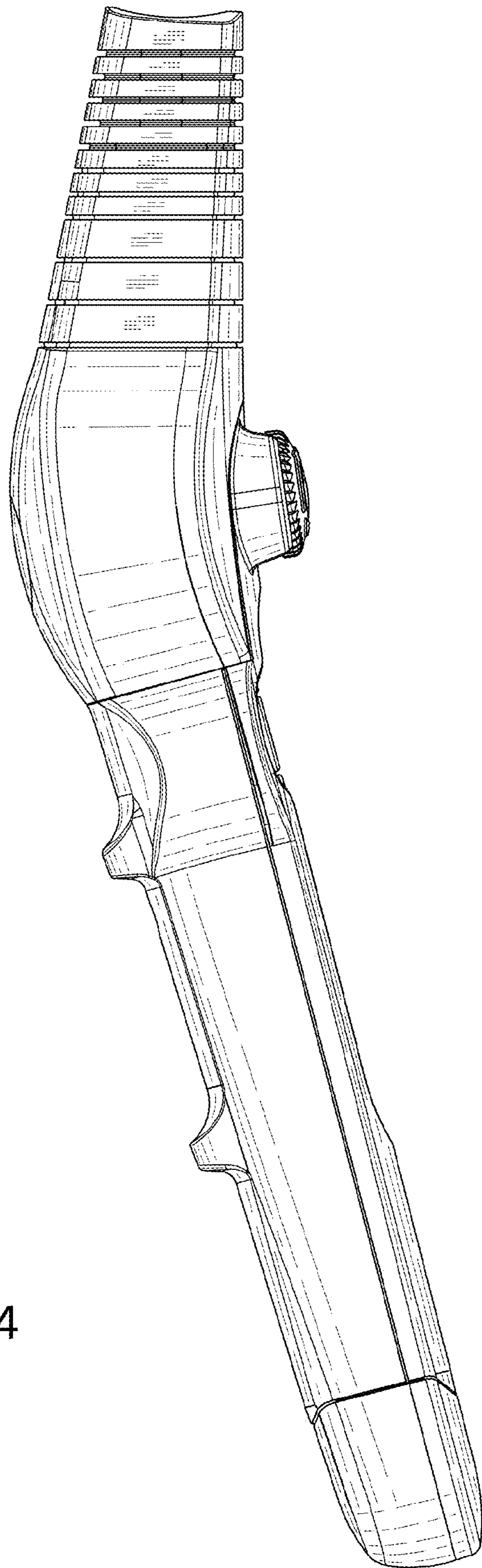


Fig. 4

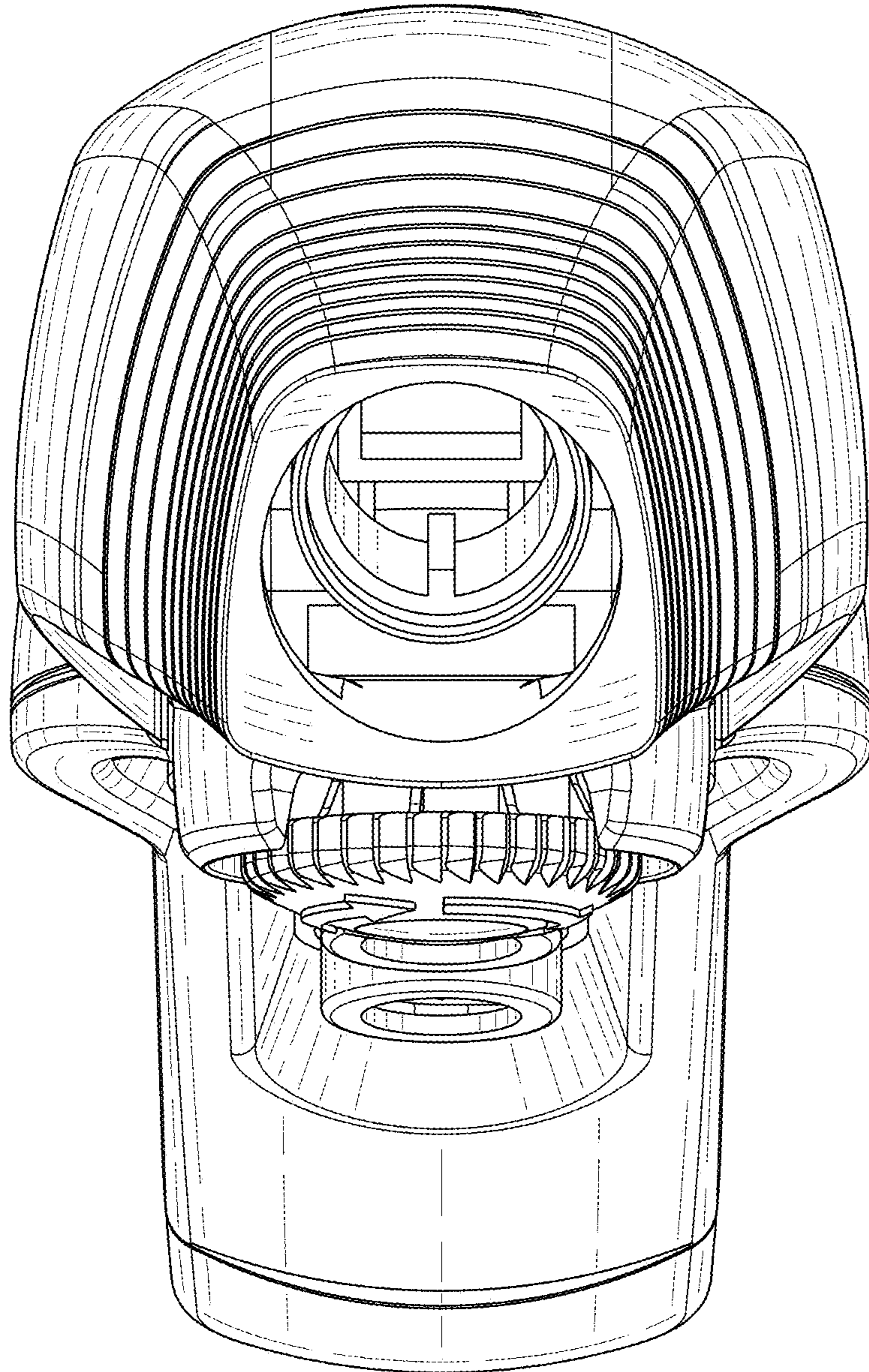


Fig. 5

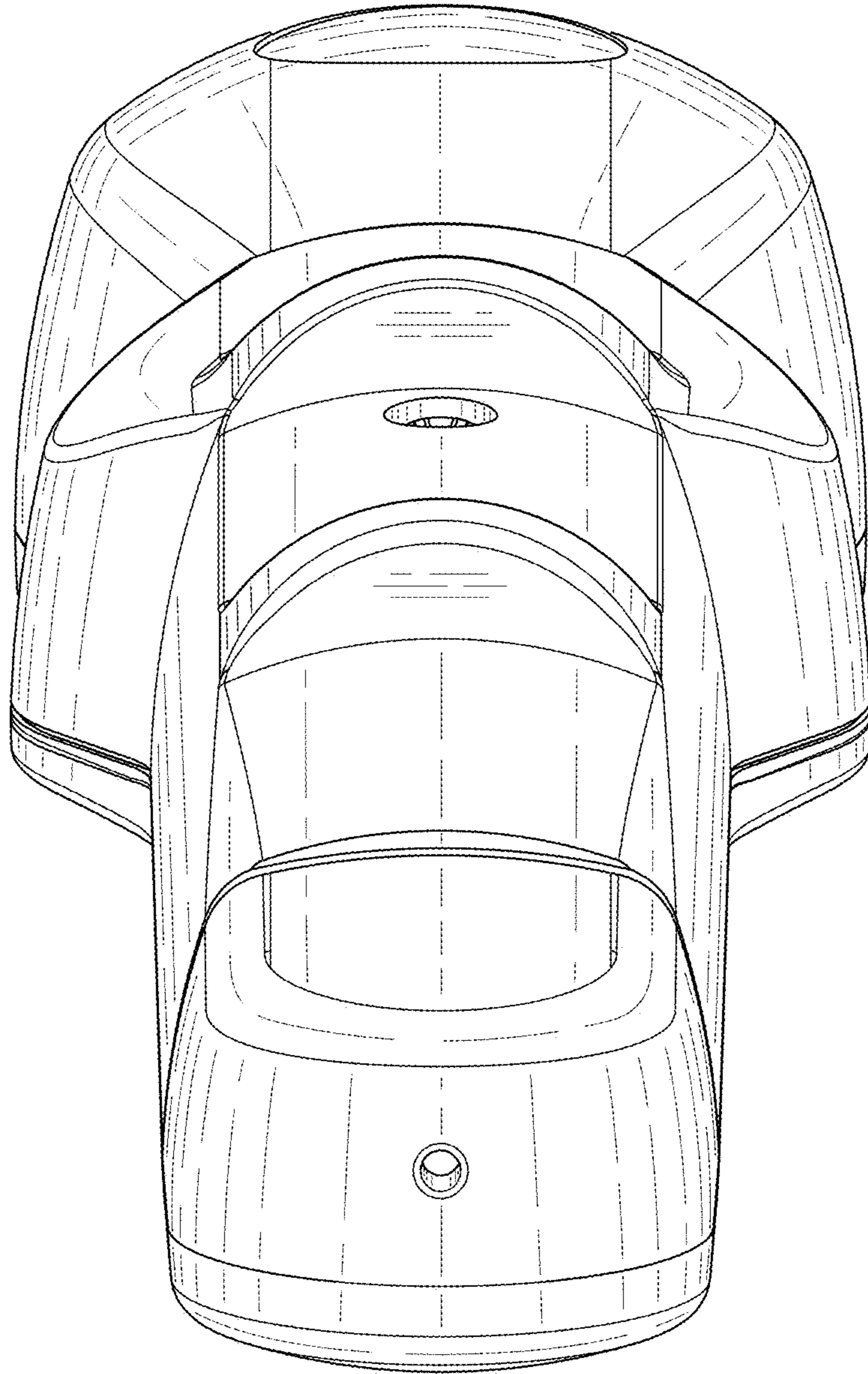


Fig. 6

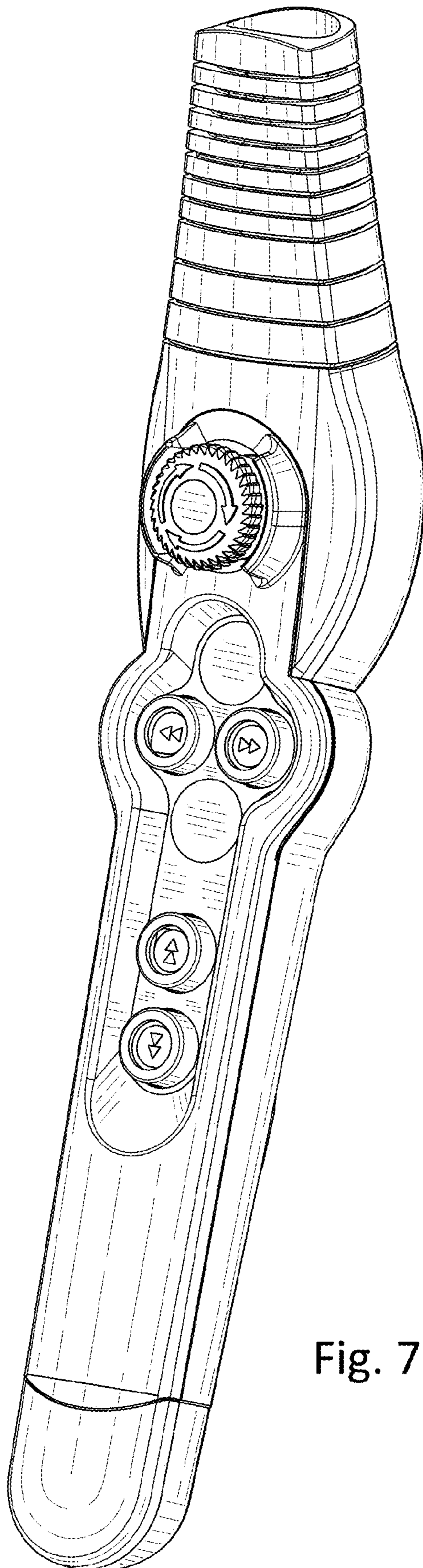


Fig. 7

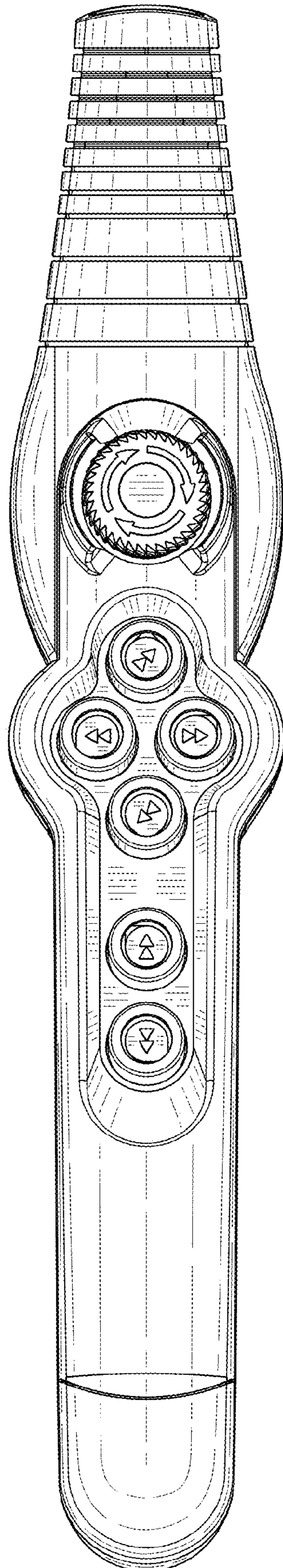


Fig. 8

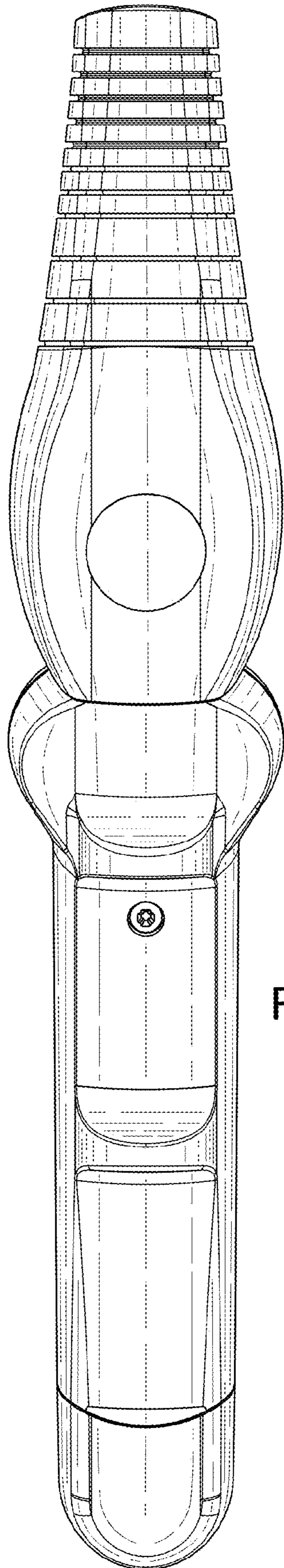


Fig. 9

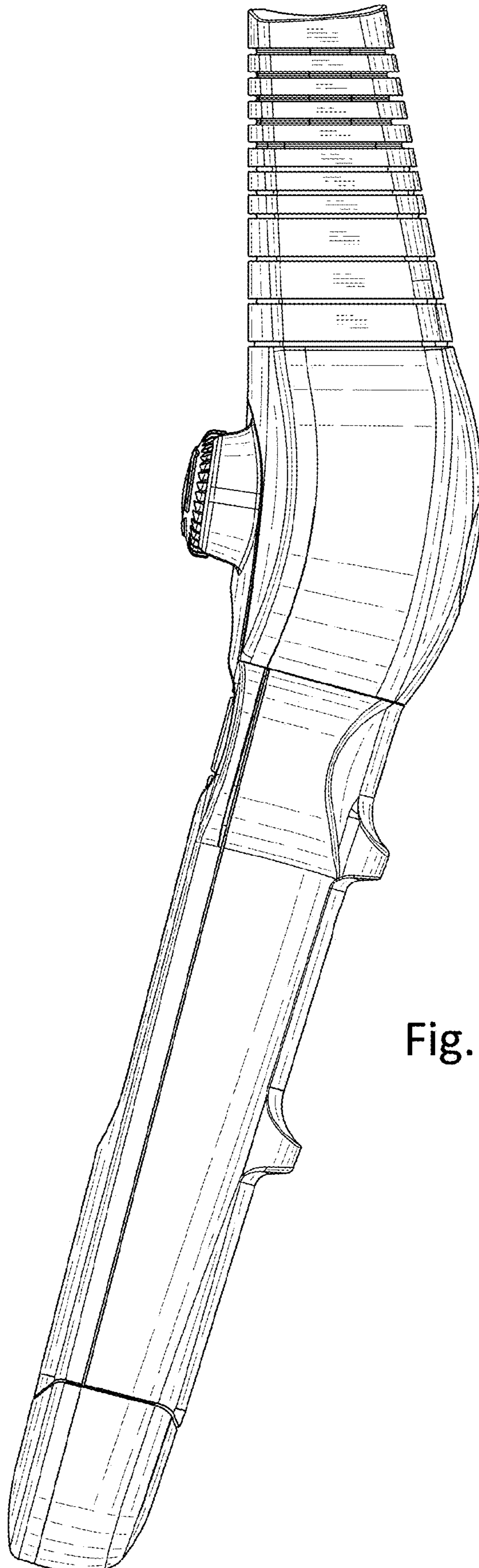


Fig. 10

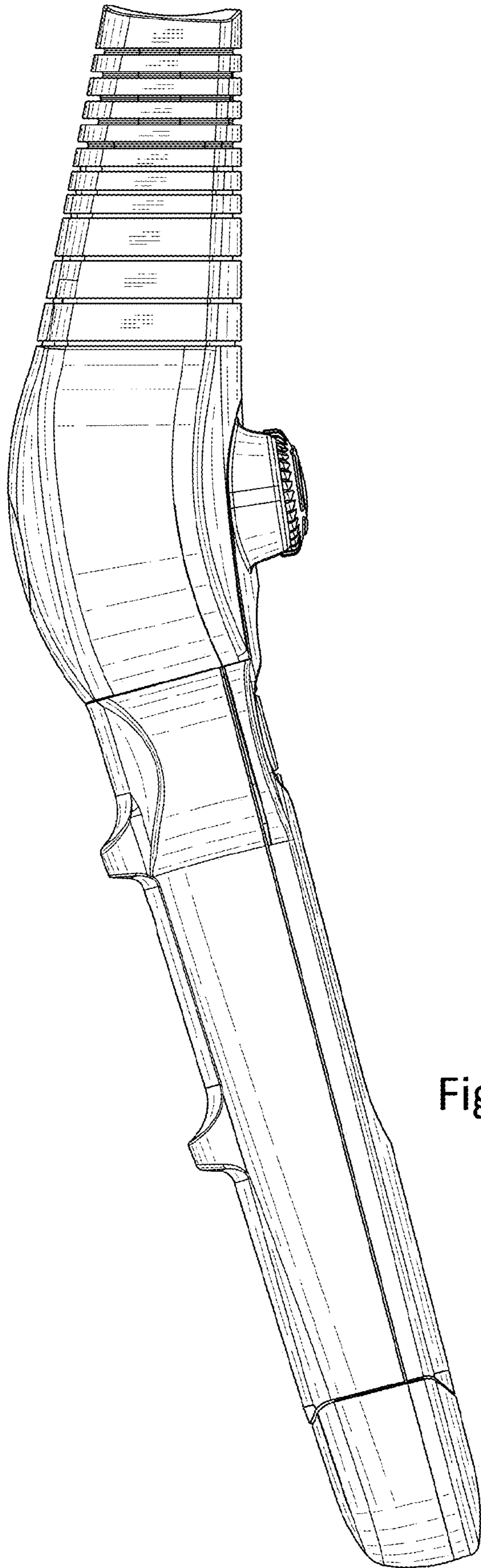


Fig. 11

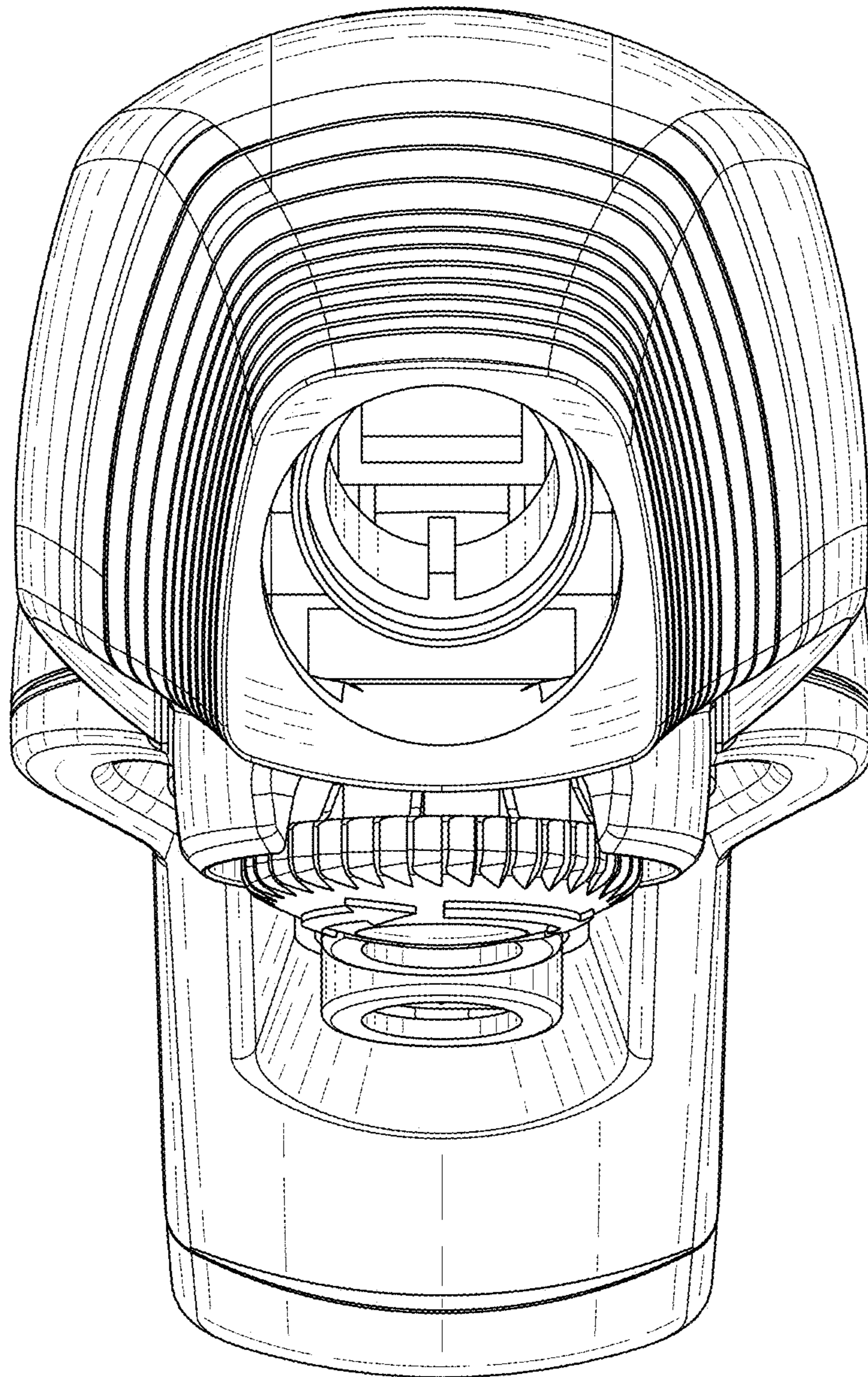


Fig. 12

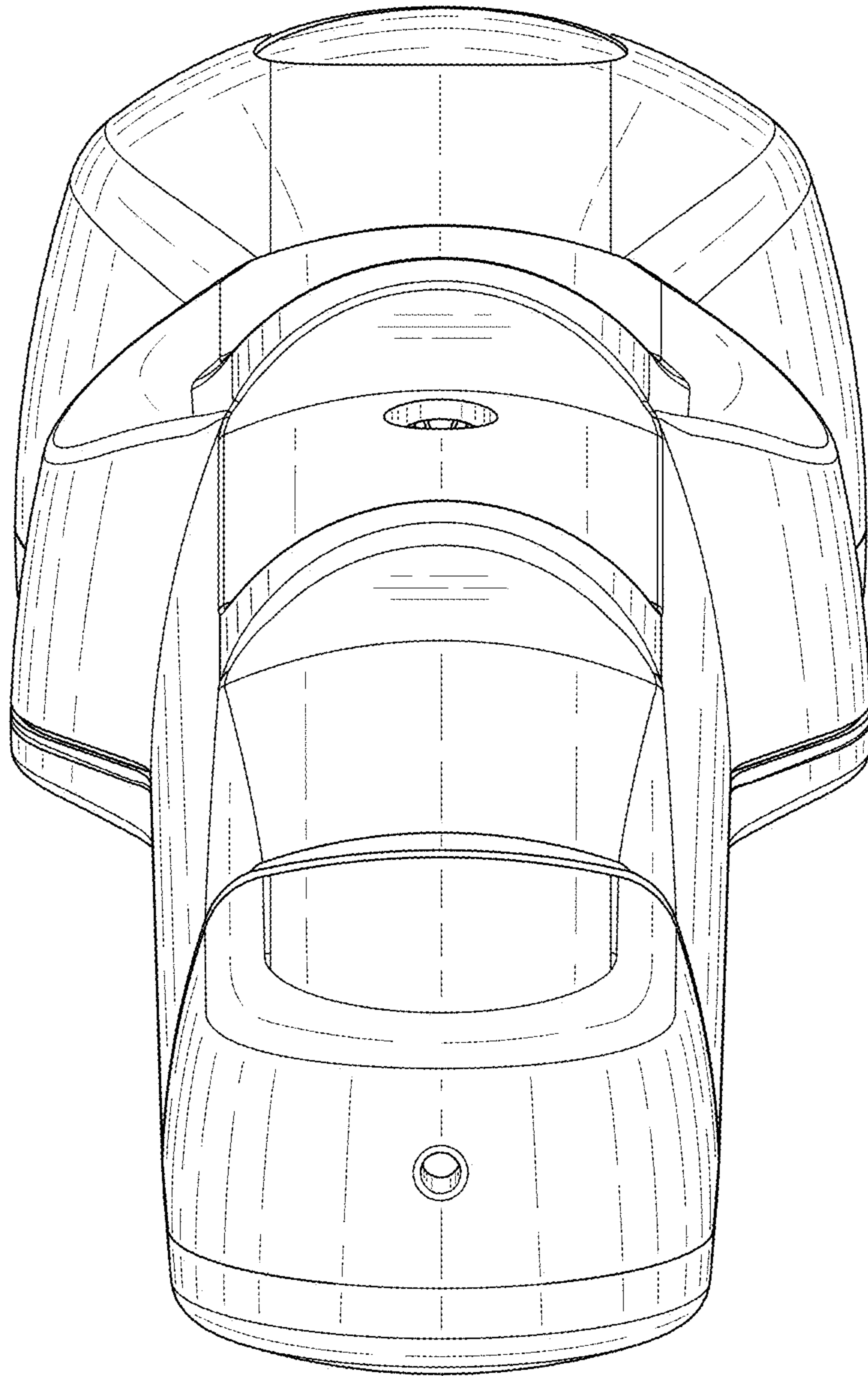


Fig. 13

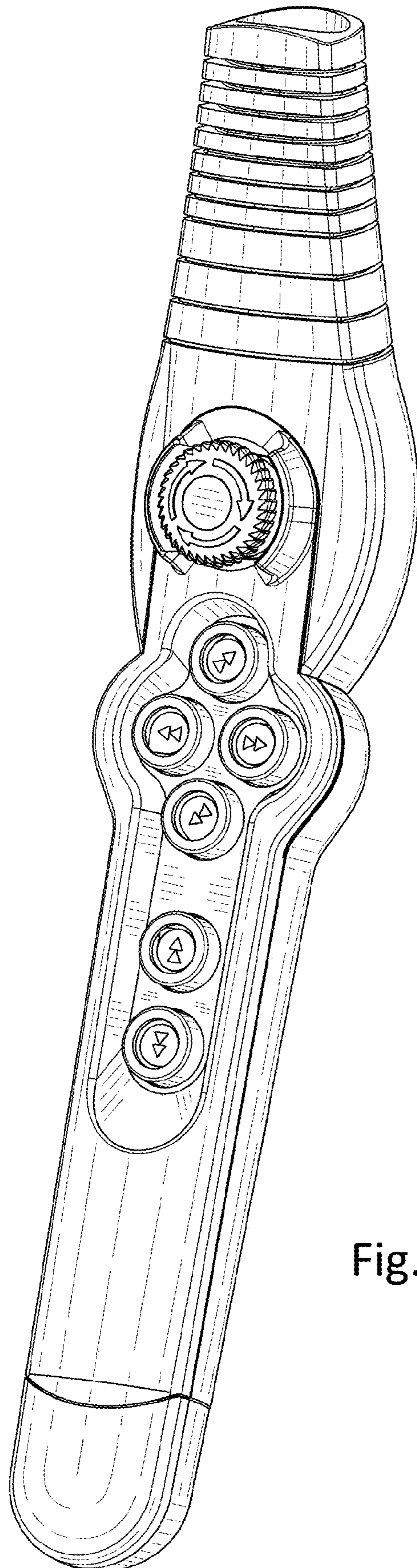


Fig. 14