



US00D875689S

(12) **United States Design Patent**
Smith

(10) **Patent No.:** **US D875,689 S**

(45) **Date of Patent:** **** Feb. 18, 2020**

(54) **CABLE SECURING DEVICE FOR
NON-METALLIC ELECTRICAL CABLE**

(71) Applicant: **Bridgeport Fittings, LLC**, Stratford,
CT (US)

(72) Inventor: **Lawrence J. Smith**, Stamford, CT (US)

(73) Assignee: **Bridgeport Fittings, LLC**, Stratford,
CT (US)

(**) Term: **15 Years**

(21) Appl. No.: **29/636,637**

(22) Filed: **Feb. 9, 2018**

(51) **LOC (12) Cl.** **13-03**

(52) **U.S. Cl.**
USPC **D13/155**

(58) **Field of Classification Search**
USPC D13/154, 156, 155, 133, 153
CPC H01R 4/48; H01R 13/621
See application file for complete search history.

(56) **References Cited**

U.S. PATENT DOCUMENTS

1,736,888 A	11/1929	Selah
1,793,882 A	2/1931	Yanchenko
1,852,381 A	4/1932	Teas
2,195,933 A	4/1940	Marlborough
2,639,927 A	5/1953	Billeter
2,962,542 A	11/1960	Witt
3,306,638 A	2/1967	Rubin
4,169,572 A	10/1979	Simon
4,350,839 A	9/1982	Lass
4,640,980 A	2/1987	Batt
4,723,054 A	2/1988	Billet
4,919,370 A	4/1990	Martin
4,983,784 A	1/1991	Whitlock

(Continued)

FOREIGN PATENT DOCUMENTS

AU	2002219381 B2	9/2002
CN	203241572 U	10/2013
DE	3605063 C1	10/1987

OTHER PUBLICATIONS

PVC Non-Metallic (NM) Cable Connector; printed from Home/
Electrical Fittings/Cable & Cord Connectors/PVC Non-Metallic
(NM) Cable Connector; product listing (prior to Apr. 7, 2015).

(Continued)

Primary Examiner — Bridget L Eland

(74) *Attorney, Agent, or Firm* — Ware, Fressola, Maguire
& Barber LLP

(57) **CLAIM**

The ornamental design for a cable securing device for
non-metallic electrical cable, as shown and described.

DESCRIPTION

FIG. 1 is a rear perspective view of a cable securing device
for non-metallic electrical cable showing my new design.

FIG. 2 is a front perspective thereof.

FIG. 3 is a left side view thereof, the right side view being
a mirror image thereof.

FIG. 4 is a top view thereof, the bottom view being a mirror
image thereof.

FIG. 5 is a rear view thereof.

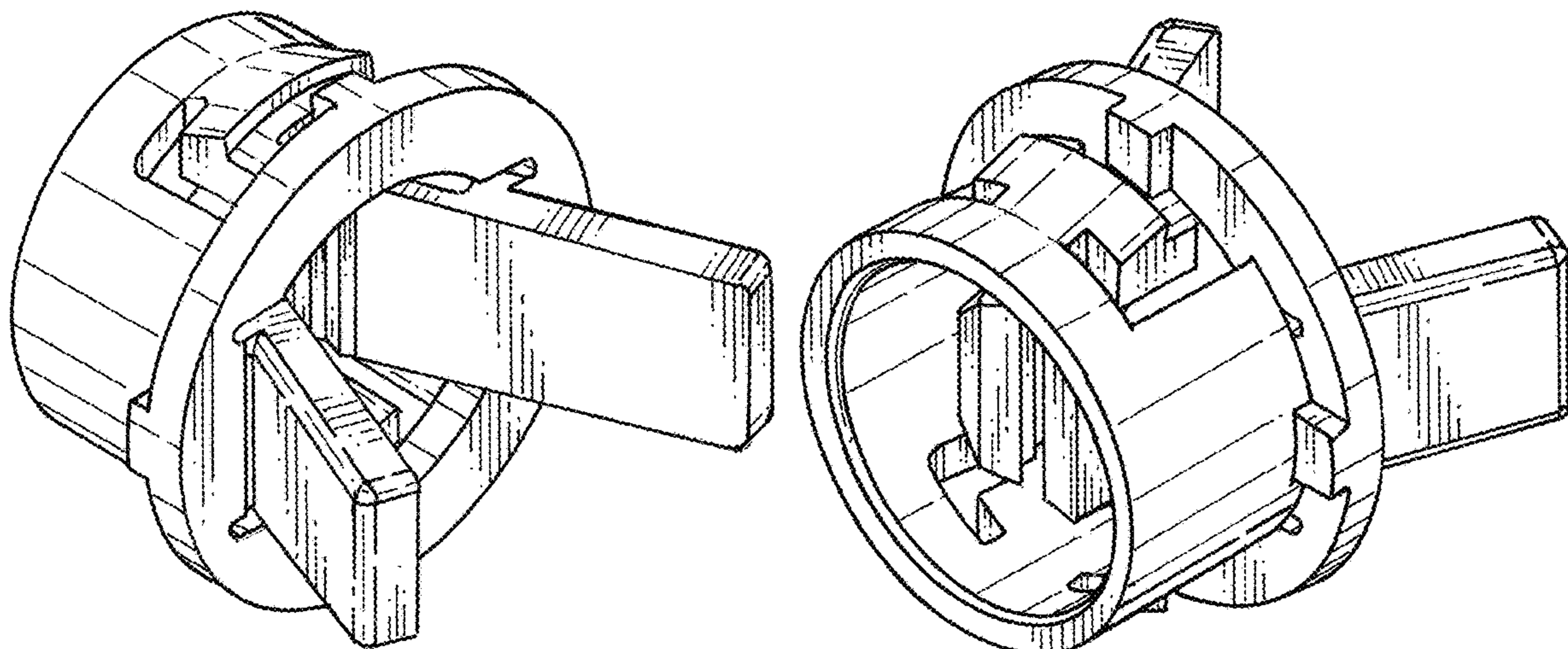
FIG. 6 is a front view thereof.

FIG. 7 is a cross-sectional view taken in the direction of line
7-7 in FIG. 4; and,

FIG. 8 is a cross-sectional view taken in the direction of line
8-8 in FIG. 3.

The broken line hatching shown in FIGS. 7 and 8 is included
for the purpose of illustrating portions of the cable securing
device for non-metallic electrical cable that forms no part of
the claimed design.

1 Claim, 4 Drawing Sheets



(56)

References Cited

U.S. PATENT DOCUMENTS

D316,402 S * 4/1991 Baker D13/156
 5,118,057 A 6/1992 Martin
 5,374,017 A 12/1994 Martin et al.
 5,799,984 A 9/1998 Reynolds, Jr.
 5,912,431 A 6/1999 Sheehan
 6,034,326 A 3/2000 Jorgensen
 6,160,216 A 12/2000 McMahon
 6,194,661 B1 2/2001 Gretz
 D439,564 S * 3/2001 Huang D13/153
 6,352,439 B1 3/2002 Stark et al.
 6,355,884 B1 3/2002 Gretz
 6,521,831 B1 2/2003 Gretz
 6,916,988 B1 7/2005 Auray et al.
 7,005,581 B2 2/2006 Bumette
 7,057,107 B2 6/2006 Auray et al.
 7,064,272 B2 6/2006 Auray et al.
 7,075,007 B2 7/2006 Auray et al.
 7,078,623 B1 7/2006 Sheehan
 7,151,223 B2 12/2006 Auray et al.
 7,154,042 B2 12/2006 Auray et al.
 7,161,095 B1 1/2007 Gretz
 7,205,489 B2 4/2007 Auray et al.
 7,211,744 B2 5/2007 Jorgensen
 7,304,251 B1 12/2007 Gretz
 7,358,448 B2 4/2008 Auray et al.
 7,402,752 B1 7/2008 Kiely
 7,488,905 B2 2/2009 Kiely et al.
 7,615,714 B2 11/2009 Pyron et al.
 7,723,623 B2 5/2010 Kiely et al.
 7,820,922 B2 10/2010 Auray et al.
 7,824,213 B1 11/2010 Korcz
 7,952,034 B2 5/2011 Kiely et al.
 8,119,933 B2 2/2012 Auray et al.

8,124,891 B1 2/2012 Gretz
 8,242,369 B2 8/2012 Kiely
 8,253,043 B1 8/2012 Kiely
 8,487,196 B1 7/2013 Baldwin et al.
 8,857,039 B2 10/2014 Sathyanarayana et al.
 D719,520 S * 12/2014 DeCosta D13/155
 D719,521 S * 12/2014 DeCosta D13/155
 D771,569 S * 11/2016 Smith D13/151
 D775,590 S 1/2017 Smith
 9,608,417 B2 3/2017 Smith
 D792,855 S 7/2017 Smith
 D795,814 S 8/2017 Smith
 D815,604 S * 4/2018 Smith D13/155
 D828,308 S * 9/2018 Smith D13/155
 2004/0057187 A1 3/2004 Kuboshima
 2008/0277160 A1 11/2008 Auray
 2009/0130903 A1 5/2009 Tsukashima
 2010/0084854 A1 4/2010 Sathyanarayana et al.
 2010/0163304 A1 7/2010 Auray
 2010/0261365 A1 10/2010 Sakakura
 2011/0290550 A1 12/2011 Kiely
 2013/0157491 A1 6/2013 Chavan et al.
 2014/0262486 A1 9/2014 Korcz
 2015/0280411 A1 10/2015 Plathe
 2015/0357806 A1 12/2015 Korcz
 2016/0301146 A1* 10/2016 Smith H02G 3/065

OTHER PUBLICATIONS

New Products: Duplex Connector, Cable Pulling Grips & More; Whipper Snap design (Bridgeport Fittings); Electrical Construction and Maintenance; Jun. 22, 2012.
 Wire Connector Set; <http://www.seedstudio.com/depot/>; product page (prior to Apr. 7, 2015).

* cited by examiner

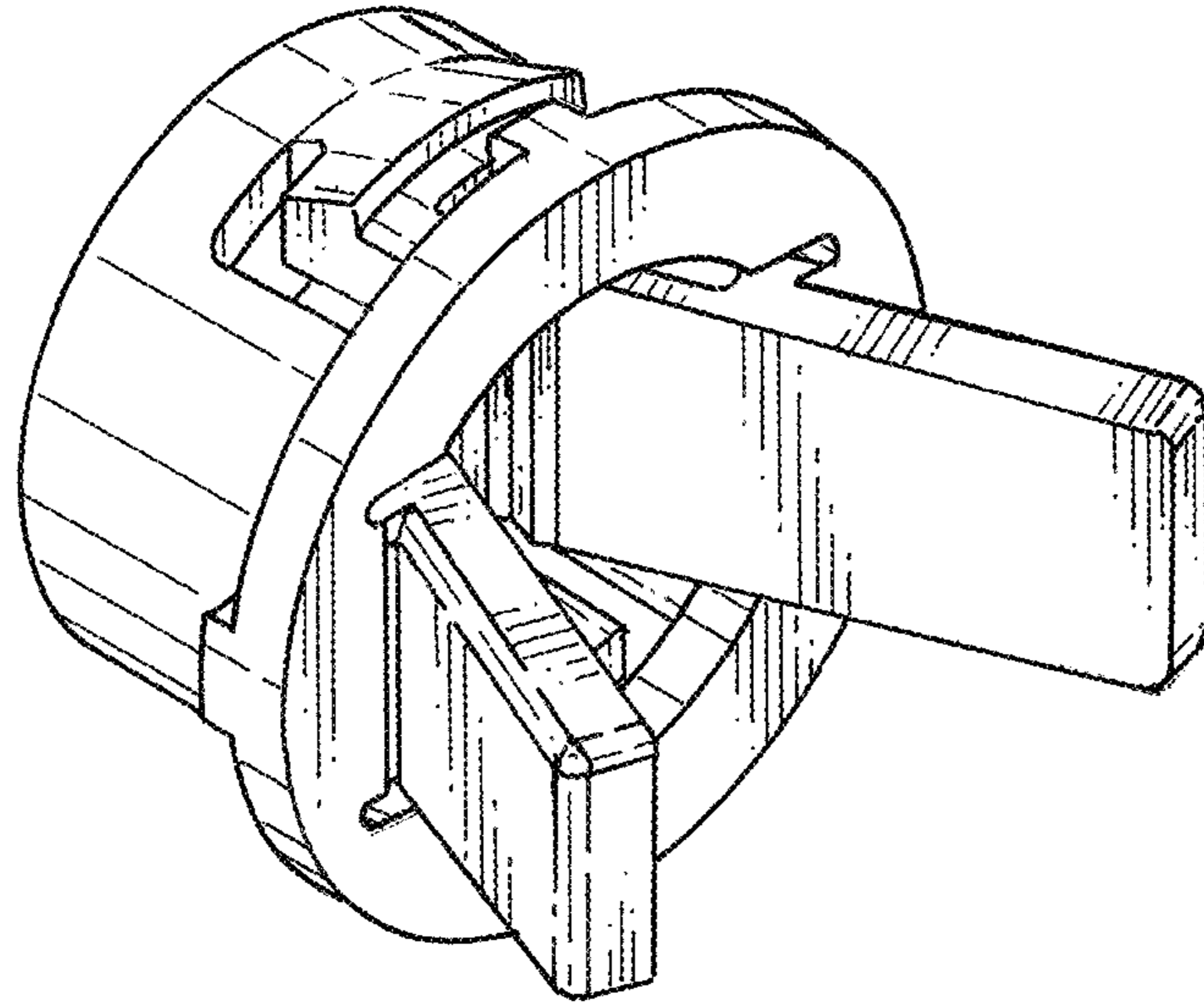


FIG. 1

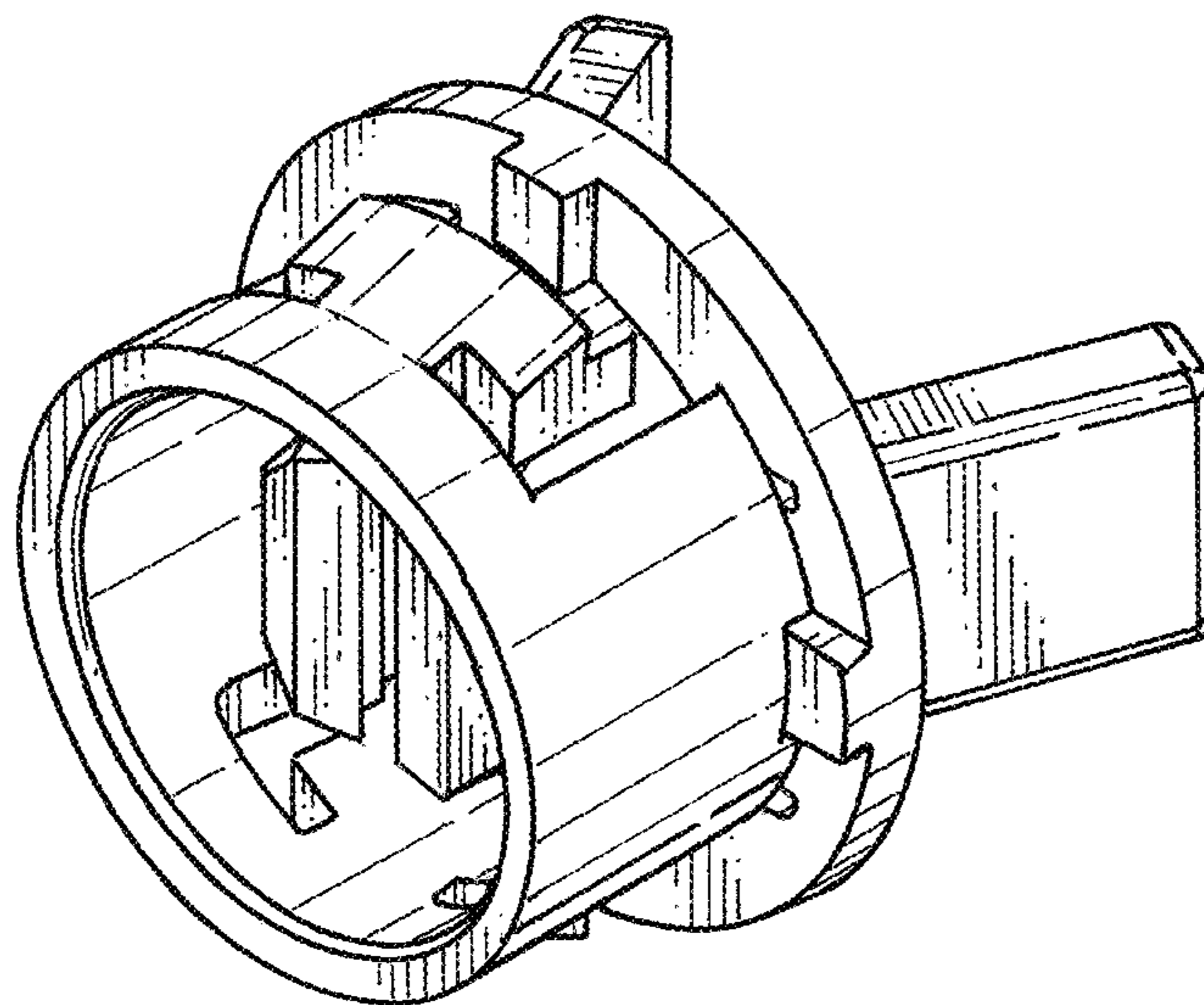


FIG. 2

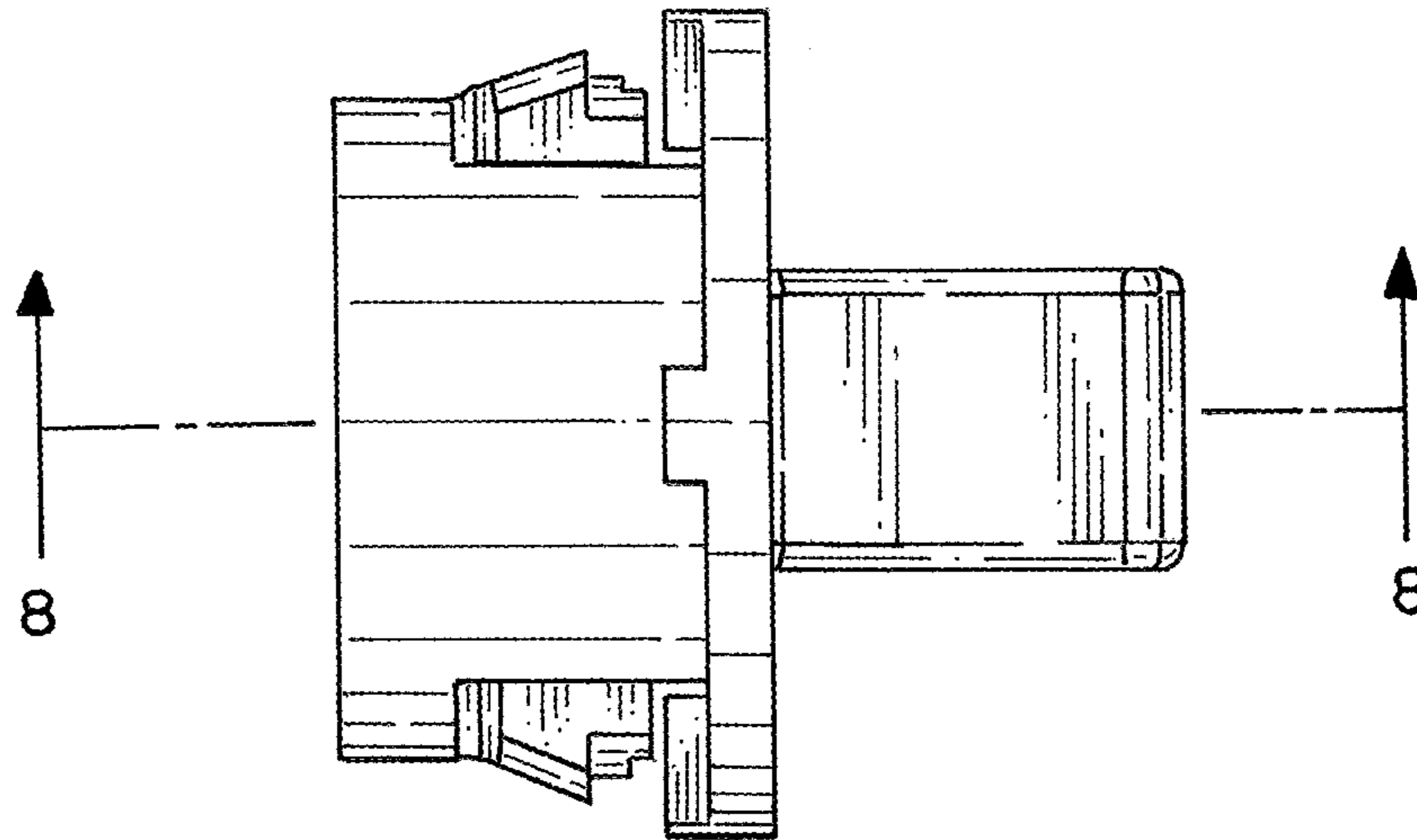


FIG. 3

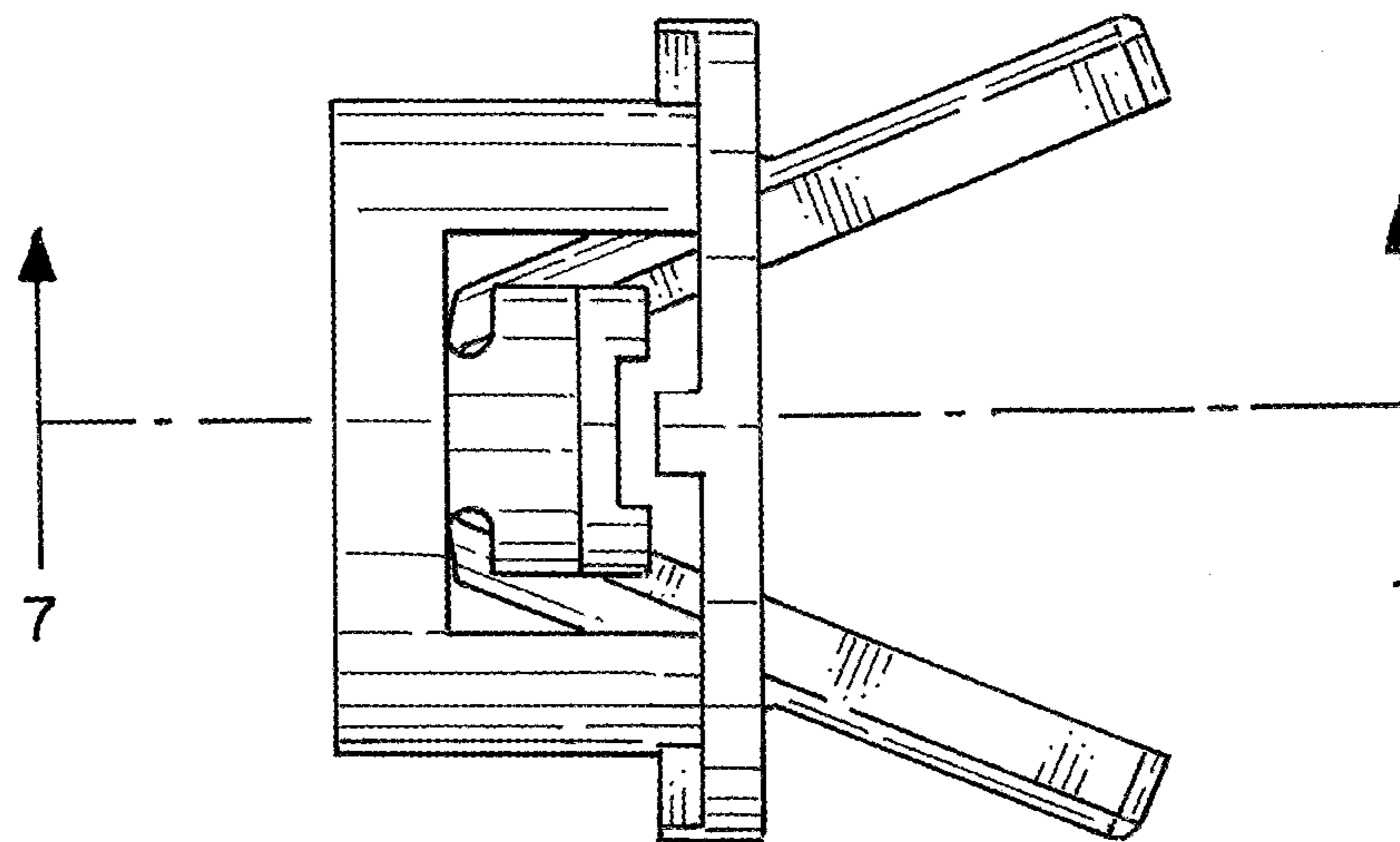


FIG. 4

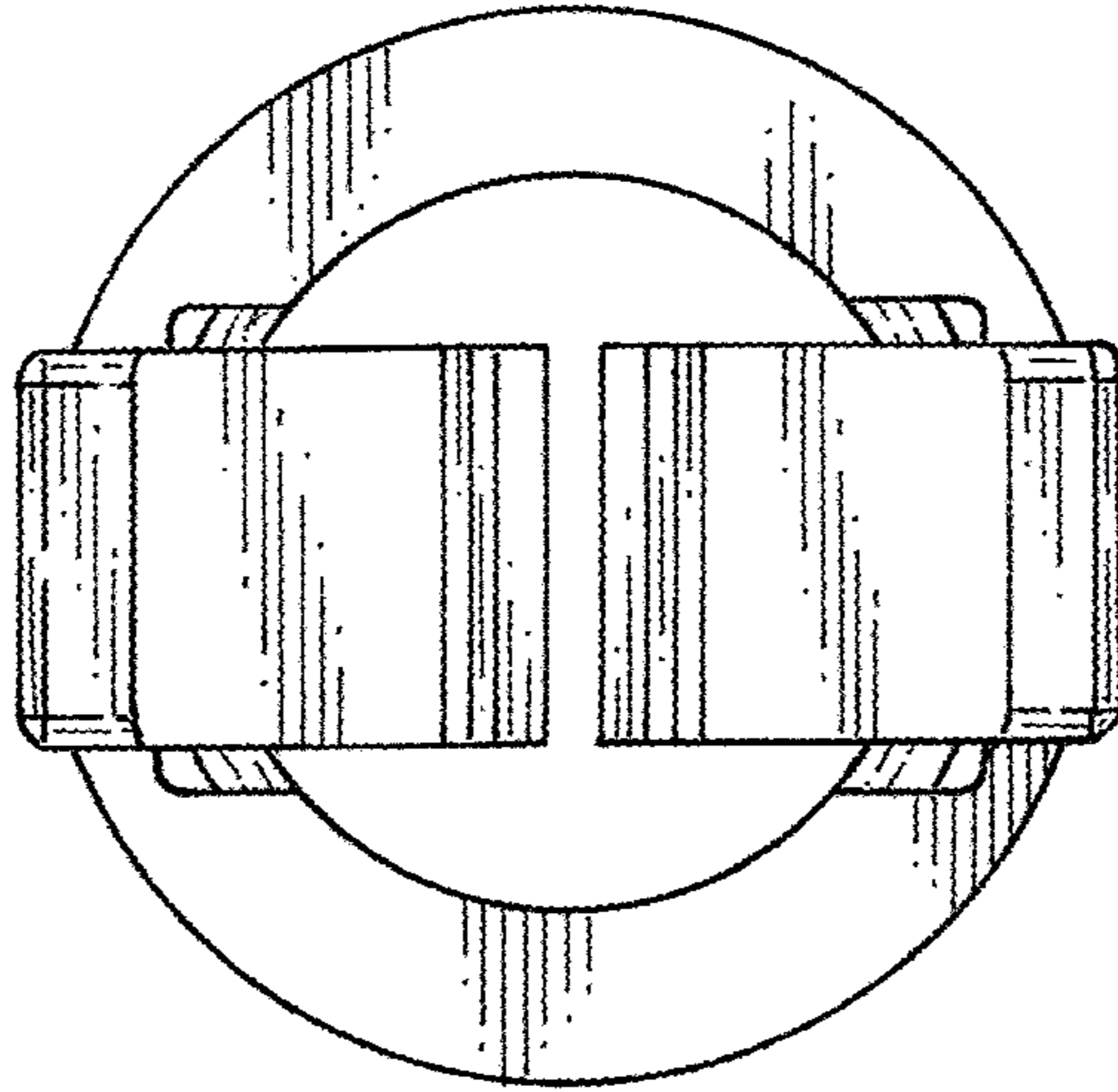


FIG. 5

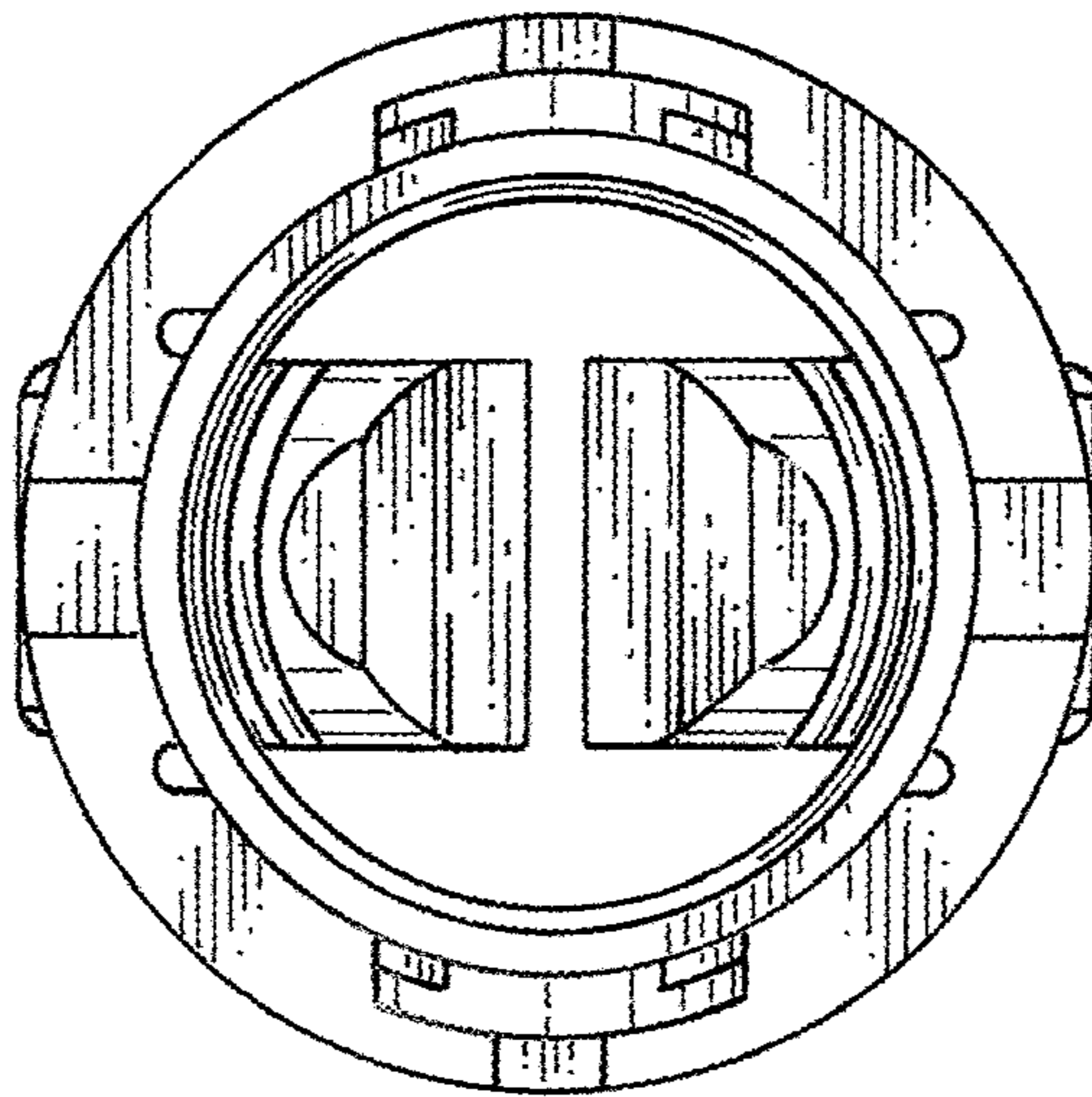


FIG. 6

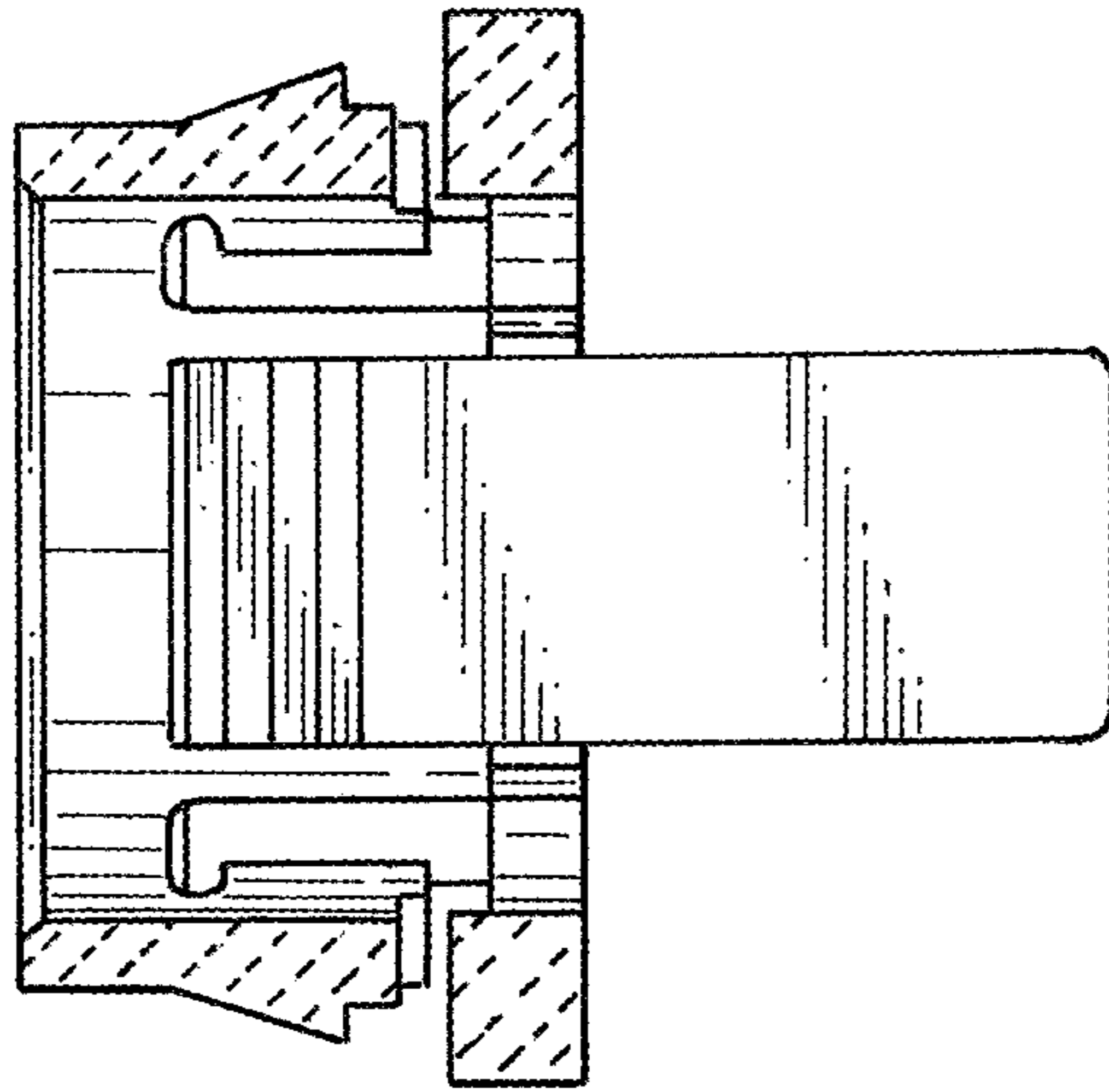


FIG. 7

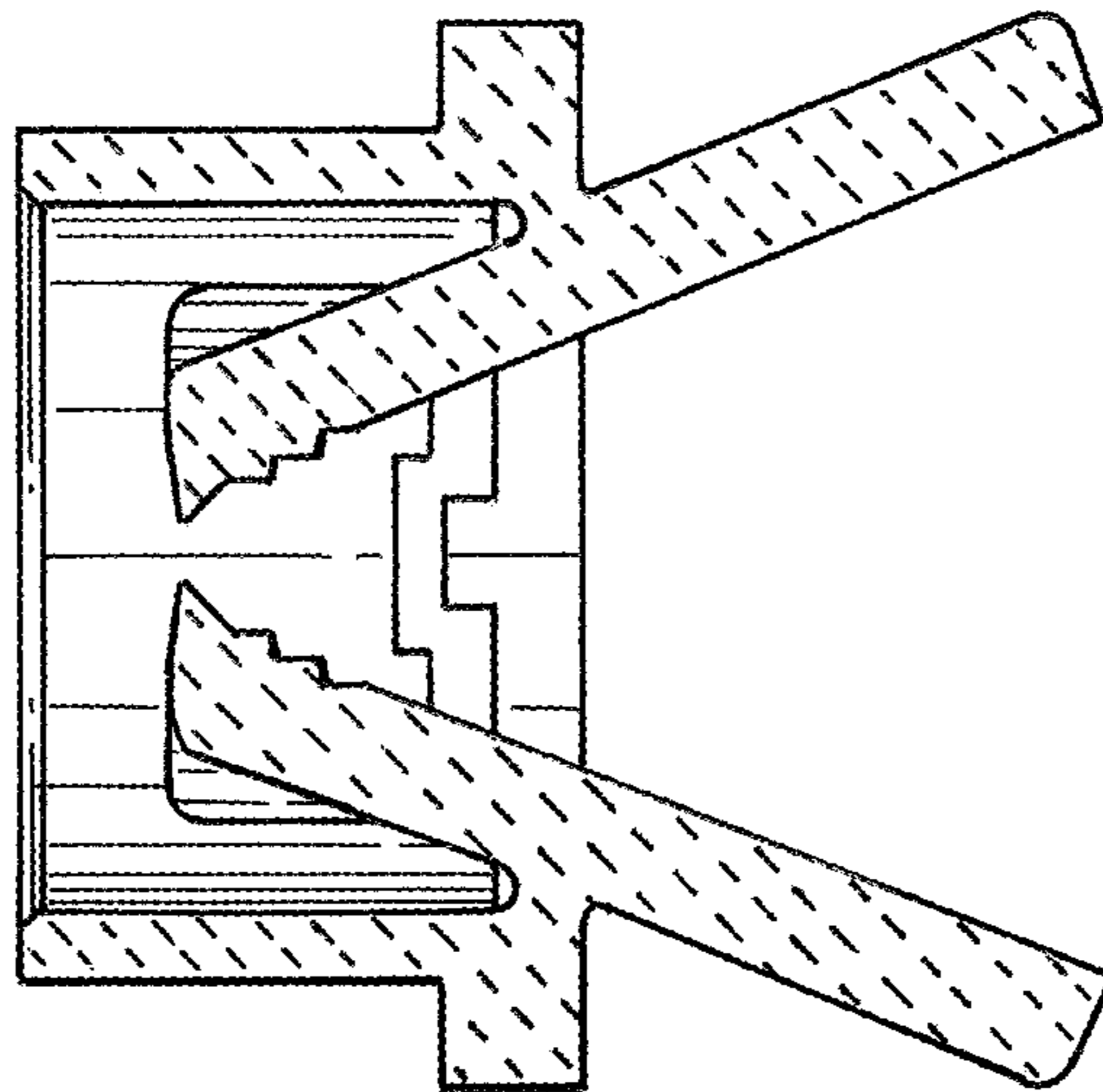


FIG. 8