



US00D875684S

(12) **United States Design Patent**
Eshelman et al.

(10) **Patent No.:** **US D875,684 S**

(45) **Date of Patent:** **** Feb. 18, 2020**

(54) **POWER STRIP**

(71) Applicant: **360 Electrical, L.L.C.**, Salt Lake City, UT (US)

(72) Inventors: **Brandon Eshelman**, Salt Lake City, UT (US); **Cameron Bigler**, Lehi, UT (US); **Adam Boushley**, Midvale, UT (US)

(73) Assignee: **360 Electrical, L.L.C.**, Salt Lake City, UT (US)

(**) Term: **15 Years**

(21) Appl. No.: **29/662,102**

(22) Filed: **Aug. 31, 2018**

(51) **LOC (12) Cl.** **13-03**

(52) **U.S. Cl.**
USPC **D13/137.2**

(58) **Field of Classification Search**
USPC D13/103, 107, 108, 110, 118, 119, 123, D13/133, 137.1–137.4, 138.1–138.2, D13/139.1–139.8, 152–154, 184, 199
CPC H01R 25/00; H01R 25/006; H01R 13/00; H01R 13/04; H01R 13/10; H01R 13/6666; H01R 13/6675; H01R 9/00; H01R 11/00; H01H 2207/00; H01H 2207/022; H01H 2203/00; H02J 7/00; H02J 7/0003; H02J 7/0011; H02J 7/0013; H02J 7/0054; H02J 7/0055; H02J 7/0057; H01M 2/02; H01M 2/022; H01M 2/0202; H01M 2/0207; H01M 2/0212; H01M 2220/10; H01M 2220/20; Y02E 60/12; Y02E 60/122; Y02E 60/124; Y02E 60/50

See application file for complete search history.

(56) **References Cited**

U.S. PATENT DOCUMENTS

D750,022 S *	2/2016	Lin	D13/137.2
D755,127 S *	5/2016	Wong	D13/137.2
D826,162 S *	8/2018	Byrne	D13/139.7
D835,043 S *	12/2018	Liao	D13/137.3
D845,900 S *	4/2019	Liu	D13/137.2
D848,948 S *	5/2019	Wei	D13/137.2
D849,687 S *	5/2019	Dai	D13/137.2
D851,597 S *	6/2019	Ding	D13/137.2
D852,138 S *	6/2019	Wen	D13/137.1
D852,139 S *	6/2019	Wen	D13/137.1
D852,140 S *	6/2019	Chen	D13/137.2
D856,934 S *	8/2019	Levy	D13/137.2

* cited by examiner

Primary Examiner — Rosemary K Tarcza

Assistant Examiner — Christy M Nemeth

(74) *Attorney, Agent, or Firm* — Lauff Law PLLC

(57) **CLAIM**

The ornamental design for a power strip, substantially as shown and described.

DESCRIPTION

FIG. 1 is a left front upper perspective view of the power strip;

FIG. 2 is a right back lower perspective view thereof;

FIG. 3 is a left elevation view thereof;

FIG. 4 is a right elevation view thereof;

FIG. 5 is an top plan view thereof;

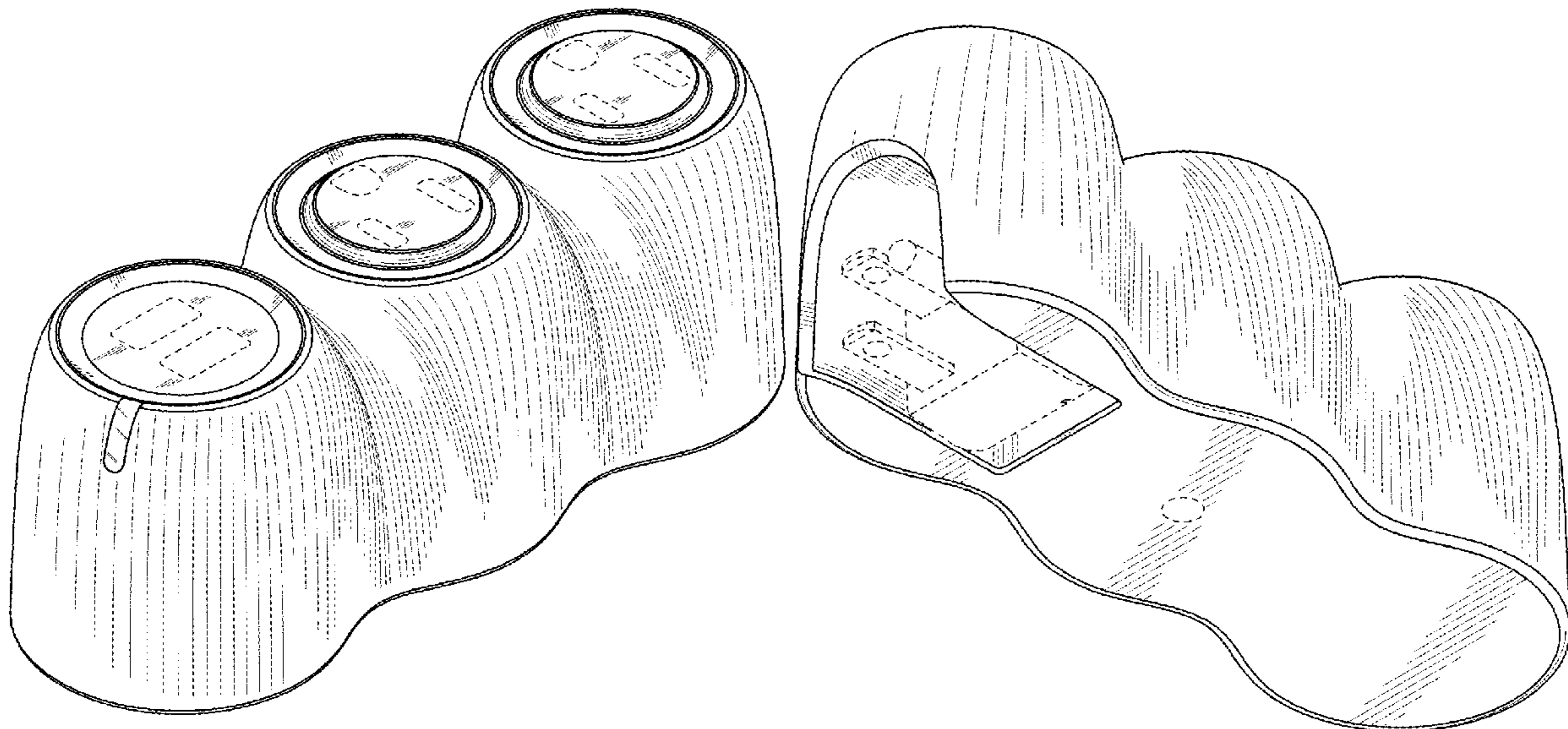
FIG. 6 is a bottom plan view thereof;

FIG. 7 is a front elevation view thereof; and,

FIG. 8 is a back elevation view thereof.

The broken lines in the drawings are for the purpose of illustrating environment and portions of the power strip that form no part of the claimed design.

1 Claim, 3 Drawing Sheets



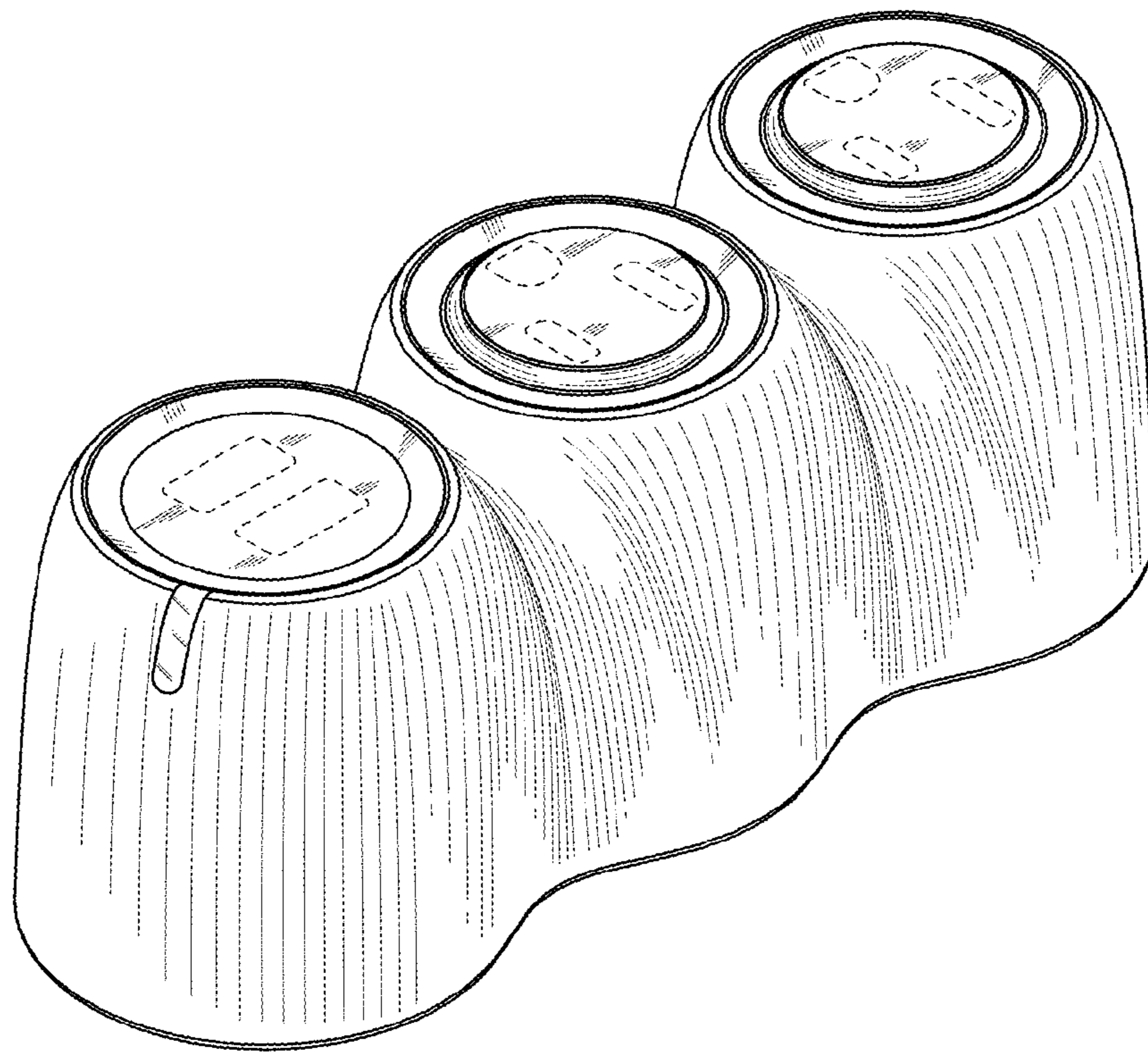


FIG. 1

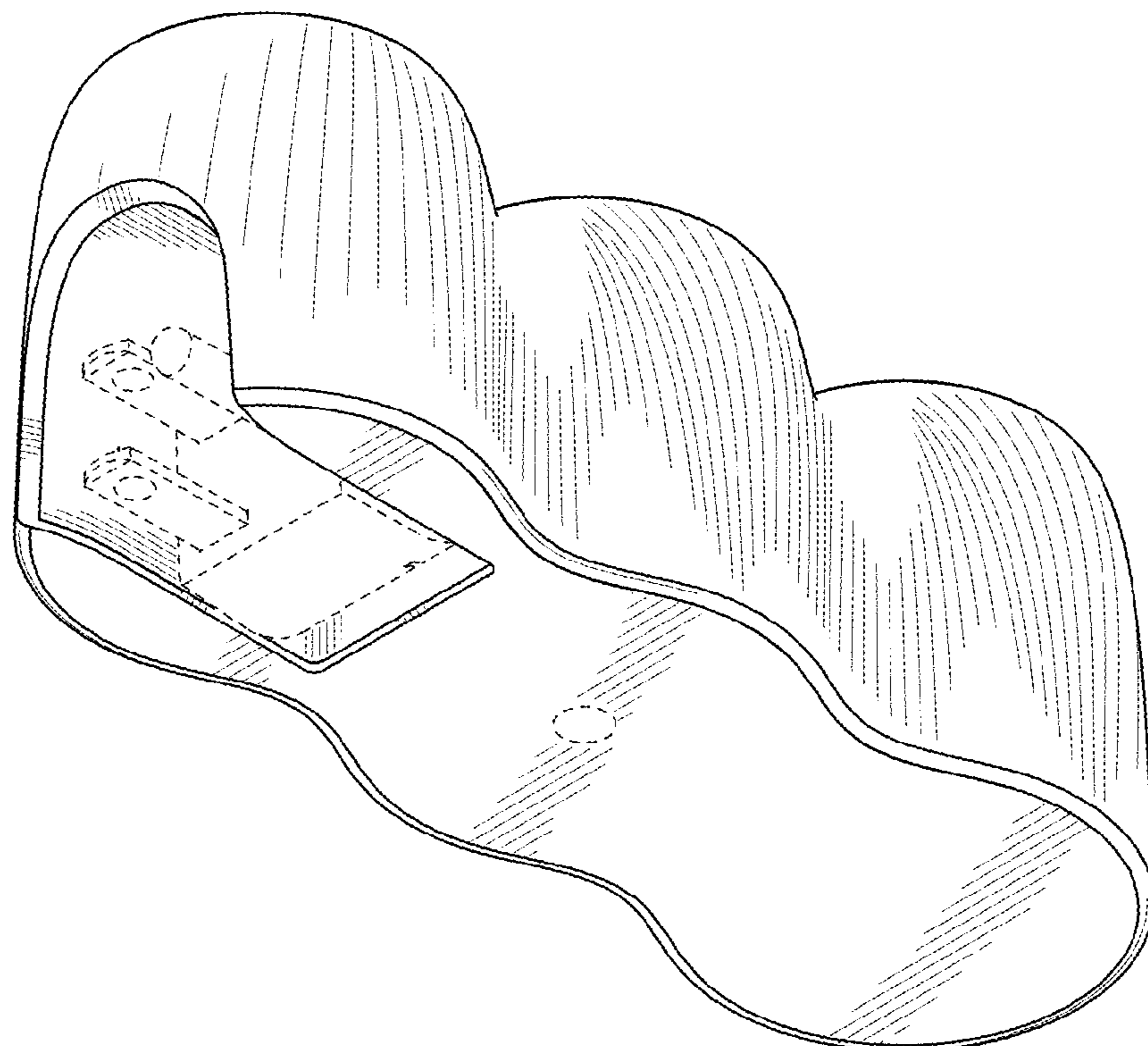


FIG. 2

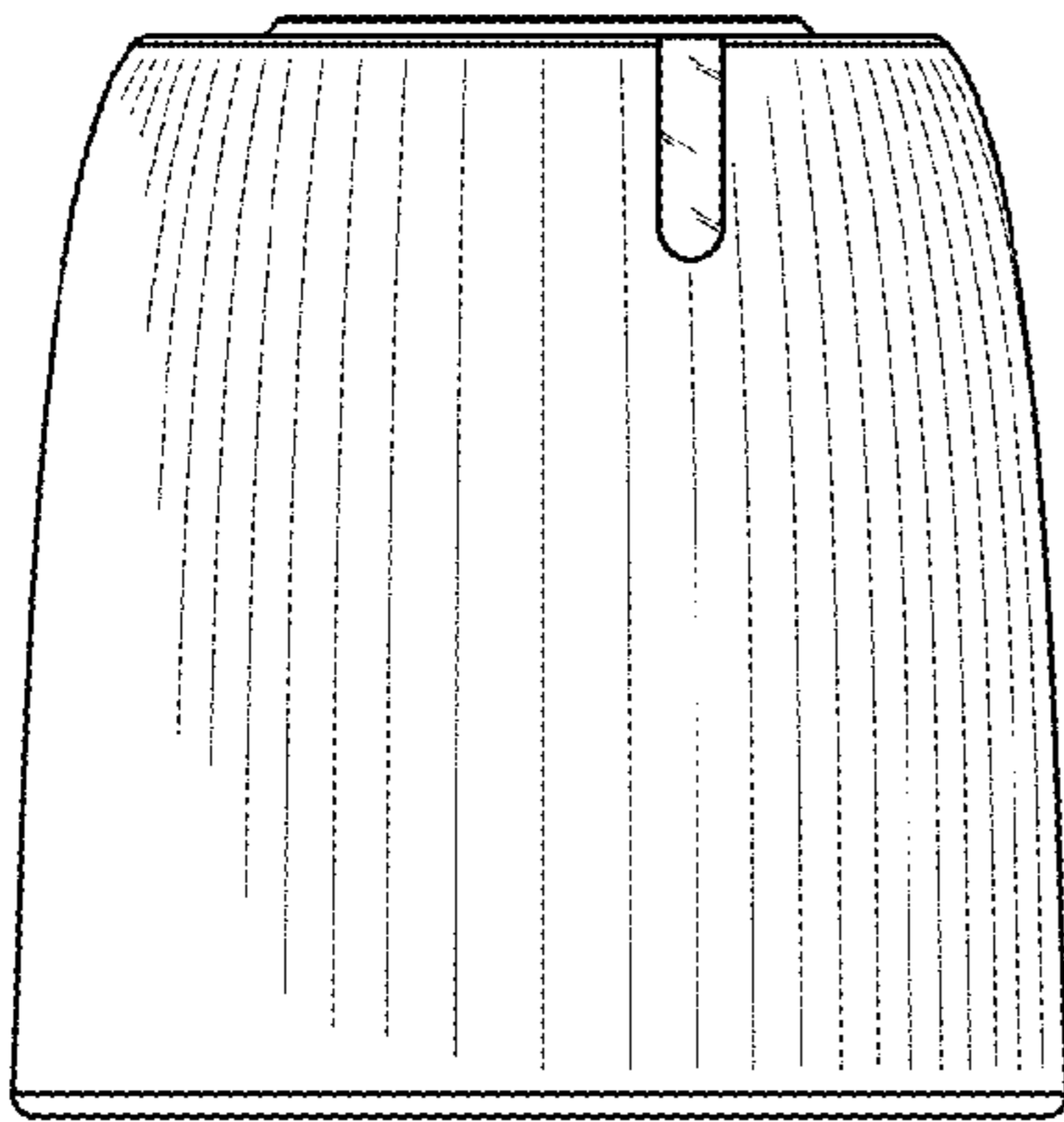


FIG. 3

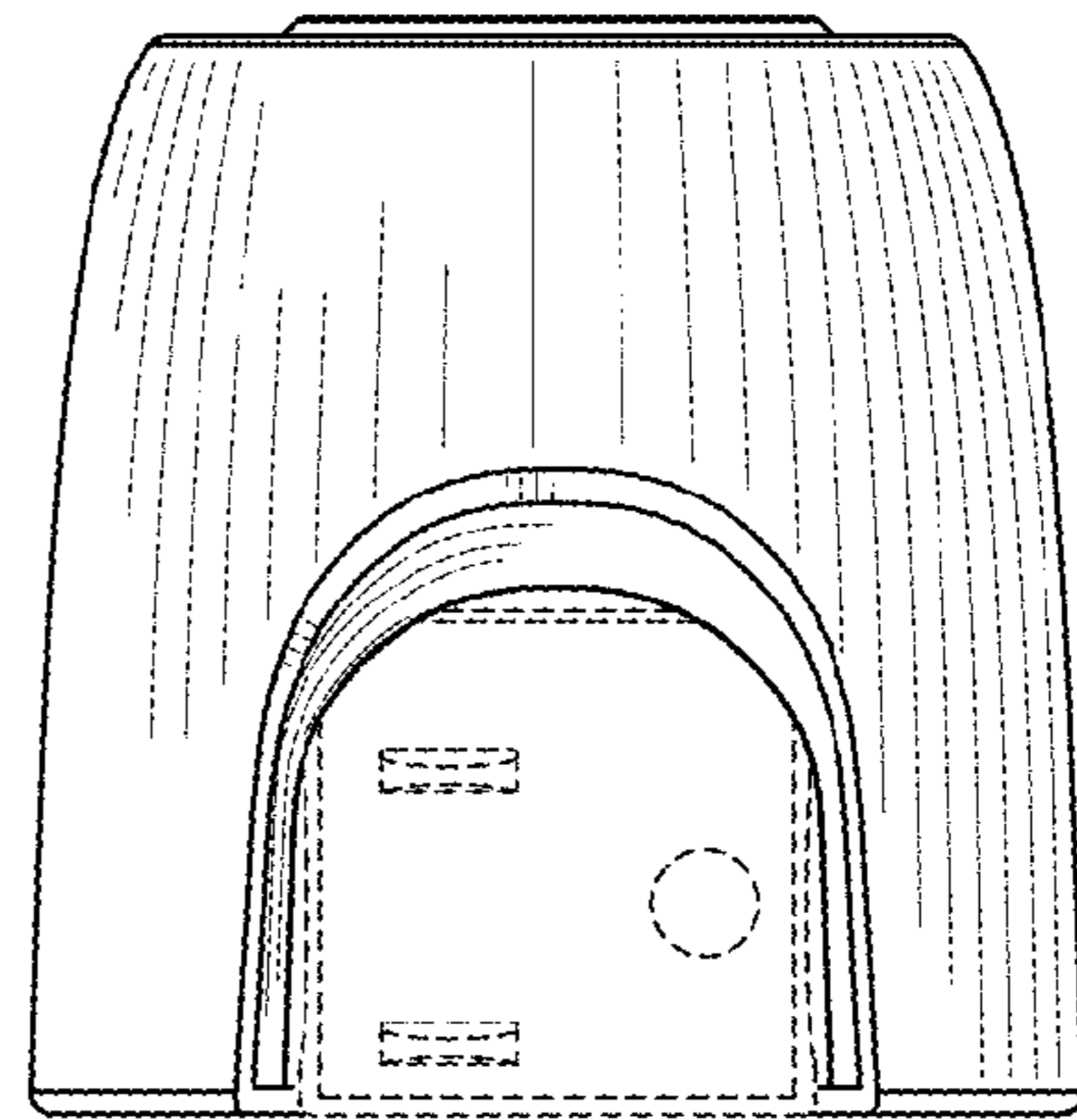


FIG. 4

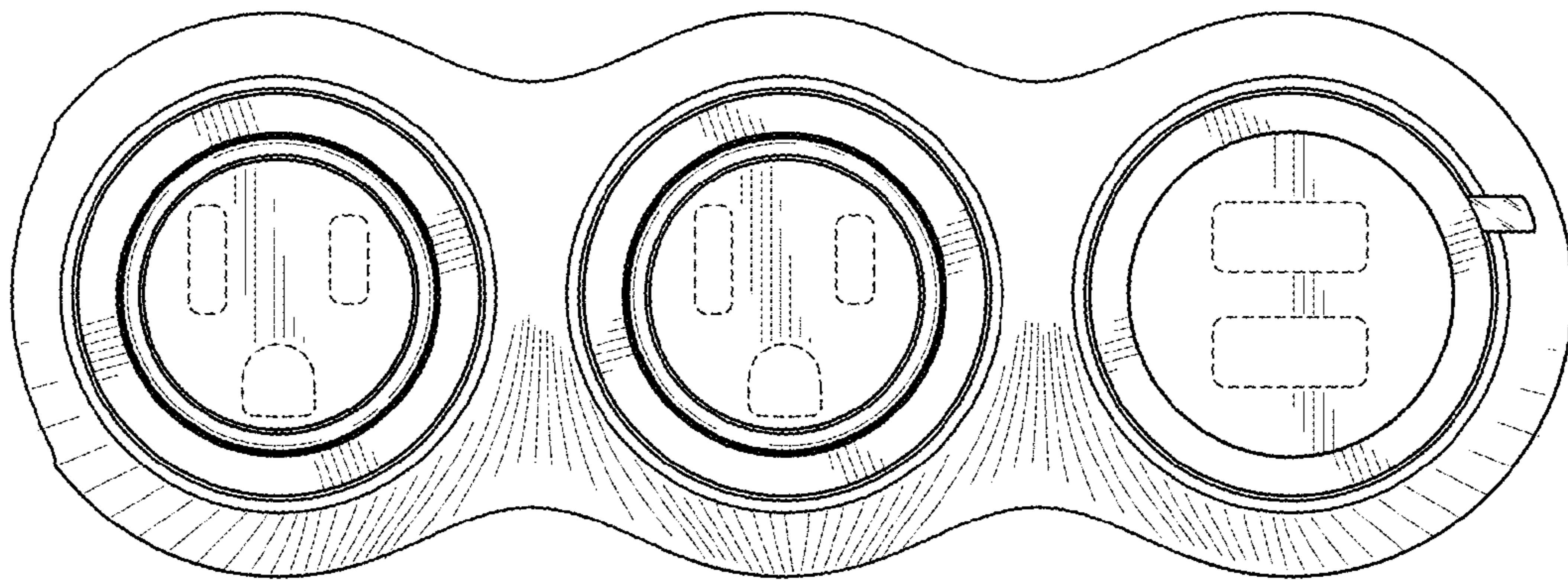


FIG. 5

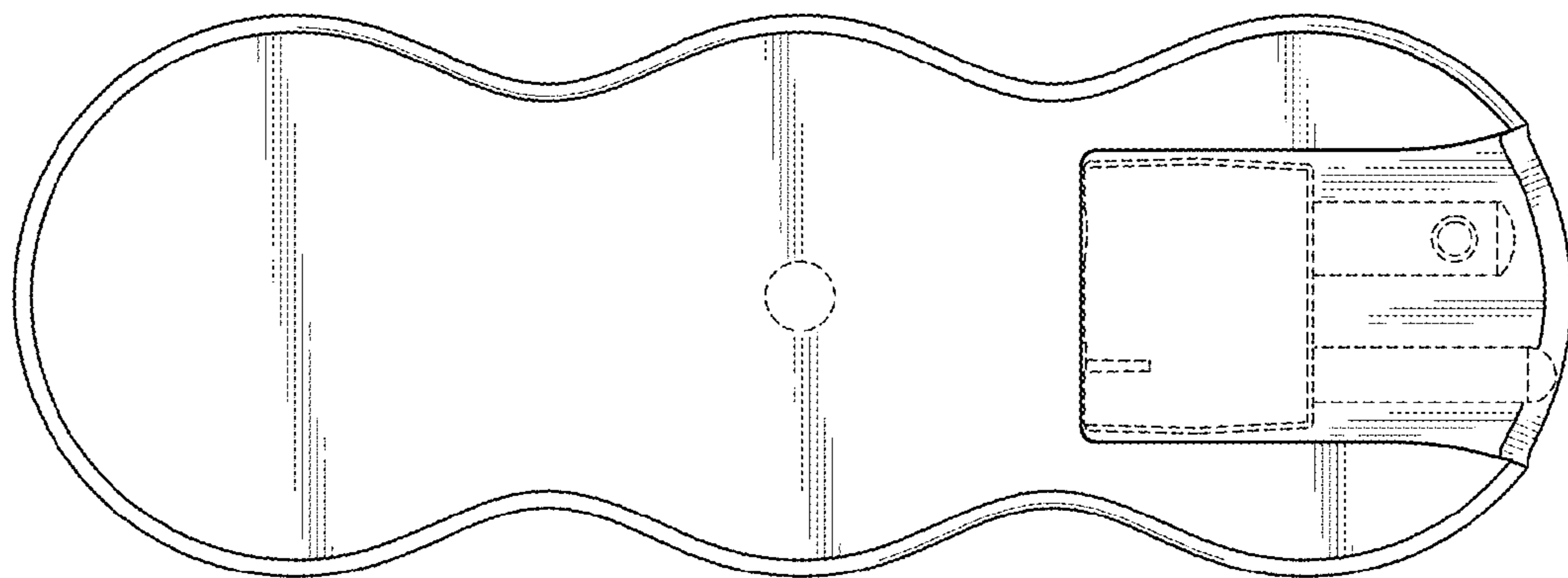


FIG. 6

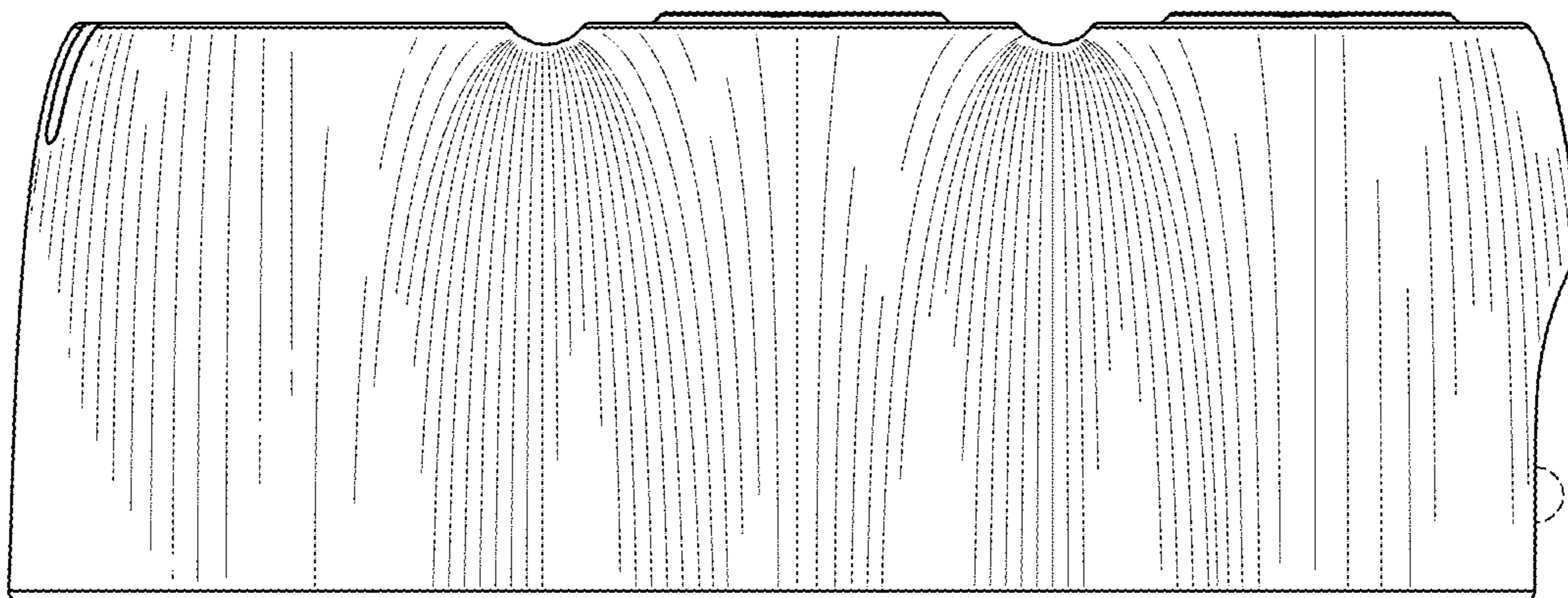


FIG. 7

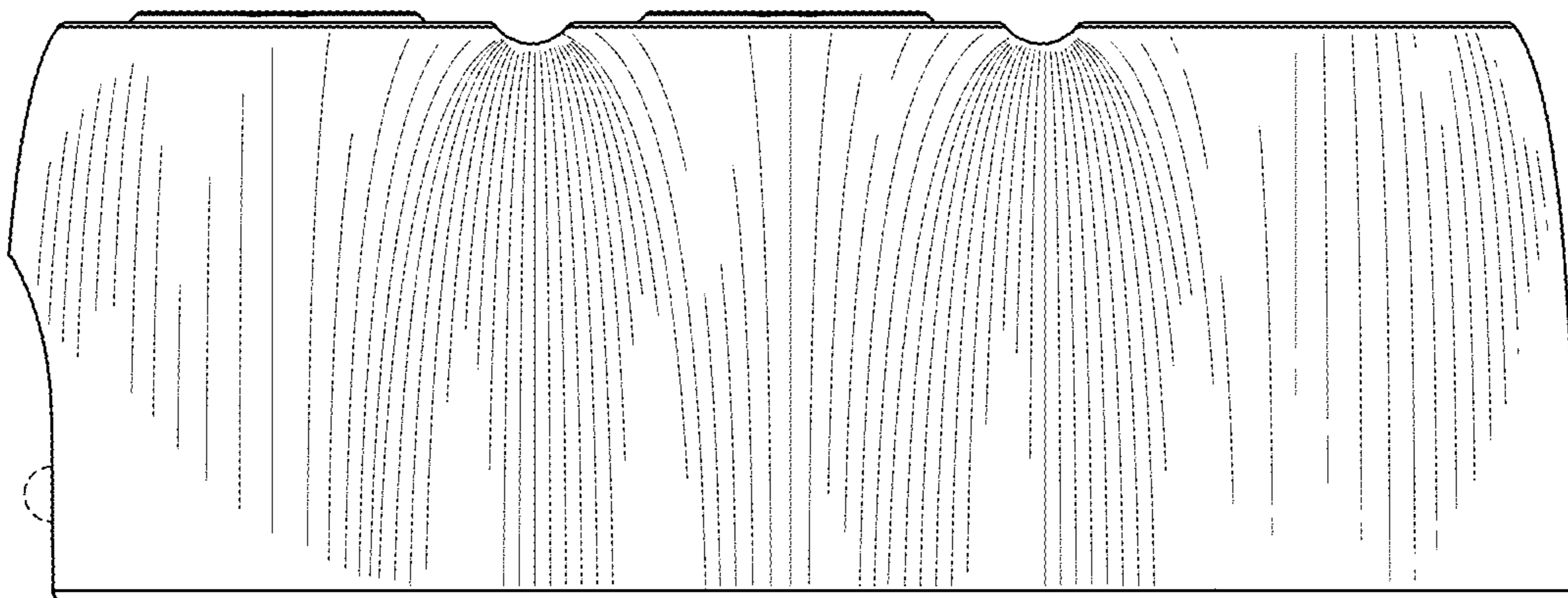


FIG. 8