



US00D875680S

(12) **United States Design Patent** (10) **Patent No.:** **US D875,680 S**
Chou et al. (45) **Date of Patent:** **** Feb. 18, 2020**

(54) **POWER SUPPLY FOR LIGHT EMITTING DEVICE**

(71) Applicant: **Delta Electronics, Inc.**, Taoyuan (TW)

(72) Inventors: **Ching-Ho Chou**, Taoyuan (TW);
Po-Heng Chao, Taoyuan (TW);
Hung-Chi Chen, Taoyuan (TW)

(73) Assignee: **DELTA ELECTRONICS, INC.**,
Taoyuan (TW)

(**) Term: **15 Years**

(21) Appl. No.: **29/654,159**

(22) Filed: **Jun. 21, 2018**

(51) **LOC (12) Cl.** **13-02**

(52) **U.S. Cl.**
USPC **D13/110**

(58) **Field of Classification Search**
 USPC ... D13/110, 103, 107, 108, 123, 133, 137.1,
 D13/138.1, 139.1, 144, 180, 199; 174/53,
 174/54, 59, 61; 307/150, 151; 320/111,
 320/114; 363/132, 140, 142, 143, 146;
 439/105, 131, 166, 171-173, 218, 222,
 439/345, 518, 692, 956; D14/240, 251,
 D14/253, 432, 433, 434
 CPC H01R 13/00; H01R 13/44; H01R 25/00;
 H01R 27/00; H01R 27/02; H01R 31/06;
 H01R 31/065; H02J 1/00; H02J 7/00;
 H02J 7/0044; H02J 3/005; H01M 10/46;
 H03B 5/04

See application file for complete search history.

(56) **References Cited**

U.S. PATENT DOCUMENTS

D344,709	S	*	3/1994	Cooper	D13/110
D550,617	S	*	9/2007	Wang	D13/101
D597,039	S	*	7/2009	Hakata	D13/180
D606,936	S	*	12/2009	Nakayama	D13/110
D677,624	S	*	3/2013	Goodman	D13/112
D701,630	S	*	3/2014	Nagashima	D26/3
2004/0246662	A1	*	12/2004	Thurk	H02M 1/44 361/631

* cited by examiner

Primary Examiner — Derrick E Holland

(74) *Attorney, Agent, or Firm* — Muncy, Geissler, Olds & Lowe, P.C.

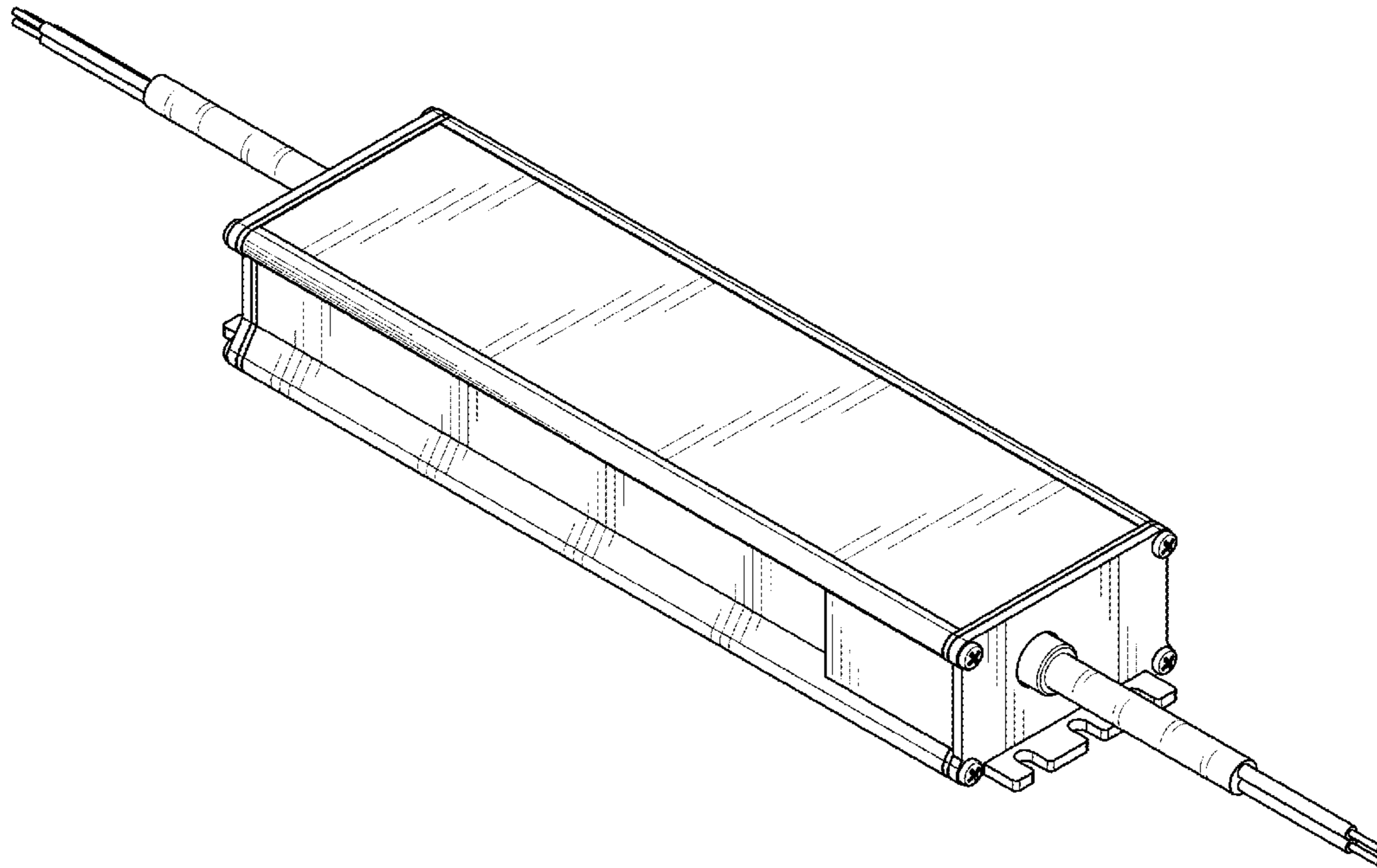
(57) **CLAIM**

The ornamental design for a power supply for light emitting device, as shown and described.

DESCRIPTION

FIG. 1 is a perspective view of a power supply for light emitting device showing our new design;
 FIG. 2 is a front view thereof;
 FIG. 3 is a rear view thereof;
 FIG. 4 is a left side view thereof;
 FIG. 5 is a right side view thereof;
 FIG. 6 is a top view thereof; and,
 FIG. 7 is a bottom view thereof.

1 Claim, 6 Drawing Sheets



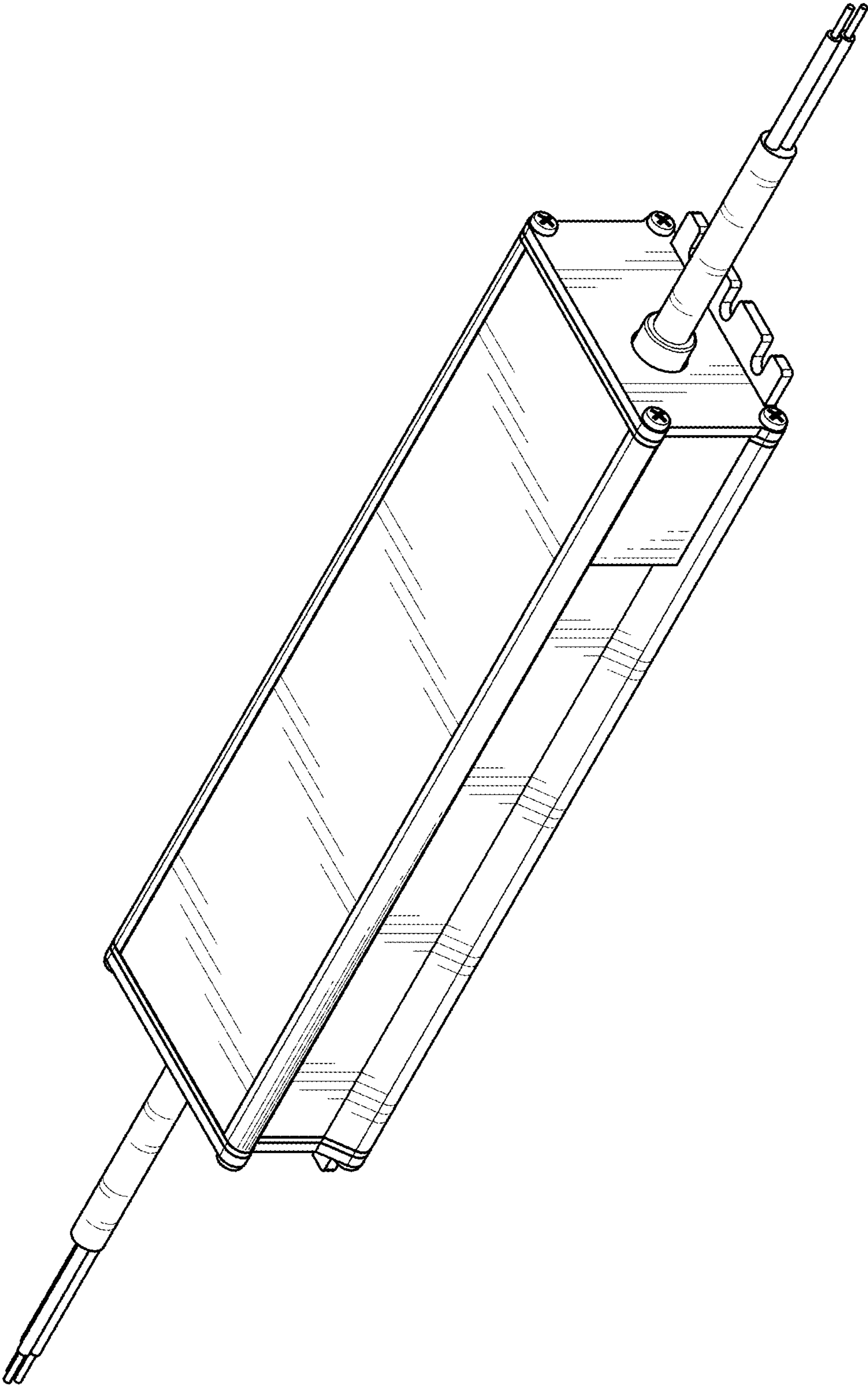


FIG. 1

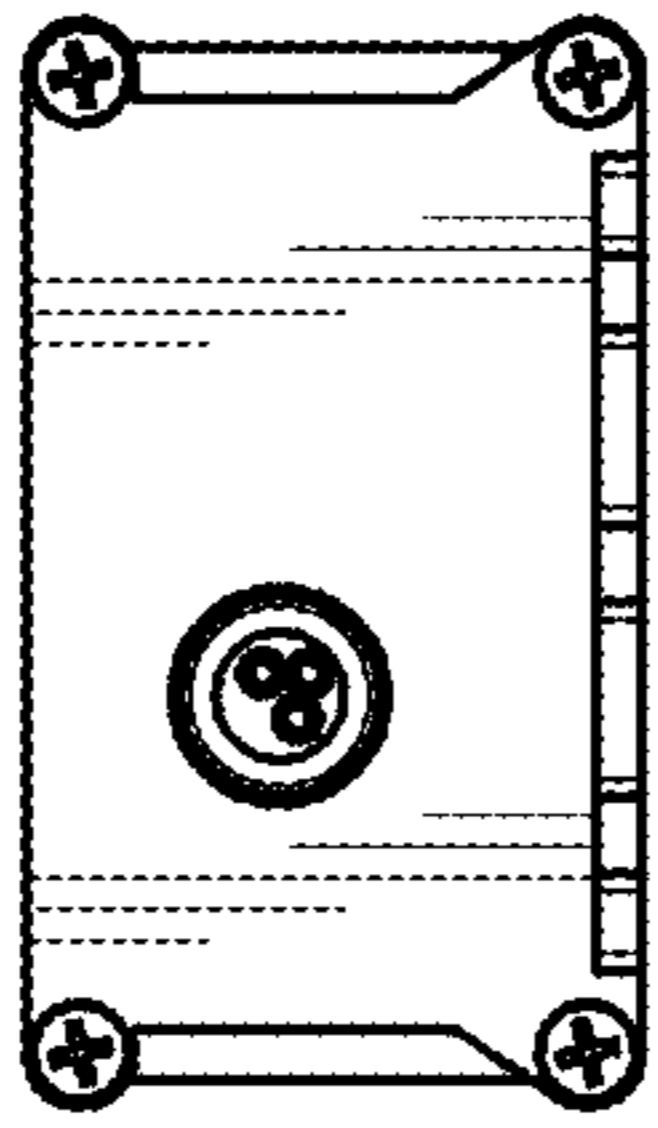


FIG. 2

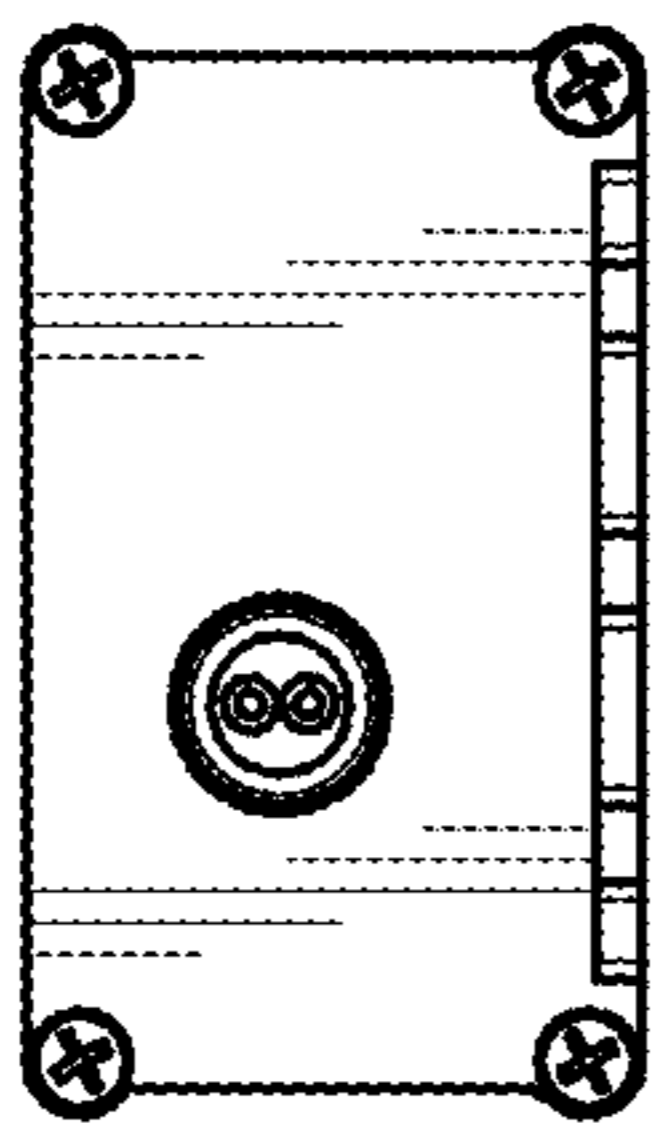


FIG. 3

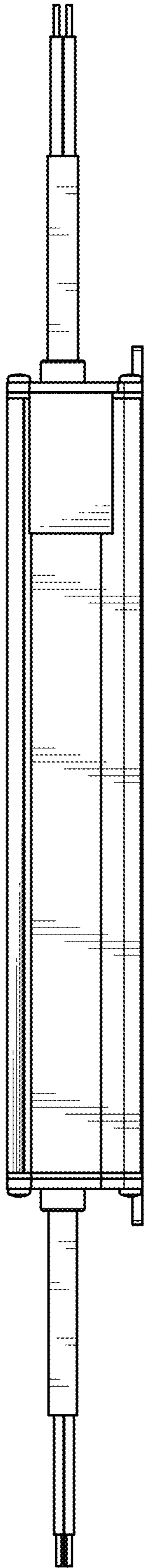


FIG. 4

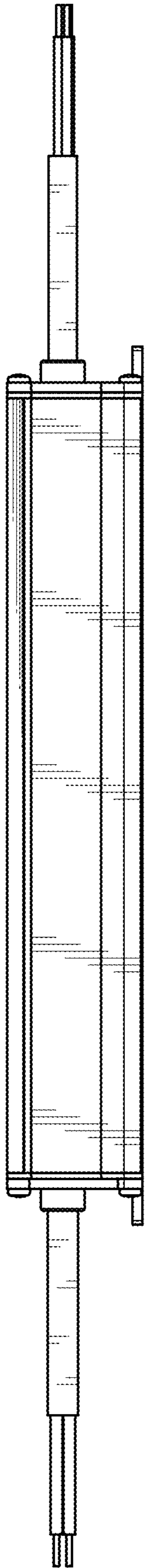


FIG. 5

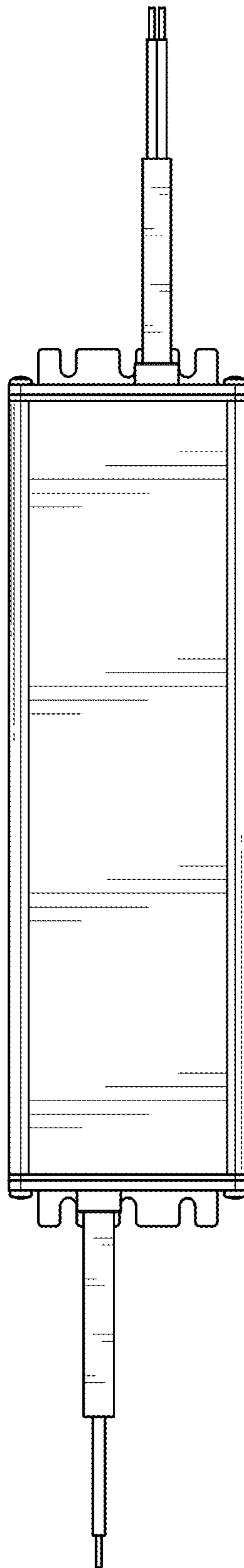


FIG. 6

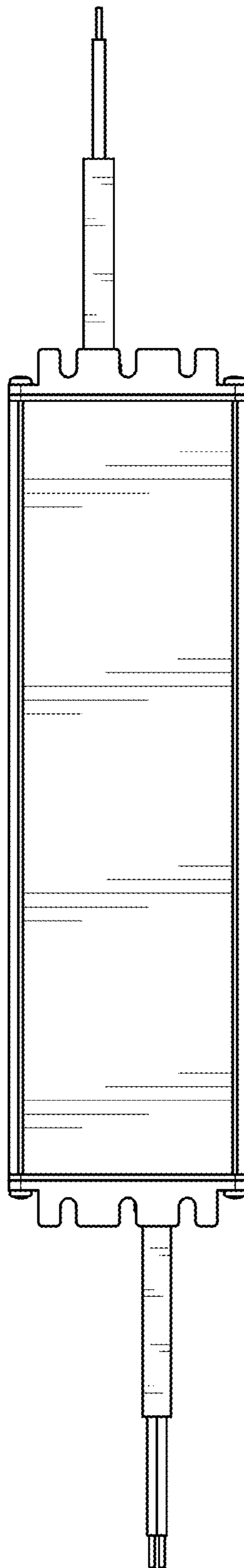


FIG. 7