



US00D875679S

(12) **United States Design Patent**
Yi

(10) **Patent No.:** **US D875,679 S**

(45) **Date of Patent:** **** Feb. 18, 2020**

(54) **HOLDER WITH CHARGERS**

(71) Applicant: **Xiaoling Yi**, Guangdong (CN)

(72) Inventor: **Xiaoling Yi**, Guangdong (CN)

(**) Term: **15 Years**

(21) Appl. No.: **29/709,735**

(22) Filed: **Oct. 17, 2019**

(51) **LOC (12) Cl.** **13-02**

(52) **U.S. Cl.**
USPC **D13/108**

(58) **Field of Classification Search**
USPC D13/107-108, 110, 118, 184; D14/251,
D14/253, 432, 434

CPC .. H02J 50/00; H02J 50/10; H02J 50/12; H02J
50/50; H02J 50/80; H02J 7/025; H02J
5/00; H02J 5/005

See application file for complete search history.

(56) **References Cited**

U.S. PATENT DOCUMENTS

D694,706 S	12/2013	Kuo	
D762,650 S *	8/2016	Dang	D14/434
D813,805 S *	3/2018	Zhong	D13/108
D814,413 S *	4/2018	Zhong	D13/108
D826,851 S *	8/2018	Wang	D13/108
D839,190 S *	1/2019	Xie	D13/108
D850,369 S *	6/2019	Wang	D13/108
D852,134 S *	6/2019	Mei	D13/108
D852,135 S *	6/2019	Mei	D13/108

D855,566 S *	8/2019	Chen	D13/108
D857,626 S *	8/2019	Zhang	D13/108
D858,437 S *	9/2019	Lu	D13/108
D870,041 S *	12/2019	Choi	D13/108
2016/0261139 A1 *	9/2016	Kidakarn	H02J 7/025

* cited by examiner

Primary Examiner — Rosemary K Tarcza

(74) *Attorney, Agent, or Firm* — ZANIP

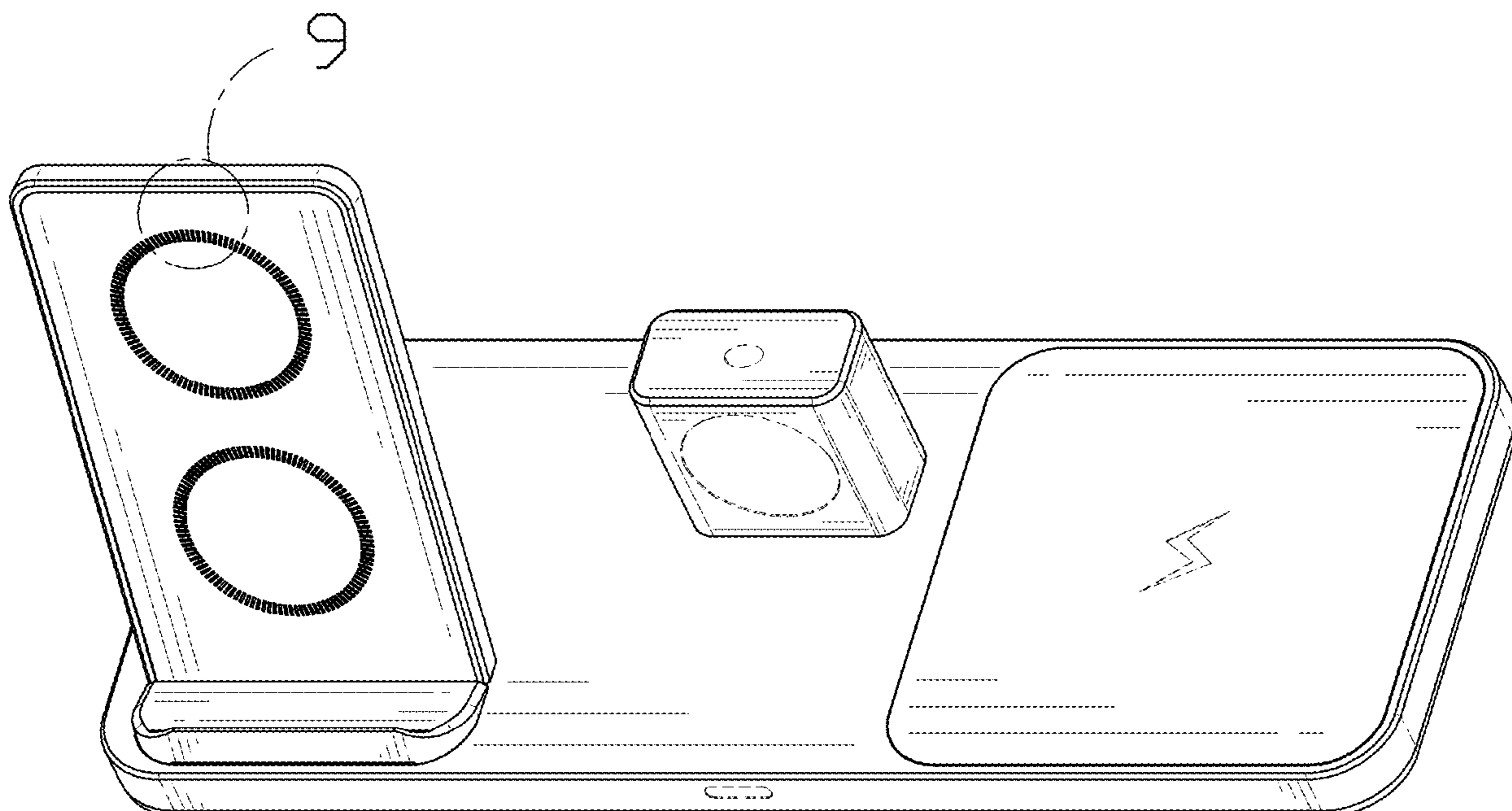
(57) **CLAIM**

The ornamental design for a holder with chargers, as shown and described.

DESCRIPTION

FIG. 1 is a front and top perspective view of a holder with chargers, showing my new design;
 FIG. 2 is a rear and top perspective view thereof;
 FIG. 3 is a front elevational view thereof;
 FIG. 4 is a rear elevational view thereof;
 FIG. 5 is a left side elevational view thereof;
 FIG. 6 is a right side elevational view thereof;
 FIG. 7 is a top plan view thereof;
 FIG. 8 is a bottom plan view thereof; and,
 FIG. 9 is an enlarged view of a portion indicated in FIG. 1.
 The broken lines in the figures illustrate portions of the holder with chargers that form no part of the claimed design.

1 Claim, 9 Drawing Sheets



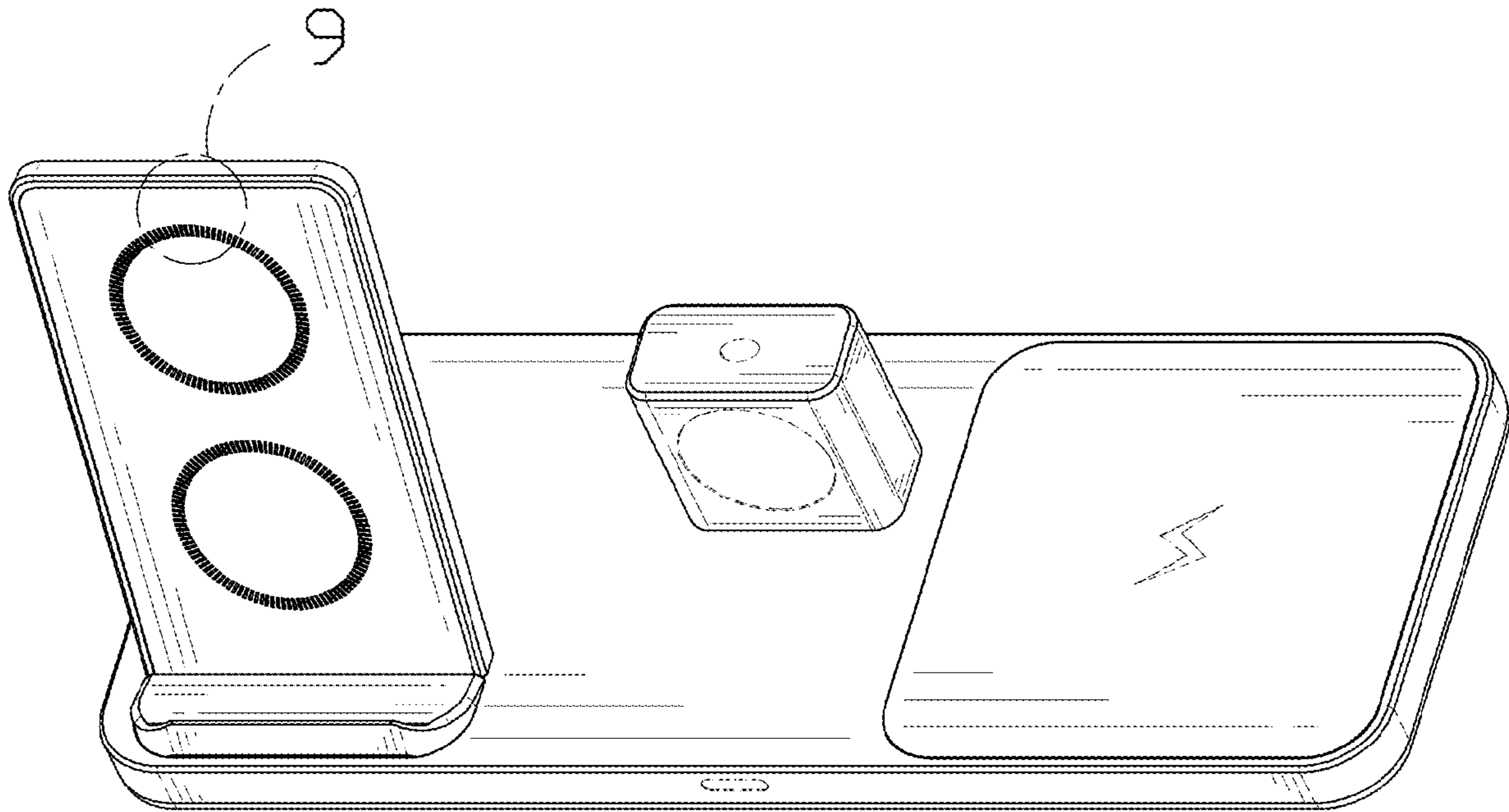


FIG. 1

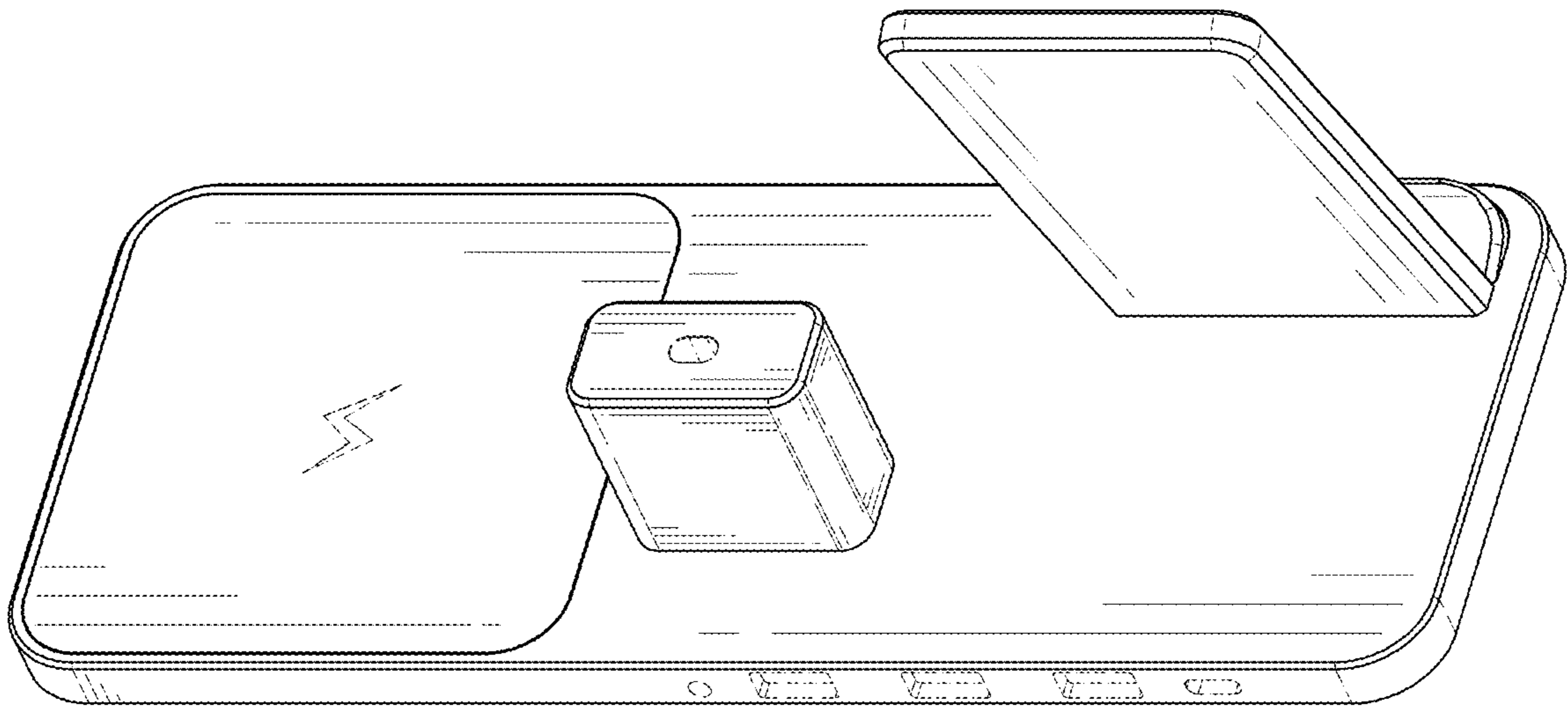


FIG. 2

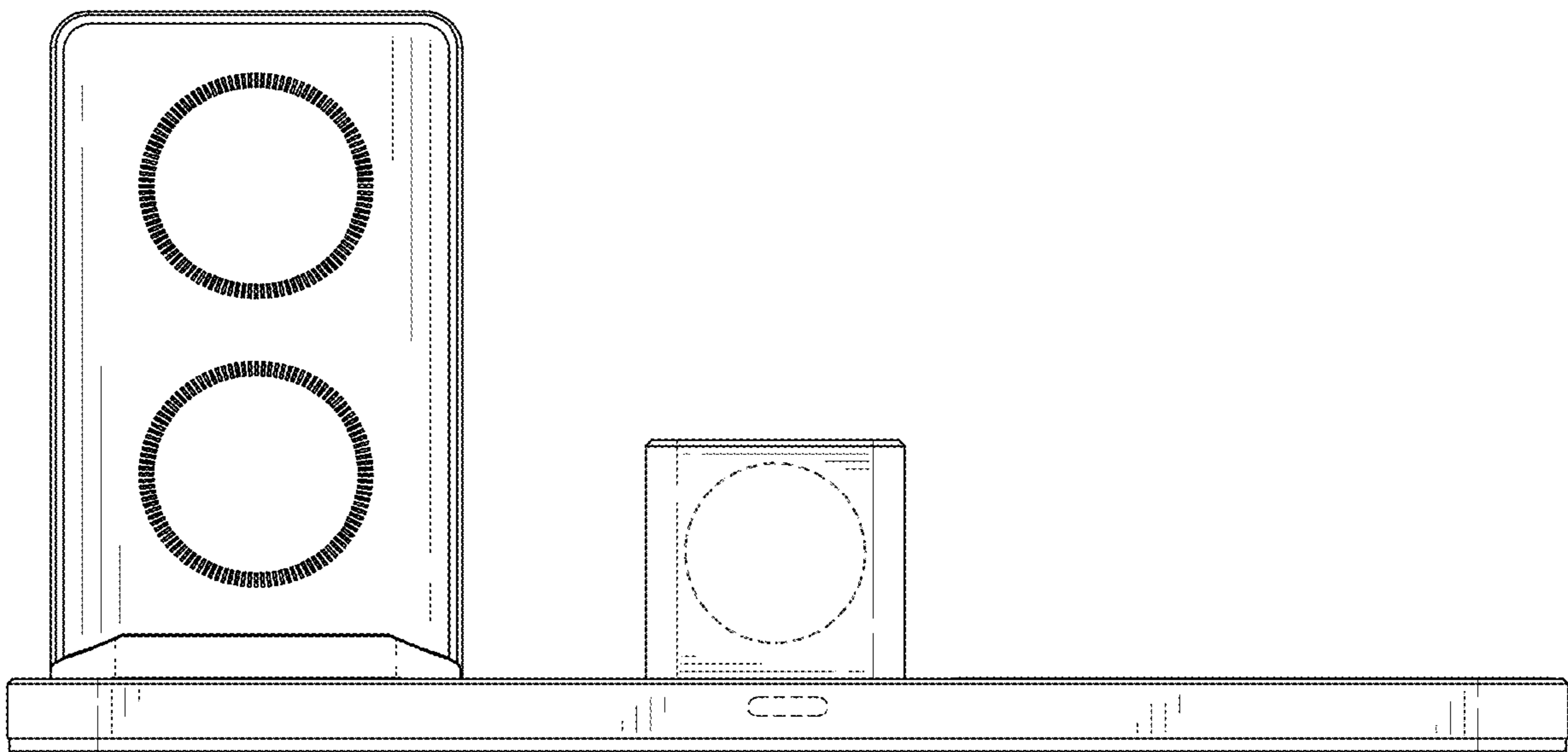


FIG. 3

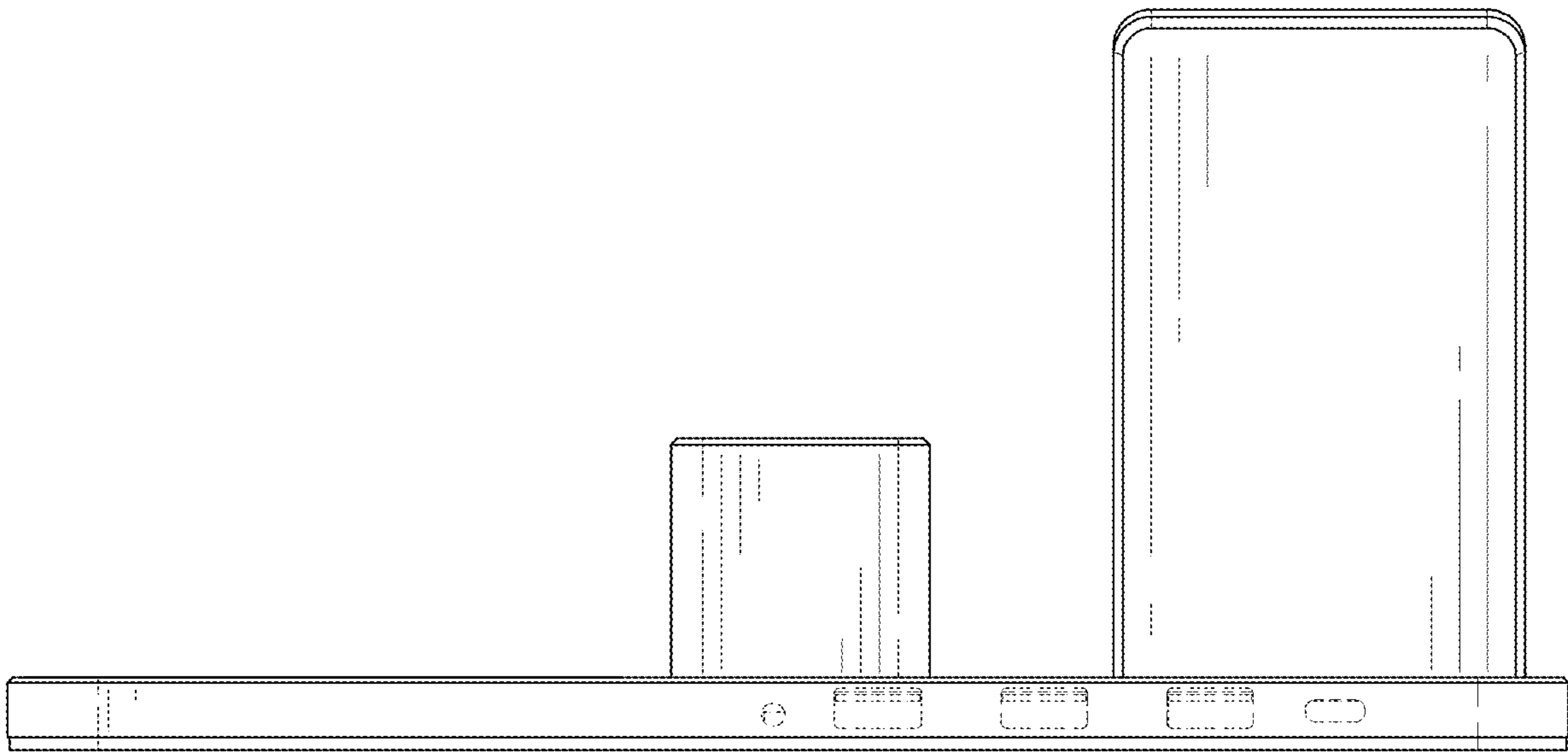


FIG. 4

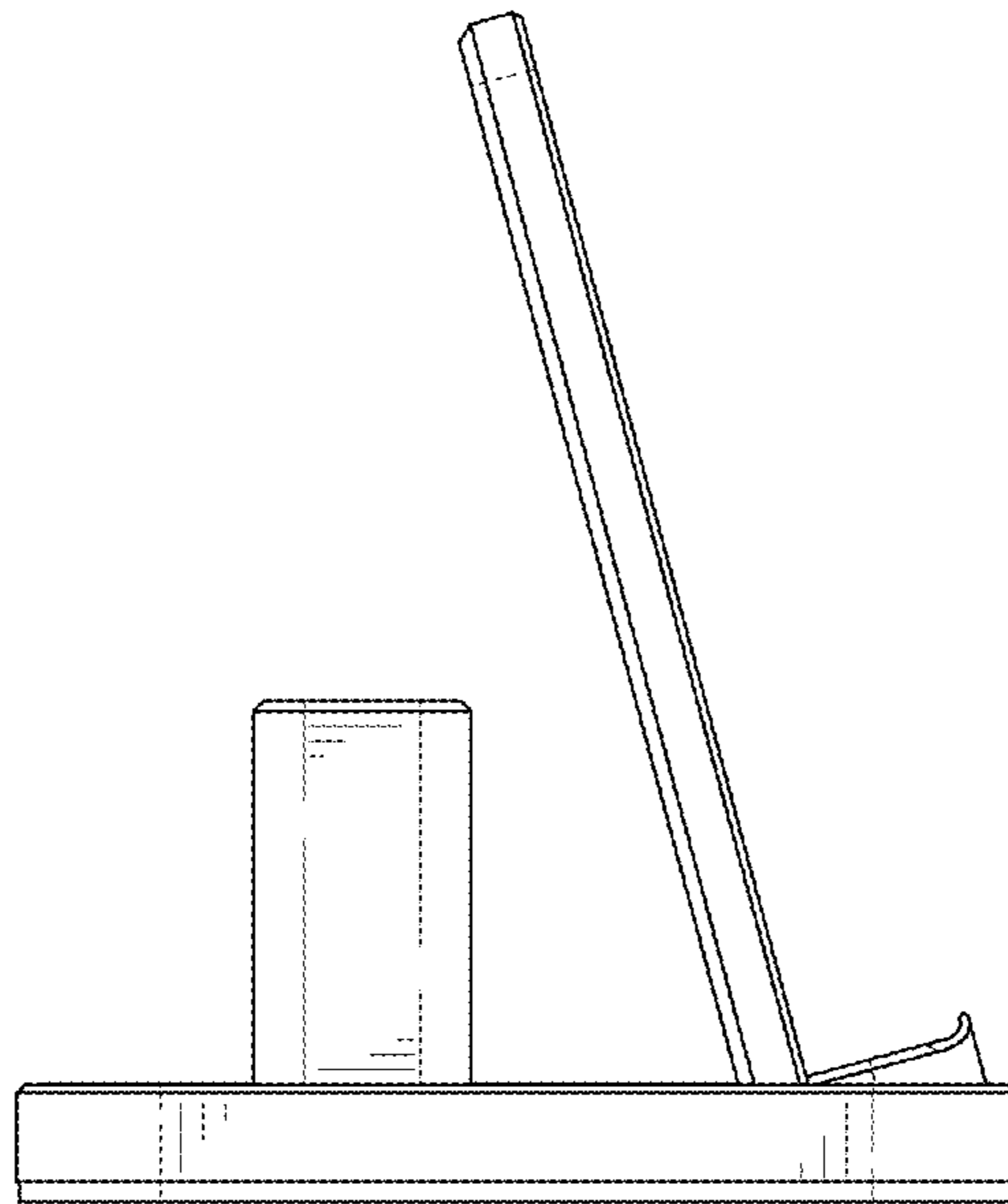


FIG. 5

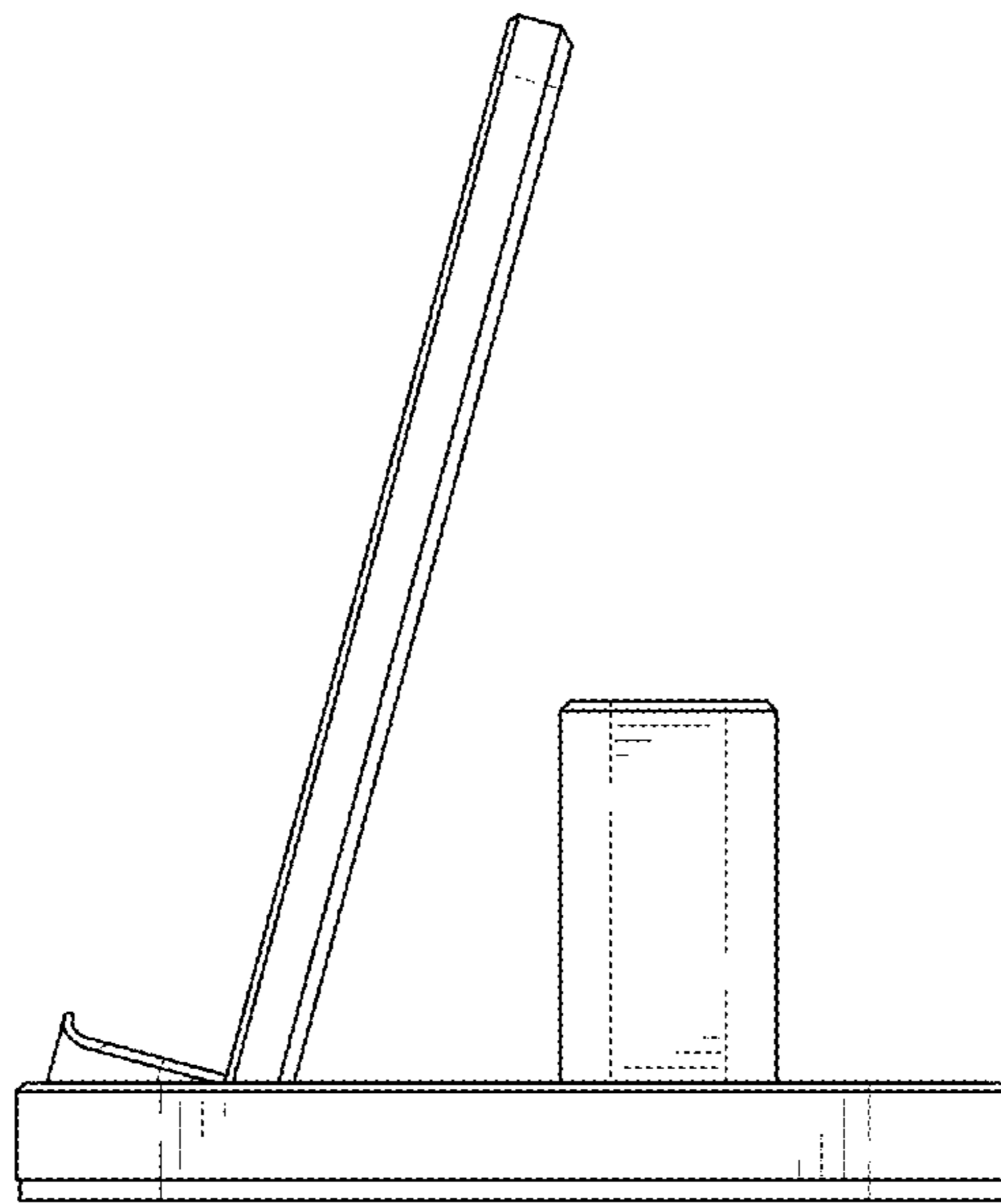


FIG. 6

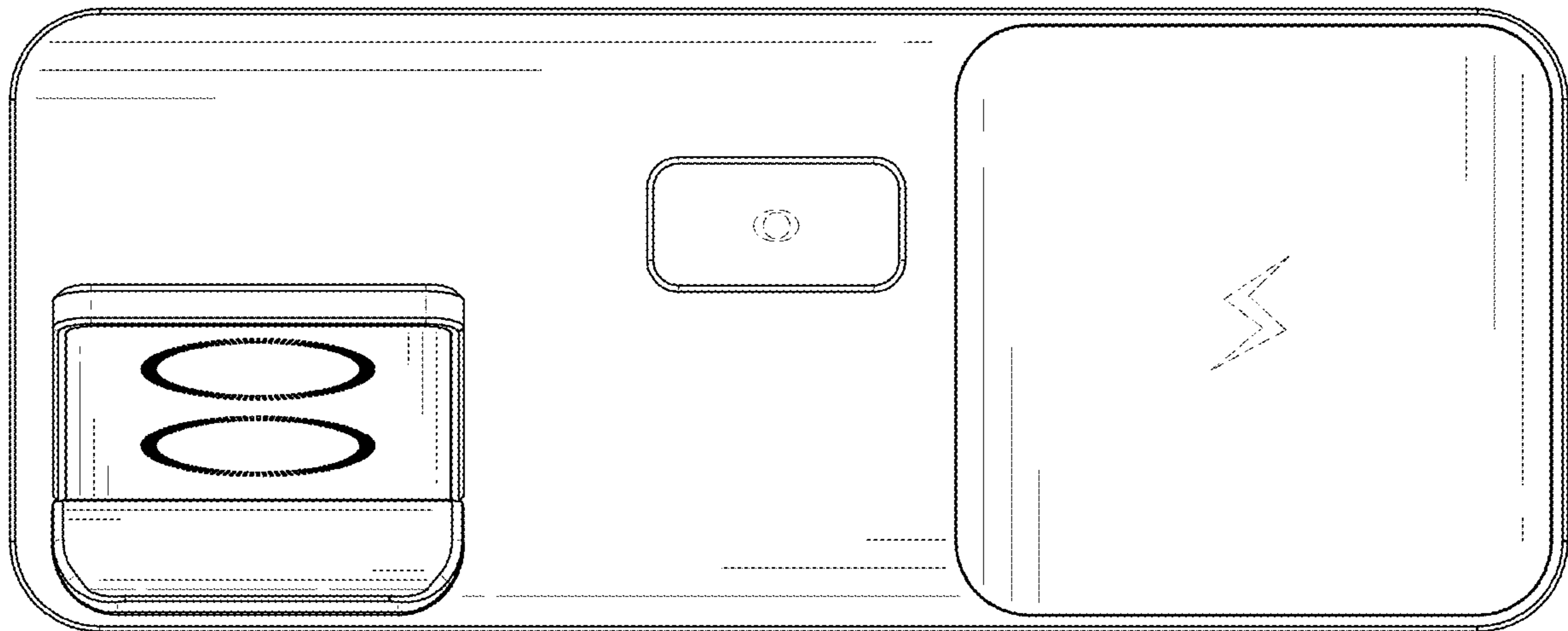


FIG. 7

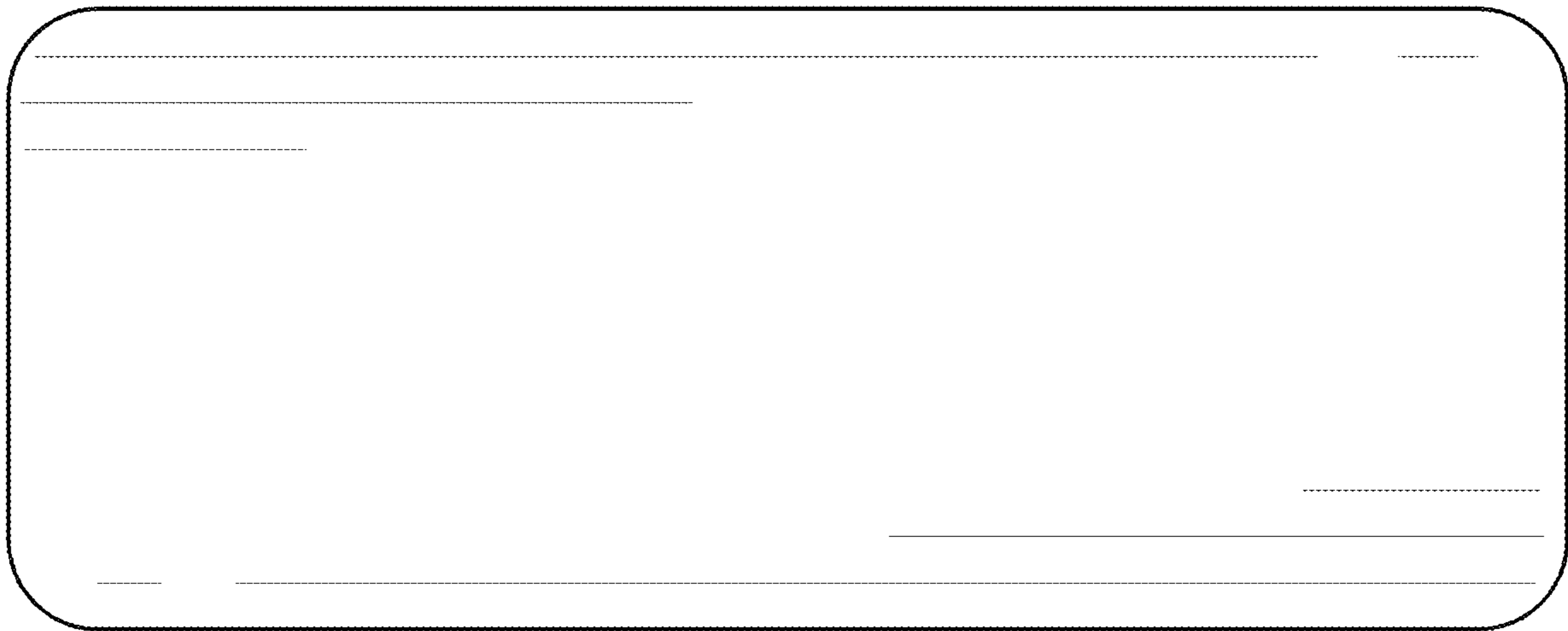


FIG. 8

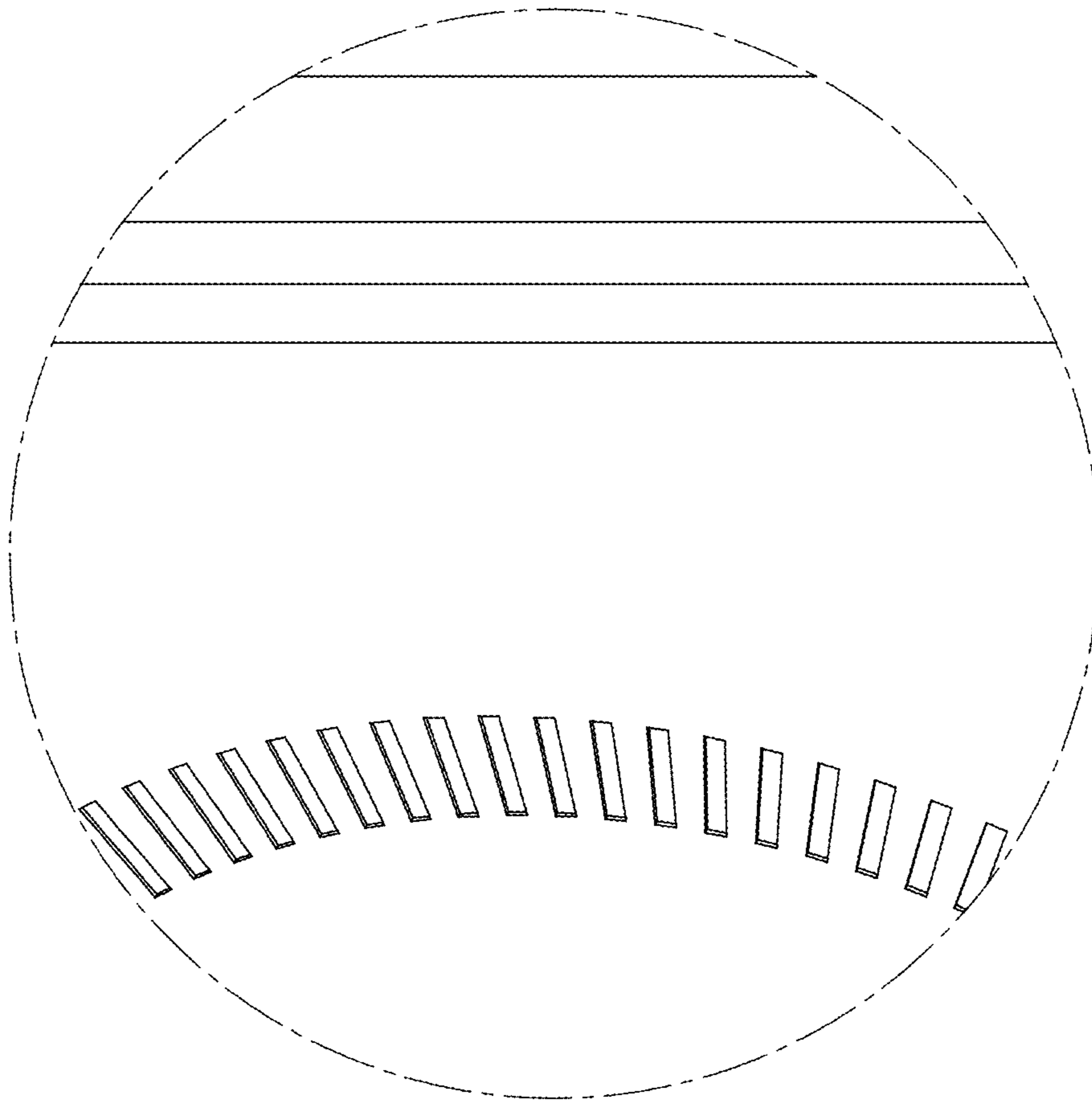


FIG. 9