



US00D875678S

(12) **United States Design Patent**  
**Kim et al.**

(10) **Patent No.:** **US D875,678 S**

(45) **Date of Patent:** **\*\* Feb. 18, 2020**

(54) **WIRELESS CHARGER**

(71) Applicant: **SAMSUNG ELECTRONICS CO., LTD.**, Suwon-si (KR)

(72) Inventors: **Jinwook Kim**, Yongin-si (KR); **Siyeon Lee**, Eumseong-gun (KR)

(73) Assignee: **SAMSUNG ELECTRONICS CO., LTD.**, Gyeonggi-Do (KR)

(\*\*) Term: **15 Years**

(21) Appl. No.: **29/675,148**

(22) Filed: **Dec. 28, 2018**

(30) **Foreign Application Priority Data**

Oct. 23, 2018 (KR) ..... 30-2018-0048695

(51) **LOC (12) Cl.** ..... **13-02**

(52) **U.S. Cl.**  
USPC ..... **D13/108**

(58) **Field of Classification Search**  
USPC ..... D13/103–110, 118, 119, 184, 199;  
D14/251, 253, 432, 434

CPC ..... Y02E 60/10; Y02E 60/12; Y02E 60/122;  
Y02E 60/124; Y02E 60/50; H01M 2/02;  
H01M 2/022; H01M 2/0202; H01M  
2/0207; H01M 2/0212; H01M 2/1061;  
H01M 2/1022; H01M 2/1055; H01M  
2/1066; H01M 2/105; H01M 2/20; H01M  
2/202; H01M 2/204; H01M 2/206; H01M  
10/44; H01M 10/46; H01M 10/465;  
H01M 10/482; H01M 2200/30; H01M  
2250/30; H01M 2250/40; H02J 7/00;  
H02J 7/0003; H02J 7/0011; H02J 7/0013;  
H02J 7/0054; H02J 7/0055; H02J 7/0057;  
H02J 2007/0062

See application file for complete search history.

(56) **References Cited**

U.S. PATENT DOCUMENTS

D482,653 S \* 11/2003 Cho ..... D13/110  
D611,408 S \* 3/2010 Ferber ..... D13/108

D627,718 S \* 11/2010 Houghton ..... D13/108  
D661,668 S \* 6/2012 Rose ..... D13/184  
D682,199 S \* 5/2013 Rautiainen ..... D13/108  
D682,200 S \* 5/2013 Rautiainen ..... D13/108  
D700,571 S \* 3/2014 Guccione ..... D13/108  
D718,236 S \* 11/2014 Murray ..... D13/108  
D720,288 S \* 12/2014 Ko ..... D13/108  
D735,131 S \* 7/2015 Akana ..... D13/108  
D735,132 S \* 7/2015 Donohue, II ..... D13/108  
D735,133 S \* 7/2015 Reishus ..... D13/108

(Continued)

**OTHER PUBLICATIONS**

Amazon.com: Yootech Wireless Charger. Date of review of Apr. 2, 2018. Retrieved from the internet at <<https://www.amazon.com/Wireless-Qi-Certified-Charging-Compatible-Qi-Enabled/dp/B07GZNVLN8/>>, Nov. 15, 2019. 1 page. (Year: 2018).\*

*Primary Examiner* — Rosemary K Tarcza

*Assistant Examiner* — Christy Nemeth

(74) *Attorney, Agent, or Firm* — Cantor Colburn LLC

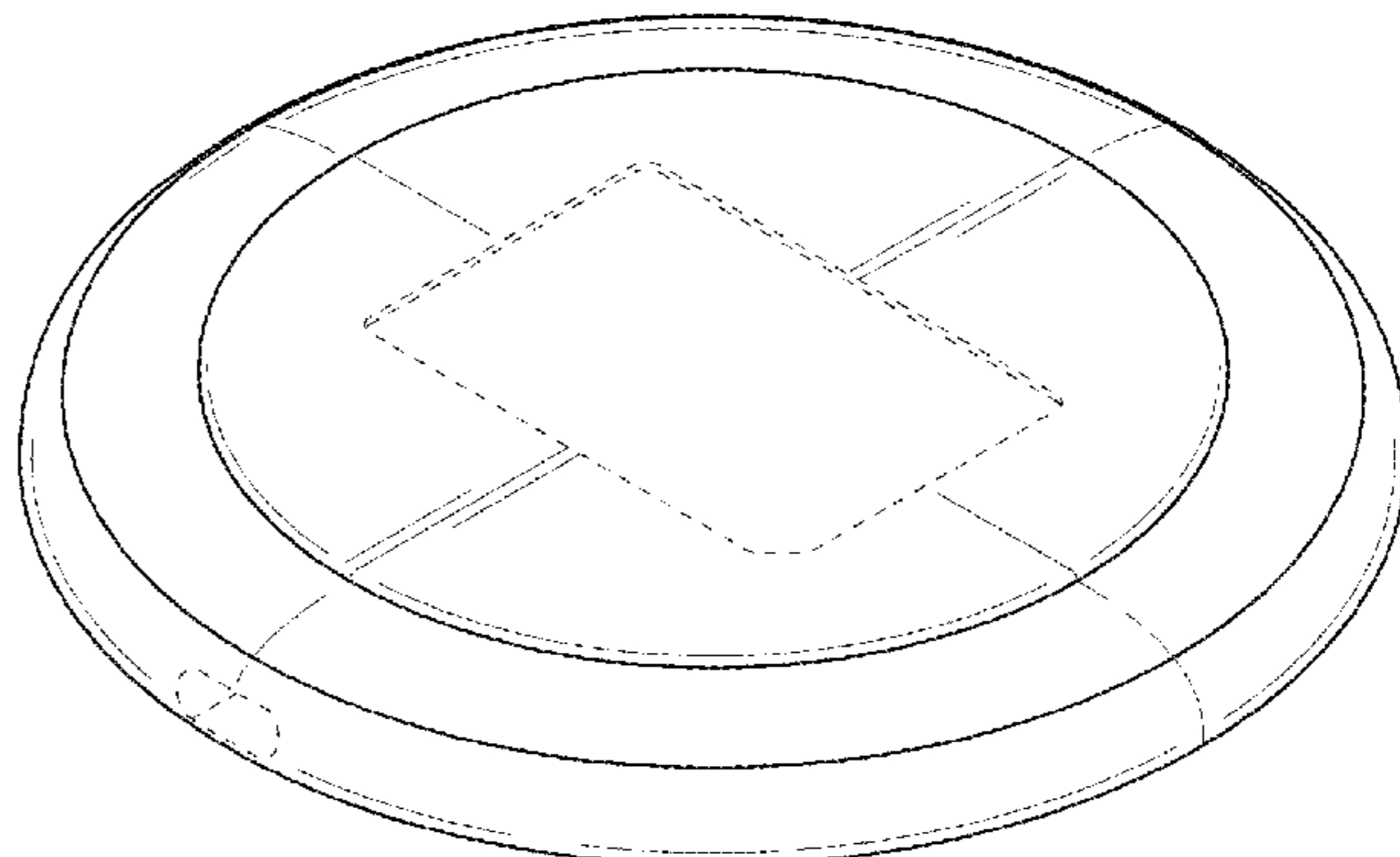
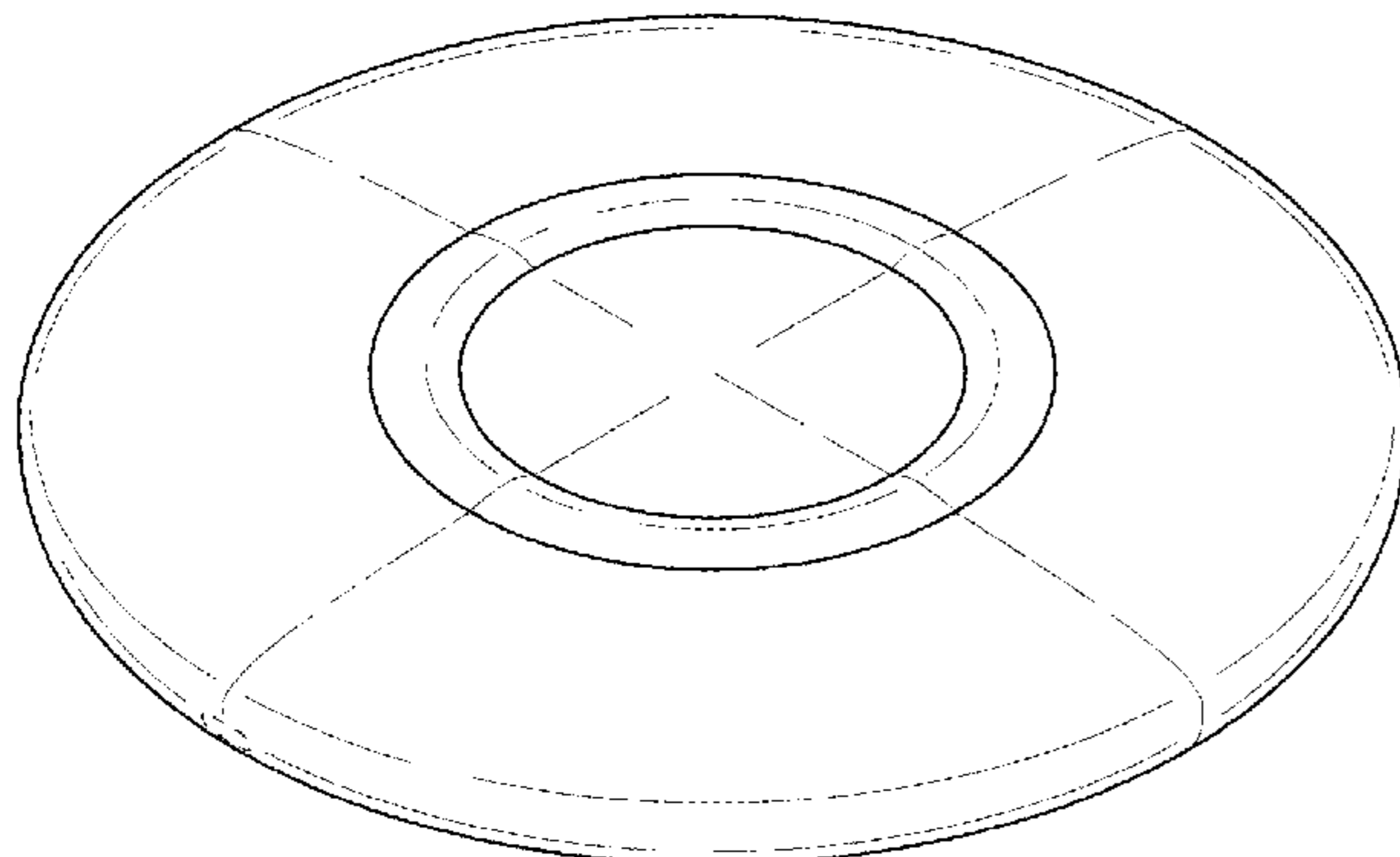
(57) **CLAIM**

The ornamental design for a wireless charger, as shown and described.

**DESCRIPTION**

FIG. 1 is a top perspective view of a wireless charger, showing our new design;  
FIG. 2 is a front view thereof;  
FIG. 3 is a rear view thereof;  
FIG. 4 is a left-side view thereof;  
FIG. 5 is a right-side view thereof;  
FIG. 6 is a top view thereof;  
FIG. 7 is a bottom view thereof; and,  
FIG. 8 is a bottom perspective view thereof.  
The broken lines illustrating portions of the wireless charger form no part of the claimed design.

**1 Claim, 5 Drawing Sheets**



(56)

References Cited

U.S. PATENT DOCUMENTS

D736,706 S \* 8/2015 Huang ..... D13/108  
 D740,750 S \* 10/2015 Mayden ..... D13/108  
 D741,256 S \* 10/2015 Murphy-Reinhertz ..... D13/108  
 D749,504 S \* 2/2016 Jeong ..... D13/108  
 D758,305 S \* 6/2016 Dorn ..... D13/107  
 D772,813 S \* 11/2016 Wahl ..... D13/108  
 D774,455 S \* 12/2016 Kim ..... D13/108  
 D777,103 S \* 1/2017 Park ..... D13/108  
 D782,415 S \* 3/2017 Zhang ..... D13/108  
 D782,973 S \* 4/2017 Zhou ..... D13/108  
 9,654,879 B2 \* 5/2017 Jensen ..... H04R 7/18  
 D791,698 S \* 7/2017 Kim ..... D13/108  
 D794,557 S \* 8/2017 Kim ..... D13/108  
 D795,182 S \* 8/2017 Akana ..... D13/108  
 D797,042 S \* 9/2017 Miller ..... D13/107  
 D797,667 S \* 9/2017 Park ..... D13/108  
 D797,668 S \* 9/2017 Park ..... D13/108  
 D801,308 S \* 10/2017 Ahn ..... D14/216  
 D801,309 S \* 10/2017 Ahn ..... D14/216  
 D806,020 S \* 12/2017 Lu ..... D13/107  
 D808,901 S \* 1/2018 Kelly ..... D13/107  
 D810,680 S \* 2/2018 Carreon ..... D13/108  
 D812,559 S \* 3/2018 Xu ..... D13/107  
 D817,268 S \* 5/2018 Symons ..... D13/108

D821,307 S \* 6/2018 Calachan ..... D13/107  
 D821,309 S \* 6/2018 Barnard ..... D13/108  
 D821,973 S \* 7/2018 Maeda ..... D13/108  
 D826,151 S \* 8/2018 Akana ..... D13/108  
 D830,968 S \* 10/2018 Wang ..... D13/107  
 D836,541 S \* 12/2018 Lomeli ..... D13/107  
 D839,188 S \* 1/2019 Akana ..... D13/108  
 D839,191 S \* 1/2019 Akana ..... D13/108  
 D841,578 S \* 2/2019 Kim ..... D13/108  
 D845,897 S \* 4/2019 Kim ..... D13/108  
 D847,741 S \* 5/2019 Hu ..... D13/108  
 D850,371 S \* 6/2019 Yun ..... D13/108  
 D850,372 S \* 6/2019 Kong ..... D13/108  
 D851,035 S \* 6/2019 Hong ..... D13/108  
 D851,036 S \* 6/2019 Saangloef ..... D13/108  
 D853,326 S \* 7/2019 Jun ..... D13/108  
 D855,567 S \* 8/2019 Cai ..... D13/108  
 D860,936 S \* 9/2019 Jia ..... D13/108  
 D860,937 S \* 9/2019 Slaatto ..... D13/108  
 D860,938 S \* 9/2019 Lin ..... D13/108  
 D860,943 S \* 9/2019 Xie ..... D13/119  
 D861,599 S \* 10/2019 Choi ..... D13/108  
 D861,600 S \* 10/2019 Choi ..... D13/108  
 D861,602 S \* 10/2019 Feng ..... D13/108  
 2017/0104352 A1 \* 4/2017 Stratton ..... H02J 7/0044  
 2017/0117512 A1 \* 4/2017 Freitag ..... H01M 2/0285  
 2018/0138463 A1 \* 5/2018 Bruch ..... H01M 2/021

\* cited by examiner

FIG.1

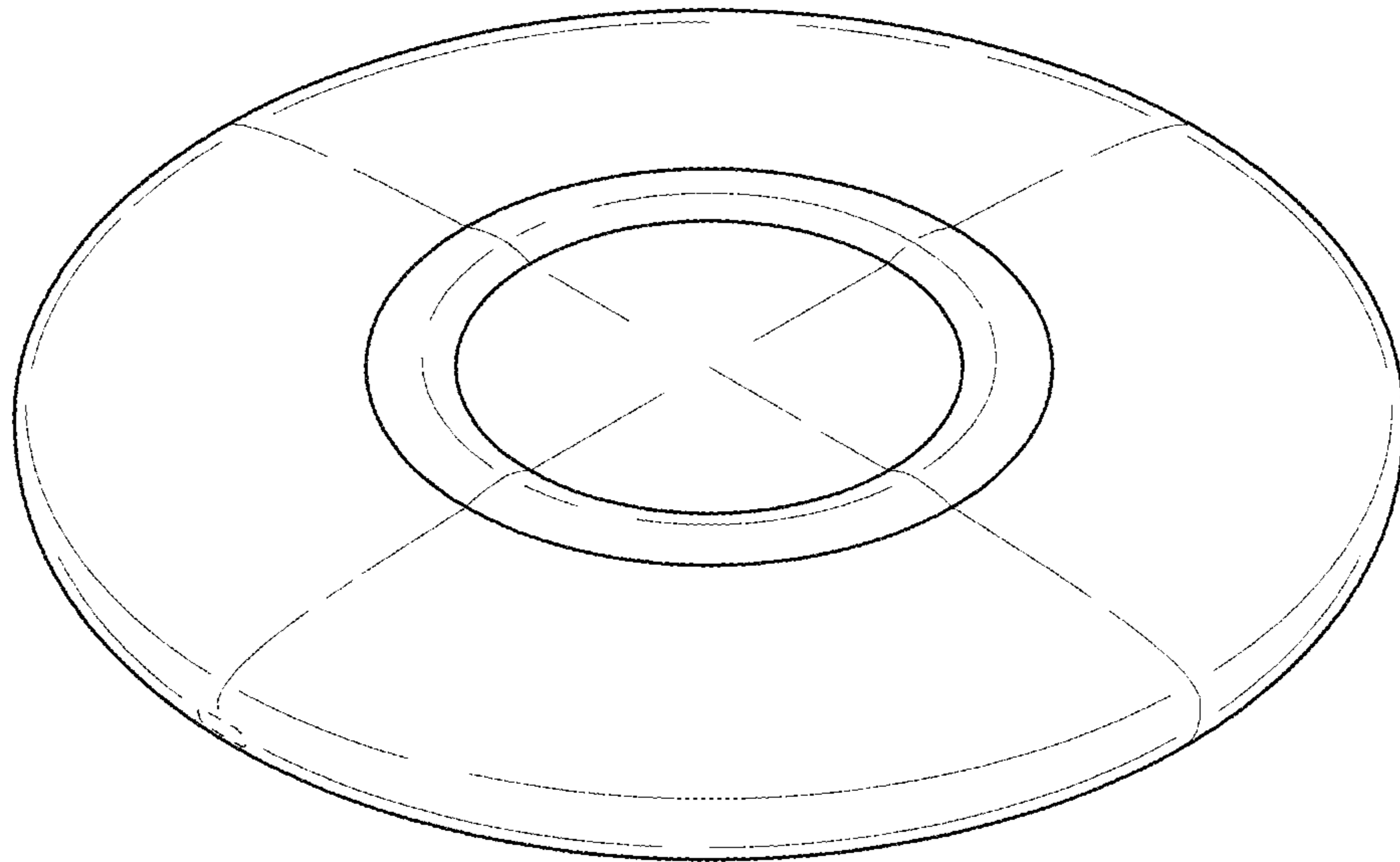


FIG.2



FIG.3

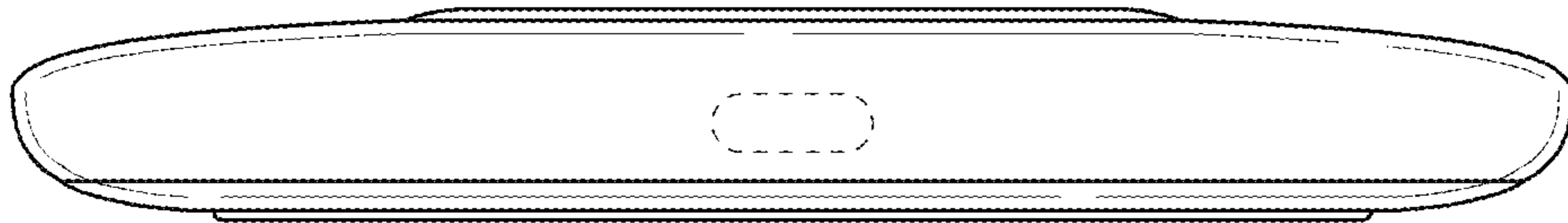


FIG.4

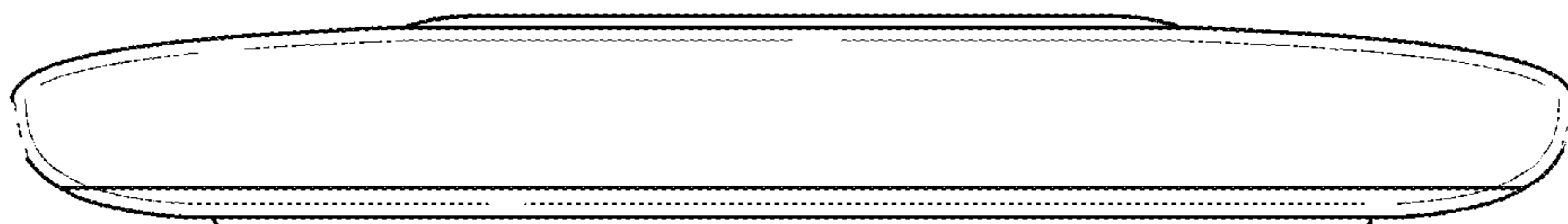


FIG.5

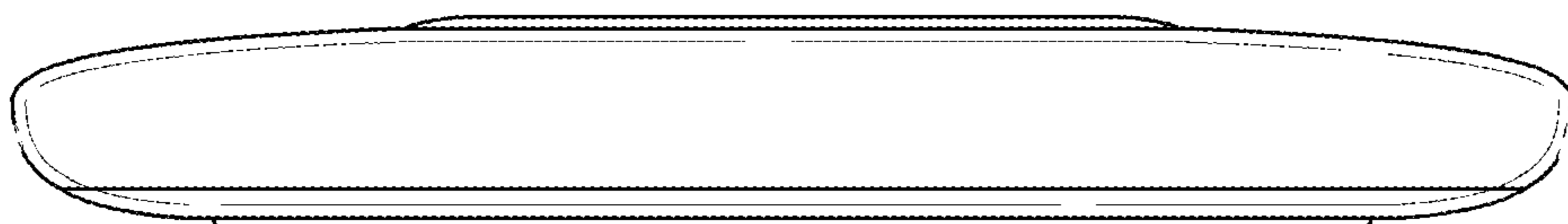


FIG.6

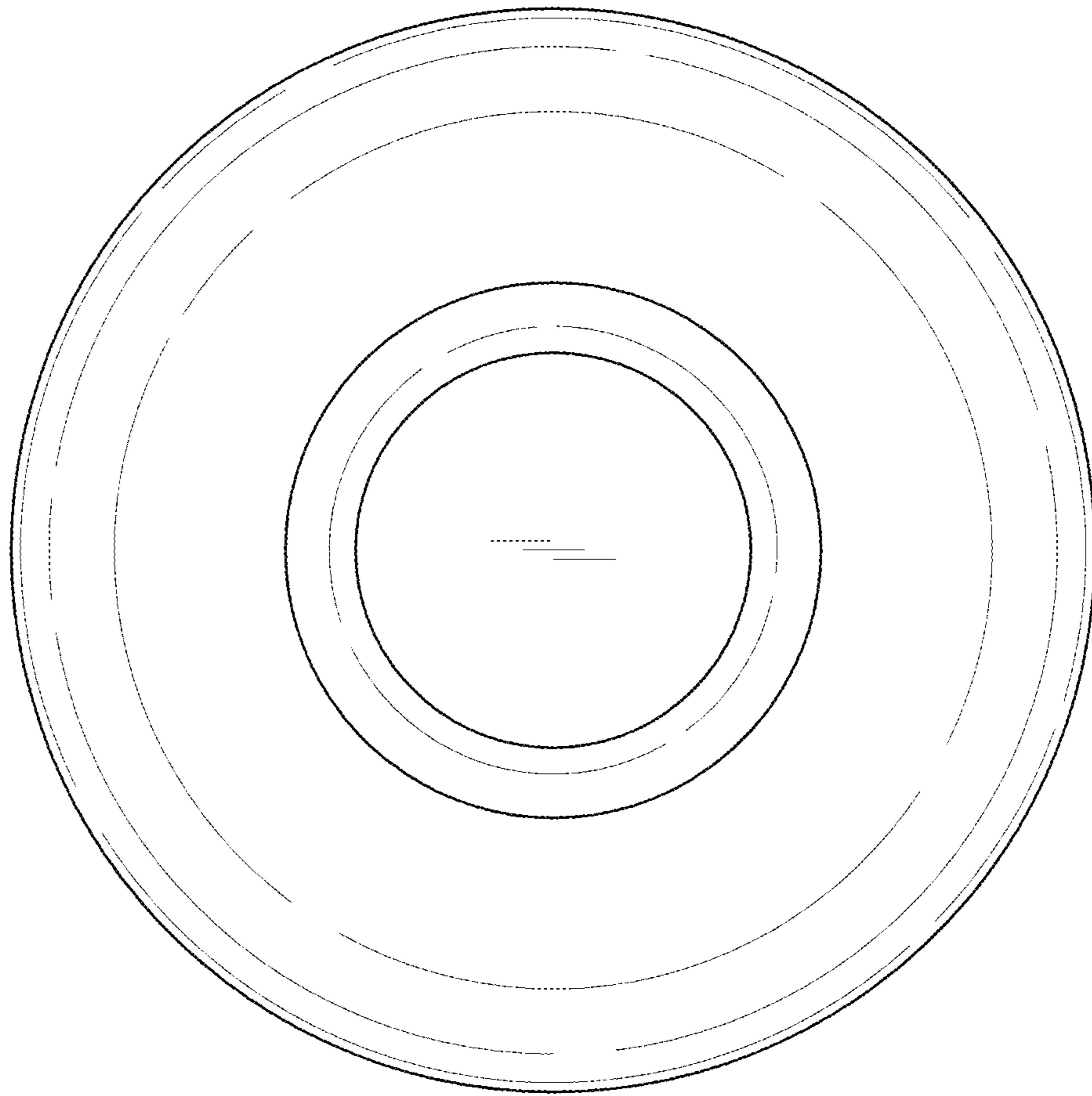


FIG.7

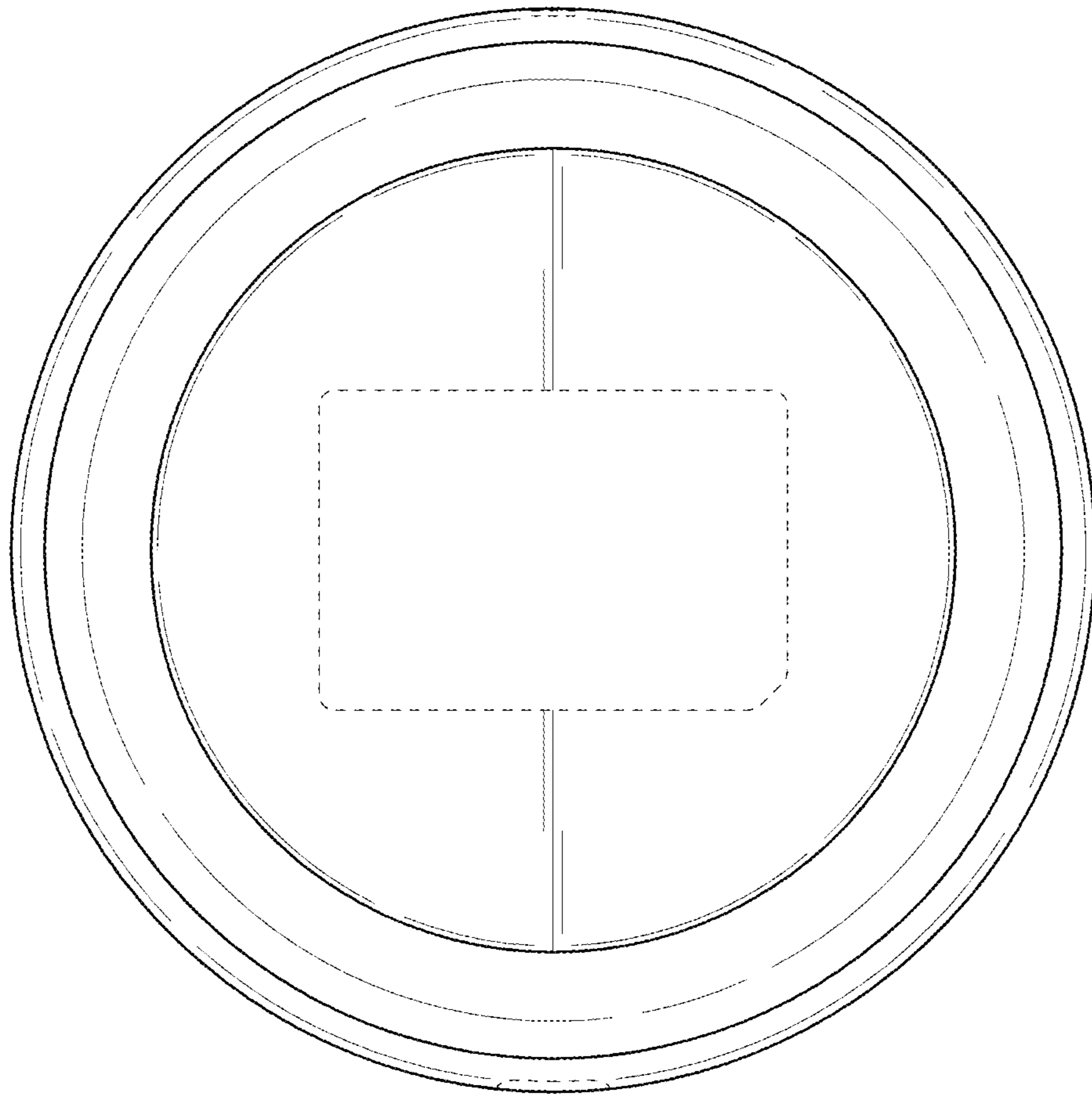


FIG.8

