



US00D875677S

(12) **United States Design Patent**
Shi

(10) **Patent No.:** **US D875,677 S**

(45) **Date of Patent:** **** Feb. 18, 2020**

(54) **FOLDABLE WIRELESS POWER BANK**

(71) Applicant: **Lichao Shi**, Shenzhen (CN)

(72) Inventor: **Lichao Shi**, Shenzhen (CN)

(**) Term: **15 Years**

(21) Appl. No.: **29/674,682**

(22) Filed: **Dec. 23, 2018**

(51) **LOC (12) Cl.** **13-02**

(52) **U.S. Cl.**
USPC **D13/108; D13/103**

(58) **Field of Classification Search**
USPC D13/103–110, 118, 119, 184, 199;
D14/251, 253, 432, 434
CPC Y02E 60/10; Y02E 60/12; Y02E 60/122;
Y02E 60/124; Y02E 60/50; H01M 2/02;
H01M 2/022; H01M 2/0202; H01M
2/0207; H01M 2/0212; H01M 2/1061;
H01M 2/1022; H01M 2/1055; H01M
2/1066; H01M 2/105; H01M 2/20; H01M
2/202; H01M 2/204; H01M 2/206; H01M
10/44; H01M 10/46; H01M 10/465;
H01M 10/482; H01M 2200/30; H01M
2250/30; H01M 2250/40; H02J 7/00;
H02J 7/0003; H02J 7/0011; H02J 7/0013;
H02J 7/0054; H02J 7/0055; H02J 7/0057;
H02J 2007/0062

See application file for complete search history.

(56) **References Cited**

U.S. PATENT DOCUMENTS

D763,188 S * 8/2016 Park D13/108
D772,807 S * 11/2016 Chen D13/103

D772,812 S * 11/2016 Choe D13/108
D782,410 S * 3/2017 Li D13/103
D803,775 S * 11/2017 Park D13/103
D803,779 S * 11/2017 Jung D13/107
D815,036 S * 4/2018 Martorell D13/108
D832,783 S * 11/2018 Leabman D13/108
D845,896 S * 4/2019 Hu D13/108
D862,384 S * 10/2019 Jen D13/108

* cited by examiner

Primary Examiner — Rosemary K Tarcza

Assistant Examiner — Christy M Nemeth

(57) **CLAIM**

The ornamental design for a foldable wireless power bank, as shown and described.

DESCRIPTION

FIG. 1 is a front perspective view of a foldable wireless power bank of my new design, shown in a closed configuration;

FIG. 2 is a rear perspective view thereof;

FIG. 3 is a front elevational view thereof;

FIG. 4 is a rear elevational view thereof;

FIG. 5 is a left side elevational view thereof;

FIG. 6 is a right side elevational view thereof;

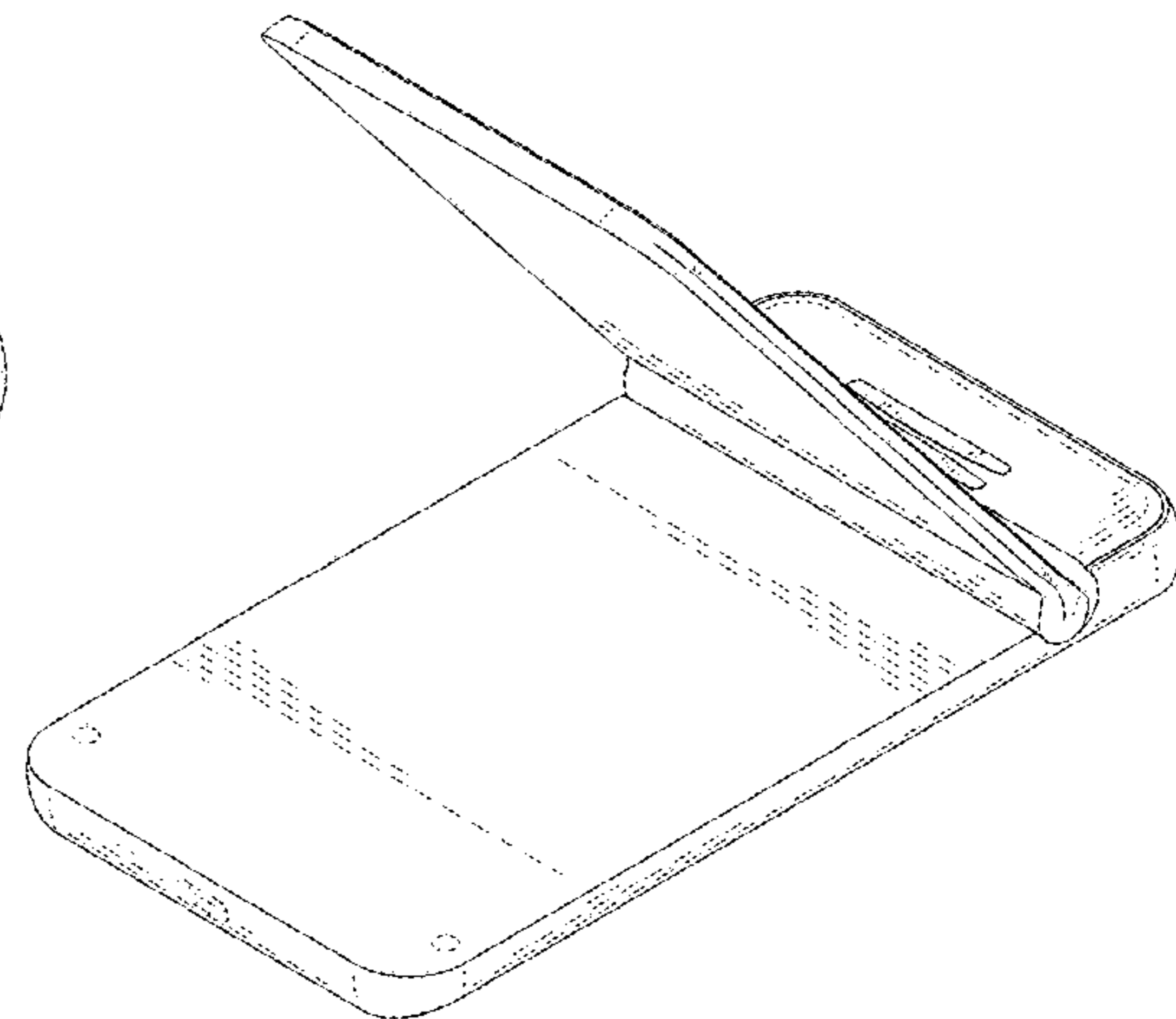
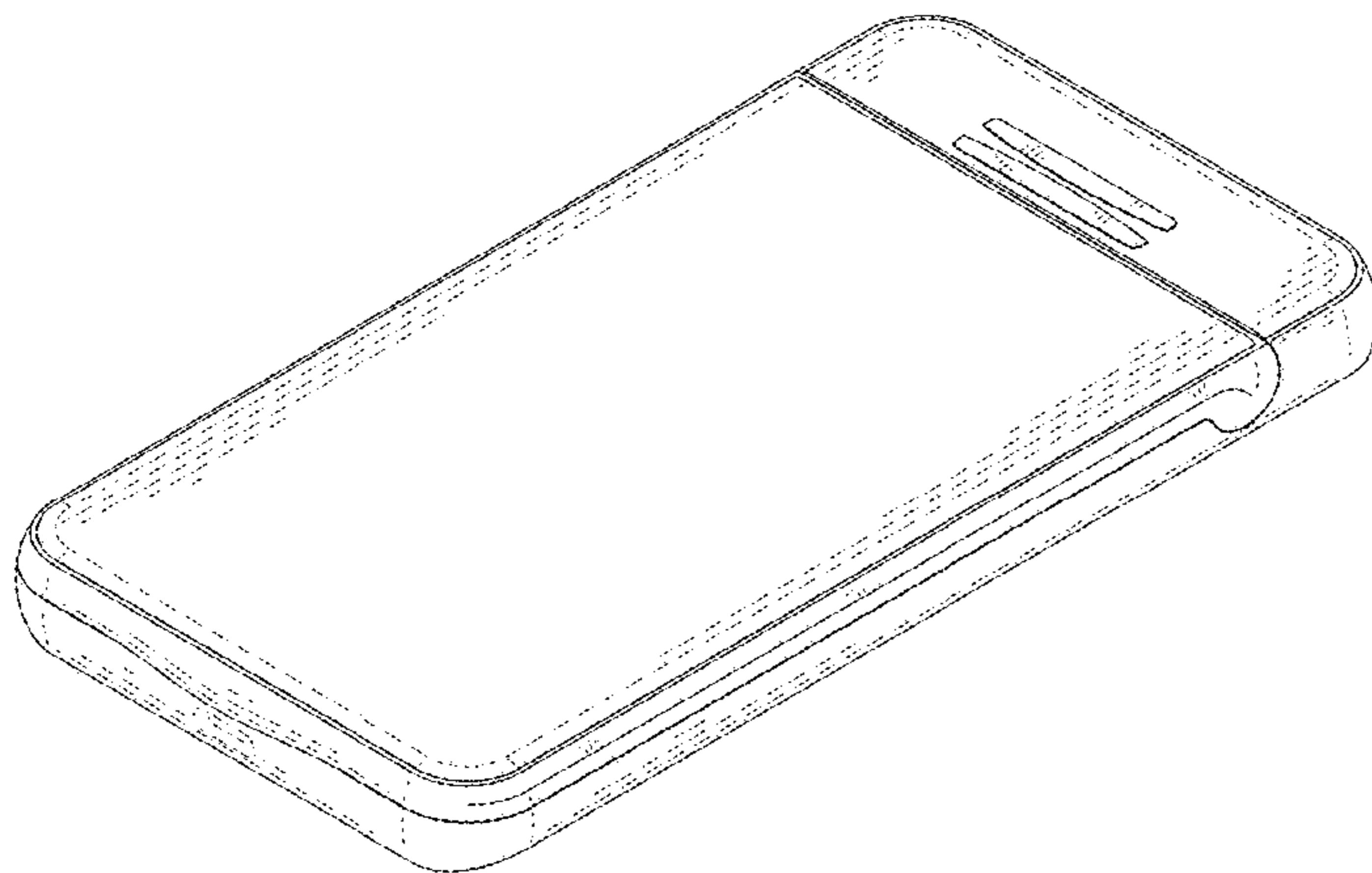
FIG. 7 is a top plan view thereof;

FIG. 8 is a bottom plan view thereof; and,

FIG. 9 is a front perspective view of the foldable wireless power bank, shown in an open configuration.

The broken lines in the drawings depict portions of the foldable wireless power bank that form no part of the claimed design.

1 Claim, 9 Drawing Sheets



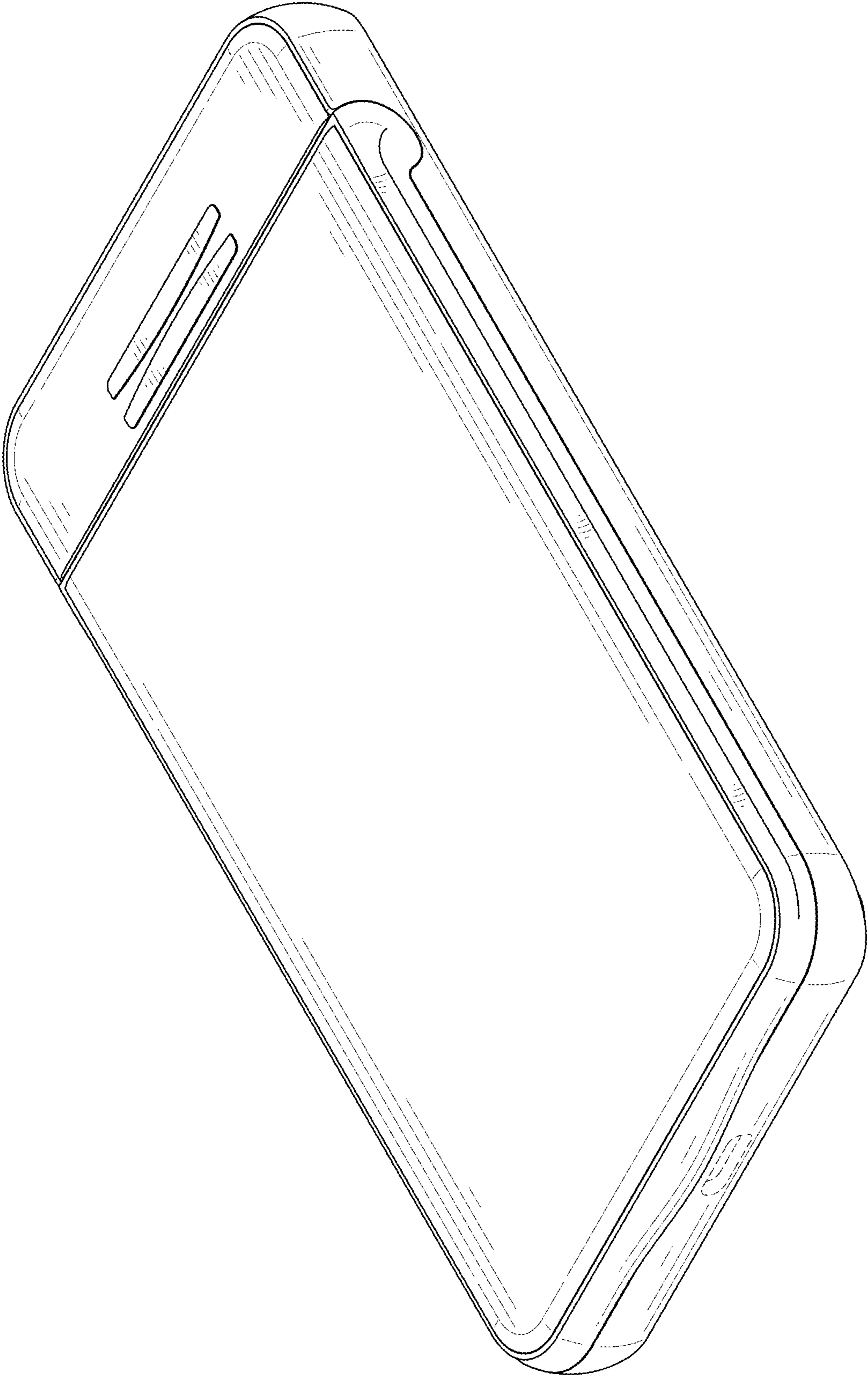


FIG. 1

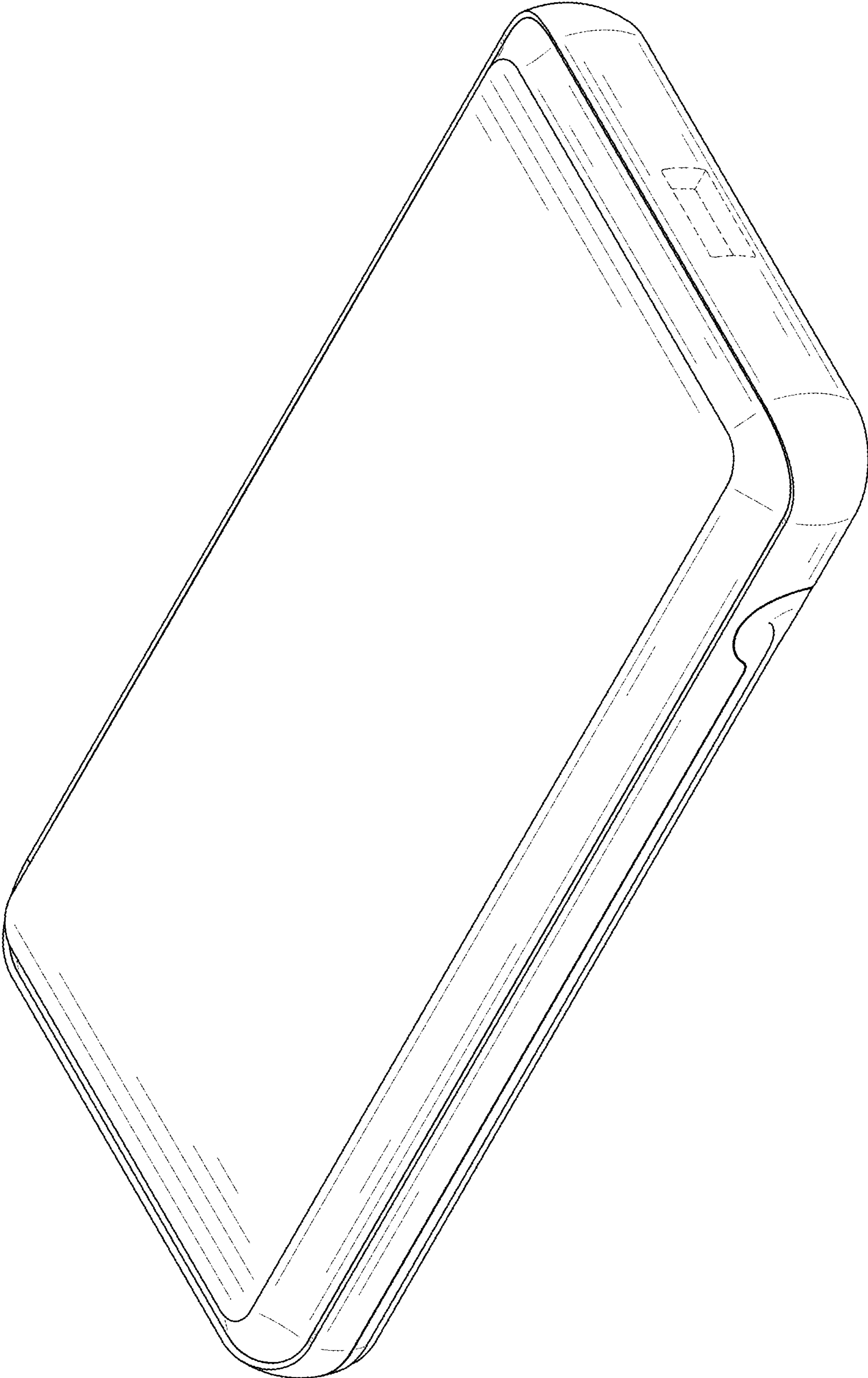


FIG. 2

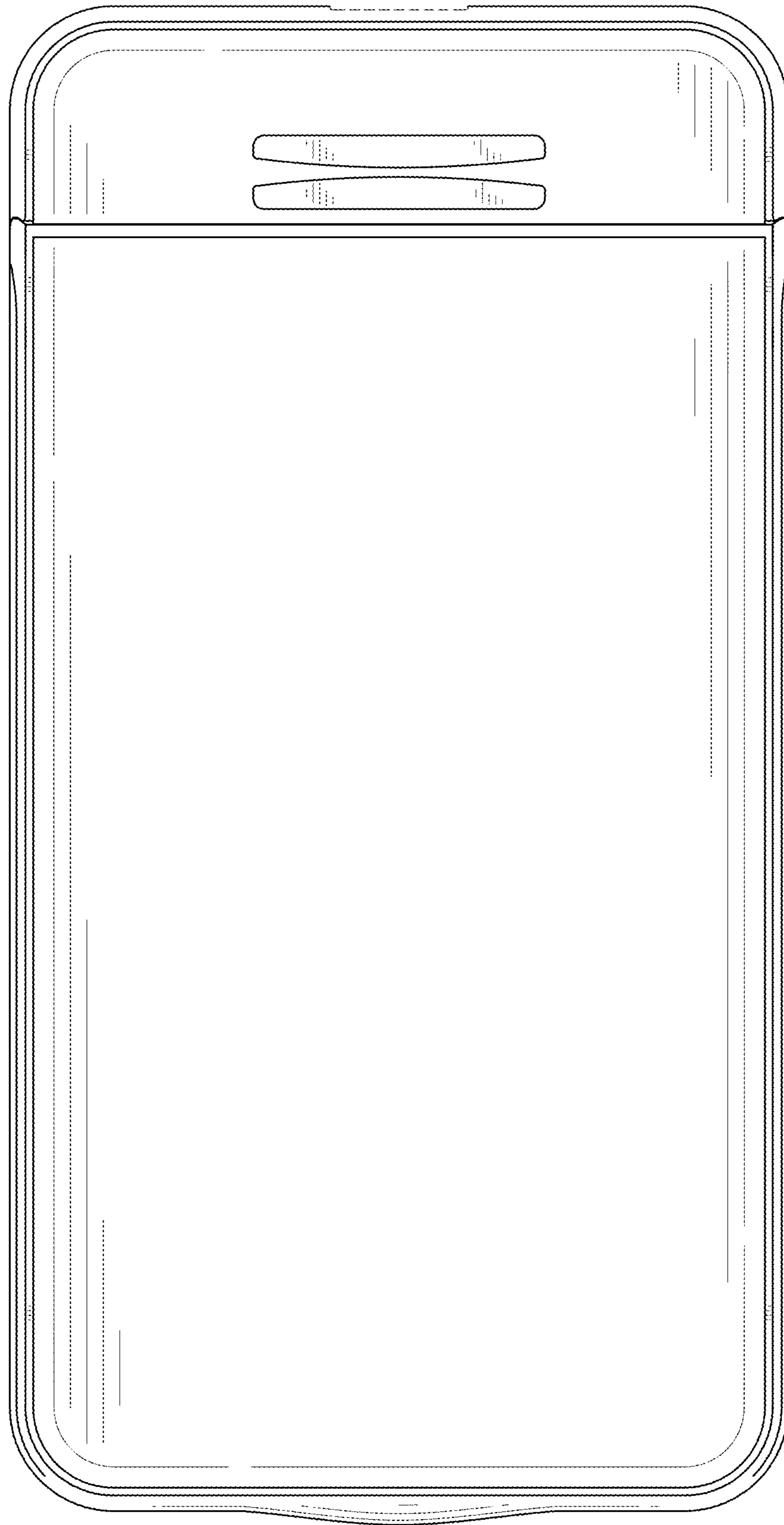


FIG. 3

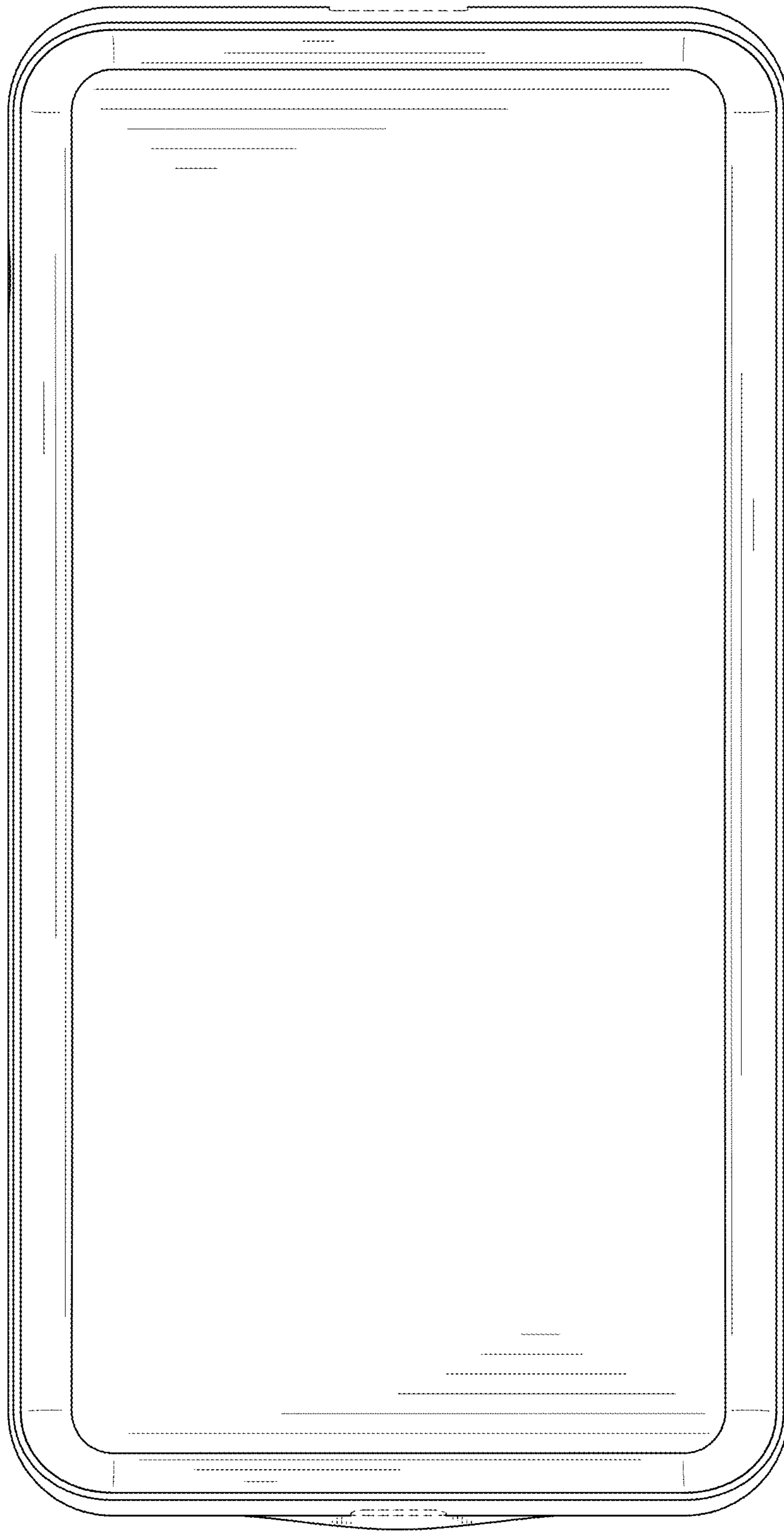


FIG. 4

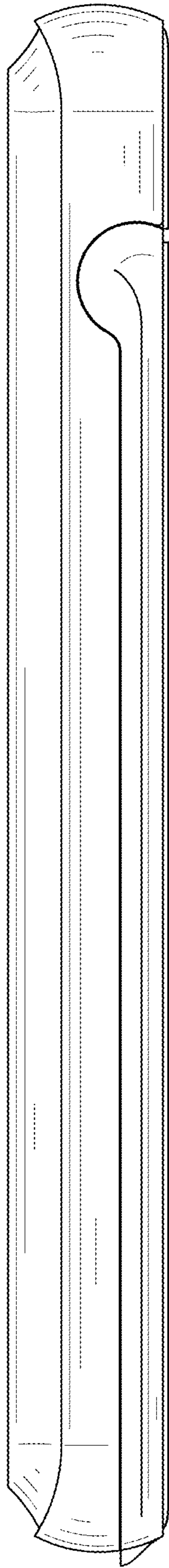


FIG. 5

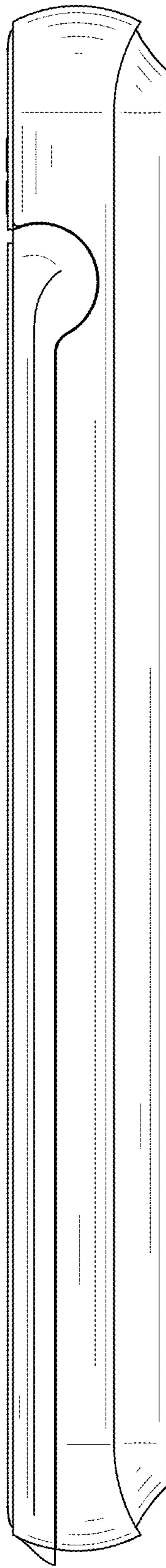


FIG. 6

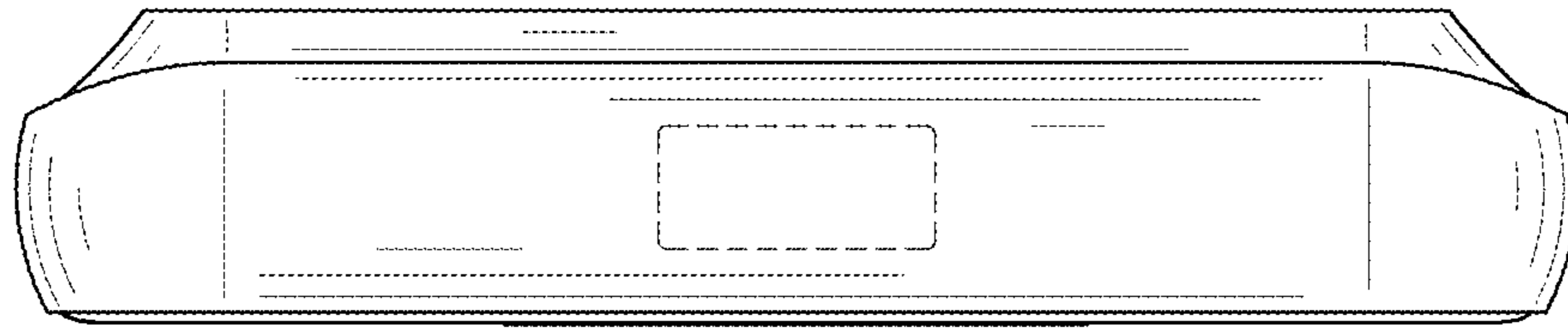


FIG. 7

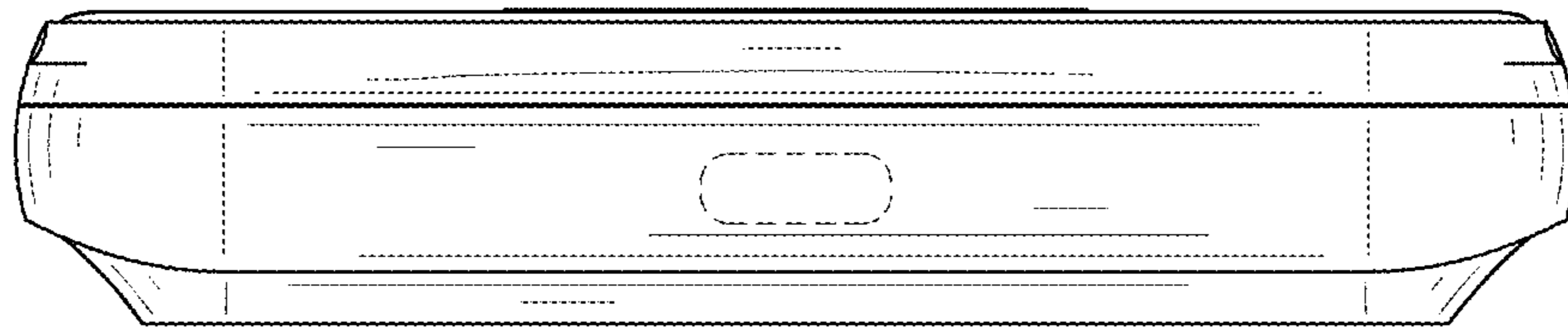


FIG. 8

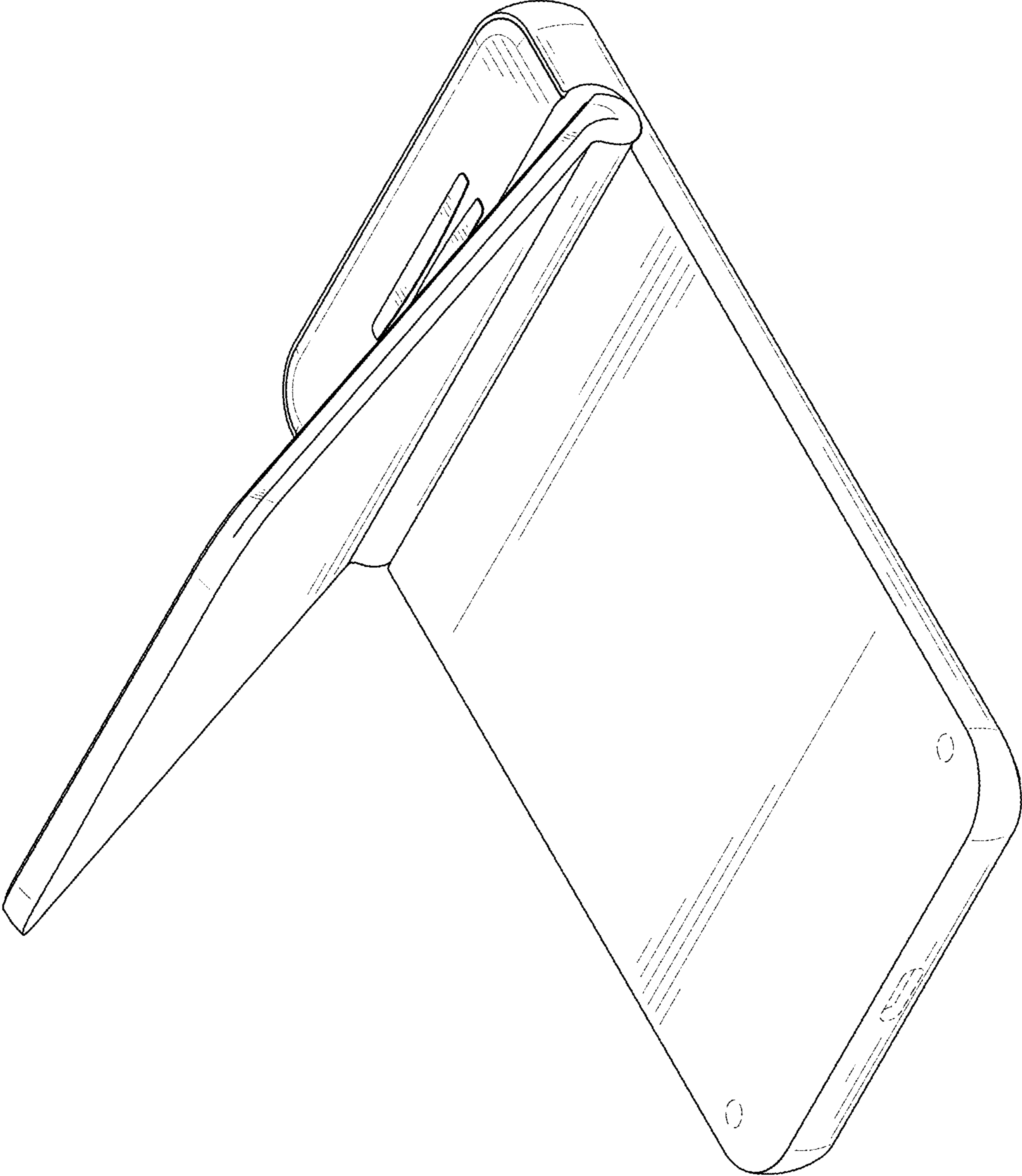


FIG. 9