



US00D875675S

(12) **United States Design Patent**
Zhang et al.

(10) **Patent No.:** **US D875,675 S**
(45) **Date of Patent:** **** Feb. 18, 2020**

- (54) **WIRELESS CHARGER**
- (71) Applicants: **Qingsen Zhang**, Shenzhen (CN);
Junling Chen, Shenzhen (CN);
Fengyou Zhang, Shenzhen (CN)
- (72) Inventors: **Qingsen Zhang**, Shenzhen (CN);
Junling Chen, Shenzhen (CN);
Fengyou Zhang, Shenzhen (CN)
- (73) Assignee: **UGREEN GROUP LIMITED**,
Shenzhen (CN)
- (**) Term: **15 Years**
- (21) Appl. No.: **29/667,376**
- (22) Filed: **Oct. 20, 2018**
- (51) **LOC (12) Cl.** **13-02**
- (52) **U.S. Cl.**
USPC **D13/108**
- (58) **Field of Classification Search**
USPC D13/107–110, 118–119, 184; D14/251,
D14/253, 432, 434
CPC Y02E 60/12; Y02T 90/14; Y02T 90/122;
Y02T 90/128; Y02T 90/163; H02J 7/025;
H02J 7/0042; H02J 7/0044; H02J 7/0045;
H02J 7/0003; H01F 38/14; H01R
13/6675; H01M 2/1022; H01M 2/1055;
H01M 10/44; H01M 10/46; H01M
10/425; B60L 11/182
See application file for complete search history.

D669,432 S *	10/2012	Park	D13/108
D693,814 S *	11/2013	Park	D14/434
D697,027 S *	1/2014	Ho	D13/108
D701,831 S *	4/2014	Park	D13/108
D748,575 S *	2/2016	Bulgarov	D13/108
D777,103 S *	1/2017	Park	D13/108
D789,295 S *	6/2017	Nuk	D13/108
D797,667 S *	9/2017	Park	D13/108
D797,668 S *	9/2017	Park	D13/108
D832,264 S *	10/2018	Kim	D14/434
D841,578 S *	2/2019	Kim	D13/108
D844,009 S *	3/2019	Kim	D14/434
D844,698 S *	4/2019	Isaacs	D18/12
D851,036 S *	6/2019	Saangloef	D13/108
D853,326 S *	7/2019	Jun	D13/108
D855,567 S *	8/2019	Cai	D13/108
2009/0102419 A1 *	4/2009	Gwon	H02J 7/025 320/108

* cited by examiner

Primary Examiner — Rosemary K Tarcza

(57) **CLAIM**

The ornamental design for a wireless charger, shown and described.

DESCRIPTION

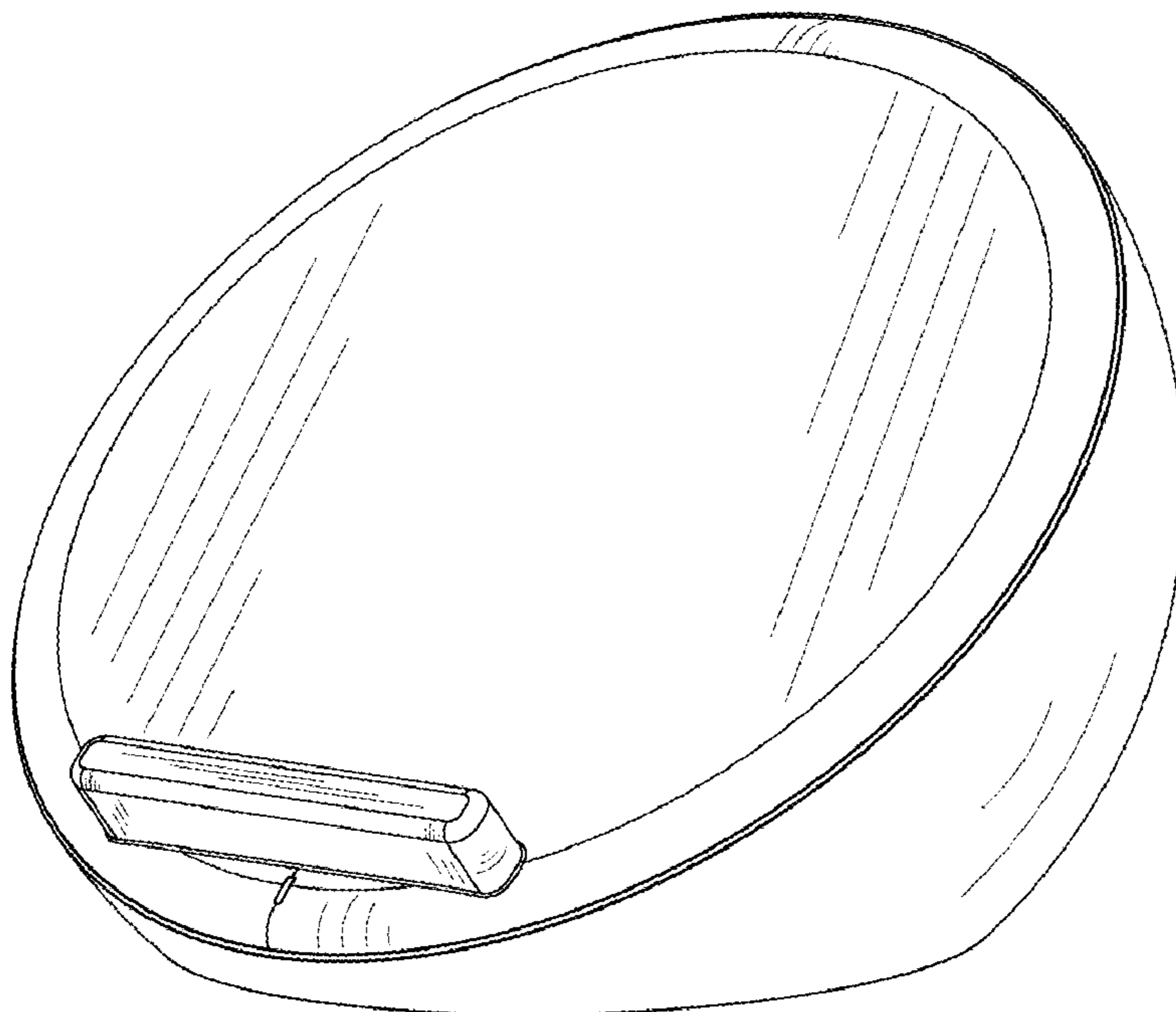
FIG. 1 is a front perspective view of a wireless charger showing our new design;
 FIG. 2 is a top plan view thereof;
 FIG. 3 is a bottom plan view thereof;
 FIG. 4 is a right side elevational view thereof;
 FIG. 5 is a left side elevational view thereof;
 FIG. 6 is a front elevational view thereof; and,
 FIG. 7 is a rear elevational view thereof.
 The broken lines depict environment that forms no part of the claimed design.

(56) **References Cited**

U.S. PATENT DOCUMENTS

- D620,884 S * 8/2010 Lee D13/108
- D640,248 S * 6/2011 Baumann D14/253

1 Claim, 7 Drawing Sheets



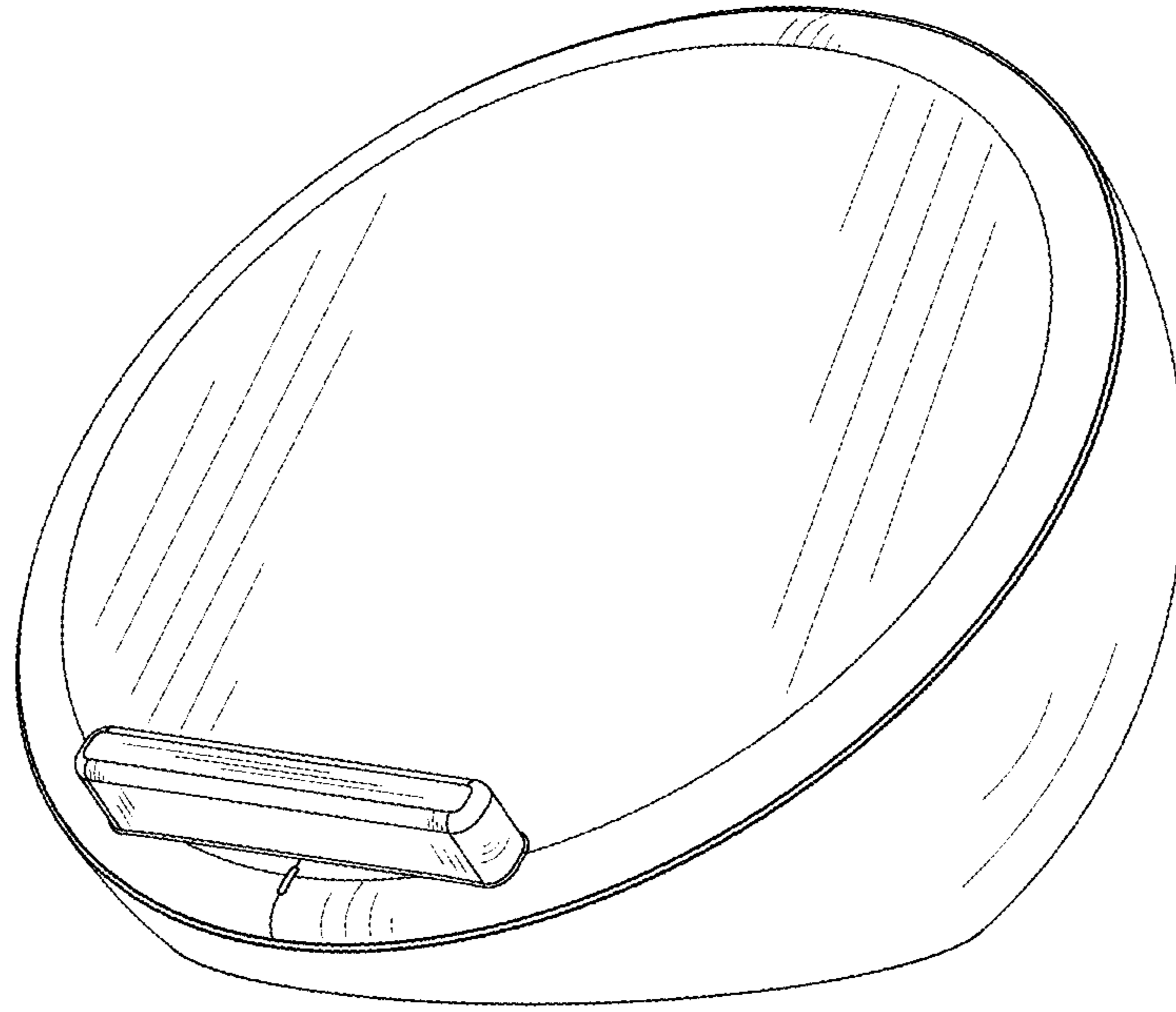


FIG. 1

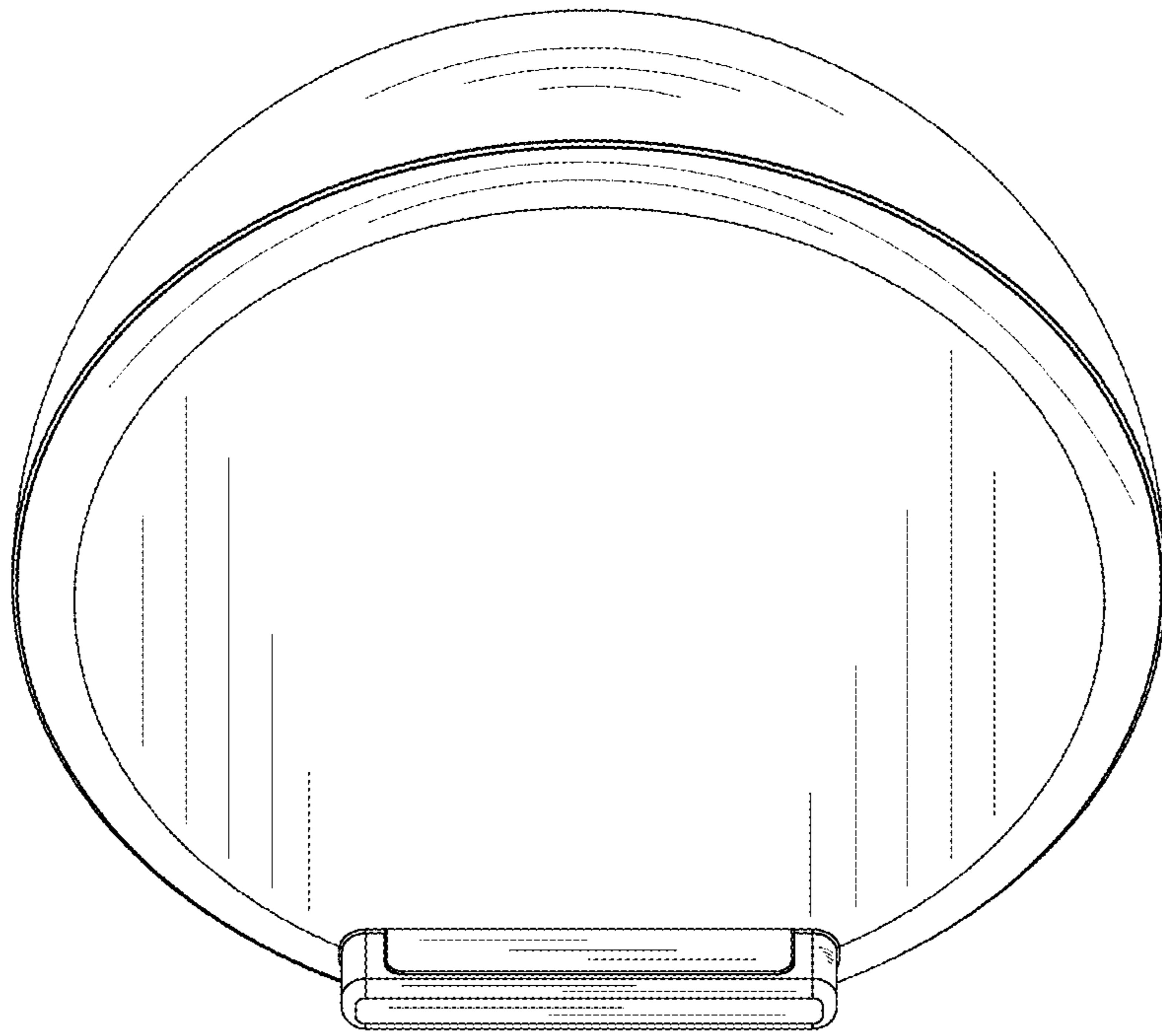


FIG. 2

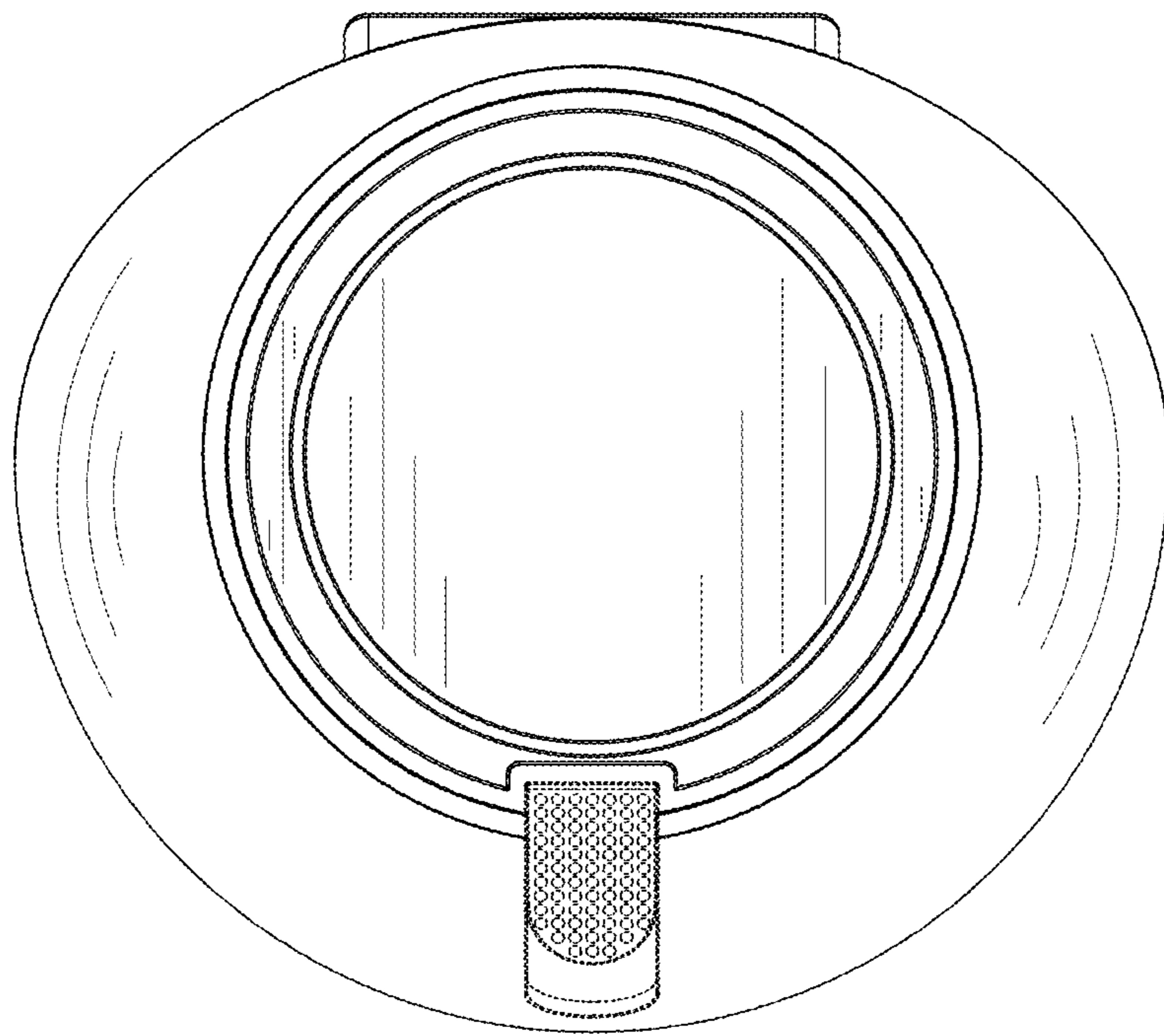


FIG. 3

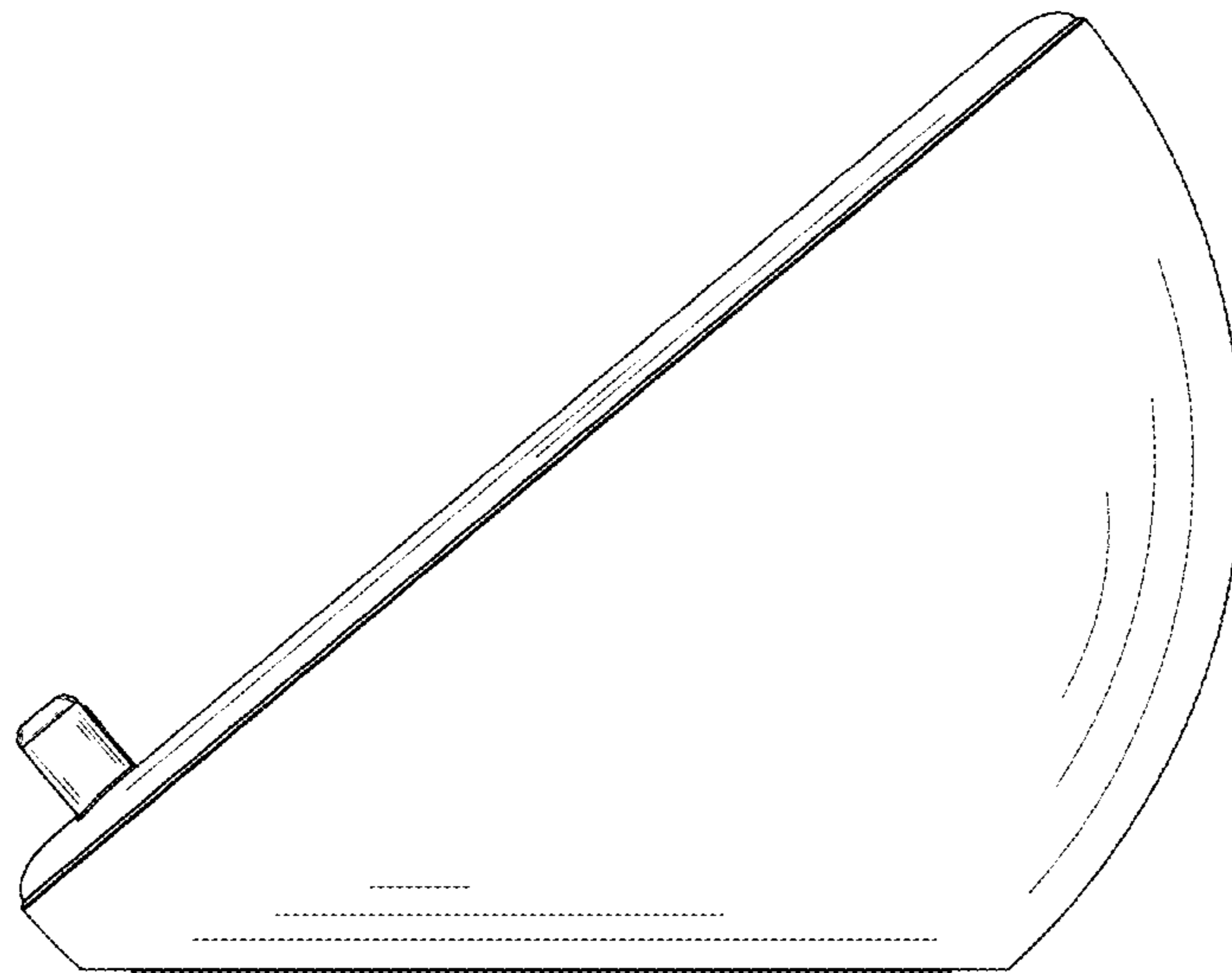


FIG. 4

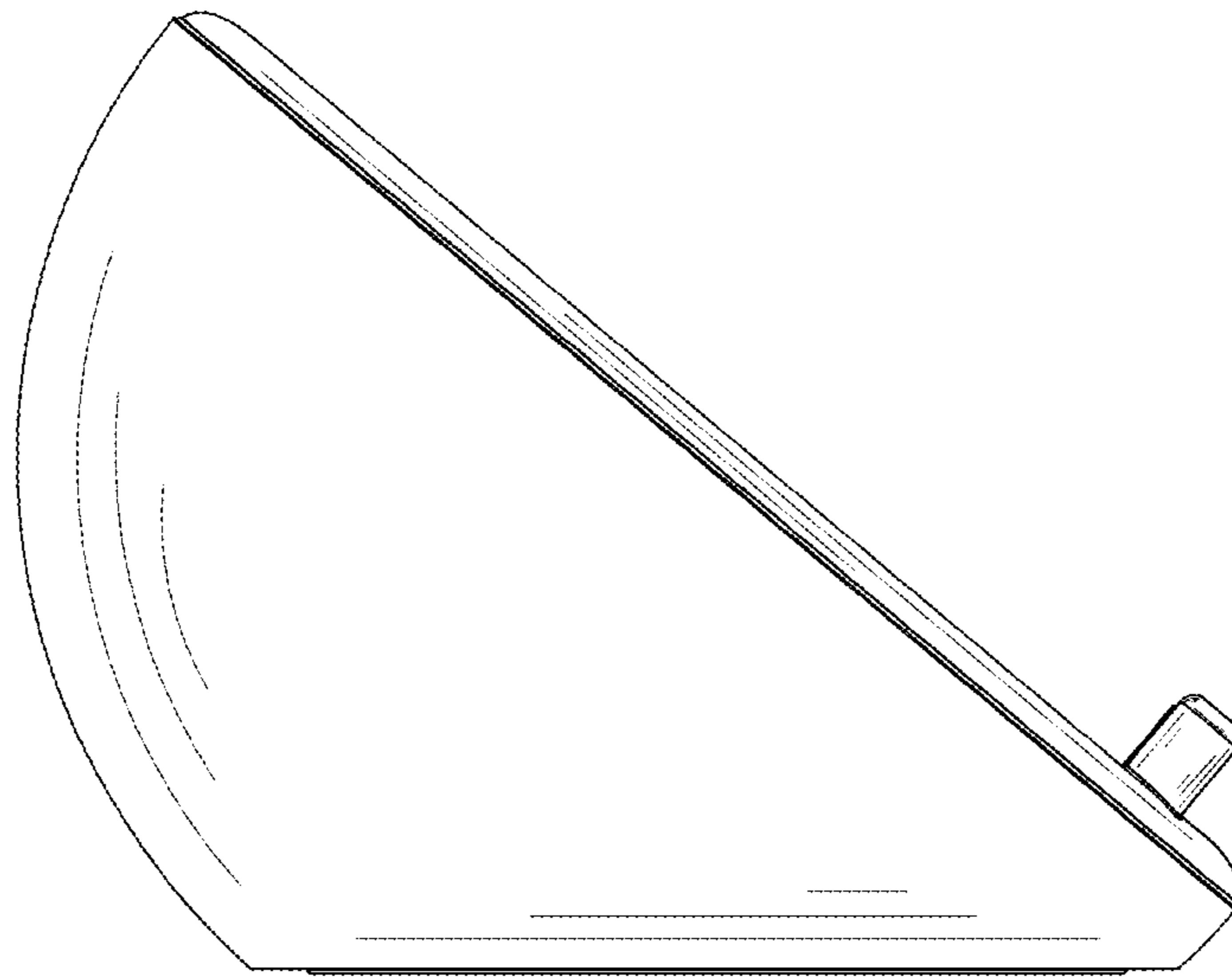


FIG. 5

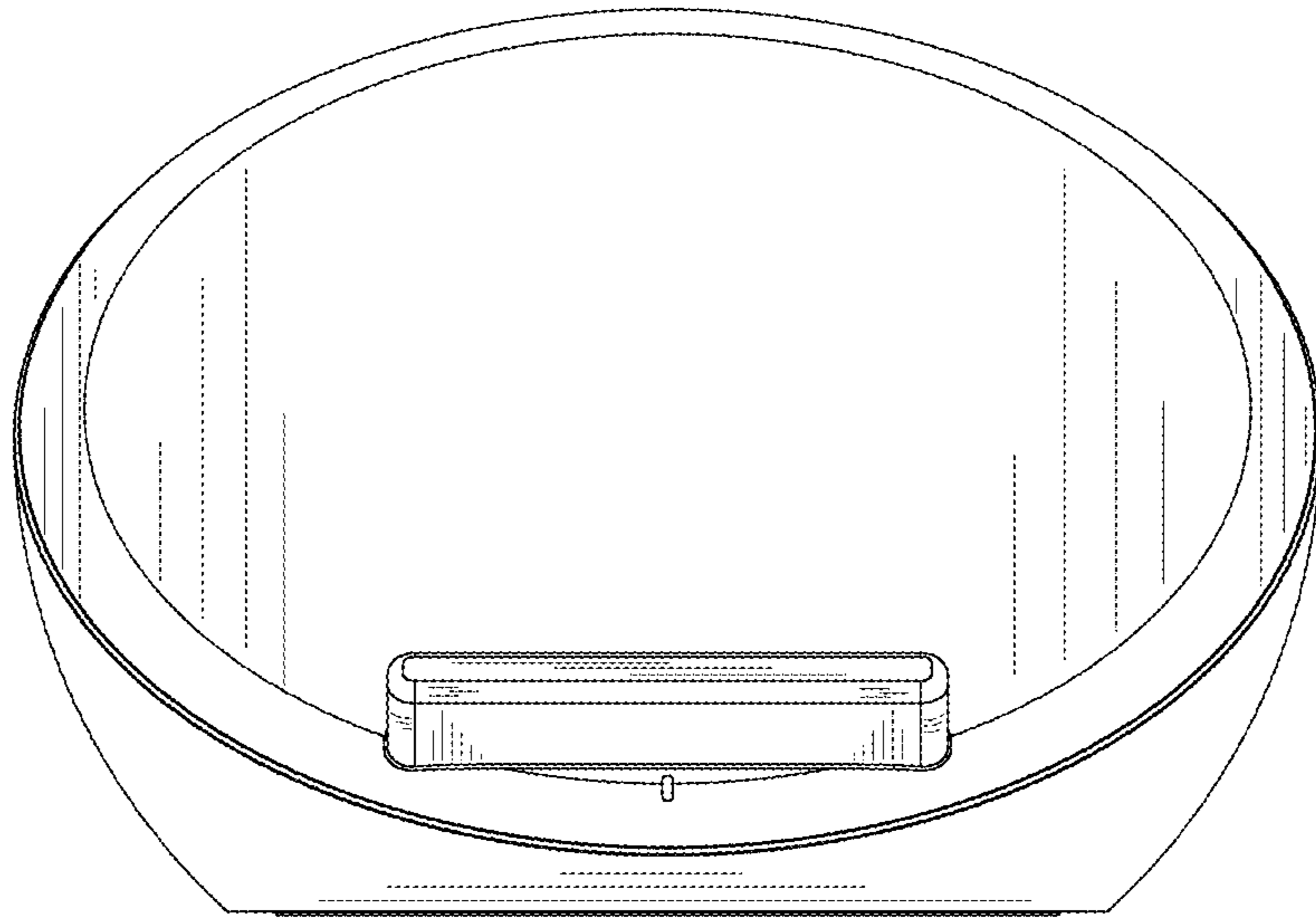


FIG. 6

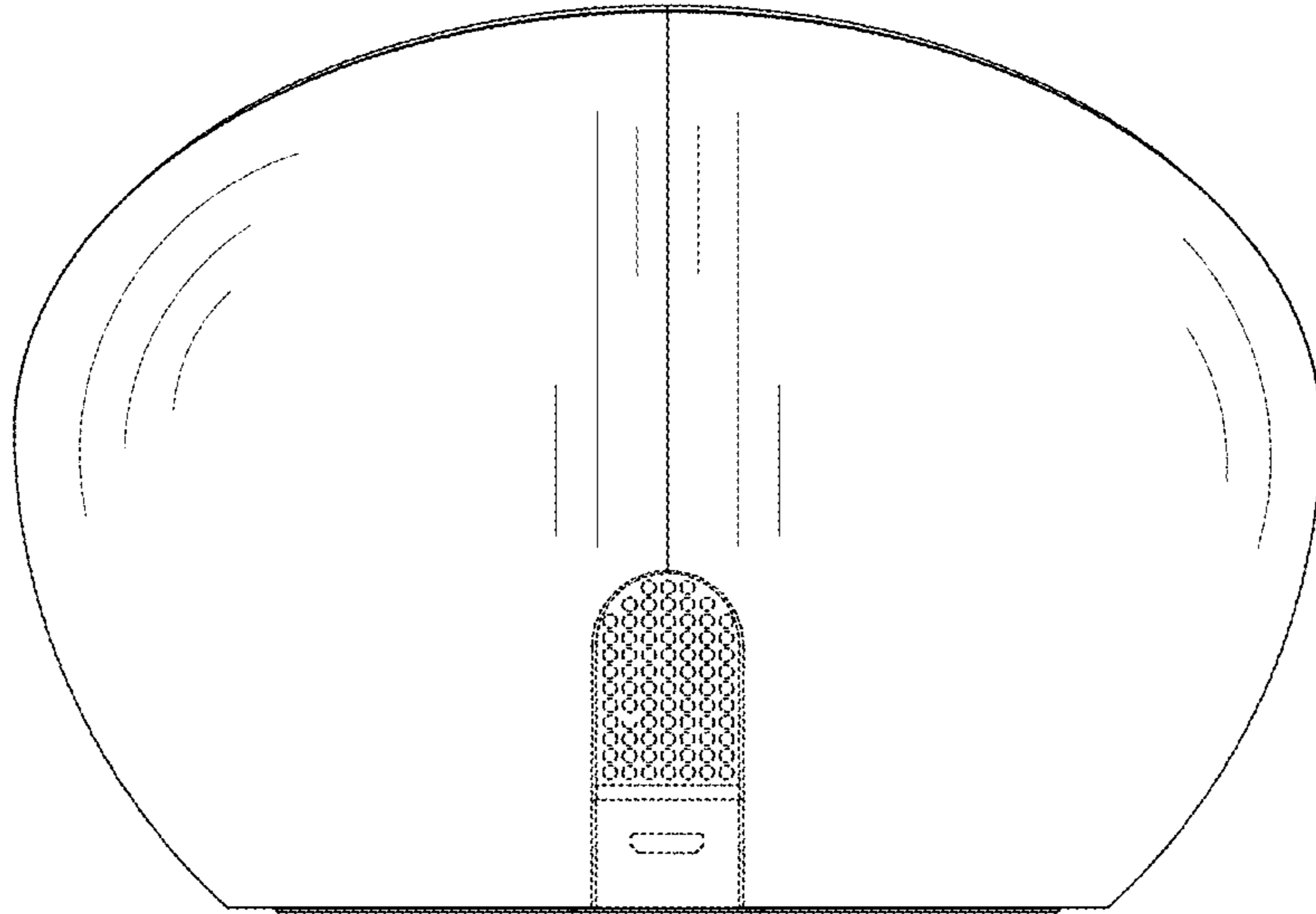


FIG. 7