



US00D875673S

(12) **United States Design Patent**  
**Sun**

(10) **Patent No.:** **US D875,673 S**

(45) **Date of Patent:** **\*\* Feb. 18, 2020**

(54) **WIRELESS CHARGING CASE**

(71) Applicant: **Shenzhen Leakind Precision Industry Co., Ltd.**, Shenzhen, Guangdong (CN)

(72) Inventor: **Zaijian Sun**, Guangdong (CN)

(73) Assignee: **SHENZHEN LEAKIND PRECISION INDUSTRY CO., LTD.**, Shenzhen (CN)

(\*\*) Term: **15 Years**

(21) Appl. No.: **29/659,293**

(22) Filed: **Aug. 8, 2018**

(51) **LOC (12) Cl.** ..... **13-02**

(52) **U.S. Cl.**  
USPC ..... **D13/108**

(58) **Field of Classification Search**  
USPC ..... D13/103, 107-108, 110, 118-119, 184,  
D13/199; D14/251, 253, 432, 434;  
D3/201, 208

CPC ..... H02J 7/00; H02J 7/0003; H02J 7/0011;  
H02J 7/0013; H02J 7/025; H02J 7/0054;  
H02J 7/0055; H02J 7/0057; H02J 5/00;  
H02J 5/005; H02J 50/00; H02J 50/10;  
H02J 50/12; H02J 50/50; H02J 50/80;  
H01M 10/46; H01M 10/465; H01M  
2200/30; H01M 2250/30

See application file for complete search history.

(56) **References Cited**

**U.S. PATENT DOCUMENTS**

D506,065 S \* 6/2005 Sugino ..... D13/103  
D548,178 S \* 8/2007 Suk ..... D13/108

D552,029 S \* 10/2007 Kingston ..... D13/108  
D564,960 S \* 3/2008 Sacco ..... D13/107  
D572,654 S \* 7/2008 Kang ..... D13/107  
D650,737 S \* 12/2011 Hamilton ..... D13/103  
D654,016 S \* 2/2012 Neidhart ..... D13/103  
D659,089 S \* 5/2012 Dong ..... D13/107  
D713,786 S \* 9/2014 Wen ..... D13/103  
D716,729 S \* 11/2014 Kelly ..... D13/110  
D775,414 S \* 12/2016 Ampolini ..... D13/108  
D821,867 S \* 7/2018 Oligschlaeger ..... D9/422  
D826,854 S \* 8/2018 Roberts ..... D13/108  
D829,168 S \* 9/2018 Masee ..... D13/108  
D832,208 S \* 10/2018 Grois ..... D13/108  
D843,316 S \* 3/2019 Zhou ..... D13/108

\* cited by examiner

*Primary Examiner* — Rosemary K Tarcza

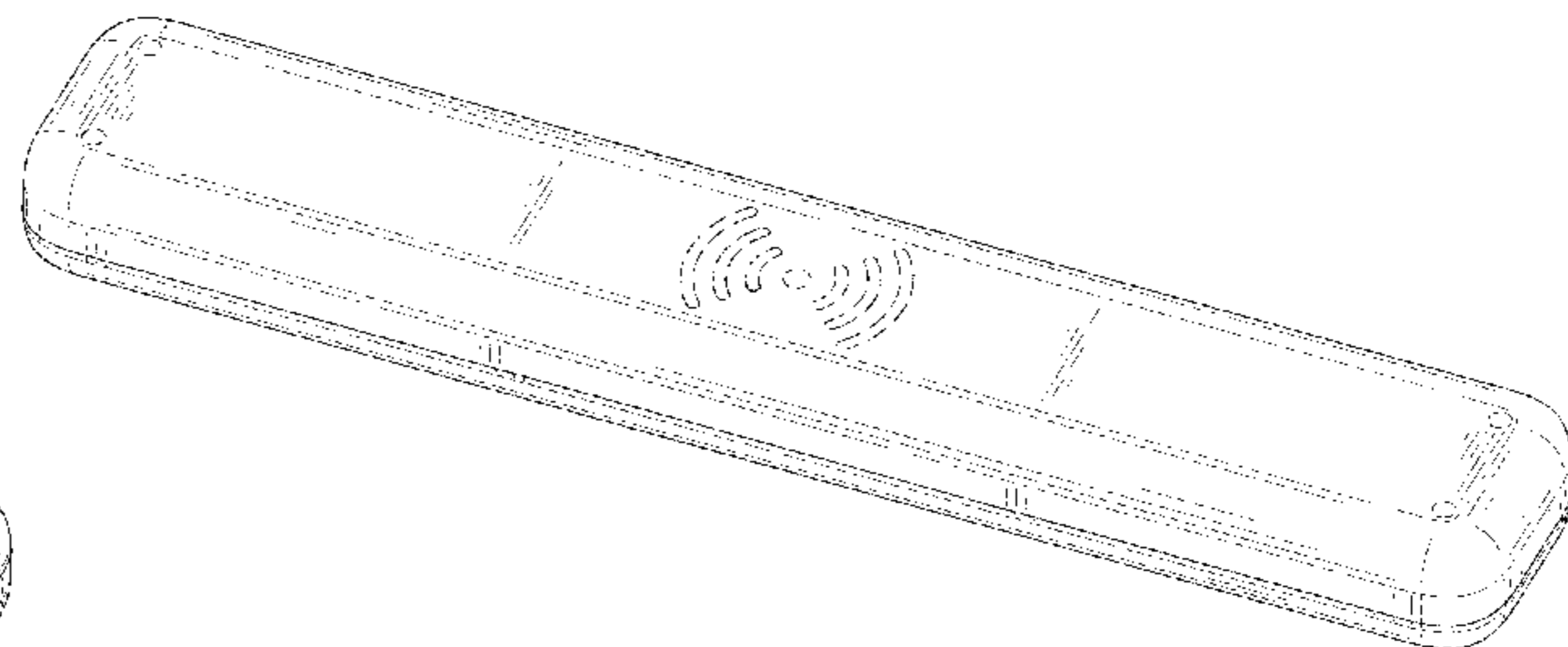
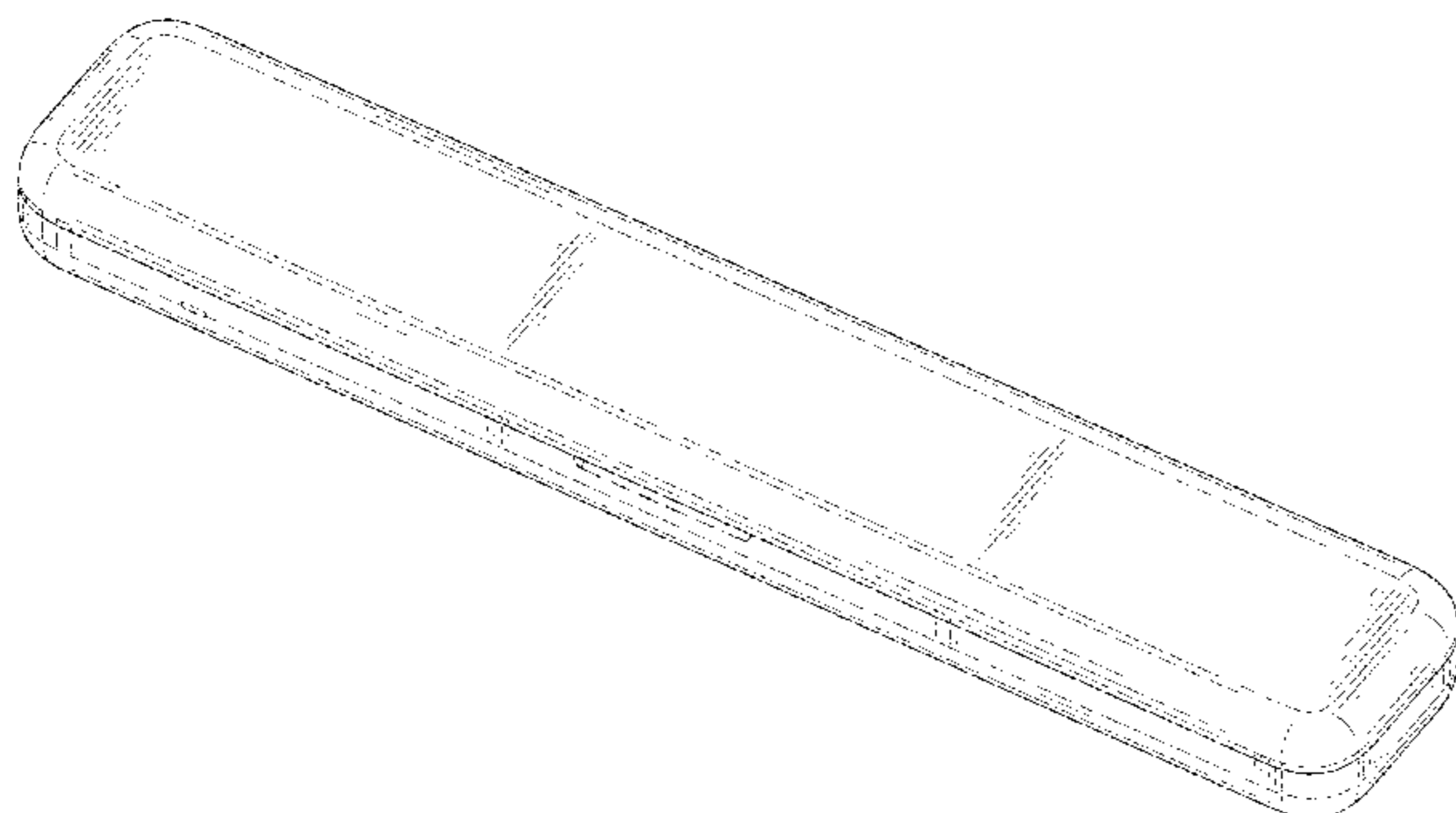
(57) **CLAIM**

The ornamental design for a wireless charging case, as shown and described.

**DESCRIPTION**

FIG. 1 is a bottom, front and right side perspective view of a wireless charging case showing my new design; FIG. 2 is a top, rear and right side perspective view thereof; FIG. 3 is a front elevational view thereof; FIG. 4 is a rear elevational view thereof; FIG. 5 is a left side view thereof; FIG. 6 is a right side view thereof; FIG. 7 is a top plan view thereof; and, FIG. 8 is a bottom plan view thereof. The broken lines in the drawings illustrate portions of the wireless charging case which form no part of the claimed design.

**1 Claim, 8 Drawing Sheets**



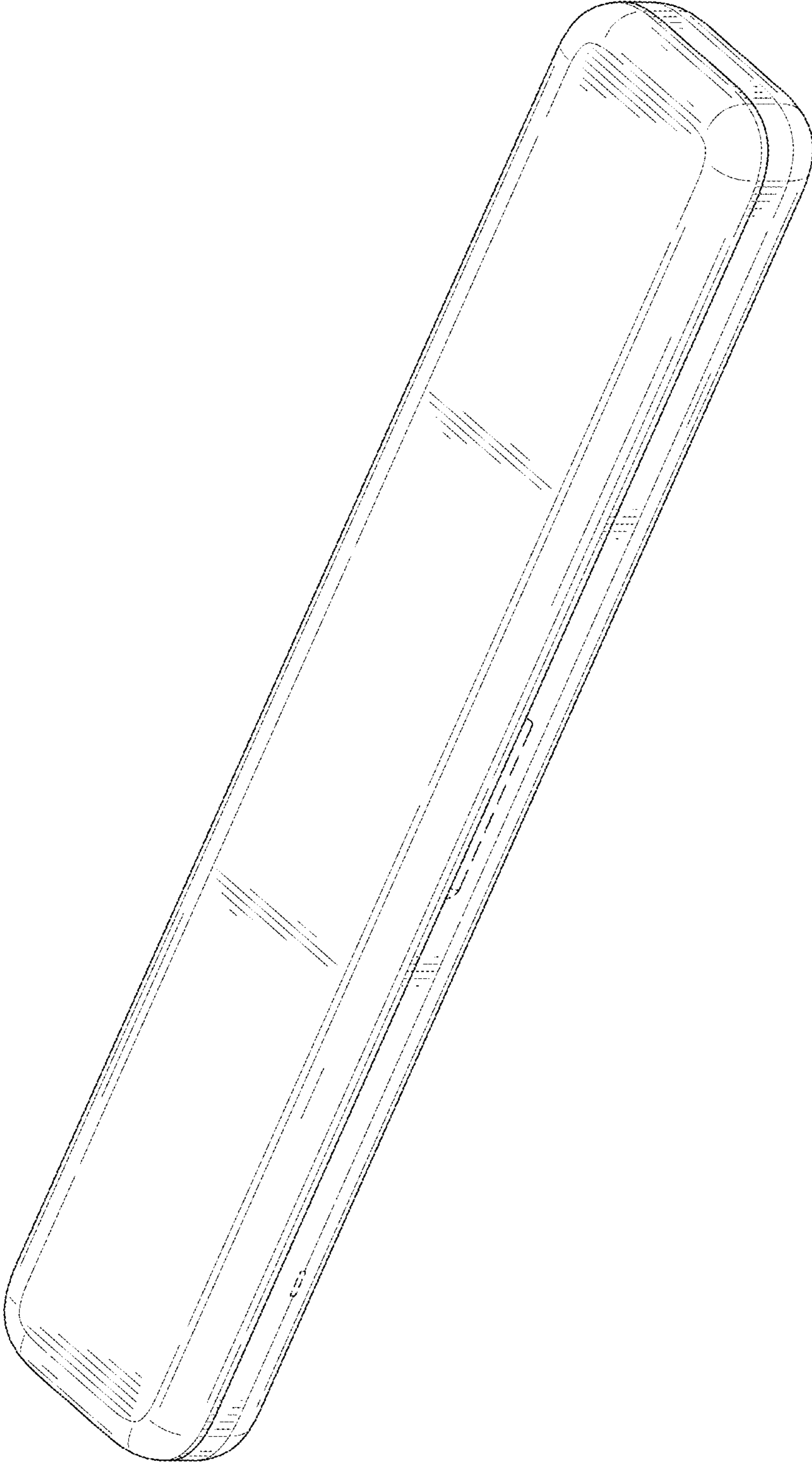


FIG. 1

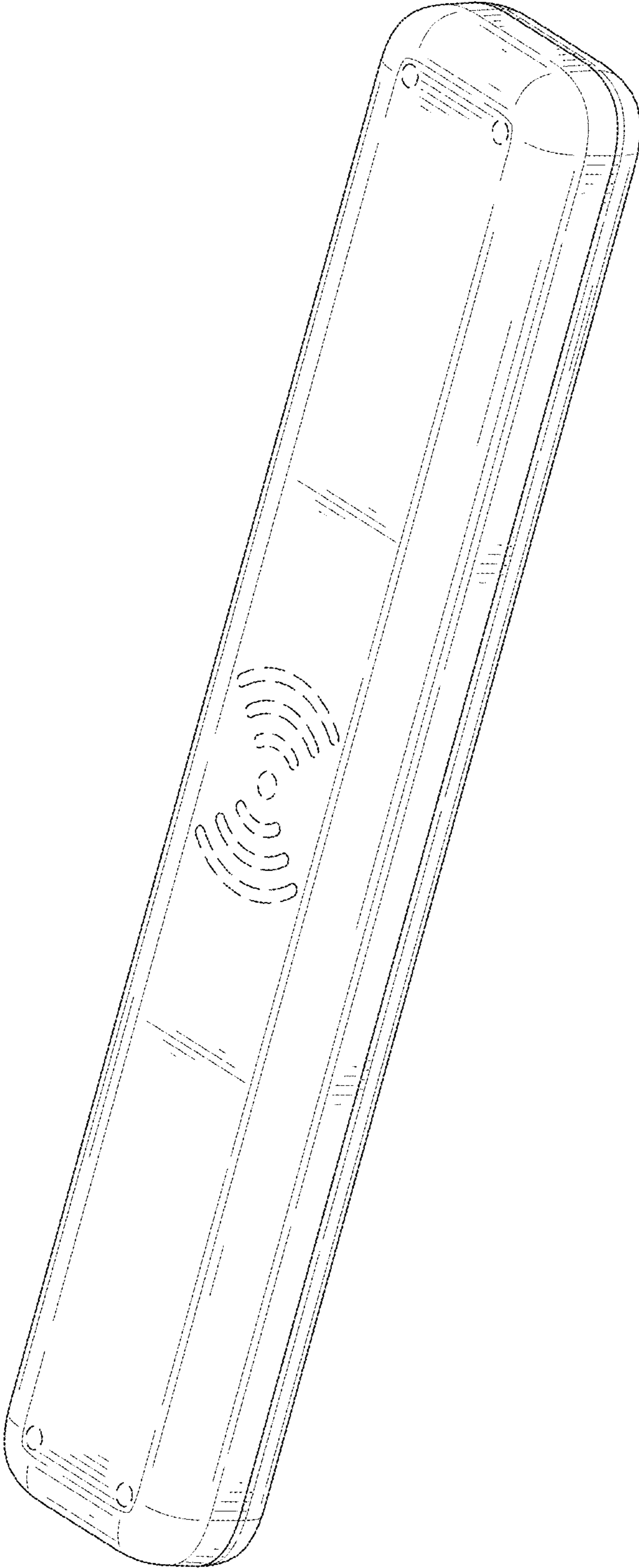


FIG. 2

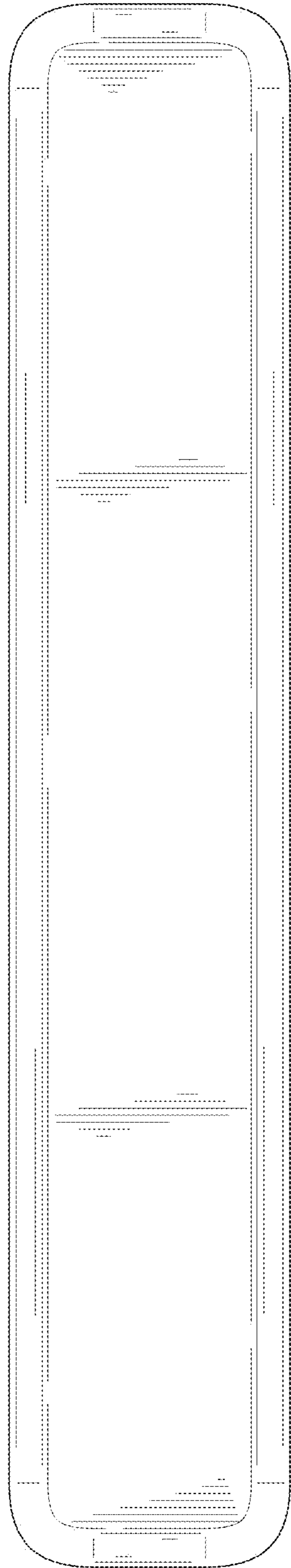


FIG. 3

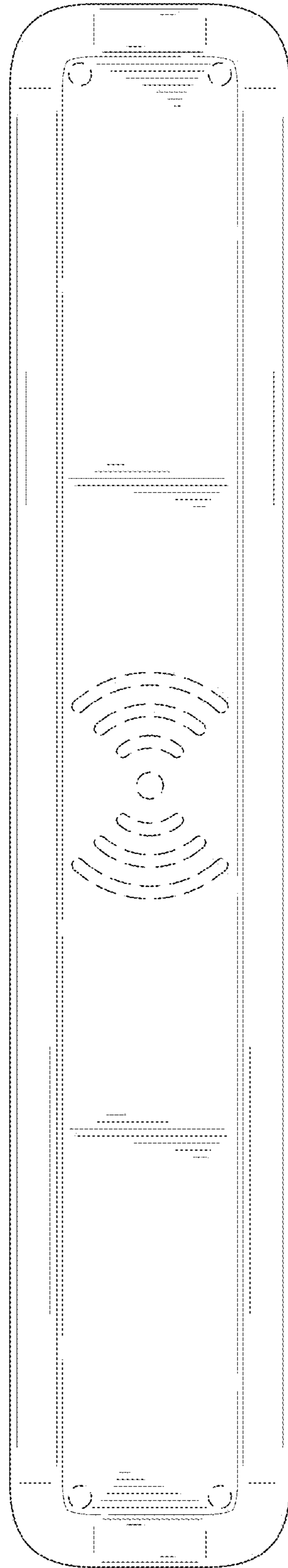


FIG. 4

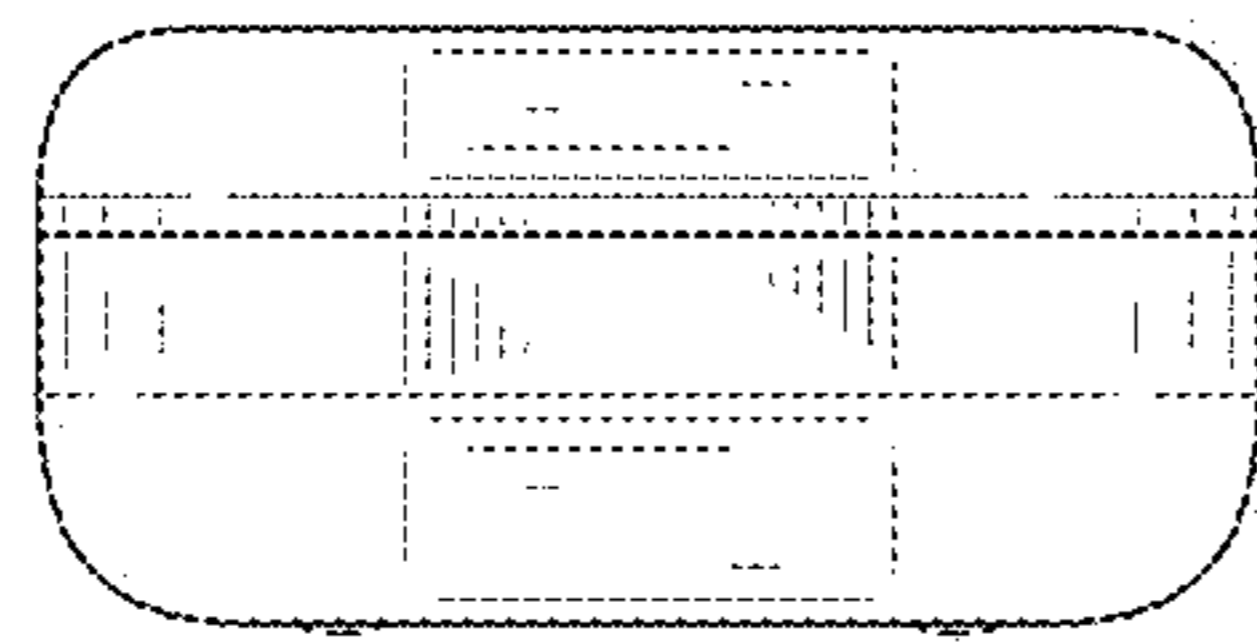


FIG. 5

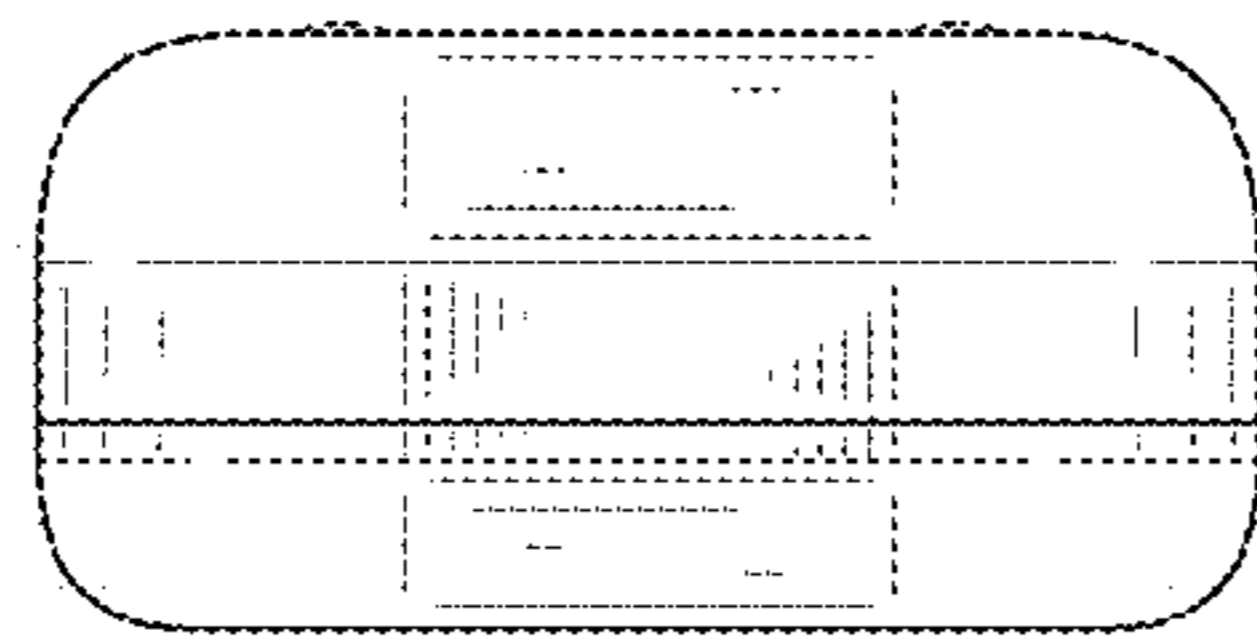


FIG. 6

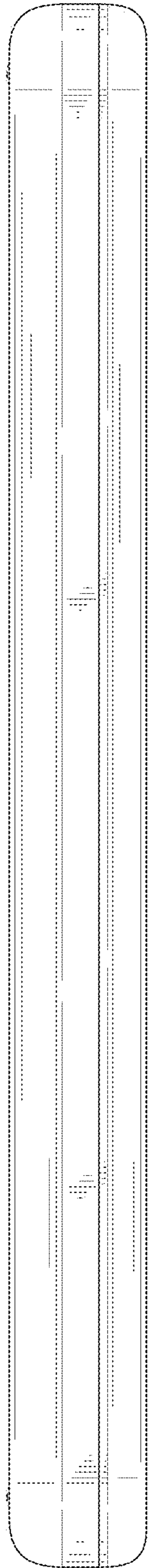


FIG. 7



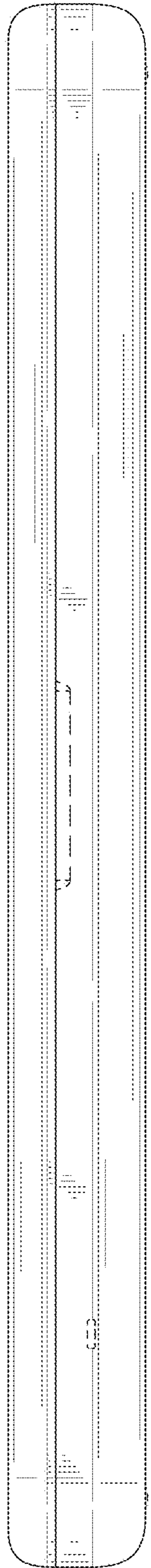


FIG. 8