

US00D875672S

(12) **United States Design Patent** (10) **Patent No.:** **US D875,672 S**
Natsume et al. (45) **Date of Patent:** **** Feb. 18, 2020**

(54) **CHARGER**

- (71) Applicant: **MAGIC LEAP, INC.**, Plantation, FL (US)
- (72) Inventors: **Shigeru Natsume**, Weston, FL (US); **Haney Awad**, Fort Lauderdale, FL (US); **Bradley Fraser**, Miami Beach, FL (US); **William Wheeler**, Fort Lauderdale, FL (US); **Sebastian Gonzalo Arrieta Gunther**, Fort Lauderdale, FL (US); **Masamune Kaji**, Plantation, FL (US)
- (73) Assignee: **Magic Leap, Inc.**, Plantation, FL (US)
- (**) Term: **15 Years**
- (21) Appl. No.: **29/658,773**
- (22) Filed: **Aug. 2, 2018**

Related U.S. Application Data

- (63) Continuation of application No. 29/650,411, filed on Jun. 6, 2018.
- (51) **LOC (12) Cl.** **13-02**
- (52) **U.S. Cl.**
USPC **D13/108; D13/153**
- (58) **Field of Classification Search**
USPC D13/107-110, 137.1-137.4, 138.1-138.2, D13/139.1-139.8, 149-157, 199, 133; D14/432, 433, 435.1; D8/350, 353-356
CPC H01R 25/00; H01R 25/003; H01R 25/006; H01R 11/00; H01R 9/00; H01R 13/5845; H01R 13/72; H01R 13/46; H01R 31/06; H01R 24/28; H02J 2007/0062; H01B 7/2806; A61F 2/962
See application file for complete search history.

(56) **References Cited**

U.S. PATENT DOCUMENTS

D416,233 S	11/1999	Tsai	
D456,509 S	4/2002	Schultz	
D467,545 S	12/2002	Wang	
D485,239 S	1/2004	Whalin et al.	
D520,457 S *	5/2006	Wada	D13/156
D520,459 S *	5/2006	Kent	D13/156
D558,769 S	1/2008	Krieger et al.	

(Continued)

OTHER PUBLICATIONS

Notice of Allowance for Chinese Appln. No. 201830676948.8 dated Mar. 4, 2019 (1 page).
(Continued)

Primary Examiner — Rosemary K Tarcza
Assistant Examiner — Christy M Nemeth
(74) *Attorney, Agent, or Firm* — Vista IP Law Group LLP

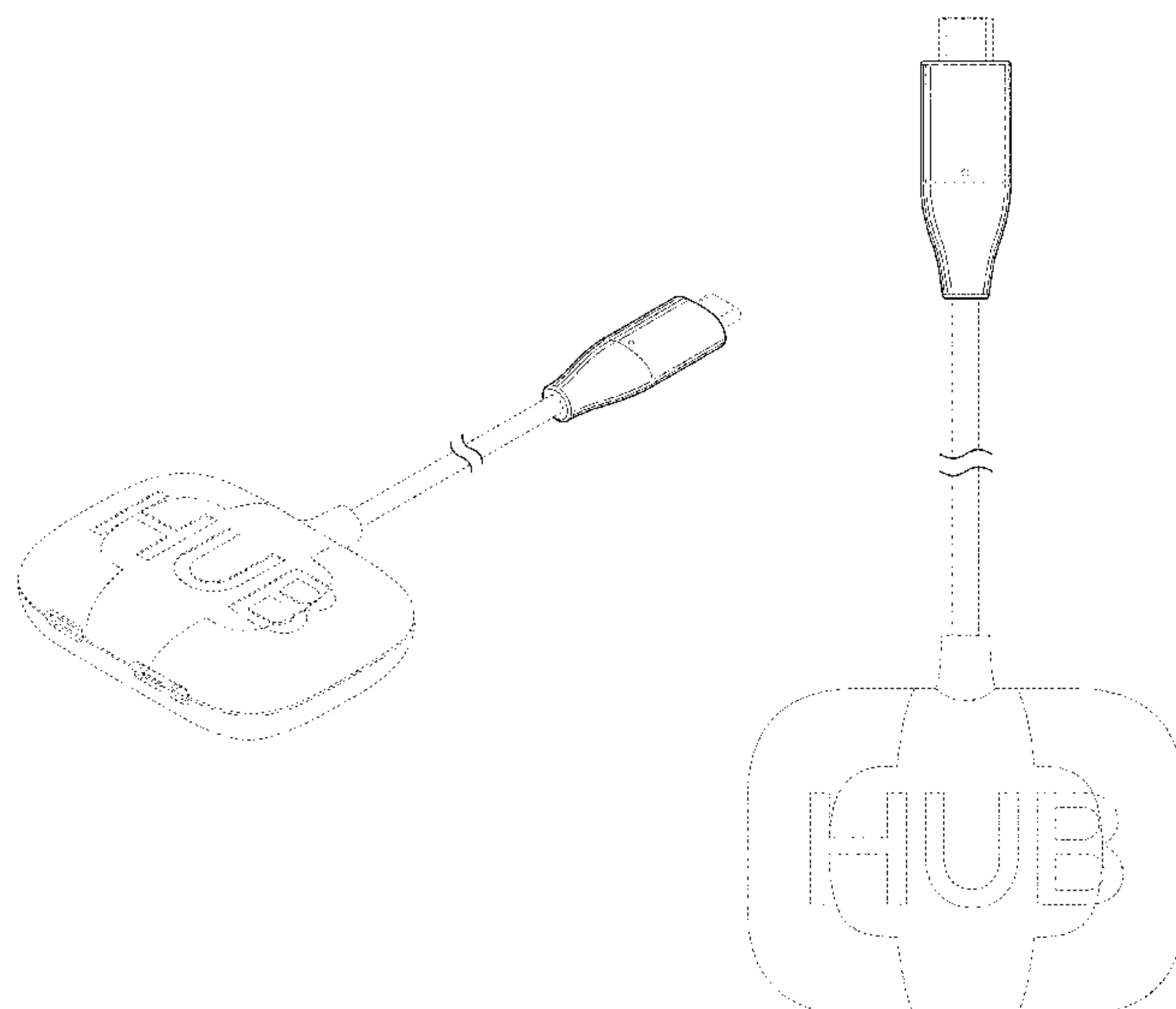
(57) **CLAIM**

We claim the ornamental design for a charger, as shown and described.

DESCRIPTION

This application is related to U.S. Design patent application Ser. No. 29/658,767 filed on Aug. 2, 2018 and entitled "Charger". The contents of the aforementioned patent application are hereby expressly and fully incorporated by reference in their entirety, as though set forth in full. FIG. 1 is a front perspective view of a charger showing our design; FIG. 2 is a front view thereof; FIG. 3 is a rear view thereof; FIG. 4 is a left view thereof; FIG. 5 is a right view thereof; FIG. 6 is a top view thereof; and, FIG. 7 is a bottom view thereof. The broken lines shown in the figures show portions of the charger that form no part of the claimed design.

1 Claim, 7 Drawing Sheets



(56)

References Cited

U.S. PATENT DOCUMENTS

D564,971 S * 3/2008 Victor D13/146
 D599,800 S 9/2009 Klein et al.
 D602,436 S 10/2009 Wu et al.
 D604,251 S * 11/2009 Hwang D13/154
 D604,253 S * 11/2009 Andre D13/133
 D613,249 S 4/2010 Nagata et al.
 D626,091 S * 10/2010 Neitzel D13/156
 D628,537 S * 12/2010 Nagata D13/147
 D673,110 S 12/2012 Sasada et al.
 D714,731 S 10/2014 Lee
 D725,034 S 3/2015 Chen
 D737,760 S 9/2015 Kyriakoulis et al.
 D740,749 S 10/2015 Stewart
 D755,790 S 5/2016 Salvatori et al.
 D776,620 S * 1/2017 Yang D13/153
 D782,485 S 3/2017 Cai
 D784,931 S * 4/2017 Fries D13/153
 D793,344 S * 8/2017 Wang D13/153
 D793,962 S * 8/2017 Vandiver D13/153
 D795,816 S * 8/2017 He D13/153
 D796,435 S 9/2017 Cho
 D797,680 S * 9/2017 Kalis D13/153
 D798,807 S 10/2017 Shi et al.

D801,282 S * 10/2017 Hsieh D13/154
 D810,748 S * 2/2018 Zhang D14/433
 D810,749 S * 2/2018 Zhang D14/433
 D820,786 S 6/2018 Fawcett et al.
 D823,260 S * 7/2018 Petersen D13/153
 D824,855 S 8/2018 Eshelman et al.
 D831,656 S * 10/2018 Jhun D14/432
 D832,793 S * 11/2018 Vandiver D13/153
 D841,008 S * 2/2019 Yu D14/433
 D842,803 S * 3/2019 Nishizawa D13/108
 D850,372 S 6/2019 Kong et al.
 D851,047 S * 6/2019 Zhang D13/153
 D851,089 S * 6/2019 Sweet D14/433
 D851,090 S 6/2019 Tak et al.
 D854,016 S * 7/2019 Laine D14/433
 D854,017 S * 7/2019 Claudepierre D14/433

OTHER PUBLICATIONS

Notice of Allowance for U.S. Appl. No. 29/650,411 dated Sep. 19, 2019.

Notice of Allowance for U.S. Appl. No. 29/658,767 dated Sep. 19, 2019.

* cited by examiner

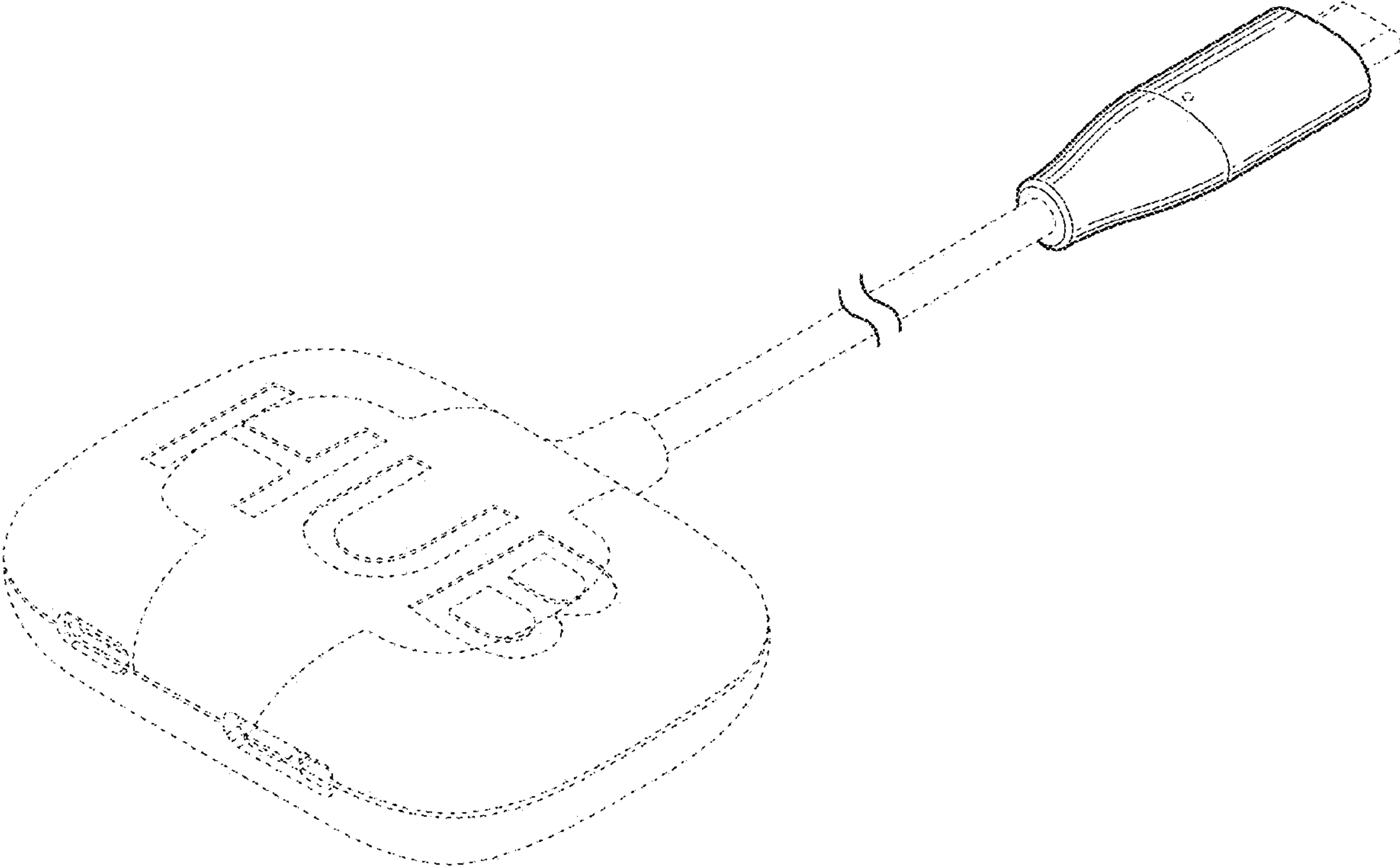


FIG. 1

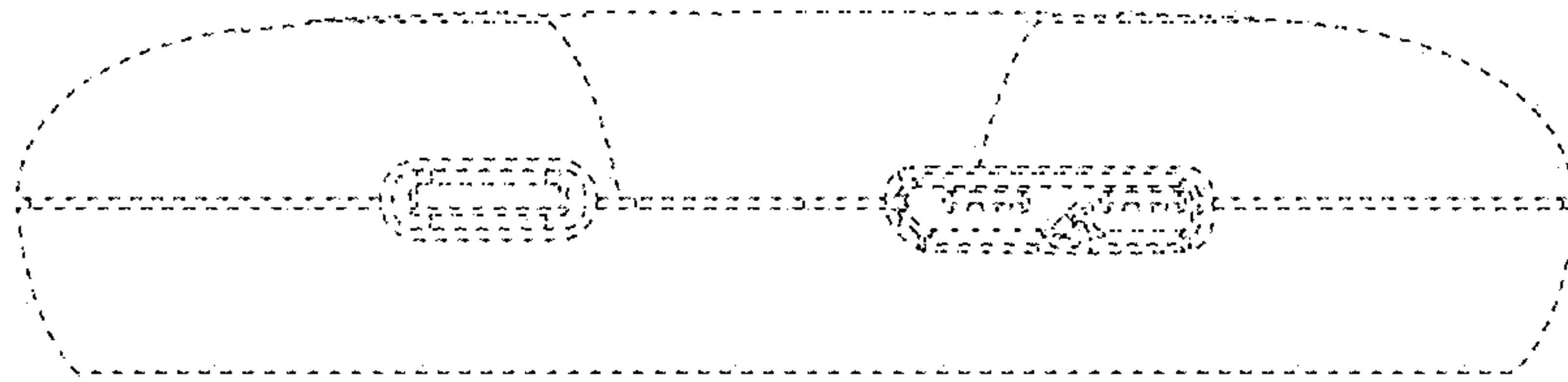


FIG. 2

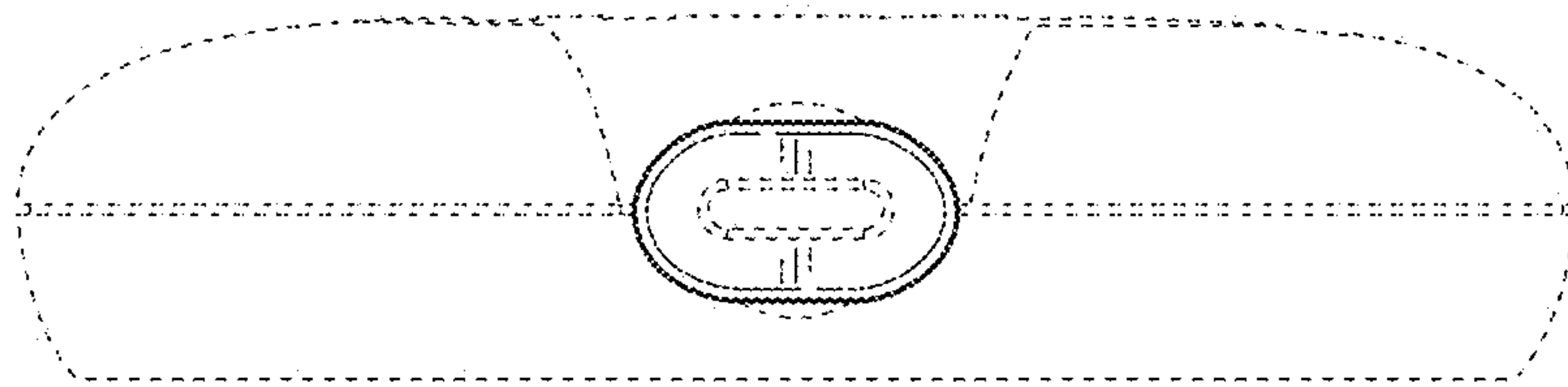


FIG. 3

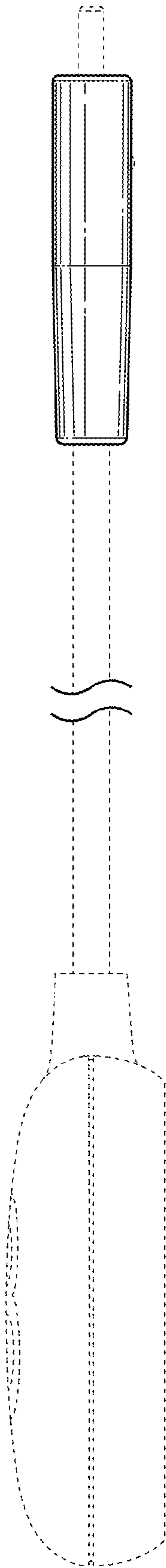


FIG. 4

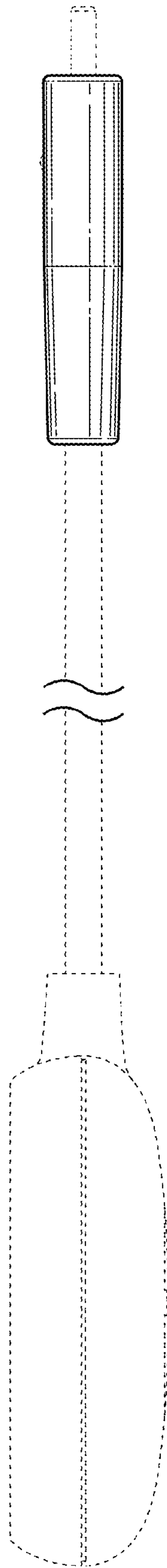


FIG. 5

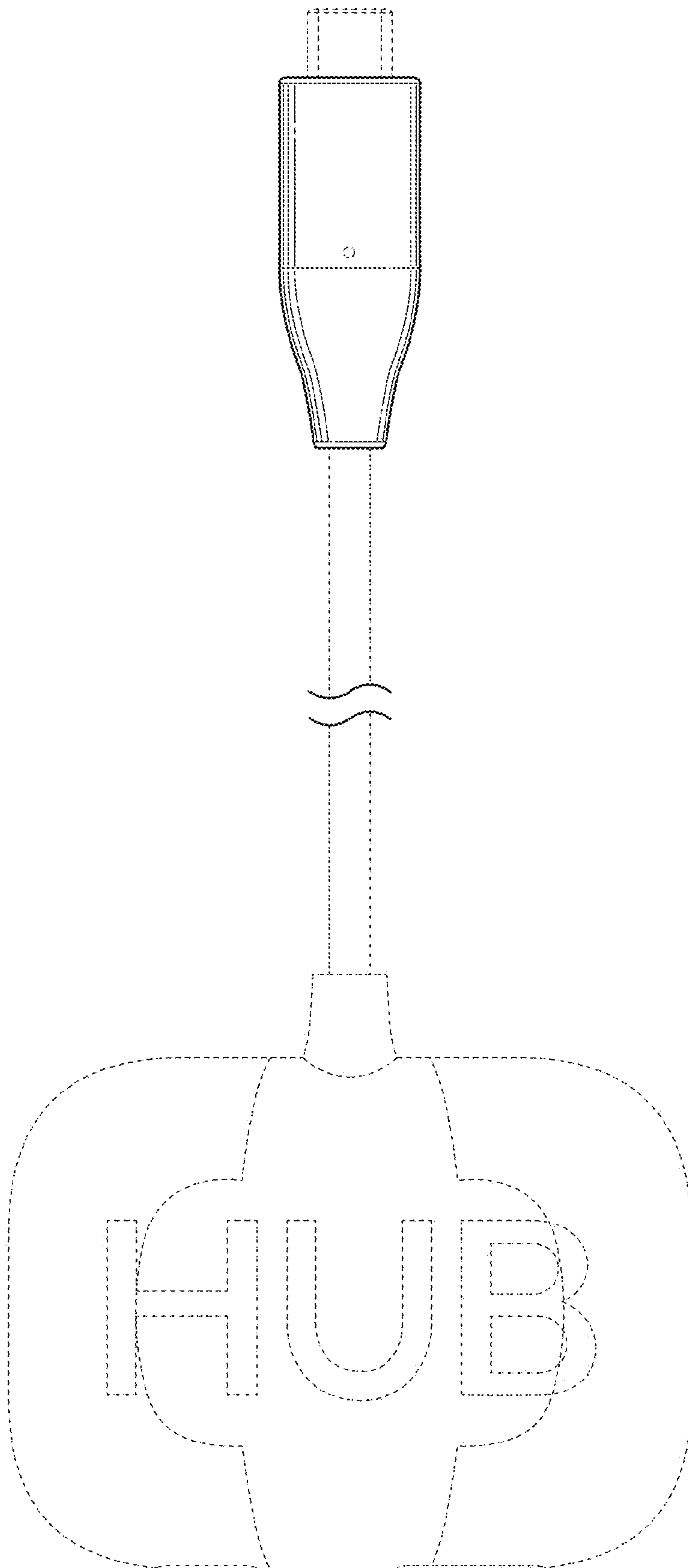


FIG. 6

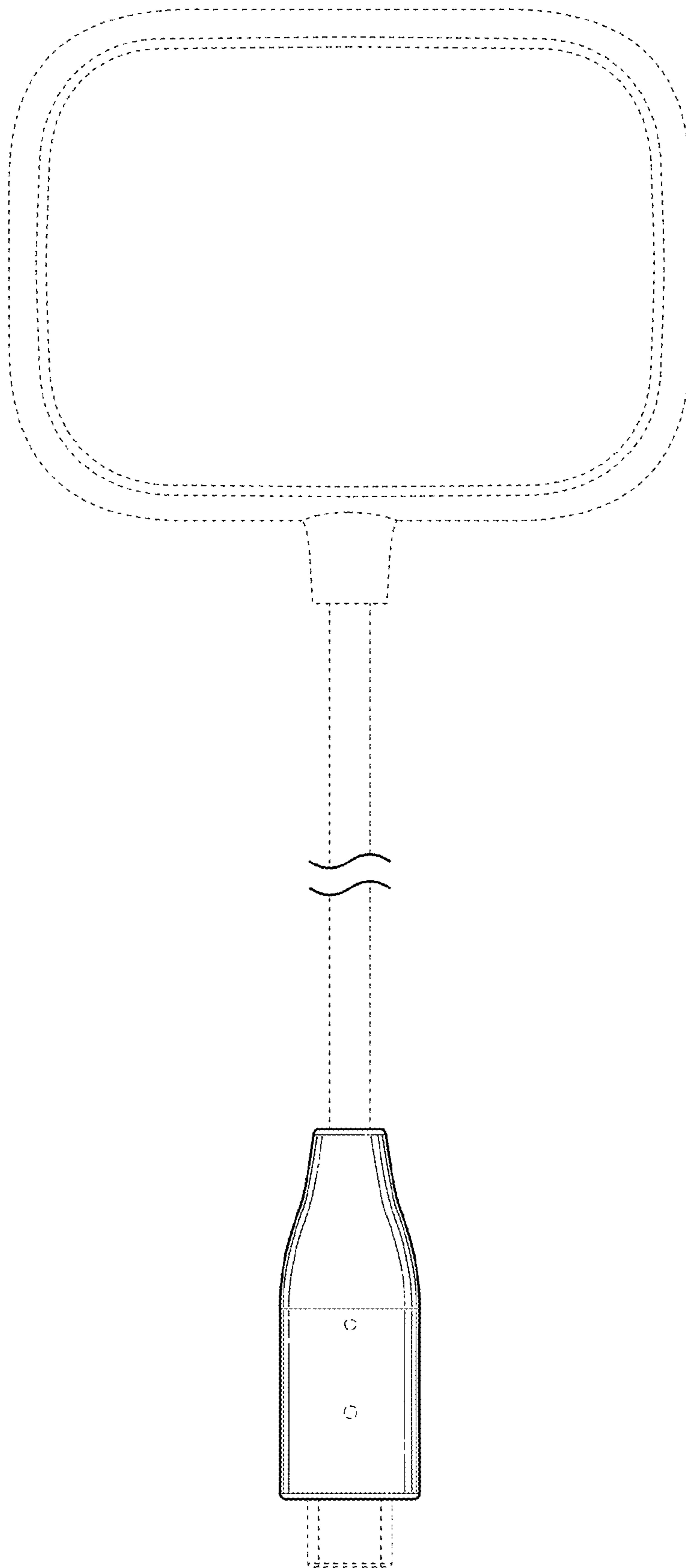


FIG. 7