



US00D875671S

(12) **United States Design Patent** (10) **Patent No.:** **US D875,671 S**
Natsume et al. (45) **Date of Patent:** **** Feb. 18, 2020**

(54) **CHARGER**

- (71) Applicant: **MAGIC LEAP, INC.**, Plantation, FL (US)
- (72) Inventors: **Shigeru Natsume**, Weston, FL (US); **Haney Awad**, Fort Lauderdale, FL (US); **Bradley Fraser**, Miami Beach, FL (US); **William Wheeler**, Fort Lauderdale, FL (US); **Sebastian Gonzalo Arrieta Gunther**, Fort Lauderdale, FL (US); **Masamune Kaji**, Plantation, FL (US)
- (73) Assignee: **Magic Leap, Inc.**, Plantation, FL (US)
- (**) Term: **15 Years**
- (21) Appl. No.: **29/658,767**
- (22) Filed: **Aug. 2, 2018**

Related U.S. Application Data

- (63) Continuation of application No. 29/650,411, filed on Jun. 6, 2018.
- (51) **LOC (12) Cl.** **13-02**
- (52) **U.S. Cl.**
USPC **D13/108**
- (58) **Field of Classification Search**
USPC D13/103, 107, 108, 110, 118, 119, 123, D13/133, 137.1–137.4, 138.1–138.2, D13/139.1–139.8, 152–154, 184, 199
(Continued)

(56) **References Cited**

U.S. PATENT DOCUMENTS

- D416,233 S * 11/1999 Tsai D13/147
 - D456,509 S * 4/2002 Schultz D13/153
- (Continued)

OTHER PUBLICATIONS

Notice of Allowance for Chinese Appln. No. 201830676948.8 dated Mar. 4, 2019 (1 page).
(Continued)

Primary Examiner — Rosemary K Tarcza
Assistant Examiner — Christy M Nemeth
(74) *Attorney, Agent, or Firm* — Vista IP Law Group LLP

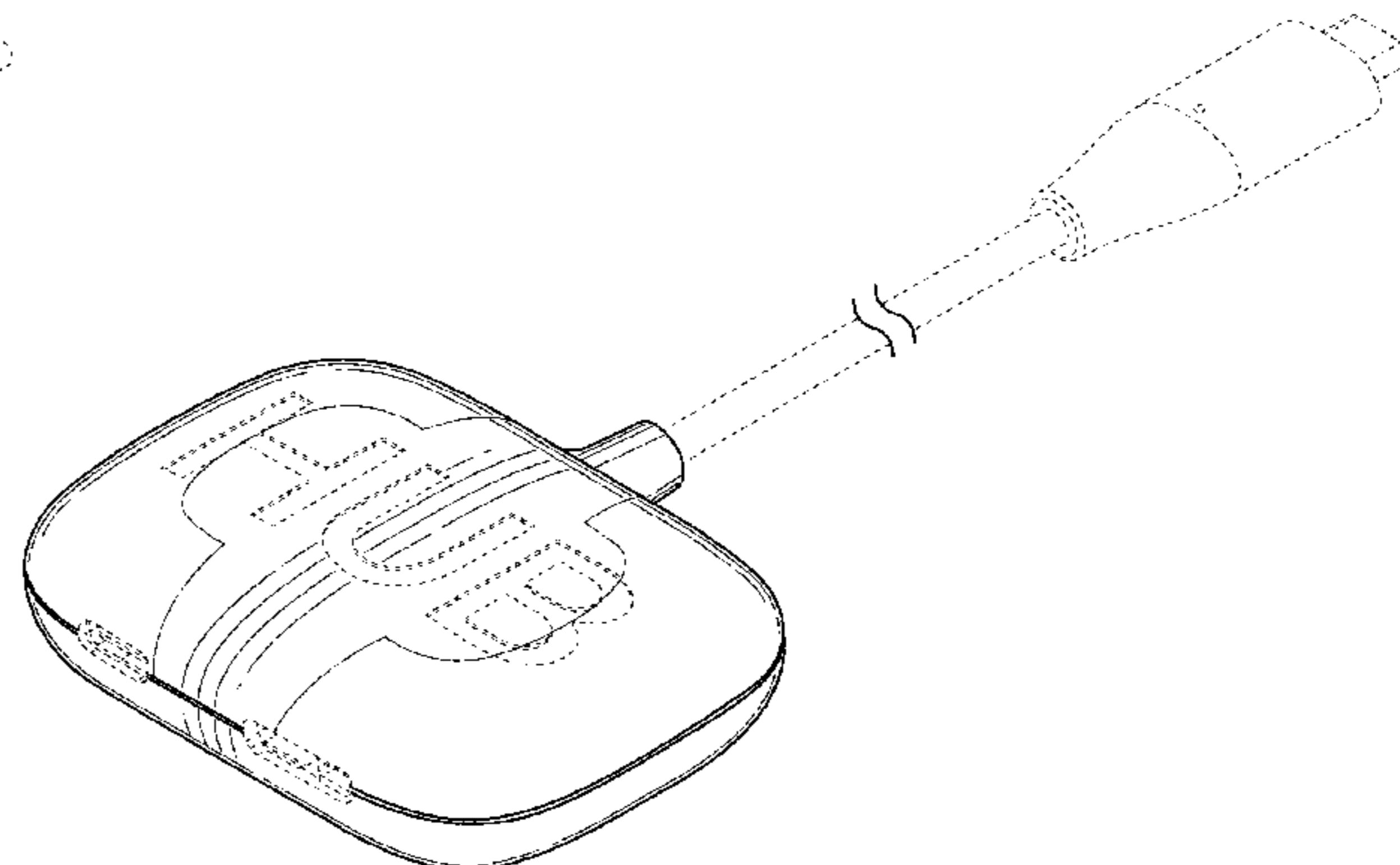
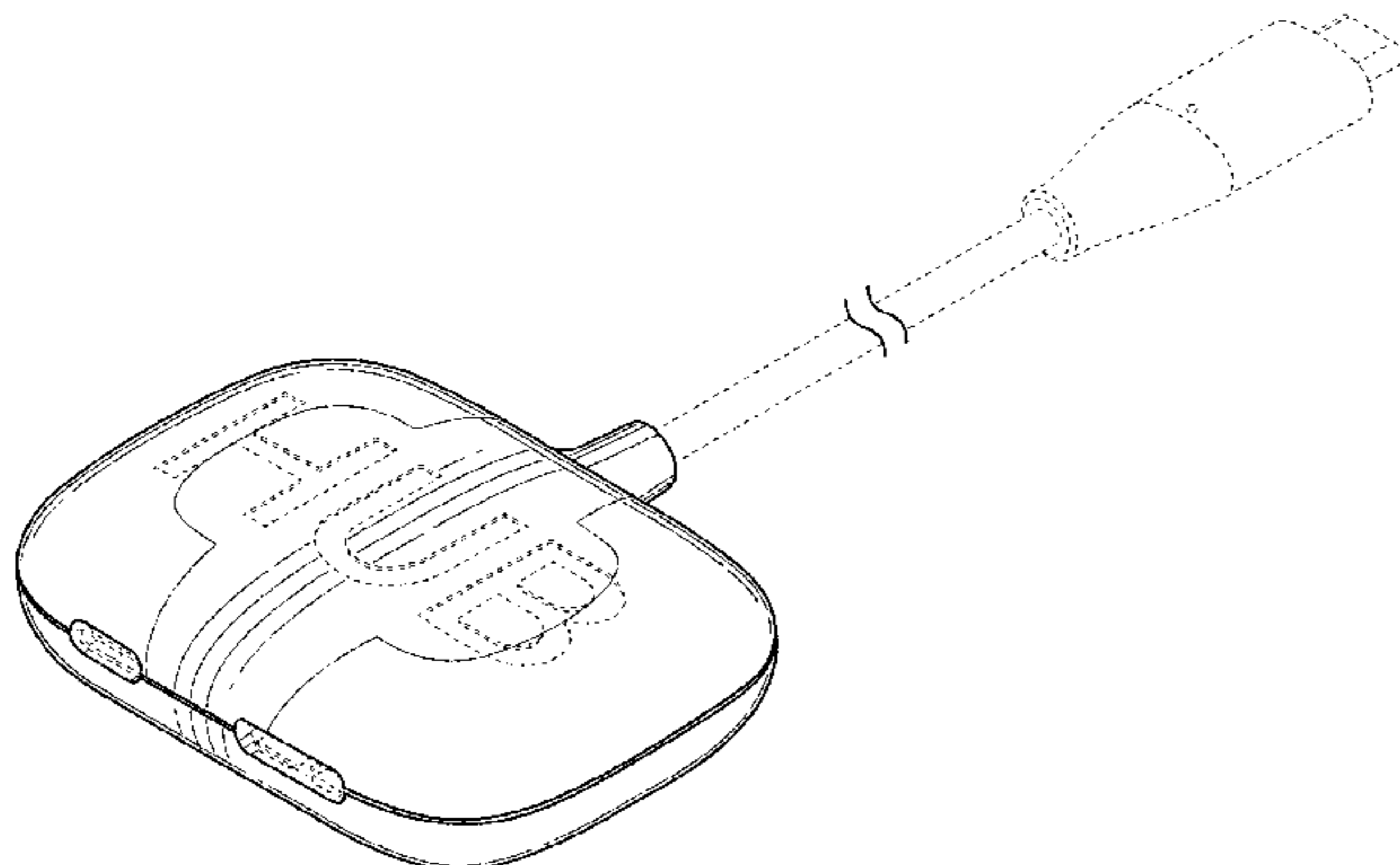
(57) **CLAIM**

We claim the ornamental design for a charger, as shown and described.

DESCRIPTION

This application is related to U.S. Design patent application Ser. No. 29/658,773, filed on Aug. 2, 2018 and entitled “Charger”. The contents of the aforementioned patent applications are hereby expressly and fully incorporated by reference in their entirety, as though set forth in full. FIG. 1 is a front perspective view of a charger showing a first embodiment of our design; FIG. 2 is a front view thereof; FIG. 3 is a rear view thereof; FIG. 4 is a left view thereof; FIG. 5 is a right view thereof; FIG. 6 is a top view thereof; FIG. 7 is a bottom view thereof; FIG. 8 is a front perspective view of a charger showing a second embodiment of our design; FIG. 9 is a front view thereof; FIG. 10 is a rear view thereof; FIG. 11 is a left view thereof; FIG. 12 is a right view thereof; FIG. 13 is a top view thereof; and, FIG. 14 is a bottom view thereof. The broken lines shown in the figures show portions of the charger that form no part of the claimed design.

1 Claim, 14 Drawing Sheets



(58) **Field of Classification Search**

CPC H01R 25/00; H01R 25/006; H01R 13/00;
 H01R 13/04; H01R 13/10; H01R
 13/6666; H01R 13/6675; H01R 9/00;
 H01R 11/00; H01H 2207/00; H01H
 2207/022; H01H 2203/00; H02J 7/00;
 H02J 7/0003; H02J 7/0011; H02J 7/0013;
 H02J 7/0054; H02J 7/0055; H02J 7/0057;
 H01M 2/02; H01M 2/022; H01M 2/0202;
 H01M 2/0207; H01M 2/0212; H01M
 2220/10; H01M 2220/20; Y02E 60/12;
 Y02E 60/122; Y02E 60/124; Y02E 60/50;
 Y02T 90/14; Y02T 90/122; Y02T 90/128;
 Y02T 90/163

See application file for complete search history.

(56) **References Cited**

U.S. PATENT DOCUMENTS

D467,545 S * 12/2002 Wang D13/138.1
 D485,239 S * 1/2004 Whalin D13/137.4
 D520,457 S 5/2006 Wada et al.
 D520,459 S 5/2006 Kent et al.
 D558,769 S * 1/2008 Krieger D13/108
 D564,971 S 3/2008 Victor
 D599,800 S * 9/2009 Klein D14/433
 D602,436 S * 10/2009 Wu D13/147
 D604,251 S 11/2009 Hwang
 D604,253 S 11/2009 Andre et al.
 D613,249 S * 4/2010 Nagata D13/147
 D626,091 S 10/2010 Neitzel et al.
 D628,537 S * 12/2010 Nagata D13/147
 D673,110 S * 12/2012 Sasada D13/108
 D714,731 S * 10/2014 Lee D13/147

D725,034 S * 3/2015 Chen D13/108
 D737,760 S * 9/2015 Kyriakoulis D13/108
 D740,749 S * 10/2015 Stewart D13/108
 D755,790 S * 5/2016 Salvatori D14/433
 D776,620 S 1/2017 Yang
 D782,485 S * 3/2017 Cai D14/433
 D784,931 S 4/2017 Fries
 D793,344 S 8/2017 Wang
 D793,962 S 8/2017 Vandiver
 D795,816 S 8/2017 He et al.
 D796,435 S * 9/2017 Cho D13/108
 D797,680 S 9/2017 Kalis et al.
 D798,807 S * 10/2017 Shi D13/108
 D801,282 S 10/2017 Hsieh
 D810,748 S 2/2018 Zhang
 D810,749 S 2/2018 Zhang
 D820,786 S * 6/2018 Fawcett D13/133
 D823,260 S 7/2018 Petersen
 D824,855 S * 8/2018 Eshelman D13/137.2
 D831,656 S 10/2018 Jhun et al.
 D832,793 S 11/2018 Vandiver
 D841,008 S 2/2019 Yu
 D842,803 S 3/2019 Nishizawa
 D850,372 S * 6/2019 Kong D13/108
 D851,047 S 6/2019 Zhang
 D851,089 S 6/2019 Sweet et al.
 D851,090 S * 6/2019 Tak D14/433
 D854,016 S 7/2019 Laine et al.
 D854,017 S 7/2019 Claudepierre et al.

OTHER PUBLICATIONS

Notice of Allowance for U.S. Appl. No. 29/650,411 dated Sep. 19, 2019.

Notice of Allowance for U.S. Appl. No. 29/658,773 dated Oct. 3, 2019.

* cited by examiner

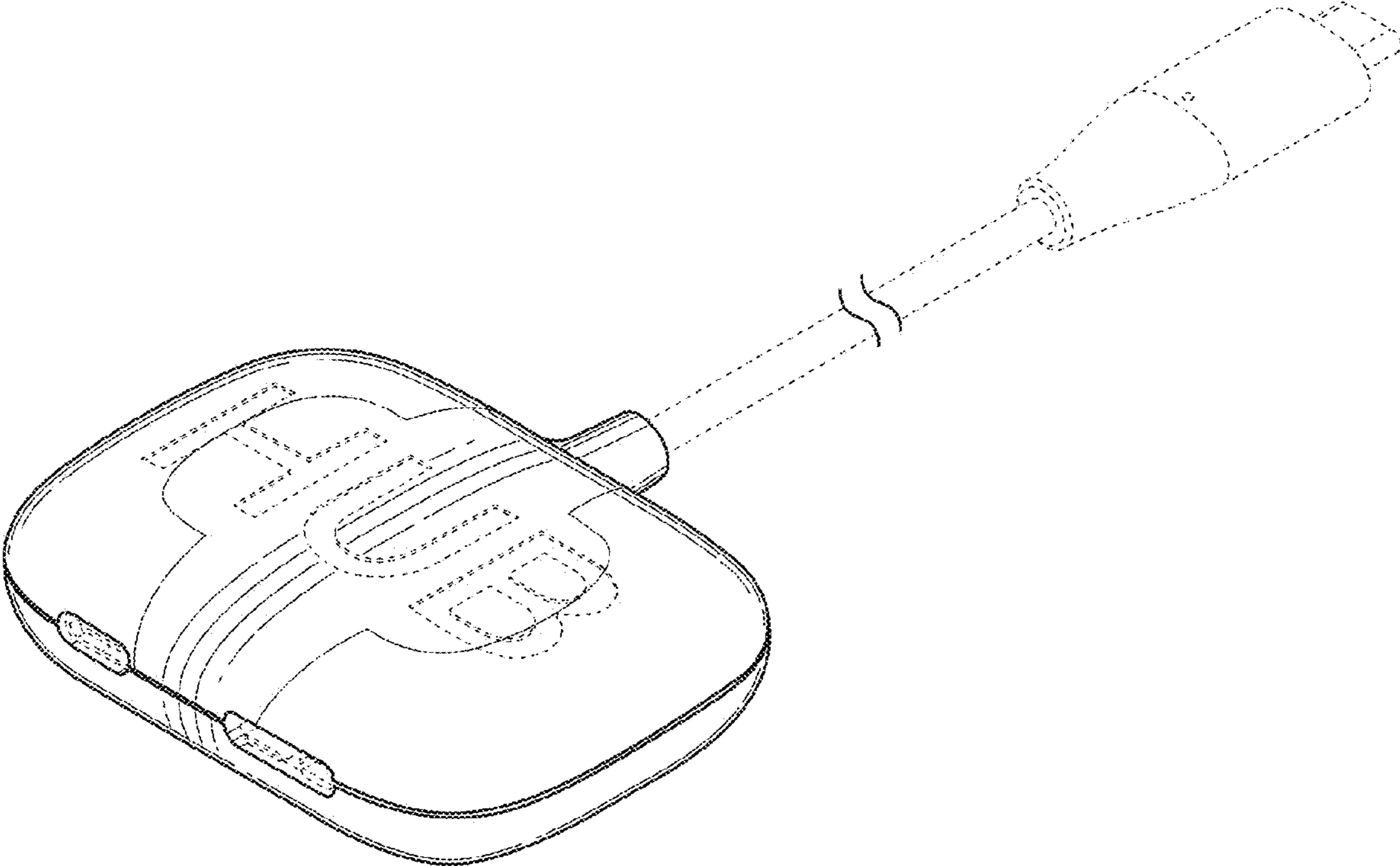


FIG. 1

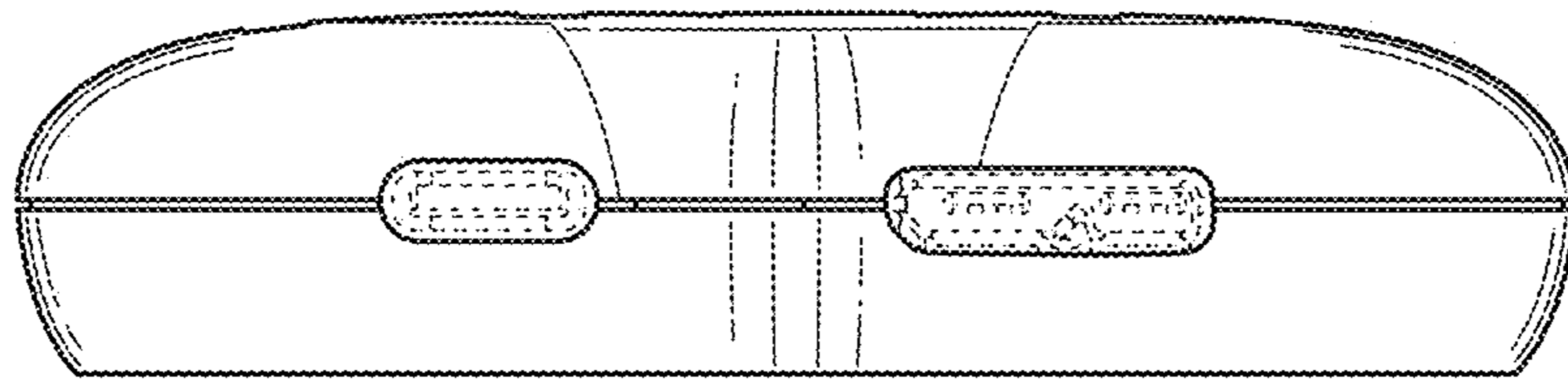


FIG. 2

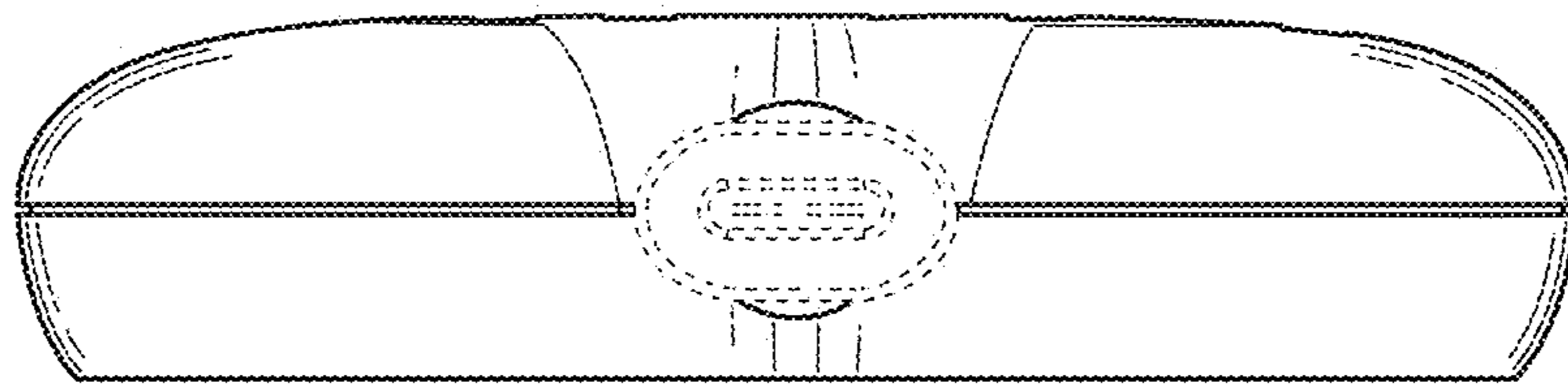


FIG. 3

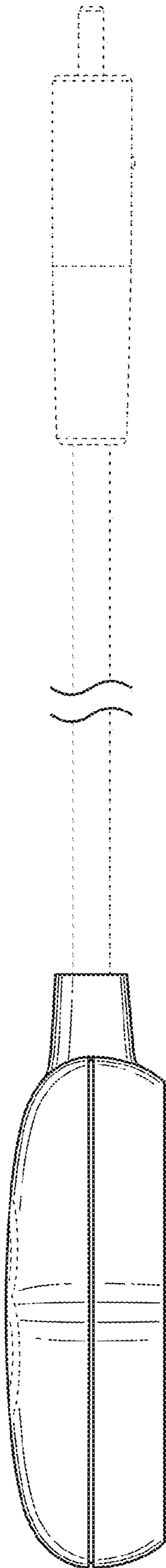


FIG. 4

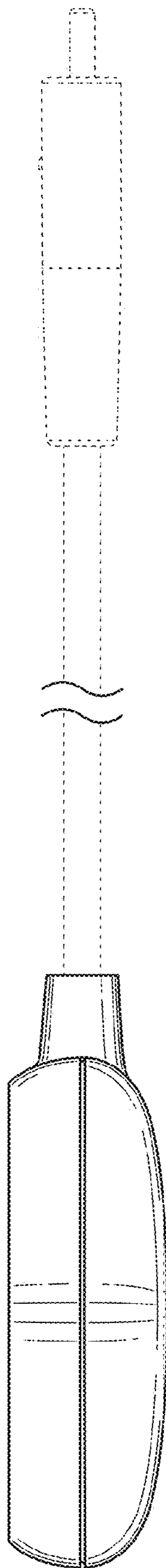


FIG. 5

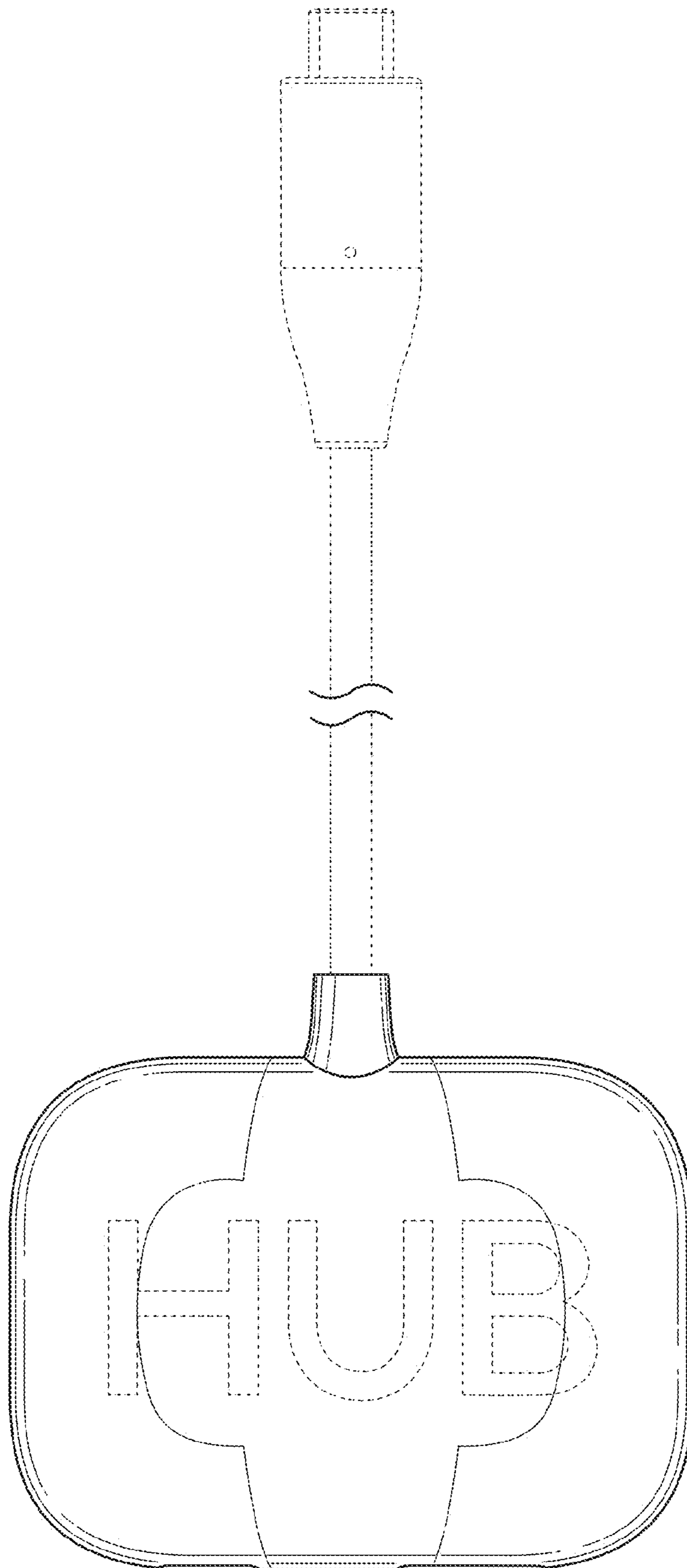


FIG. 6

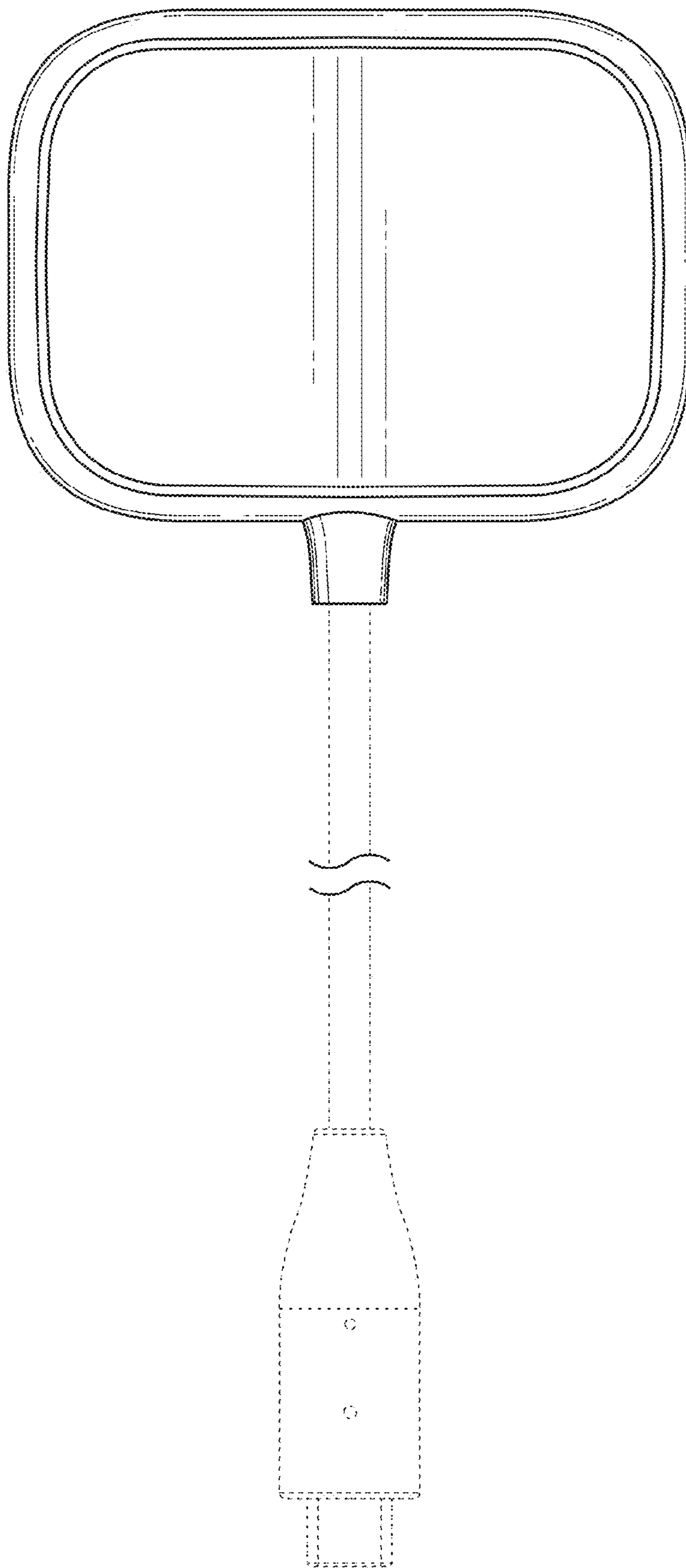


FIG. 7

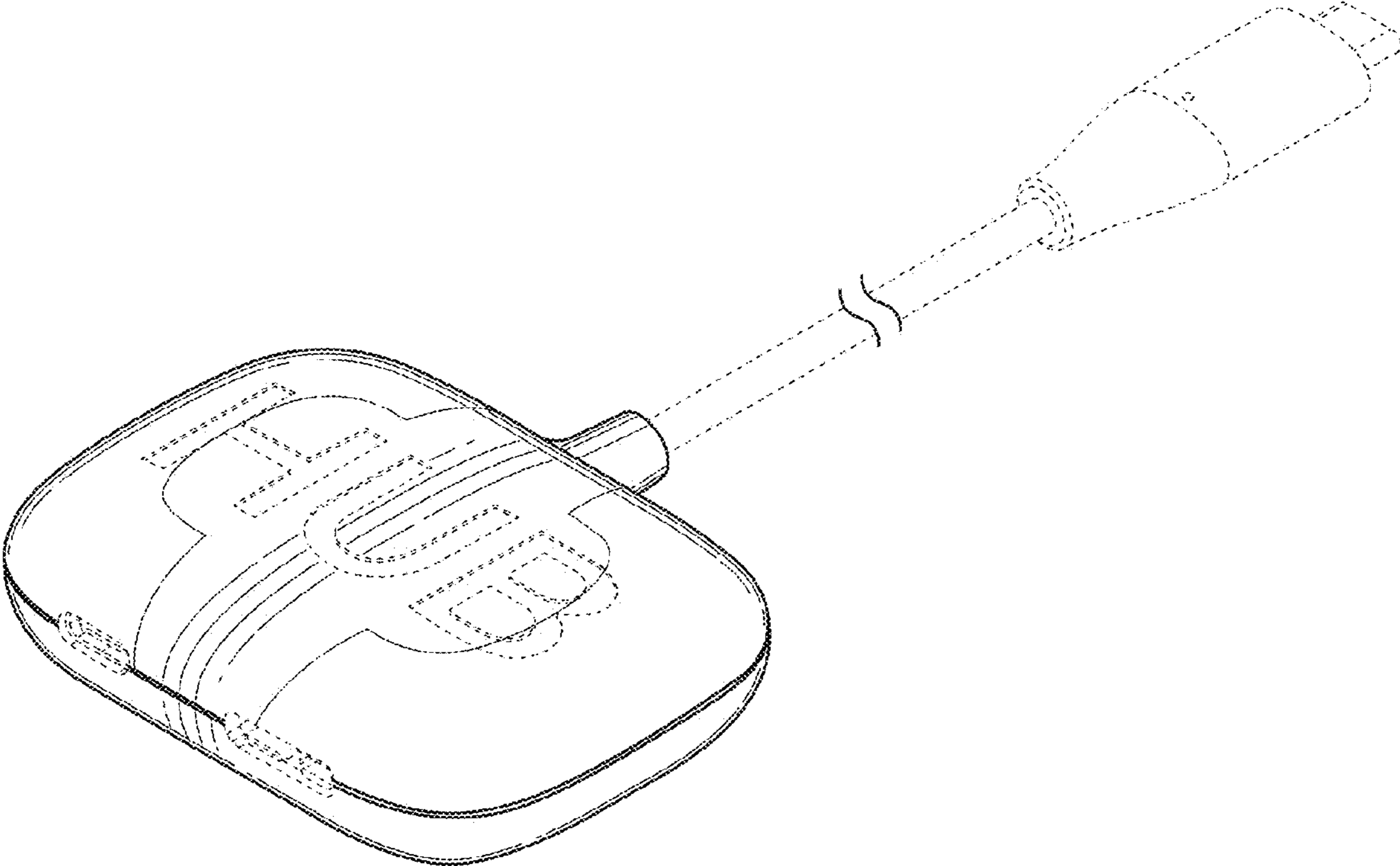


FIG. 8

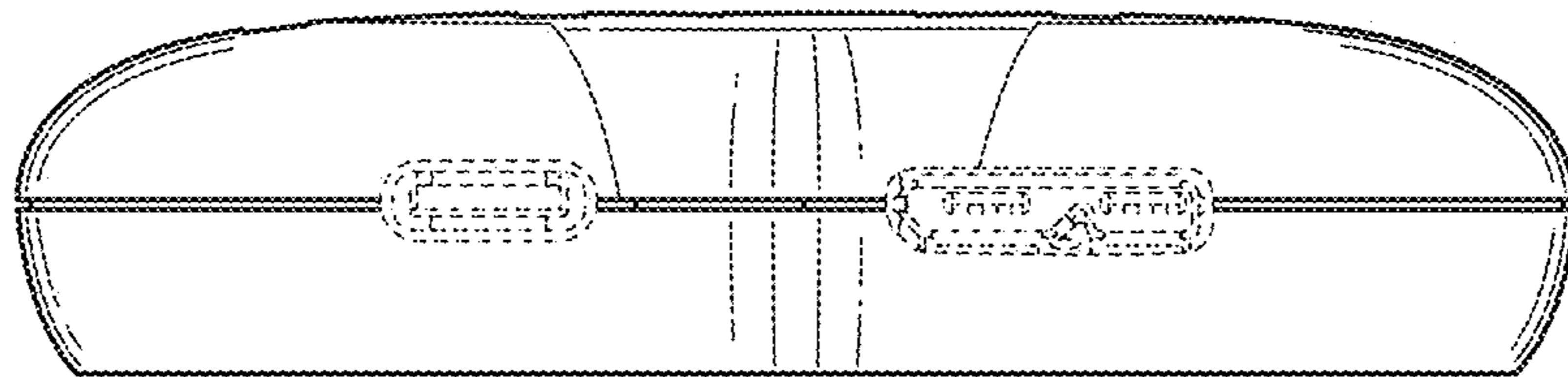


FIG. 9

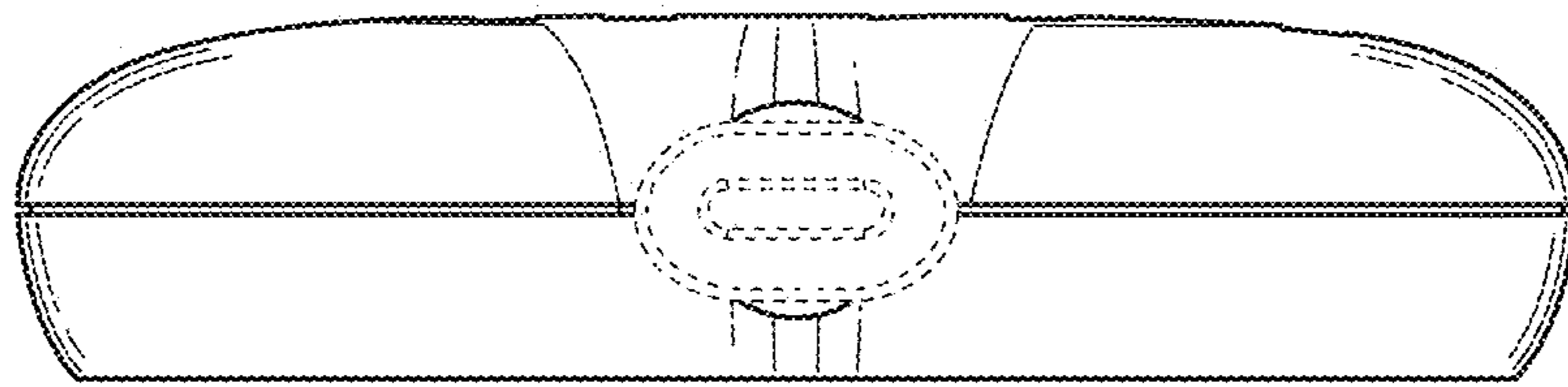


FIG. 10

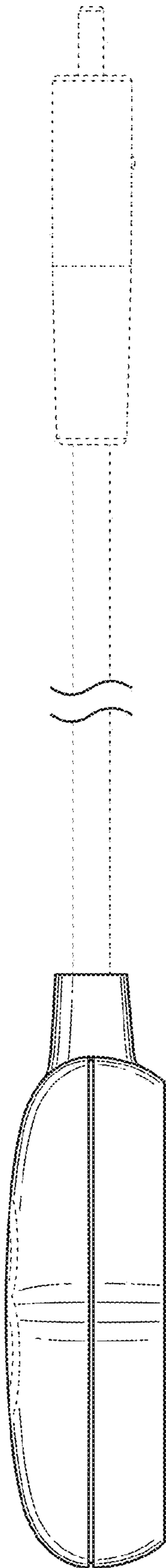


FIG. 11

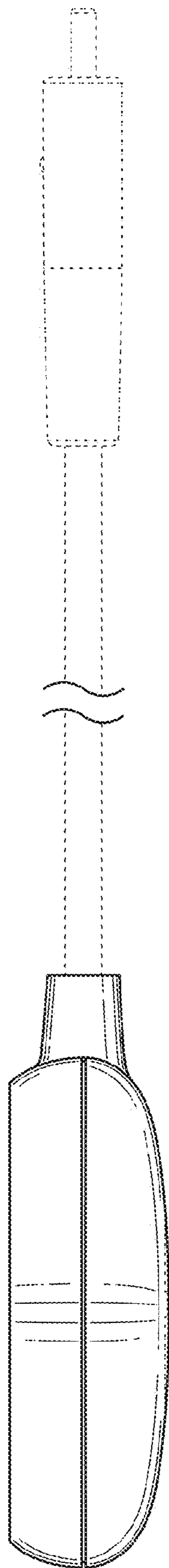


FIG. 12

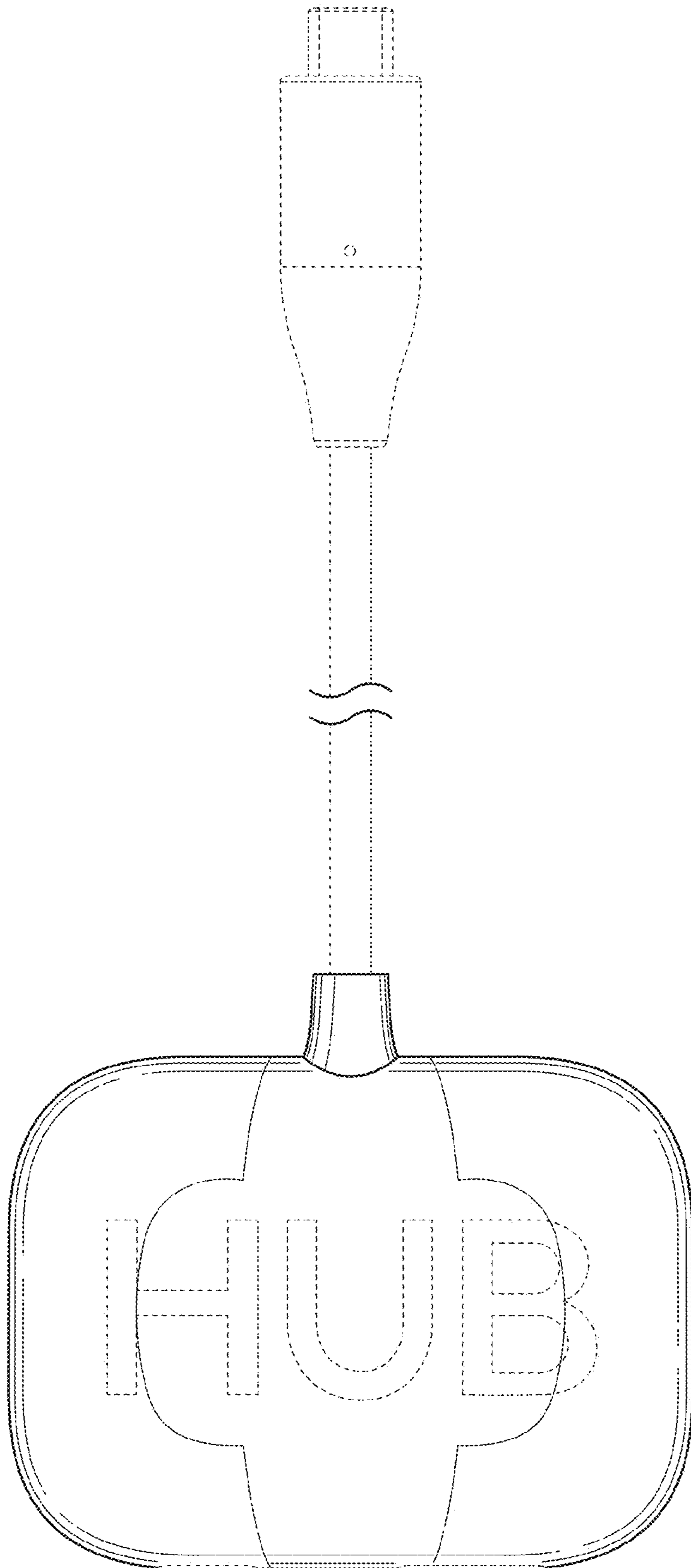


FIG. 13

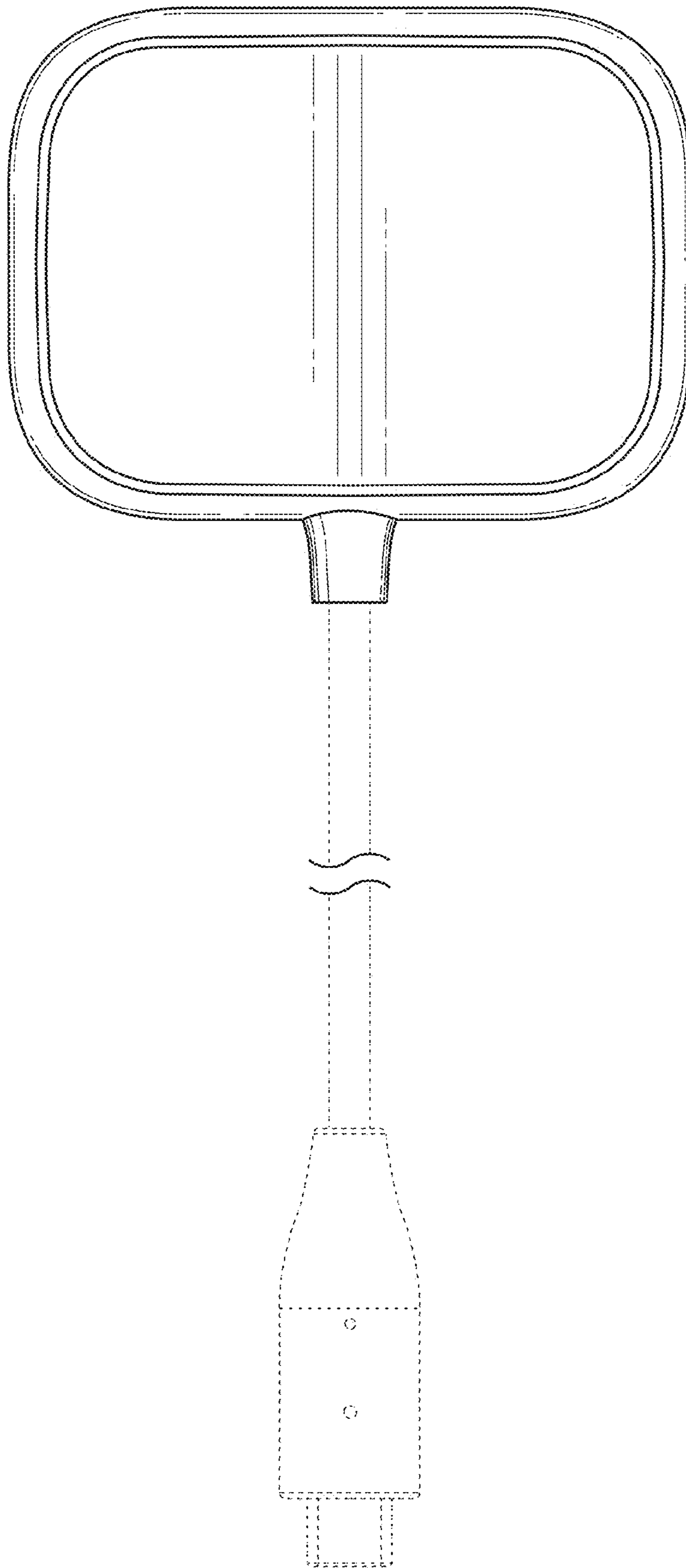


FIG. 14