



US00D875670S

(12) **United States Design Patent** (10) **Patent No.:** **US D875,670 S**  
**Natsume et al.** (45) **Date of Patent:** **\*\* Feb. 18, 2020**

(54) **CHARGER**

(71) Applicant: **MAGIC LEAP, INC.**, Plantation, FL (US)  
 (72) Inventors: **Shigeru Natsume**, Weston, FL (US); **Bradley Fraser**, Miami Beach, FL (US); **Haney Awad**, Fort Lauderdale, FL (US); **William Wheeler**, Fort Lauderdale, FL (US); **Sebastian Gonzalo Arrieta Gunther**, Fort Lauderdale, FL (US); **Masamune Kaji**, Plantation, FL (US)

(73) Assignee: **Magic Leap, Inc.**, Plantation, FL (US)

(\*\*) Term: **15 Years**

(21) Appl. No.: **29/650,411**

(22) Filed: **Jun. 6, 2018**

(51) **LOC (12) Cl.** ..... **13-02**

(52) **U.S. Cl.**  
USPC ..... **D13/108**

(58) **Field of Classification Search**  
 USPC ..... D13/103, 107, 108, 110, 118, 119, 123, D13/133, 137.1-137.4, 138.1-138.2, D13/139.1-139.8, 152-154, 184, 199  
 CPC ..... H01R 25/00; H01R 25/006; H01R 13/00; H01R 13/04; H01R 13/10; H01R 13/6666; H01R 13/6675; H01R 9/00; H01R 11/00; H01H 2207/00; H01H 2207/022; H01H 2203/00; H02J 7/00; H02J 7/0003; H02J 7/0011; H02J 7/0013; H02J 7/0054; H02J 7/0055; H02J 7/0057; H01M 2/02; H01M 2/022; H01M 2/0202; H01M 2/0207; H01M 2/0212; H01M 2220/10; H01M 2220/20; Y02E 60/12; Y02E 60/122; Y02E 60/124; Y02E 60/50; Y02T 90/14; Y02T 90/122; Y02T 90/128; Y02T 90/163

See application file for complete search history.

(56) **References Cited**

U.S. PATENT DOCUMENTS

D416,233 S \* 11/1999 Tsai ..... D13/147  
 D456,509 S \* 4/2002 Schultz ..... D13/153  
 D467,545 S \* 12/2002 Wang ..... D13/138.1

(Continued)

OTHER PUBLICATIONS

Notice of Allowance for Chinese Appln. No. 201830676948.8 dated Mar. 4, 2019 (1 page).

(Continued)

*Primary Examiner* — Rosemary K Tarcza

*Assistant Examiner* — Christy M Nemeth

(74) *Attorney, Agent, or Firm* — Vista IP Law Group LLP

(57) **CLAIM**

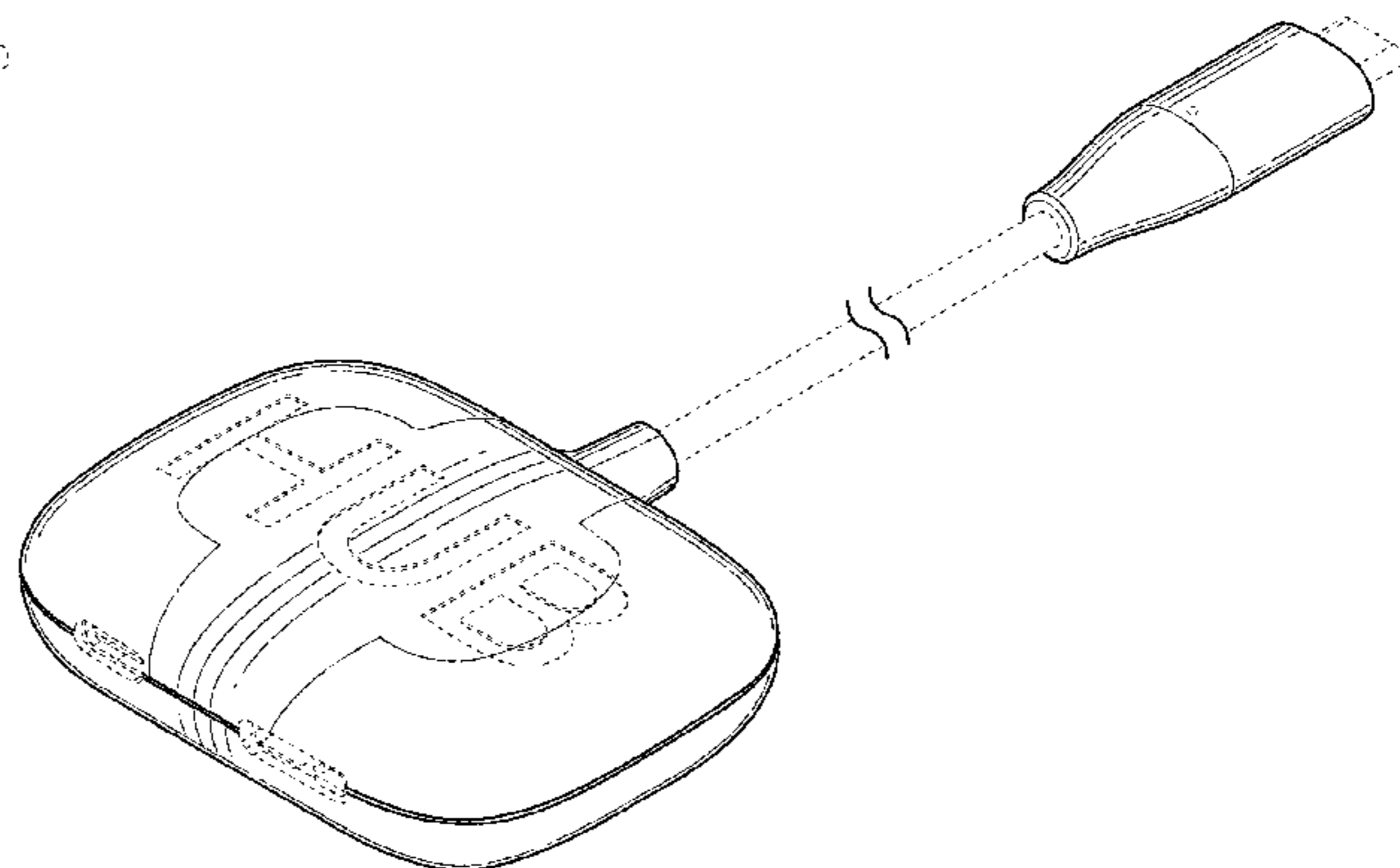
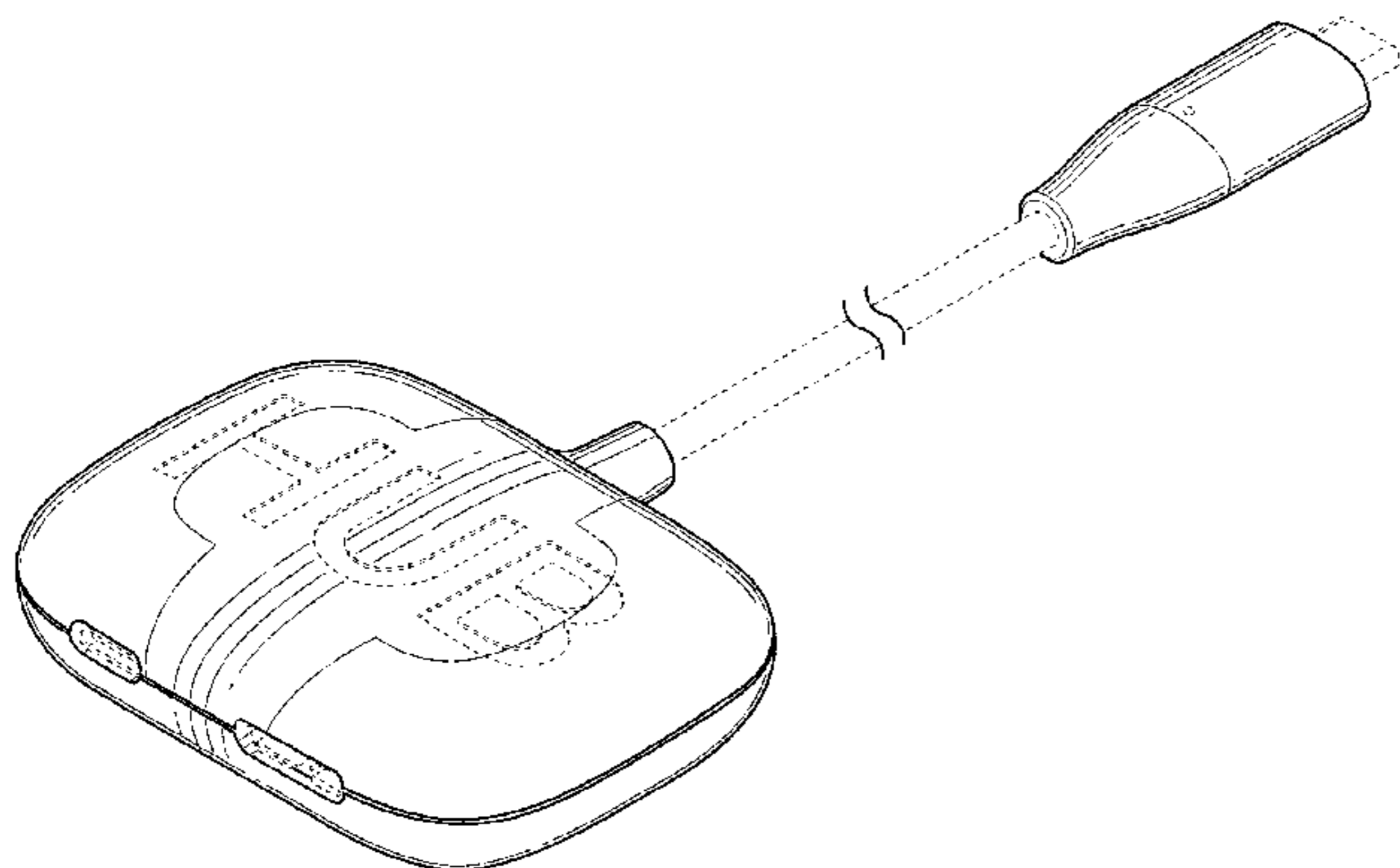
We claim the ornamental design for a charger, as shown and described.

**DESCRIPTION**

FIG. 1 is a front perspective view of a charger showing a first embodiment of our design;  
 FIG. 2 is a front view thereof;  
 FIG. 3 is a rear view thereof;  
 FIG. 4 is a left view thereof;  
 FIG. 5 is a right view thereof;  
 FIG. 6 is a top view thereof;  
 FIG. 7 is a bottom view thereof;  
 FIG. 8 is a front perspective view of a charger showing a second embodiment of our design;  
 FIG. 9 is a front view thereof;  
 FIG. 10 is a rear view thereof;  
 FIG. 11 is a left view thereof;  
 FIG. 12 is a right view thereof;  
 FIG. 13 is a top view thereof; and,  
 FIG. 14 is a bottom view thereof.

The broken lines shown in the figures show portions of the charger that form no part of the claimed design.

**1 Claim, 14 Drawing Sheets**



(56)

References Cited

U.S. PATENT DOCUMENTS

D485,239 S \* 1/2004 Whalin ..... D13/137.4  
 D520,457 S 5/2006 Wada et al.  
 D520,459 S 5/2006 Kent et al.  
 D558,769 S \* 1/2008 Krieger ..... D13/108  
 D564,971 S 3/2008 Victor  
 D599,800 S \* 9/2009 Klein ..... D14/433  
 D602,436 S \* 10/2009 Wu ..... D13/147  
 D604,251 S 11/2009 Hwang  
 D604,253 S 11/2009 Andre et al.  
 D613,249 S \* 4/2010 Nagata ..... D13/147  
 D626,091 S 10/2010 Neitzel et al.  
 D628,537 S \* 12/2010 Nagata ..... D13/147  
 D673,110 S \* 12/2012 Sasada ..... D13/108  
 D714,731 S \* 10/2014 Lee ..... D13/147  
 D725,034 S \* 3/2015 Chen ..... D13/108  
 D737,760 S \* 9/2015 Kyriakoulis ..... D13/108  
 D740,749 S \* 10/2015 Stewart ..... D13/108  
 D755,790 S \* 5/2016 Salvatori ..... D14/433  
 D776,620 S 1/2017 Yang  
 D782,485 S \* 3/2017 Cai ..... D14/433  
 D784,931 S 4/2017 Fries  
 D793,344 S 8/2017 Wang  
 D793,962 S 8/2017 Vandiver  
 D795,816 S 8/2017 He et al.  
 D796,435 S \* 9/2017 Cho ..... D13/108

D797,680 S 9/2017 Kalis et al.  
 D798,807 S \* 10/2017 Shi ..... D13/108  
 D801,282 S 10/2017 Hsieh  
 D810,748 S 2/2018 Zhang  
 D810,749 S 2/2018 Zhang  
 D820,786 S \* 6/2018 Fawcett ..... D13/133  
 D823,260 S 7/2018 Petersen  
 D824,855 S \* 8/2018 Eshelman ..... D13/137.2  
 D831,656 S 10/2018 Jhun et al.  
 D832,793 S 11/2018 Vandiver  
 D841,008 S 2/2019 Yu  
 D842,803 S 3/2019 Nishizawa  
 D850,372 S \* 6/2019 Kong ..... D13/108  
 D851,047 S 6/2019 Zhang  
 D851,089 S 6/2019 Sweet et al.  
 D851,090 S \* 6/2019 Tak ..... D14/433  
 D854,016 S 7/2019 Laine et al.  
 D854,017 S 7/2019 Claudepierre et al.

OTHER PUBLICATIONS

Notice of Allowance for U.S. Appl. No. 29/658,767 dated Sep. 19, 2019.

Notice of Allowance for U.S. Appl. No. 29/658,773 dated Oct. 3, 2019.

\* cited by examiner

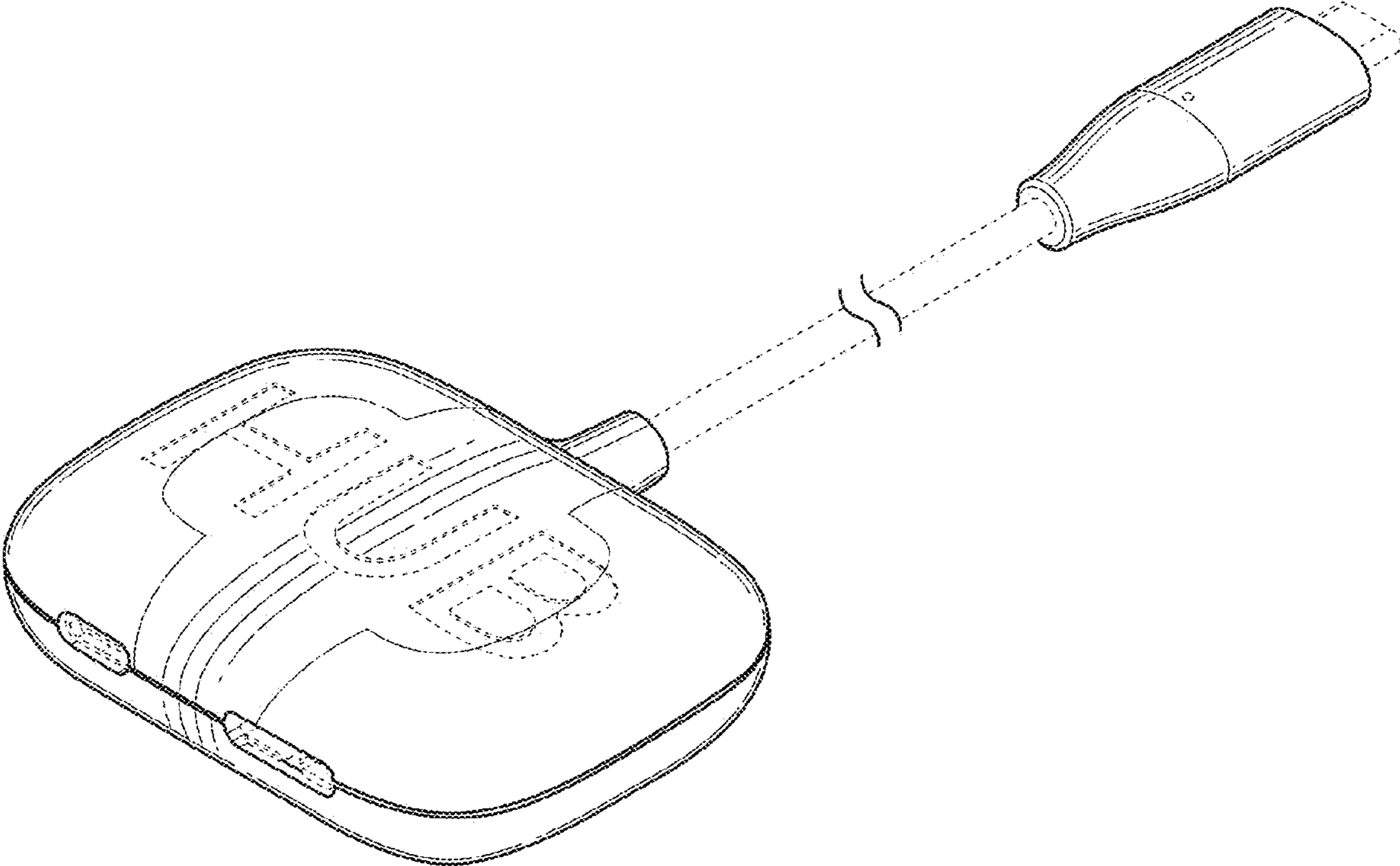


FIG. 1

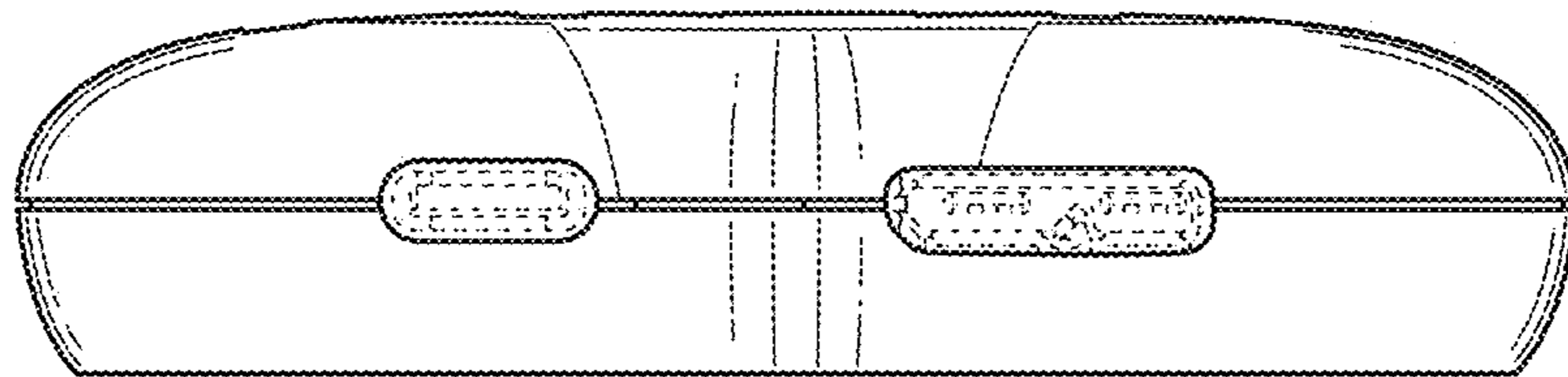


FIG. 2

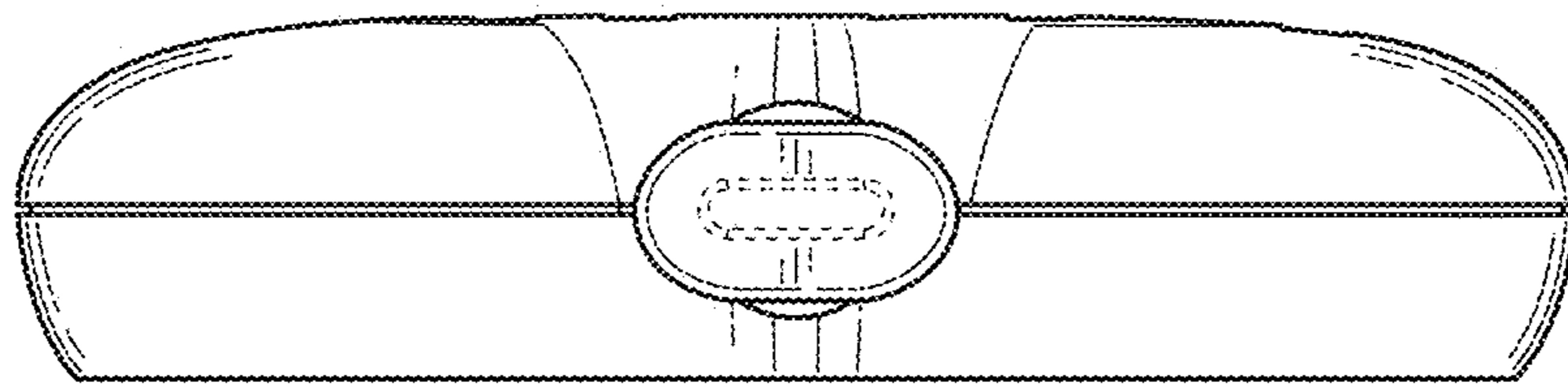


FIG. 3

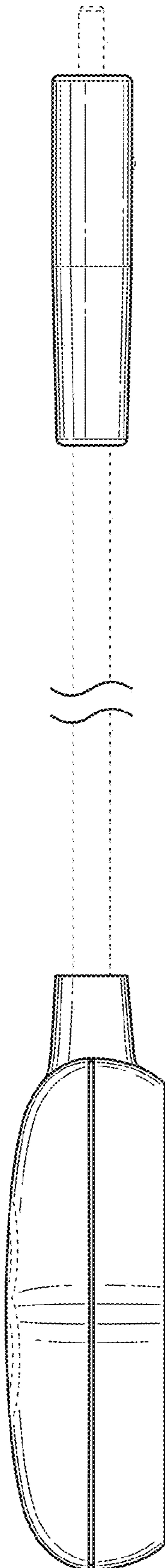


FIG. 4

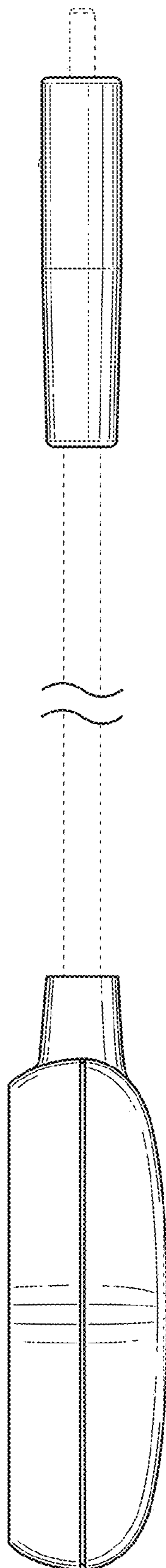


FIG. 5

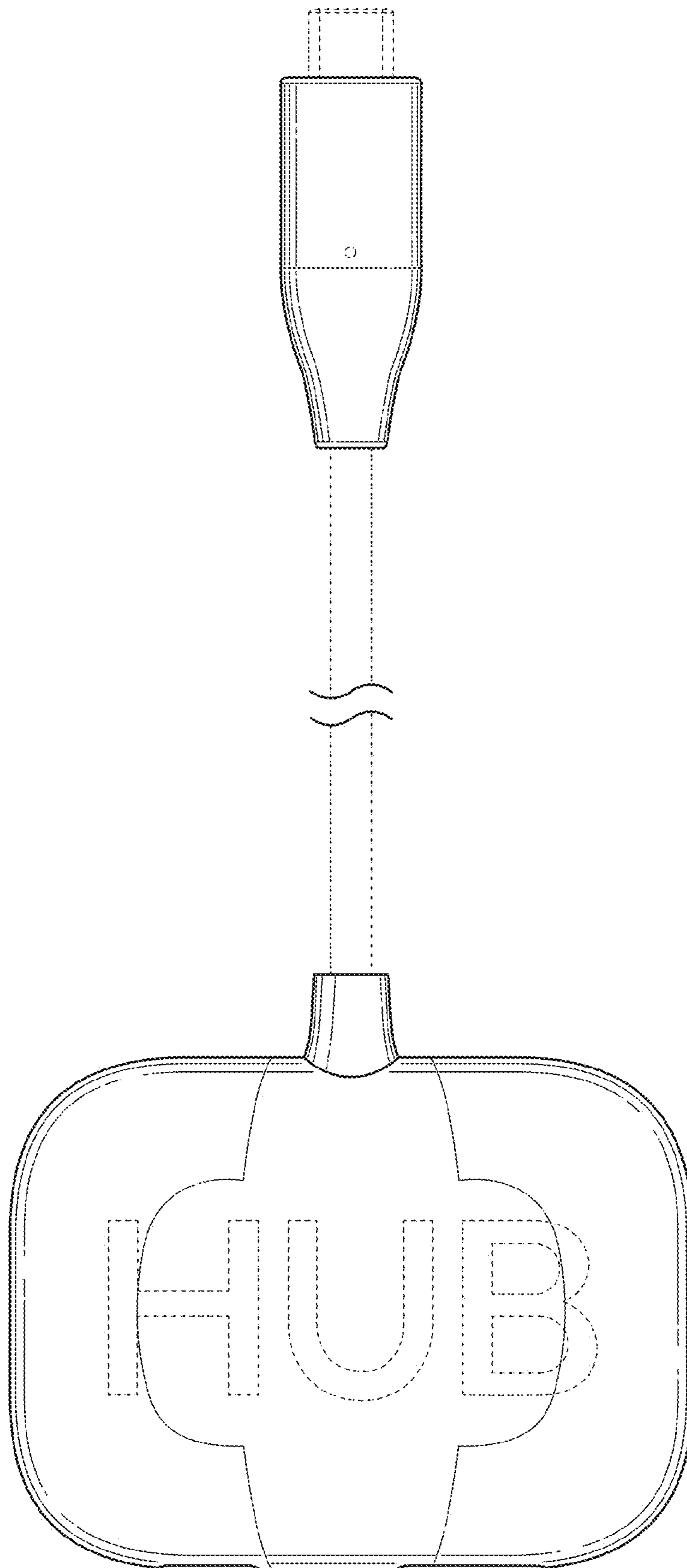


FIG. 6



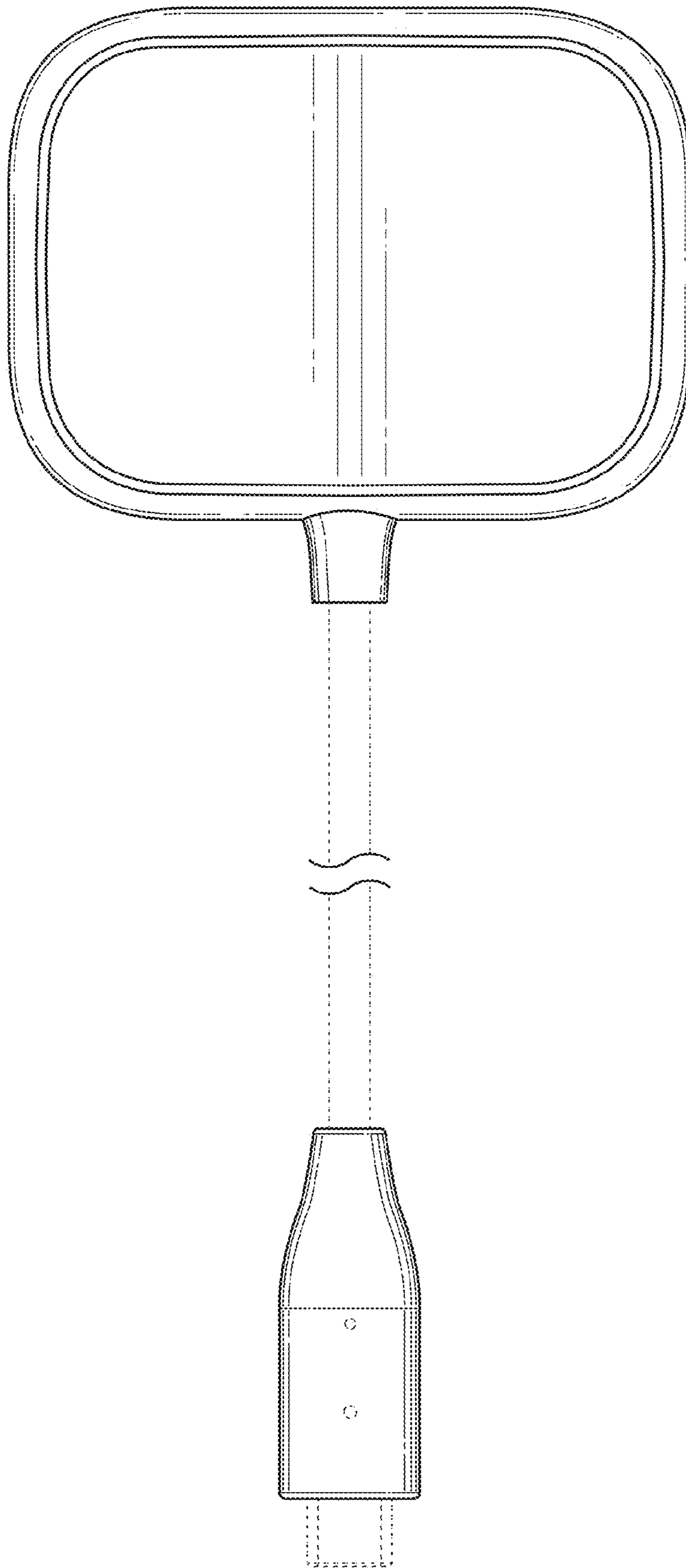


FIG. 7

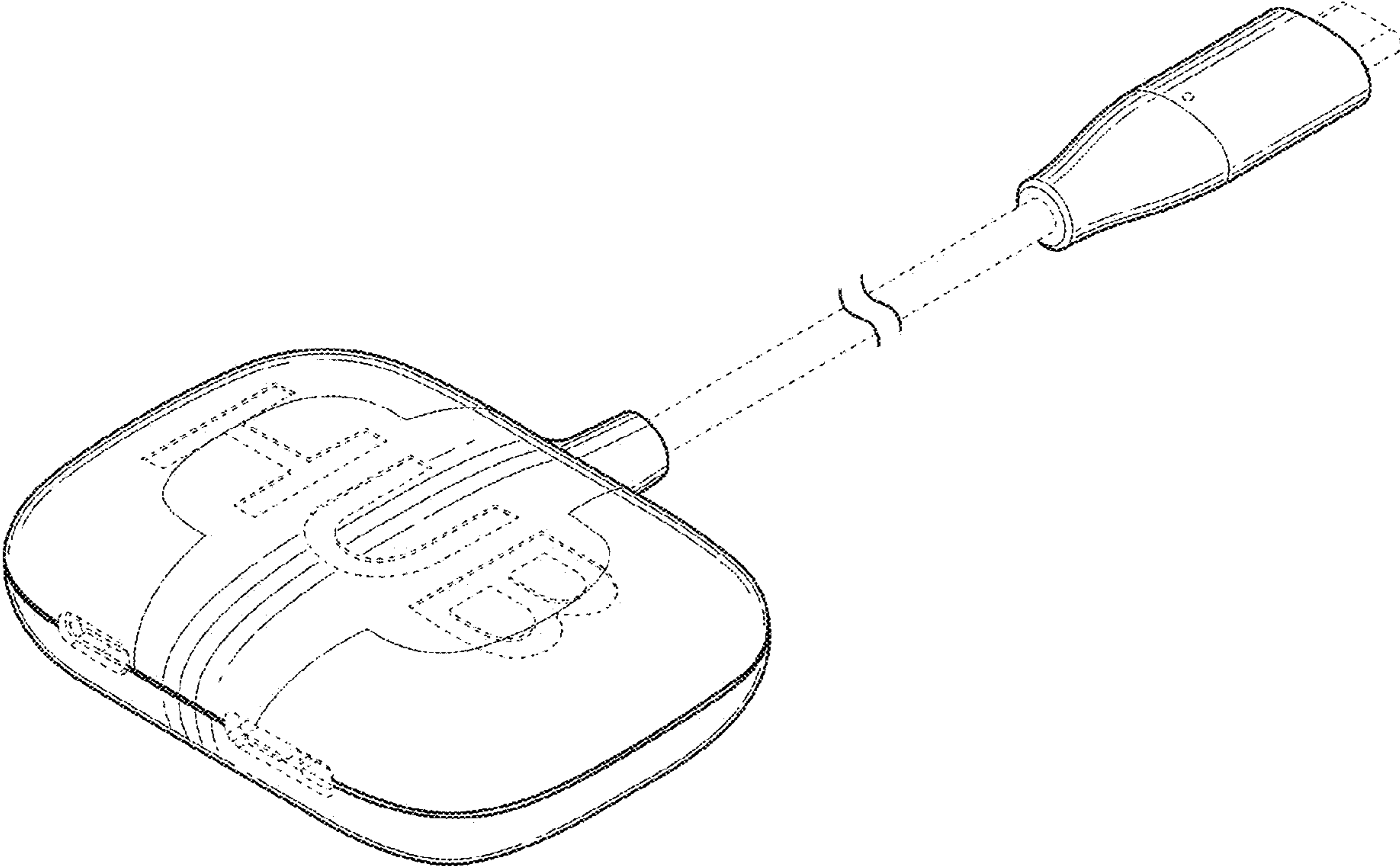


FIG. 8

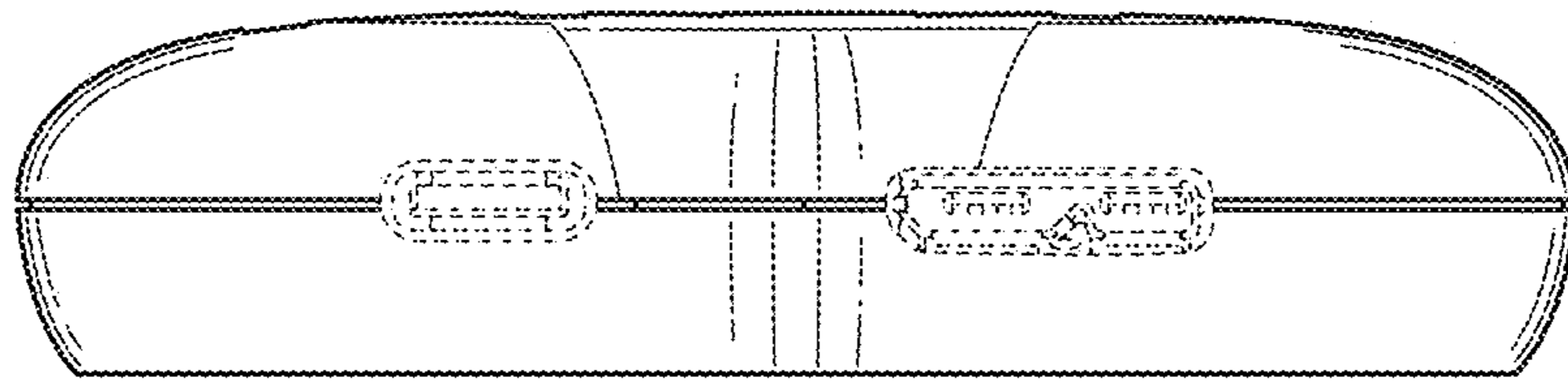


FIG. 9

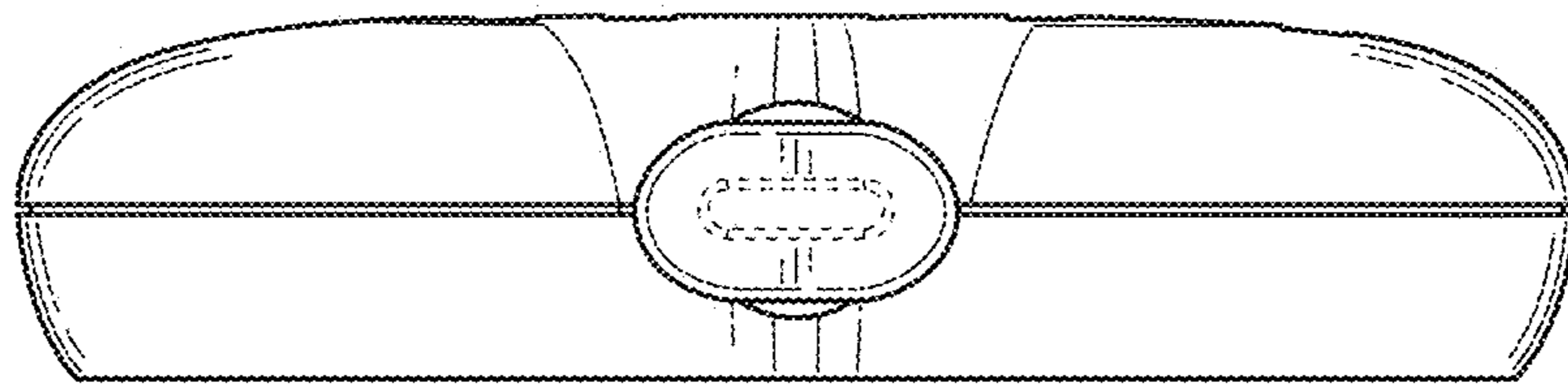


FIG. 10

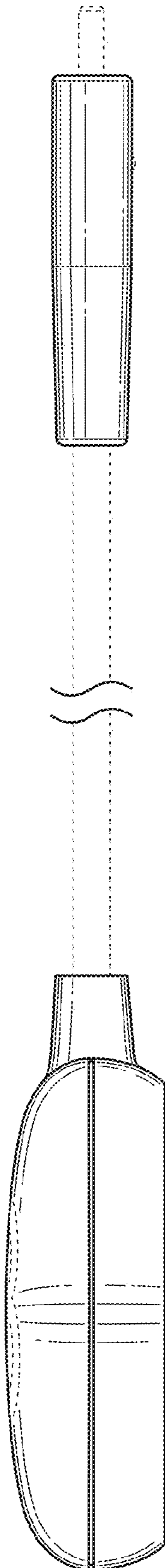


FIG. 11

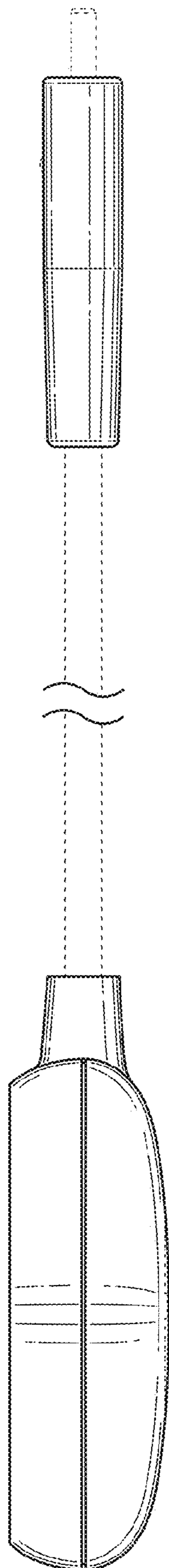


FIG. 12

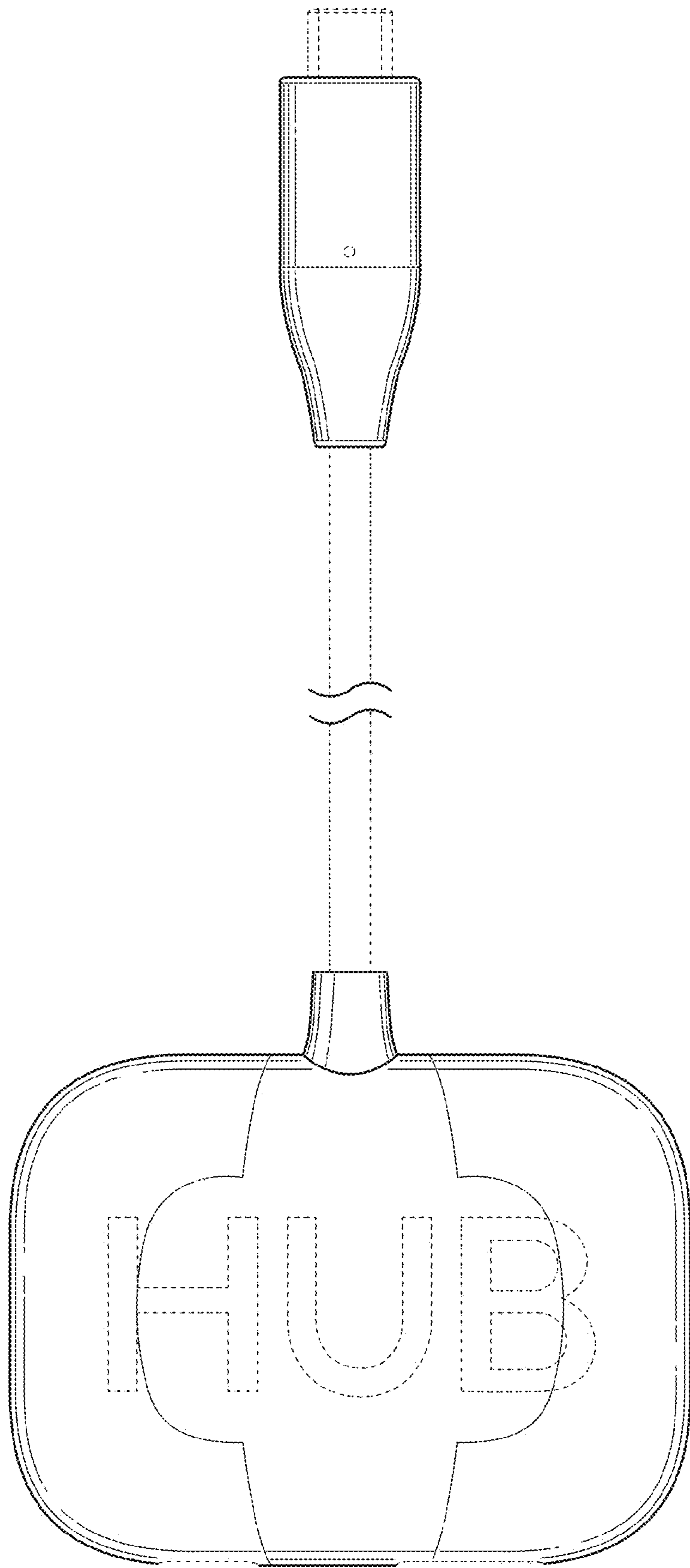


FIG. 13

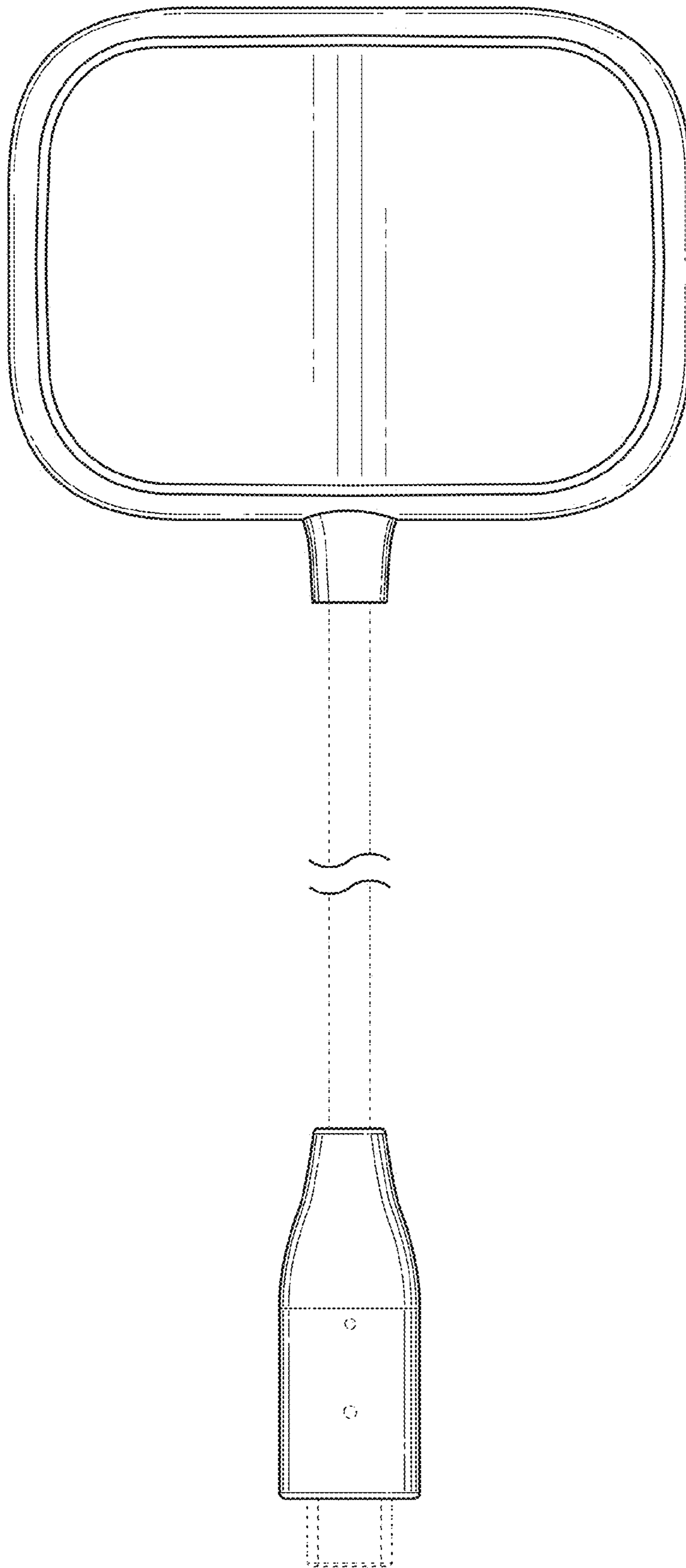


FIG. 14