



US00D875669S

(12) **United States Design Patent**
Miller et al.

(10) **Patent No.:** **US D875,669 S**

(45) **Date of Patent:** **** Feb. 18, 2020**

(54) **PORTABLE POWER CHARGER**

(71) Applicant: **Halo International Sezc Ltd.**,
Georgetown, Grand Cayman (KY)

(72) Inventors: **Garold C. Miller**, Hartford, CT (US);
Nathan Daniel Weinstein, Hartford,
CT (US)

(73) Assignee: **Halo International SEZC Ltd.**,
Georgetown (KY)

(**) Term: **15 Years**

(21) Appl. No.: **29/603,471**

(22) Filed: **May 10, 2017**

Related U.S. Application Data

(63) Continuation of application No. 15/488,871, filed on
Apr. 17, 2017.

(51) **LOC (12) Cl.** **13-02**

(52) **U.S. Cl.**
USPC **D13/108**

(58) **Field of Classification Search**

USPC D13/103, 107-108, 118-119, 184, 199;
D14/251, 253, 432, 434
CPC H02J 7/00; H02J 7/0003; H02J 7/0011;
H02J 7/0013; H02J 7/0054; H02J 7/0055;
H02J 7/0057; H02J 2007/0062; Y02T
90/122; H01M 10/46; H01M 10/44;
H01M 10/425; H01M 10/1055; H01M
10/1022; B60L 11/182

See application file for complete search history.

(56) **References Cited**

U.S. PATENT DOCUMENTS

D296,440 S 6/1988 Smith et al.
D519,922 S * 5/2006 Andre D13/110
D537,036 S 2/2007 Chen

D565,571 S * 4/2008 Trifilio D14/356
D587,267 S 2/2009 Wang
D662,050 S * 6/2012 Tien D13/108
D662,878 S 7/2012 Fahrendorff et al.
D667,788 S * 9/2012 Mai D13/110
D672,309 S 12/2012 Tien
D674,748 S 1/2013 Ferber et al.
D677,261 S 3/2013 Hsu et al.
D686,153 S 7/2013 Qu

(Continued)

Primary Examiner — Rosemary K Tarcza

(57) **CLAIM**

The ornamental design for a portable power charger, sub-
stantially as shown and described.

DESCRIPTION

FIG. 1 is a front, top perspective view of a portable power
charger comprising an embodiment of a new, original and
ornamental design;

FIG. 2 is another front, top perspective view thereof, shown
in an alternate configuration of use with a pivotable portion
of the portable power charger moved;

FIG. 3 is a top view thereof;

FIG. 4 is a bottom view thereof;

FIG. 5 is a front-end view thereof;

FIG. 6 is a rear-end view thereof;

FIG. 7 is a left-hand side view thereof;

FIG. 8 is a right-hand side view thereof;

FIG. 9 is a bottom view of a portable power charger
comprising another embodiment of a new, original and
ornamental design, where the top view is the same as shown
in FIG. 3;

FIG. 10 is a front-end view thereof;

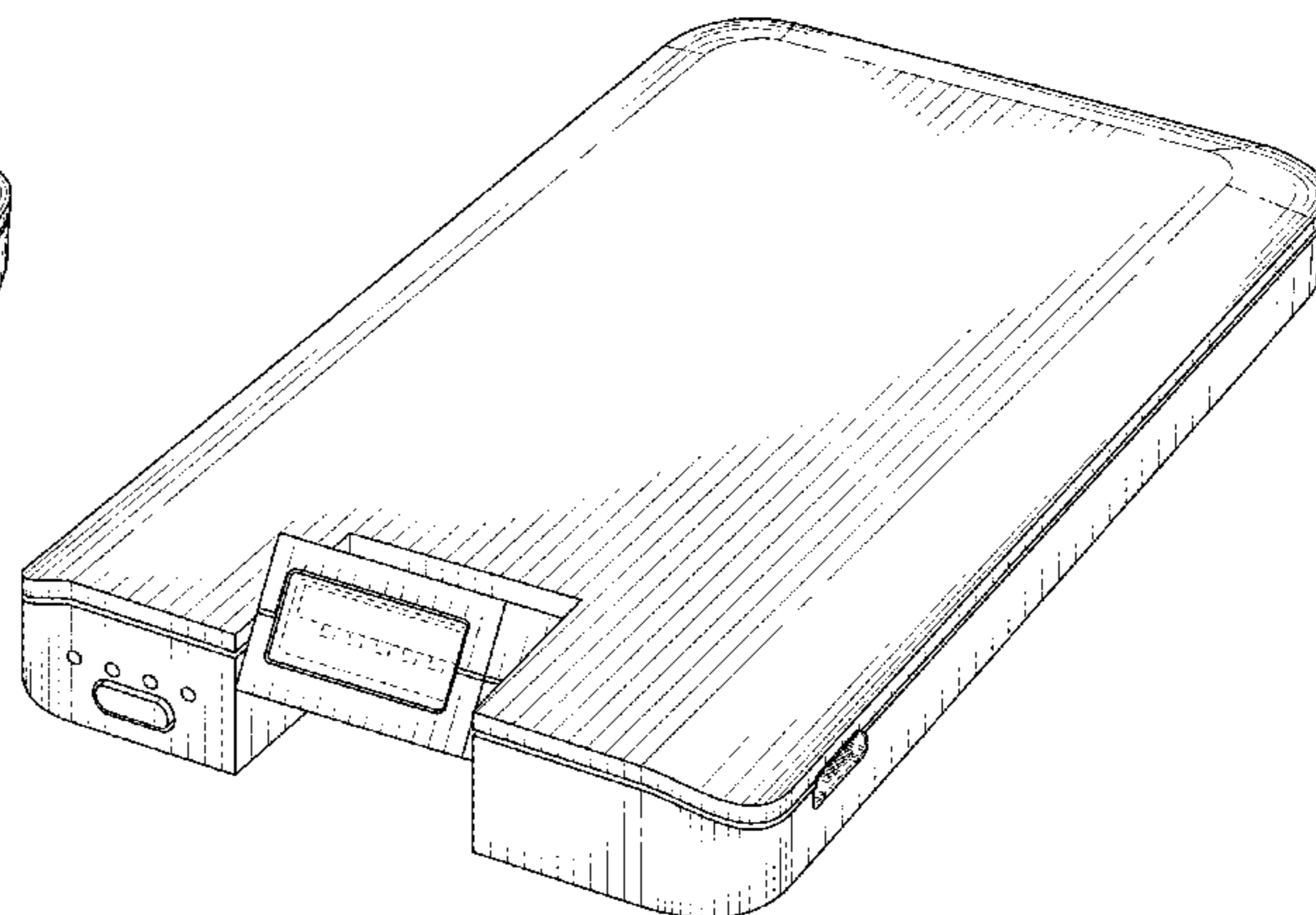
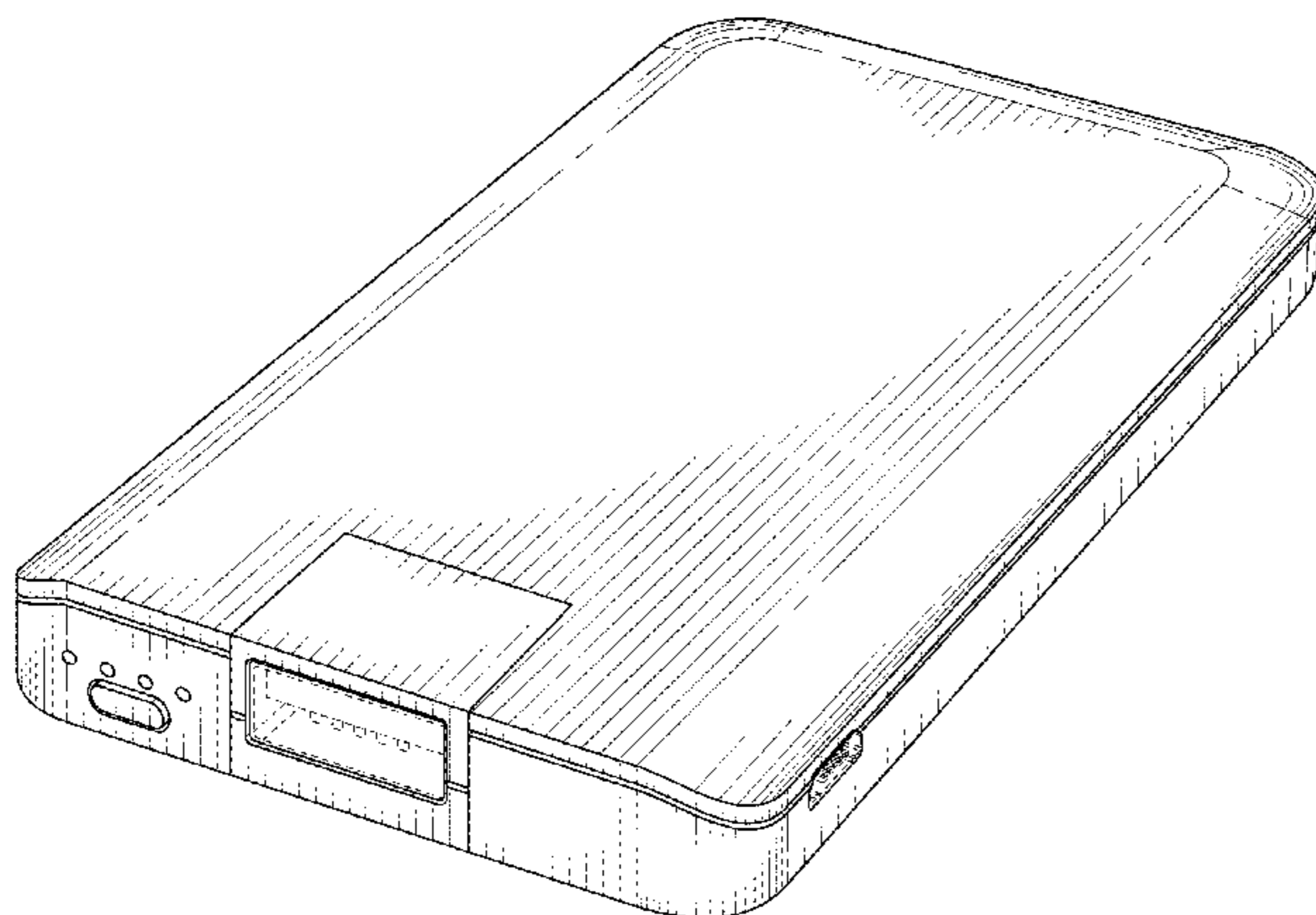
FIG. 11 is a rear-end view thereof;

FIG. 12 is a left-hand side view thereof; and,

FIG. 13 is a right-hand side view thereof.

The broken lines shown in the drawings are for the purpose
of illustrating portions of the portable power charger that
form no part of the claimed design.

1 Claim, 9 Drawing Sheets



(56)

References Cited

U.S. PATENT DOCUMENTS

D692,375 S 10/2013 Mamane
 D692,826 S 11/2013 Aida et al.
 D695,214 S 12/2013 Roberts et al.
 D700,139 S 2/2014 Chan et al.
 D704,626 S 5/2014 Li
 D705,782 S 5/2014 McParland et al.
 D709,026 S 7/2014 Lee et al.
 D712,351 S * 9/2014 Zeng D13/103
 D713,785 S 9/2014 Tehrani
 D722,603 S 2/2015 Lay et al.
 D730,280 S * 5/2015 Koebler D13/107
 D733,043 S * 6/2015 Hasbrook D13/103
 D742,310 S * 11/2015 Yen D13/108
 D749,596 S 2/2016 Khodapanah et al.
 D762,169 S * 7/2016 Lei D13/108
 D762,170 S * 7/2016 Lei D13/108
 D763,790 S * 8/2016 Lei D13/108
 D765,070 S 8/2016 Franklin
 D769,188 S * 10/2016 Miller D13/107

D776,050 S * 1/2017 Awad D13/102
 D782,974 S * 4/2017 Ju D13/108
 D786,790 S * 5/2017 Miller D13/108
 D786,882 S 5/2017 Cho
 D787,443 S * 5/2017 Chiang D13/110
 D789,358 S 6/2017 Yang et al.
 D791,070 S * 7/2017 Son D13/103
 D791,697 S 7/2017 Precheur
 D792,415 S 7/2017 Tsai
 D792,416 S 7/2017 Tsai
 D797,044 S * 9/2017 Miller D13/108
 D804,411 S 12/2017 Lentine
 D804,413 S 12/2017 McSweyn et al.
 D812,000 S * 3/2018 Li D13/108
 D814,405 S * 4/2018 Hahn D13/107
 D822,598 S 7/2018 Warren
 D824,328 S * 7/2018 Liu D13/108
 D825,548 S 8/2018 Lebovitz
 D826,854 S * 8/2018 Roberts D13/108
 D844,560 S * 4/2019 Miller D13/108
 2013/0150134 A1 6/2013 Pliner et al.
 2016/0111692 A1 4/2016 Morita et al.

* cited by examiner

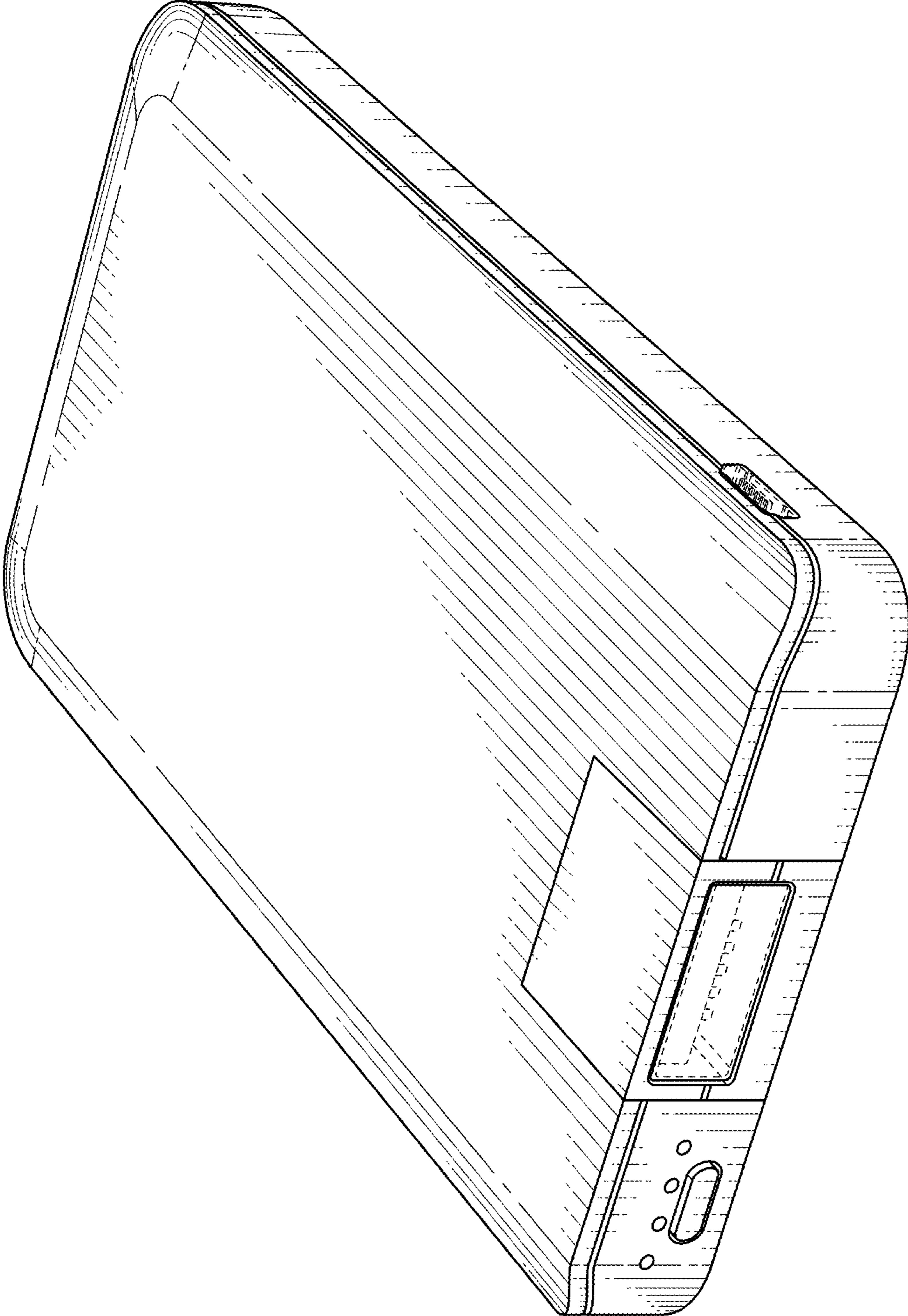


FIG. 1

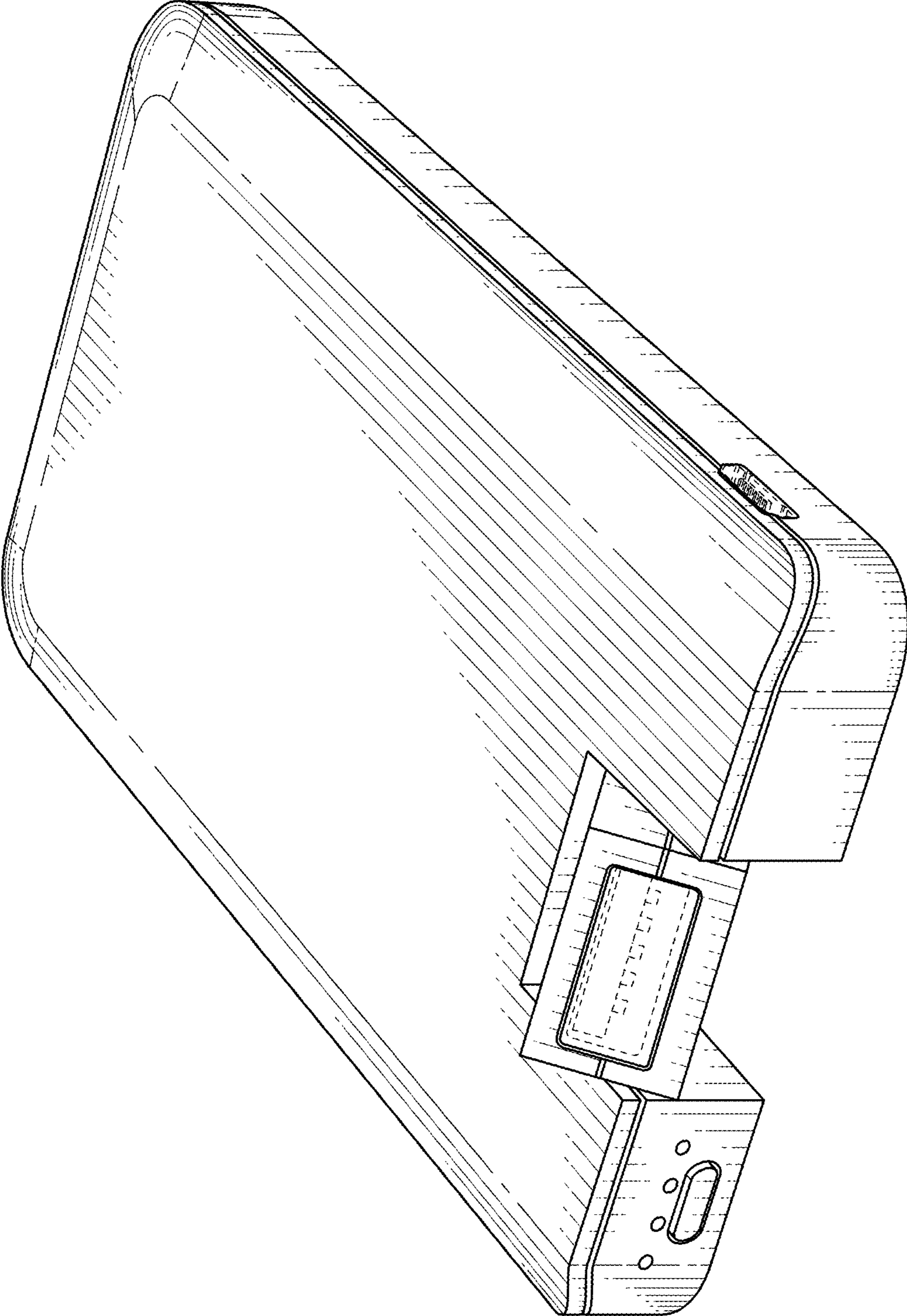


FIG. 2

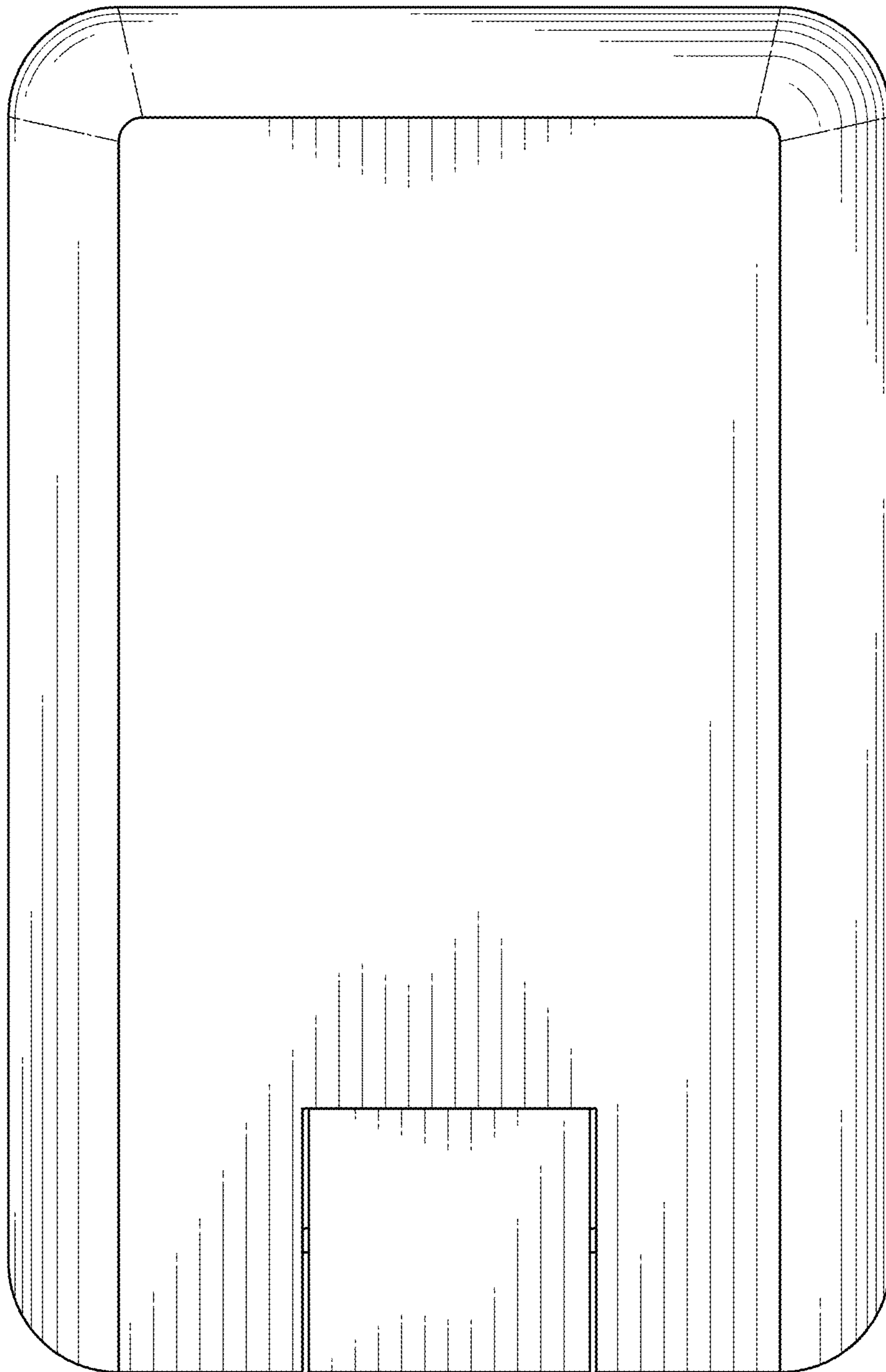


FIG. 3

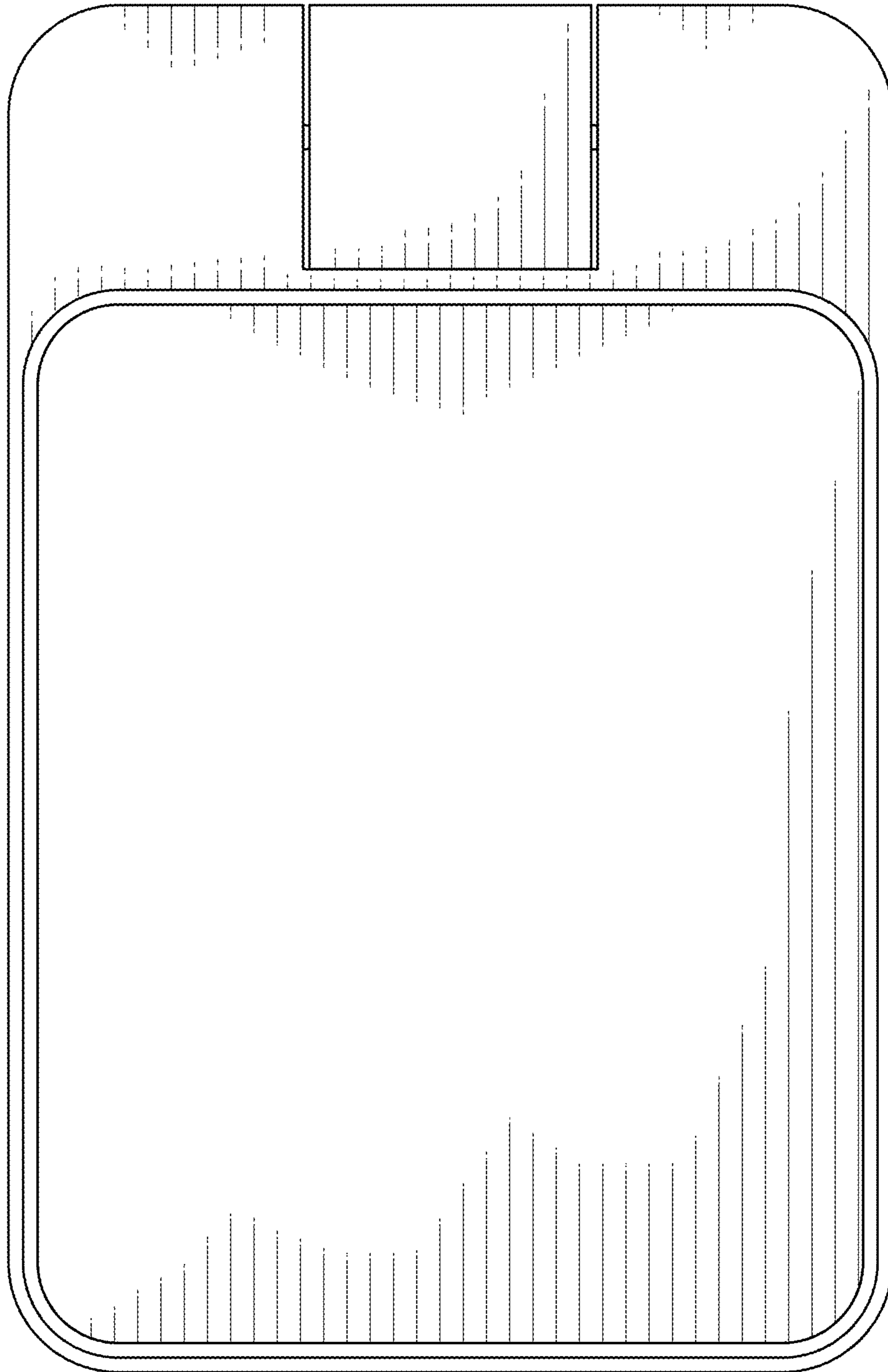


FIG. 4

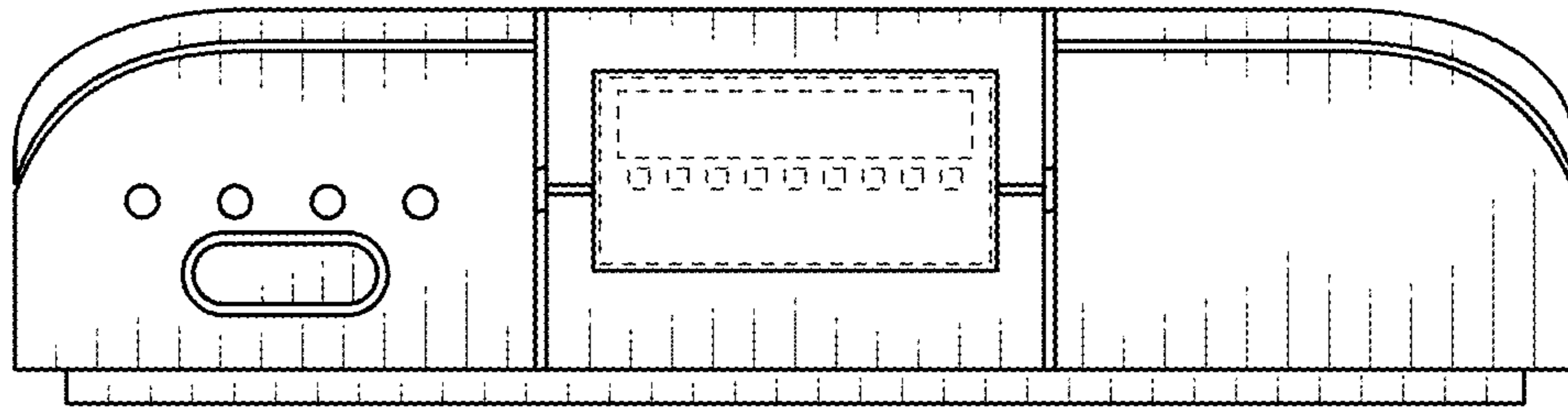


FIG. 5

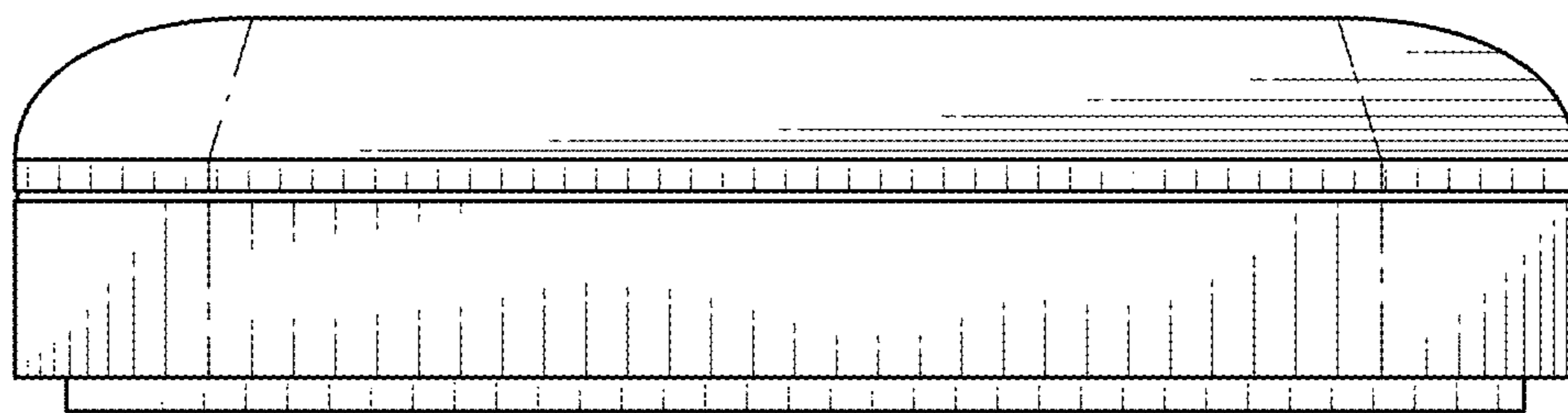


FIG. 6

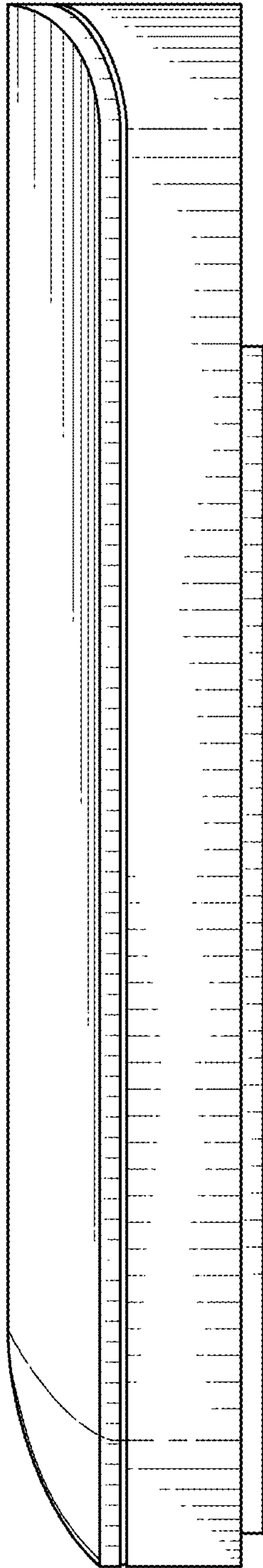


FIG. 7

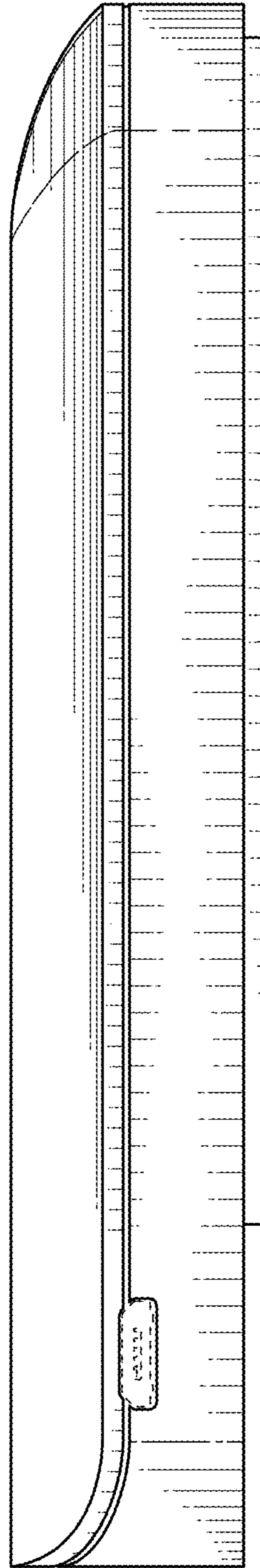


FIG. 8

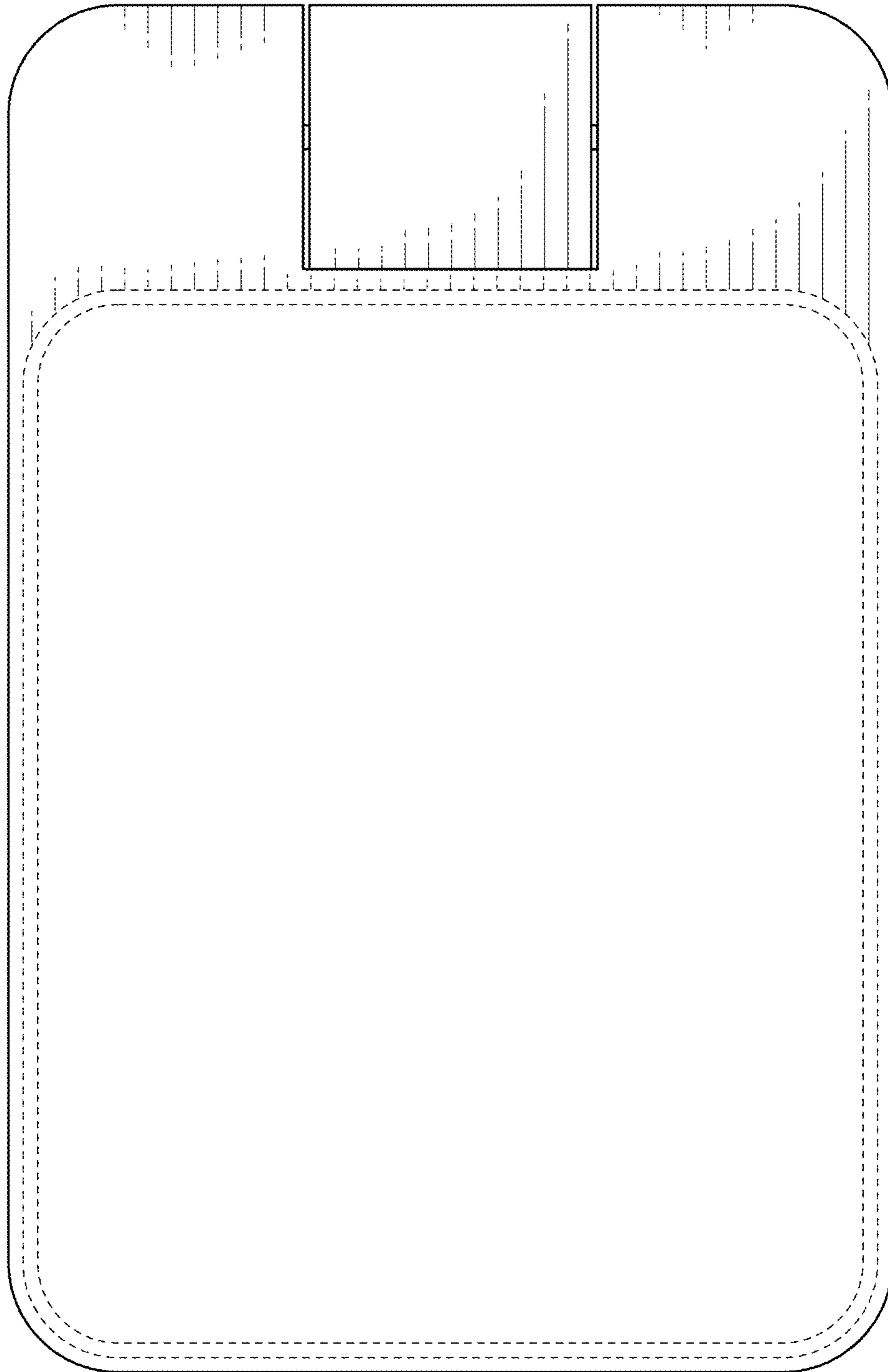


FIG. 9

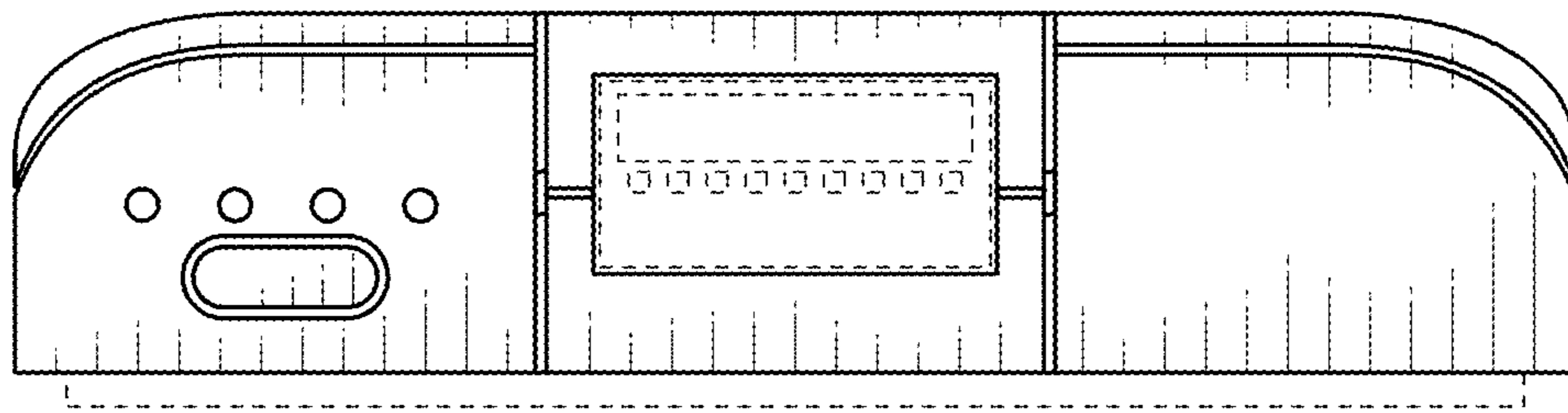


FIG. 10

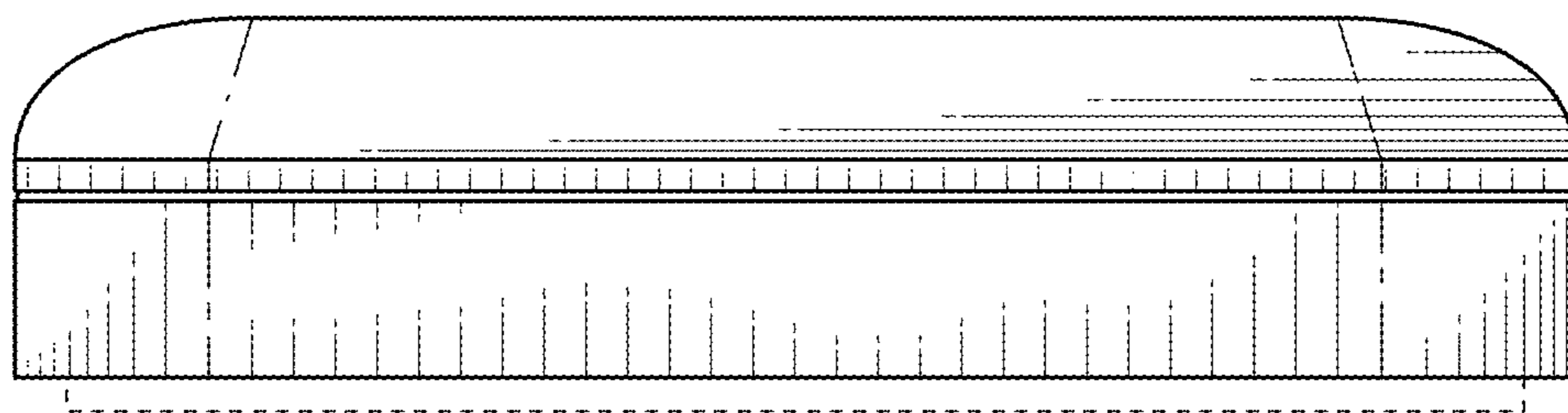


FIG. 11

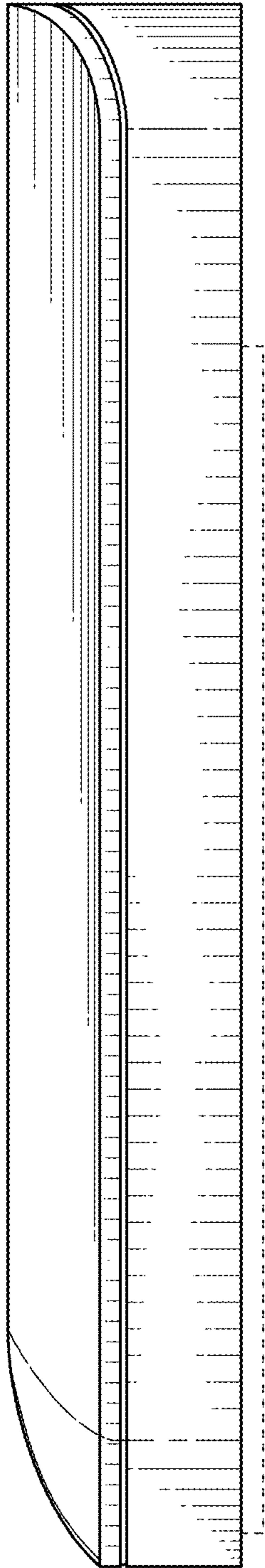


FIG. 12

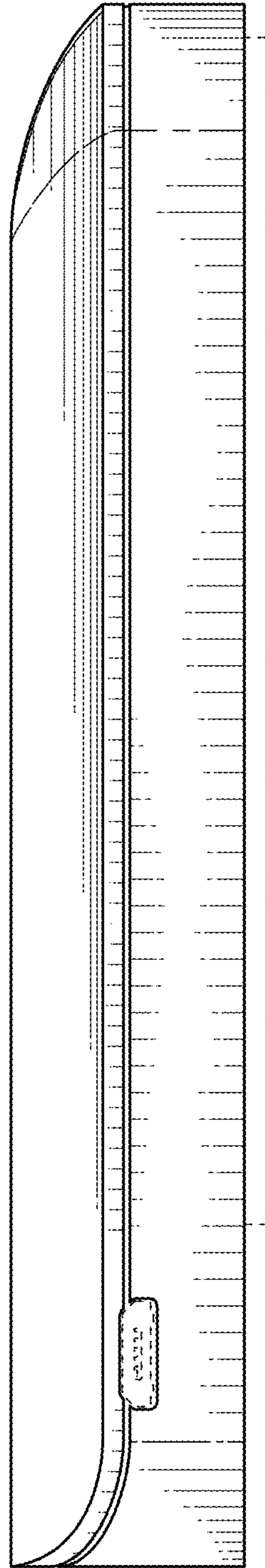


FIG. 13