



US00D875667S

(12) **United States Design Patent** (10) **Patent No.:** **US D875,667 S**  
**Tyler et al.** (45) **Date of Patent:** **\*\* Feb. 18, 2020**

(54) **LITHIUM ION BATTERY CELL**

H02J 7/0003; H02J 7/0011; H02J 7/0013;  
H02J 7/0054; H02J 7/0055; H02J 7/0057;  
H02J 2007/0062

(71) Applicant: **CPS TECHNOLOGY HOLDINGS LLC**, New York, NY (US)

See application file for complete search history.

(72) Inventors: **Matthew R. Tyler**, Brown Deer, WI (US); **Dale B. Trester**, Milwaukee, WI (US); **Christopher M. Bonin**, South Milwaukee, WI (US)

(56) **References Cited**

U.S. PATENT DOCUMENTS

(73) Assignee: **CPS Technology Holdings LLC**, New York, NY (US)

D586,740 S *	2/2009	Song	.....	D13/103
D586,741 S *	2/2009	Song	.....	D13/103
D586,742 S *	2/2009	Song	.....	D13/103
D590,769 S *	4/2009	Tatehata	.....	D13/103
D592,129 S *	5/2009	Masuda	.....	D13/103
D592,130 S *	5/2009	Tatehata	.....	D13/103
D642,978 S *	8/2011	Sato	.....	D13/103
D644,988 S *	9/2011	Finney	.....	D13/103
D645,814 S *	9/2011	Otani	.....	D13/103
D651,564 S *	1/2012	Workman	.....	D13/108
D665,734 S *	8/2012	Fitch	.....	D13/107
D677,623 S *	3/2013	Fitch	.....	D13/108

(Continued)

(\*\*) Term: **15 Years**

(21) Appl. No.: **29/598,626**

(22) Filed: **Mar. 28, 2017**

**Related U.S. Application Data**

(60) Division of application No. 29/529,110, filed on Jun. 3, 2015, now Pat. No. Des. 782,409, which is a continuation-in-part of application No. 14/673,740, filed on Mar. 30, 2015, now abandoned.

*Primary Examiner* — Rosemary K Tarcza

*Assistant Examiner* — Christy M Nemeth

(74) *Attorney, Agent, or Firm* — Christopher & Weisberg, P.A.

(51) **LOC (12) Cl.** ..... **13-02**

(52) **U.S. Cl.**  
USPC ..... **D13/103**

(57) **CLAIM**

The ornamental design for a lithium ion battery cell, as shown and described.

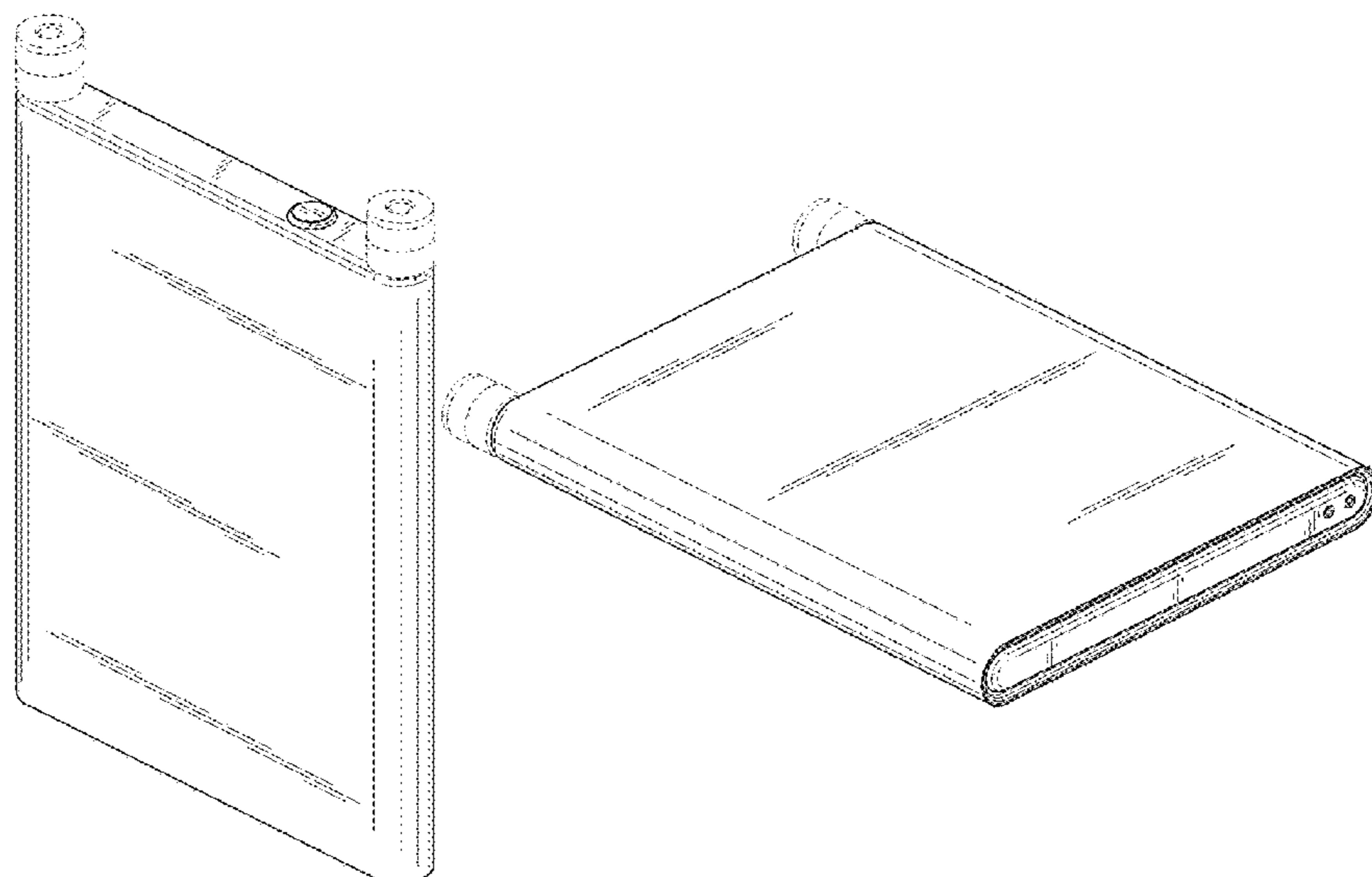
(58) **Field of Classification Search**

USPC ..... D13/103-110, 118, 119, 184, 199;  
D14/251, 253, 432, 434  
CPC ..... Y02E 60/10; Y02E 60/12; Y02E 60/122;  
Y02E 60/124; Y02E 60/50; H01M 2/02;  
H01M 2/022; H01M 2/0202; H01M  
2/0207; H01M 2/0212; H01M 2/1061;  
H01M 2/1022; H01M 2/1055; H01M  
2/1066; H01M 2/105; H01M 2/20; H01M  
2/202; H01M 2/204; H01M 2/206; H01M  
10/44; H01M 10/46; H01M 10/465;  
H01M 10/482; H01M 2200/30; H01M  
2250/30; H01M 2250/40; H02J 7/00;

**DESCRIPTION**

FIG. 1 is a top perspective view of a lithium ion battery cell showing our new design;  
FIG. 2 is a front elevation view thereof;  
FIG. 3 is a rear elevation view thereof;  
FIG. 4 is a right side elevation view thereof, the left side elevation view being identical;  
FIG. 5 is a top plan view thereof; and,  
FIG. 6 is a bottom perspective view thereof.  
The broken lines in the drawings are for the purpose of illustrating portions of the lithium ion battery cell that form no part of the claimed design.

**1 Claim, 6 Drawing Sheets**



(56)

**References Cited**

## U.S. PATENT DOCUMENTS

D678,185	S	*	3/2013	Horiuchi	.....	D13/103
D678,186	S	*	3/2013	Horiuchi	.....	D13/103
D684,114	S	*	6/2013	Otani	.....	D13/103
D740,752	S	*	10/2015	Kitsugi	.....	D13/119
D743,889	S	*	11/2015	Lyles	.....	D13/110
D747,264	S	*	1/2016	Kitsugi	.....	D13/103
D763,188	S	*	8/2016	Park	.....	D13/108
D772,807	S	*	11/2016	Chen	.....	D13/103
D773,390	S	*	12/2016	Dittel	.....	D13/103
D782,409	S	*	3/2017	Tyler	.....	D13/103
D782,410	S	*	3/2017	Li	.....	D13/103
D787,443	S	*	5/2017	Chiang	.....	D13/110
D815,036	S	*	4/2018	Martorell	.....	D13/108
D828,295	S	*	9/2018	Li	.....	D13/108
D839,823	S	*	2/2019	Lemelson	.....	D13/103
D853,958	S	*	7/2019	Lei	.....	D13/108
D856,278	S	*	8/2019	Turksu	.....	D13/108
D862,384	S	*	10/2019	Jen	.....	D13/108
D862,385	S	*	10/2019	Turksu	.....	D13/108
2015/0303411	A1	*	10/2015	Seong	.....	H01M 2/0202 429/163
2018/0102537	A1	*	4/2018	Kim	.....	H01M 4/131
2018/0233715	A1	*	8/2018	Xing	.....	H01M 2/0404
2019/0229325	A1	*	7/2019	Ahn	.....	H01M 4/133

\* cited by examiner

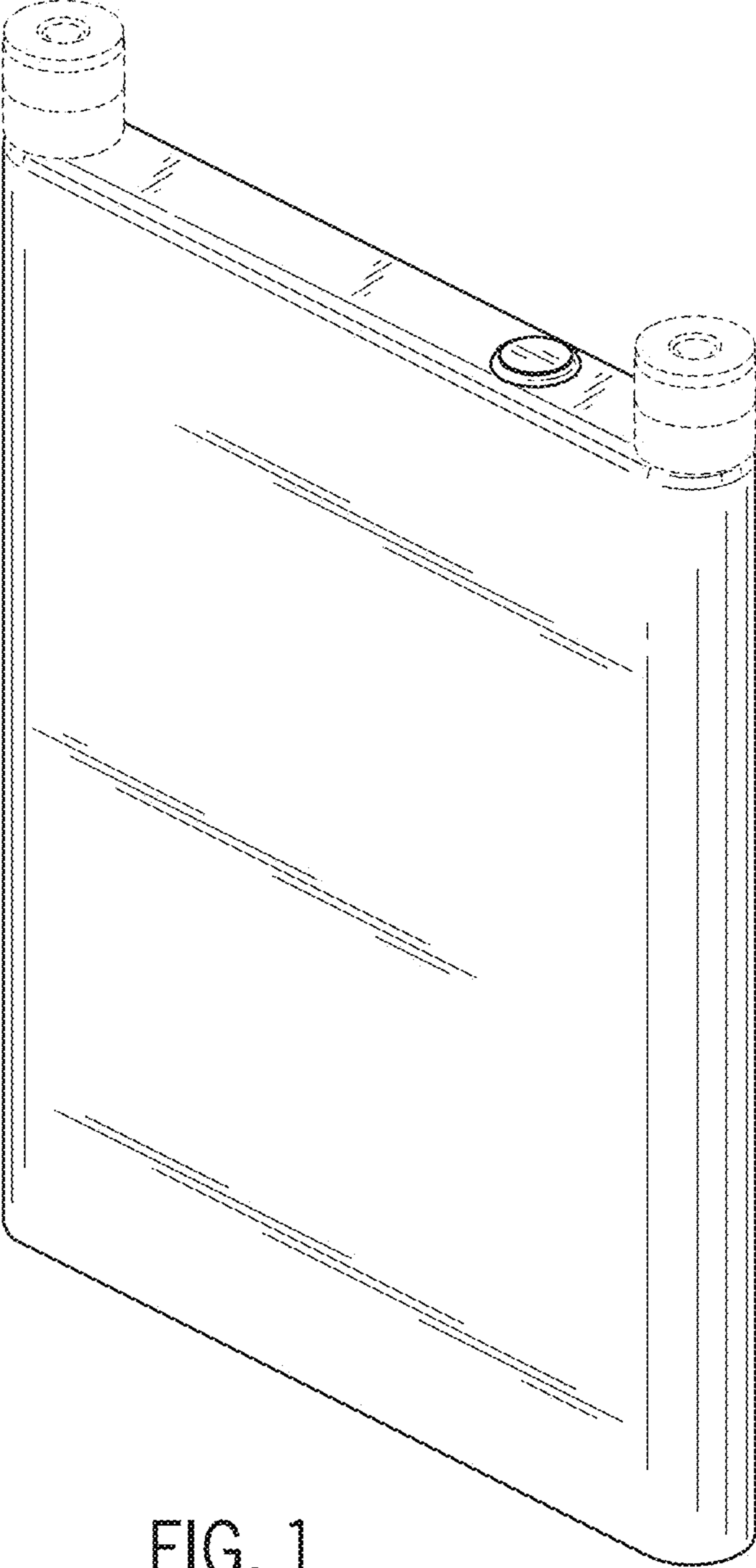


FIG. 1

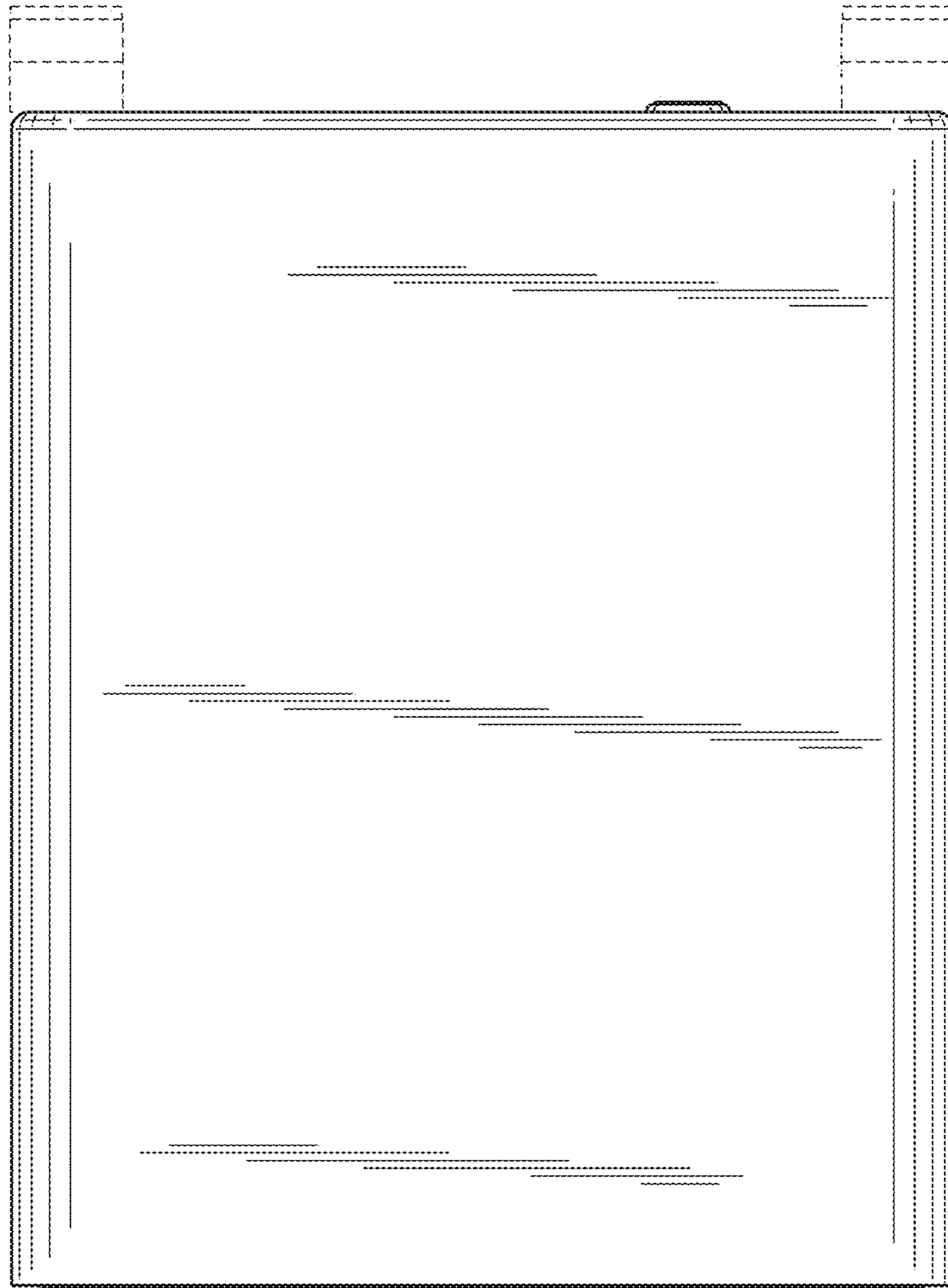


FIG. 2

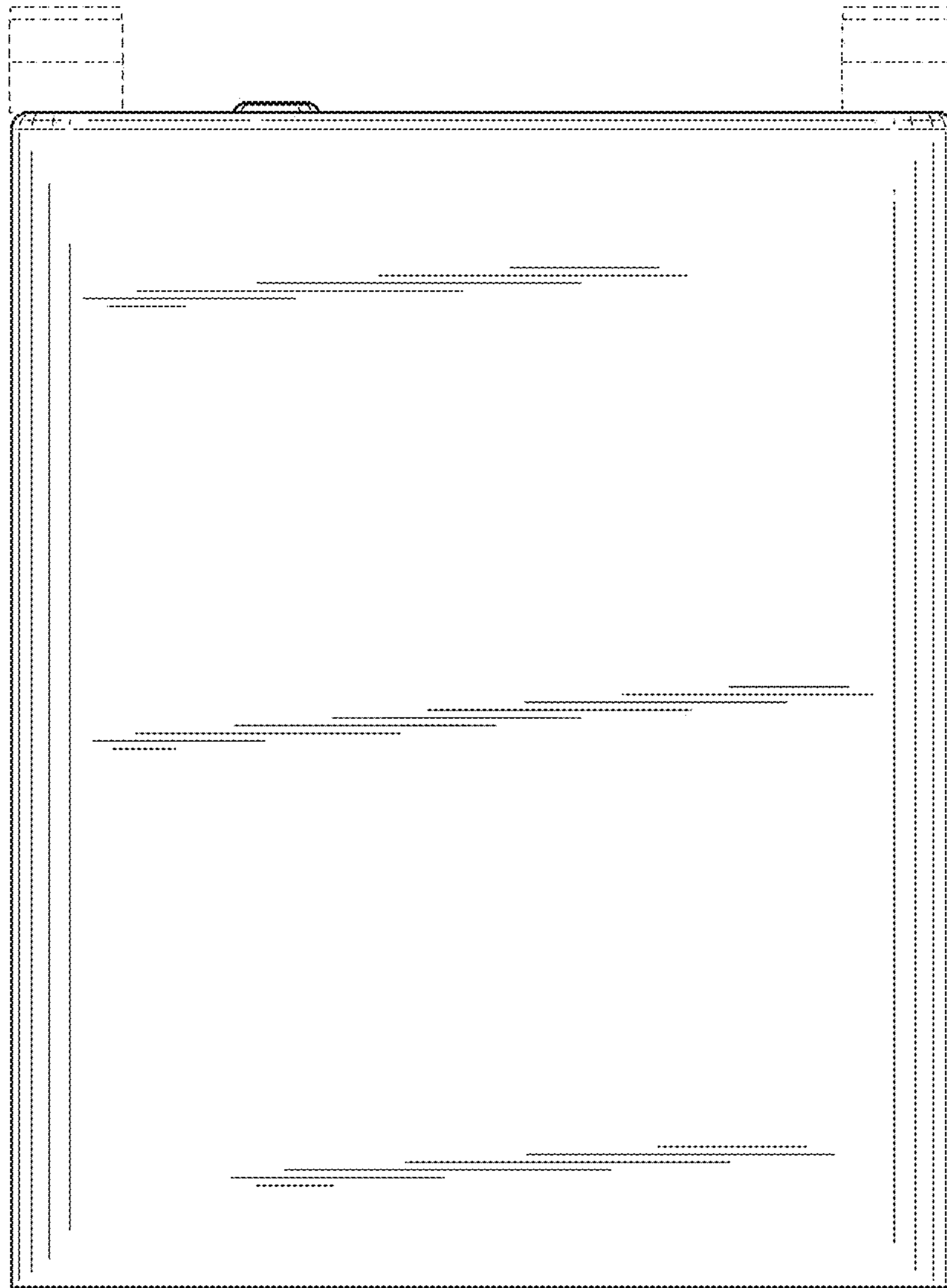


FIG. 3

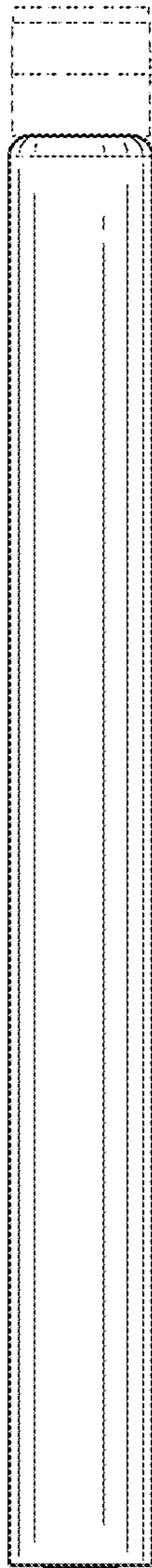


FIG. 4

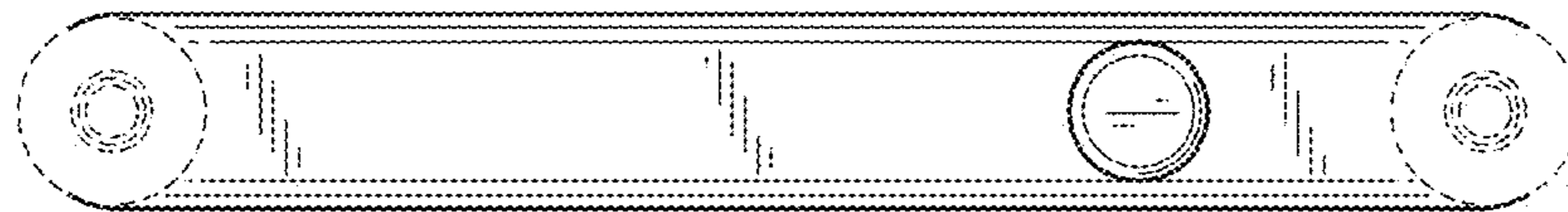


FIG. 5

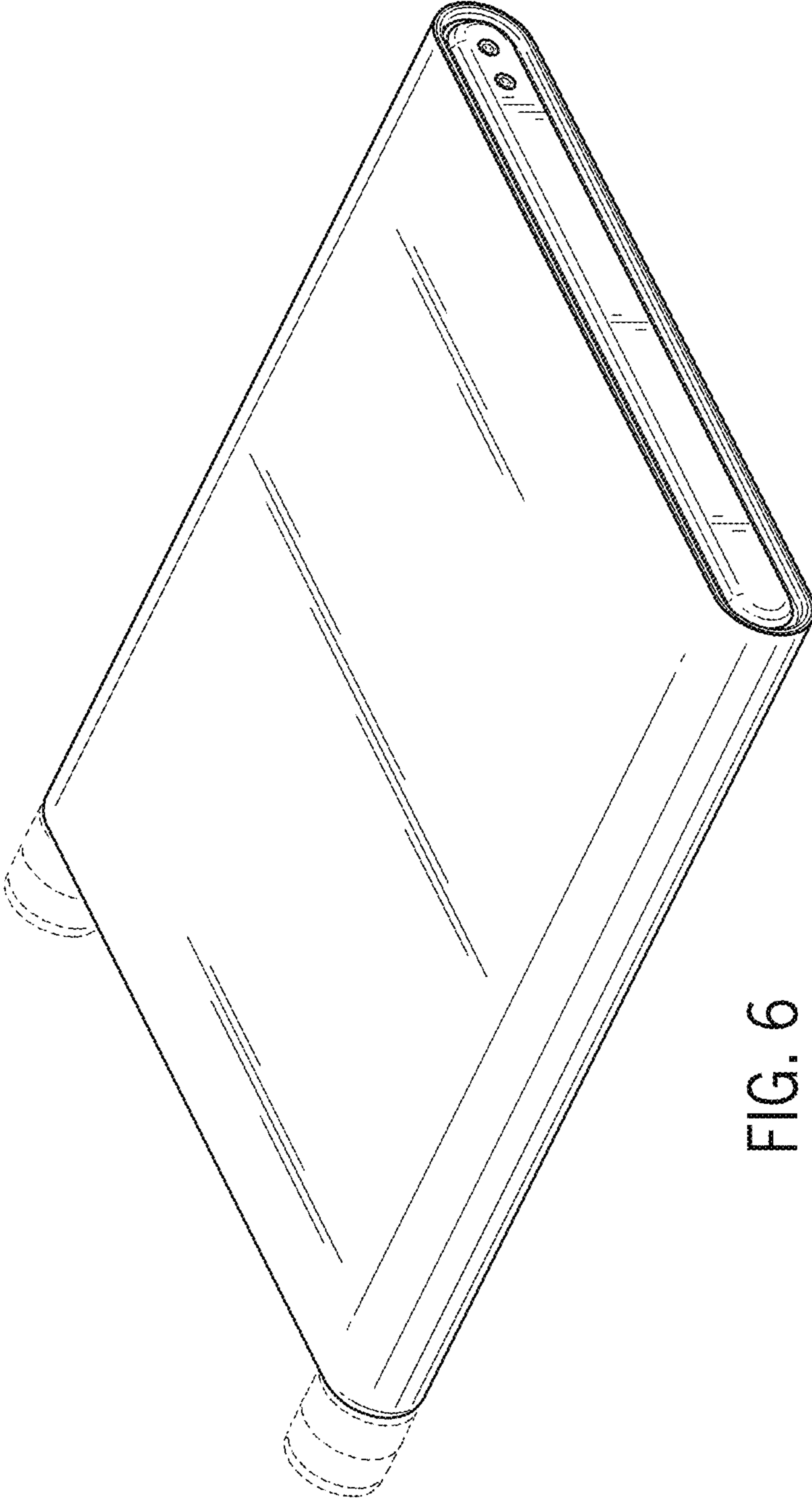


FIG. 6



UNITED STATES PATENT AND TRADEMARK OFFICE  
**CERTIFICATE OF CORRECTION**

PATENT NO. : D875,667 S  
APPLICATION NO. : 29/598626  
DATED : February 18, 2020  
INVENTOR(S) : Tyler et al.

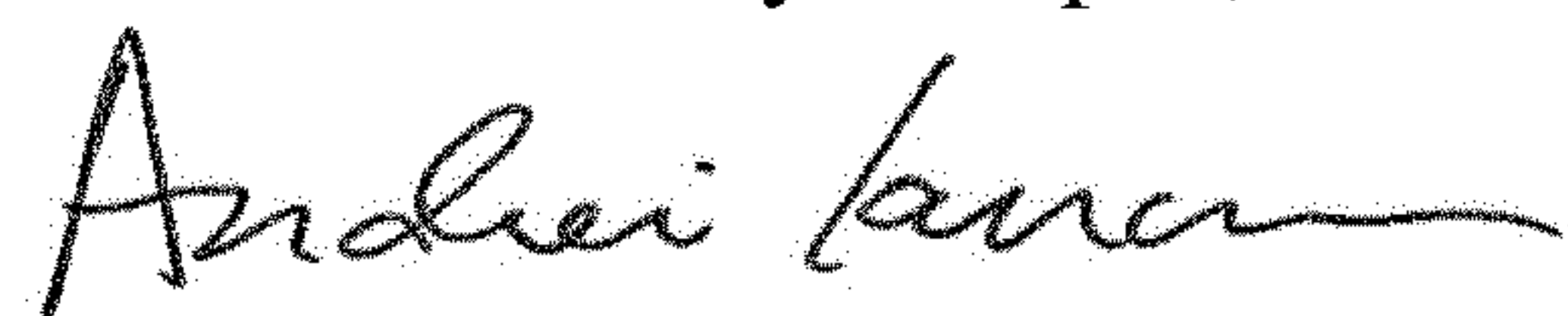
Page 1 of 1

It is certified that error appears in the above-identified patent and that said Letters Patent is hereby corrected as shown below:

On the Title Page

In Column 1, under "Related U.S. Application Data", delete item "(60)" and insert item -- (62) --, therefor.

Signed and Sealed this  
Fourteenth Day of April, 2020



Andrei Iancu  
*Director of the United States Patent and Trademark Office*