



US00D875666S

(12) **United States Design Patent**
Mizrahi et al.

(10) **Patent No.:** **US D875,666 S**

(45) **Date of Patent:** **** Feb. 18, 2020**

(54) **BATTERY PACK FOR PORTABLE ELECTRONIC DEVICE**

(71) Applicant: **Mizco International Inc.**, Avenel, NJ (US)

(72) Inventors: **Maurice Mizrahi**, Brooklyn, NY (US); **David Goetz**, Avenel, NJ (US)

(73) Assignee: **MIZCO INTERNATIONAL INC.**, Cranford, NJ (US)

(**) Term: **15 Years**

(21) Appl. No.: **29/589,814**

(22) Filed: **Jan. 4, 2017**

(51) **LOC (12) Cl.** **13-02**

(52) **U.S. Cl.**
USPC **D13/103**

(58) **Field of Classification Search**

USPC D13/102-108, 110, 118-120, 184, 199
CPC Y02E 60/12; Y02E 60/122; Y02E 60/124;
Y02E 60/50; H01M 2/02; H01M 2/022;
H01M 2/0202; H01M 2/0207; H01M 2/0212; H01M 2/1061; H01M 2/1022;
H01M 2/1055; H01M 2/1066; H01M 2/105; H01M 2/204; H01M 10/4257;
H01M 10/0436; H01M 10/48; H01M 10/44; H01M 10/46; H01M 10/465;
H01M 10/482; H01M 2200/30; H01M 2250/30; H01M 2250/40; H02J 7/00;
H02J 7/0003; H02J 7/0011;

(Continued)

(56) **References Cited**

U.S. PATENT DOCUMENTS

D397,085 S * 8/1998 Blase D13/118
6,806,681 B1 10/2004 Cheiky et al.

(Continued)

FOREIGN PATENT DOCUMENTS

CA 2887534 A1 10/2016
JP H08304898 A 11/1996

(Continued)

OTHER PUBLICATIONS

International Search Report & Written Opinion for counterpart application No. PCT/US2018/012430 dated Mar. 19, 2018; 12 pages.

(Continued)

Primary Examiner — Rosemary K Tarcza

Assistant Examiner — Christy M Nemeth

(74) *Attorney, Agent, or Firm* — Loza & Loza, LLP; Jeffrey T. Burgess

(57) **CLAIM**

The ornamental design for a battery pack for portable electronic device, substantially as shown and described.

DESCRIPTION

FIG. 1 is a top, front perspective view of a battery pack for portable electronic device of our new design.

FIG. 2 is a top, rear perspective view thereof.

FIG. 3 is another top, front perspective view thereof.

FIG. 4 is another top, rear perspective view thereof.

FIG. 5 is a bottom, front perspective view thereof.

FIG. 6 is a bottom, rear perspective view thereof.

FIG. 7 is a front elevation view thereof.

FIG. 8 is a rear elevation view thereof.

FIG. 9 is a right side elevation view thereof.

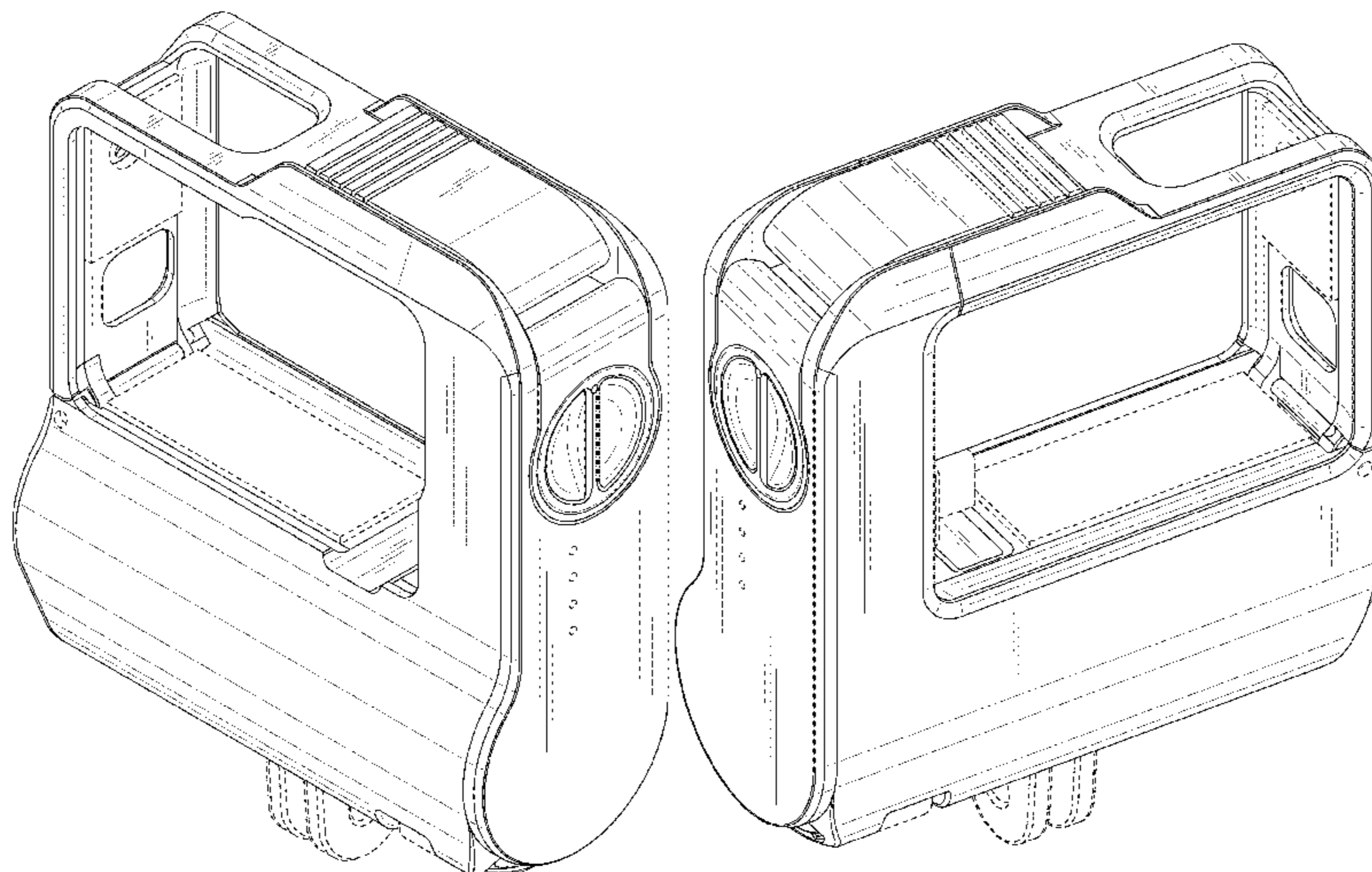
FIG. 10 is a left side elevation view thereof.

FIG. 11 is a top plan view thereof; and,

FIG. 12 is a bottom plan view thereof.

The broken line showing of a camera in FIGS. 1 and 2 is for the purpose of illustrating environmental subject matter that forms no part of the claimed design. The remaining broken lines in the drawings are for the purpose of illustrating portions of the battery pack for portable electronic device that form no part of the claimed design.

1 Claim, 12 Drawing Sheets



(58) **Field of Classification Search**
 CPC H02J 7/0013; H02J 7/0054; H02J 7/0055;
 H02J 7/0057
 See application file for complete search history.

2013/0107446	A1	5/2013	Carnevali
2015/0264226	A1	9/2015	Gafni
2015/0380709	A1	12/2015	Mizrahi
2016/0197439	A1	7/2016	Mizrahi et al.
2017/0207643	A1	7/2017	Eliyahu
2017/0324890	A1	11/2017	Moskovchenko

(56) **References Cited**

U.S. PATENT DOCUMENTS

D532,369	S *	11/2006	Shimizu	D13/108
D532,370	S *	11/2006	Shimizu	D13/108
D536,665	S *	2/2007	Solland	D13/108
D548,690	S *	8/2007	Aglassinger	D13/108
D569,794	S *	5/2008	Zhang	D13/103
D645,428	S *	9/2011	Karlsson	D13/199
9,508,965	B1 *	11/2016	Zhang	G03B 17/02
10,200,610	B2 *	2/2019	Woodman	H04N 5/23241
D842,238	S *	3/2019	Qiu	D13/103
D842,243	S *	3/2019	Qiu	D13/108
D844,559	S *	4/2019	Mercer	D13/107
10,271,441	B2 *	4/2019	Merenda	B65H 75/48
D849,684	S *	5/2019	Mehra	D13/119
D854,496	S *	7/2019	Yin	D13/108
D855,020	S *	7/2019	Zhao	D13/110
D856,273	S *	8/2019	Houghton	D13/103
D856,928	S *	8/2019	Mouchet	D13/110
D861,606	S *	10/2019	Yang	D13/119
2010/0247089	A1	9/2010	Tian		
2011/0261509	A1	10/2011	Xu et al.		
2013/0104364	A1	5/2013	Carnevali		

FOREIGN PATENT DOCUMENTS

JP		3036035	U	4/1997
JP		2006106276	A	4/2006
JP		4332677	B2	9/2009

OTHER PUBLICATIONS

Amazon.com, "Newer Replacement Mb-d80 Battery Grip Hand Grip Works With 6pcs Aa Battery or En-el3e Battery (battery Not Included) + Battery Grip Holder for Nikon D80 D90 Slr Camera", accessed Dec. 21, 2017; 8 pages <<https://www.amazon.com/Newer-Replacement-Battery-EN-EL3e-Included/dp/B006B20MEQ>>.

AliExpress, "Suptig For Gopro Standard Housing BacPac Mount Expanded Edition Frame (Camera+LCD BacPac/Battery BacPac) For GoPro HERO4 3+3", accessed Dec. 21, 2017; 3 pages <<https://www.aliexpress.com/item/Gopro-HERO-4-Standard-Frame-BacPac-Frame-Expanded-Edition-Frame-Camera-LCD-BacPac-Battery-BacPac-For%E2%80%A6>>.

* cited by examiner

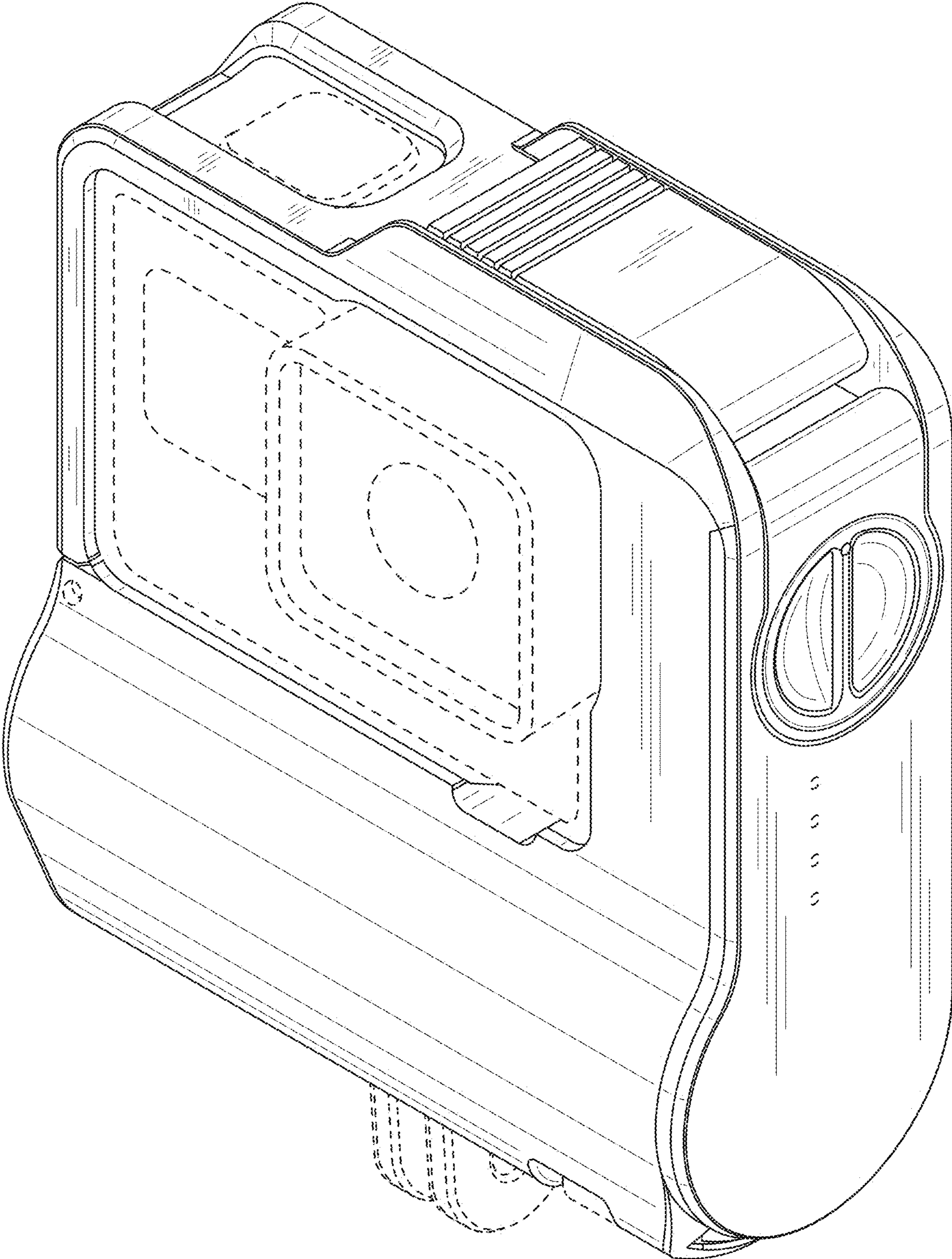


FIG. 1

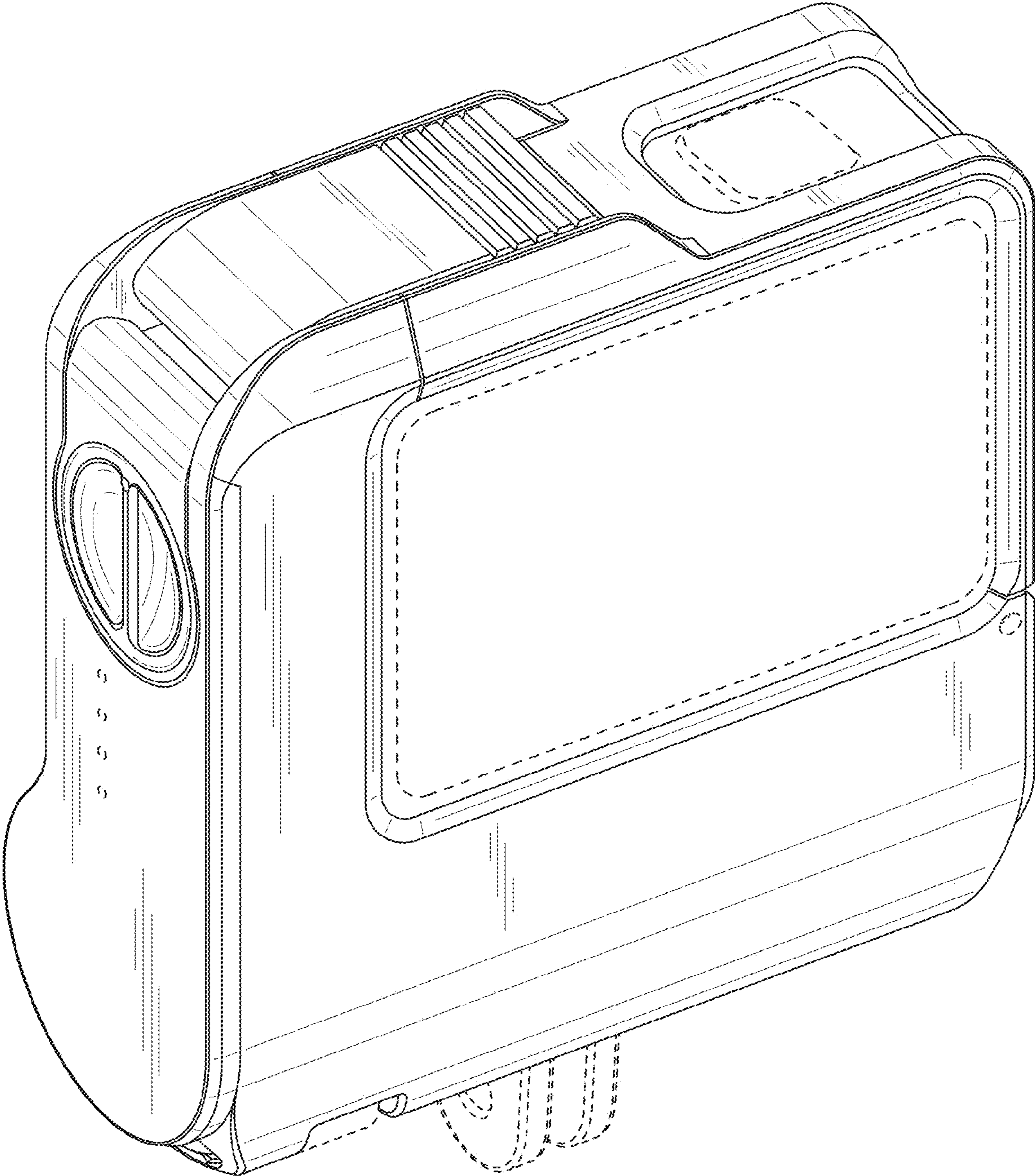


FIG. 2

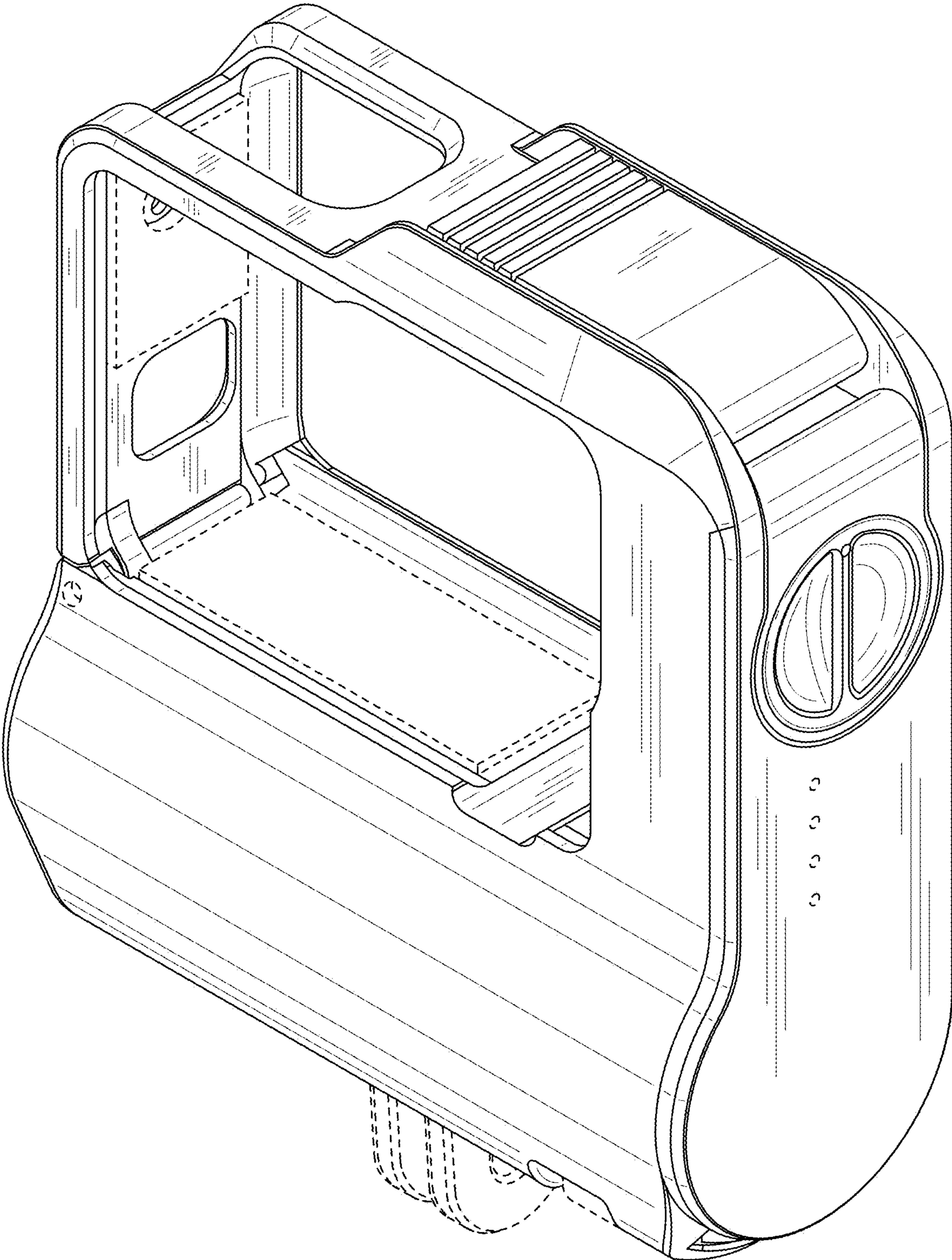


FIG. 3

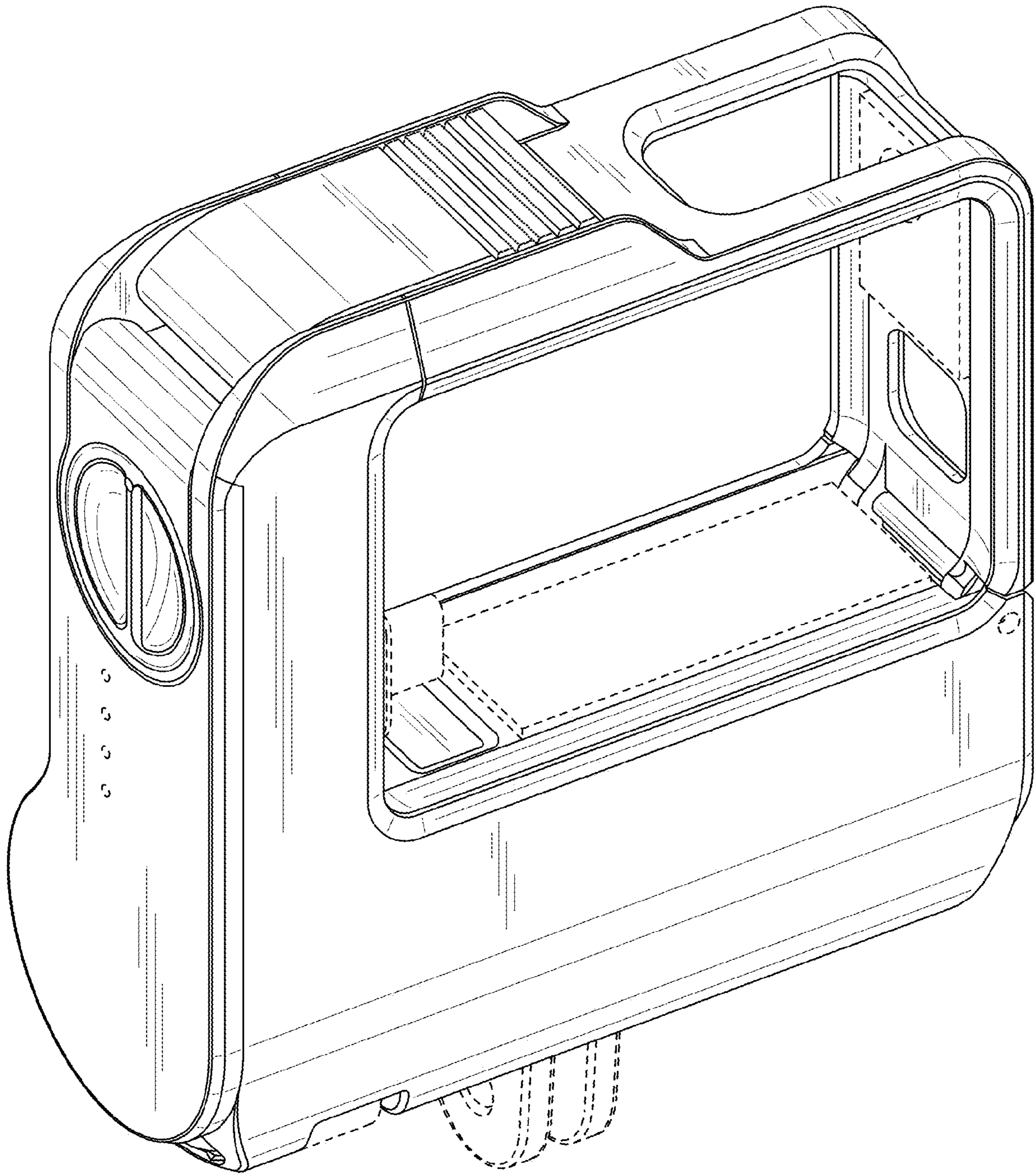


FIG. 4

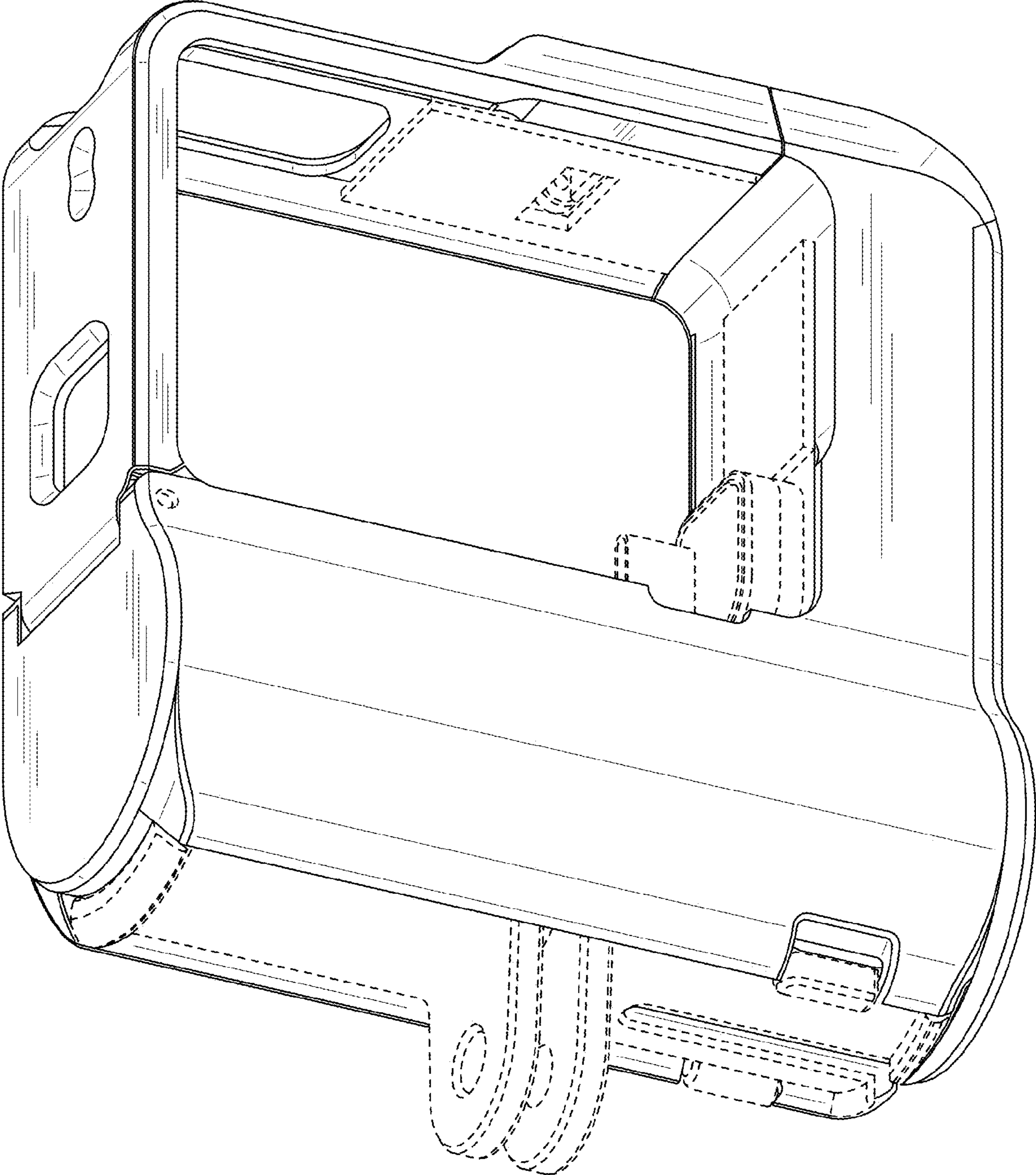


FIG. 5

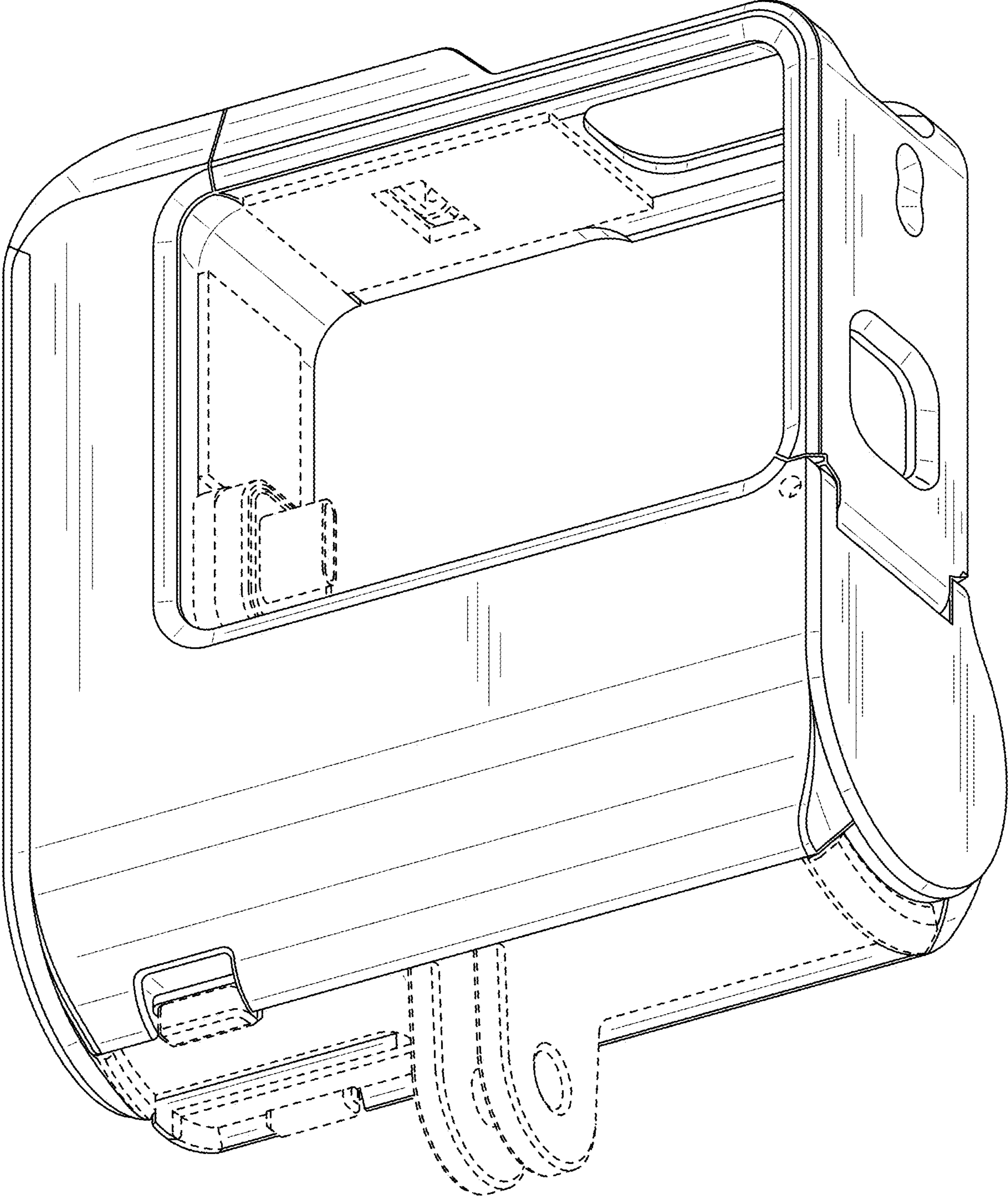


FIG. 6

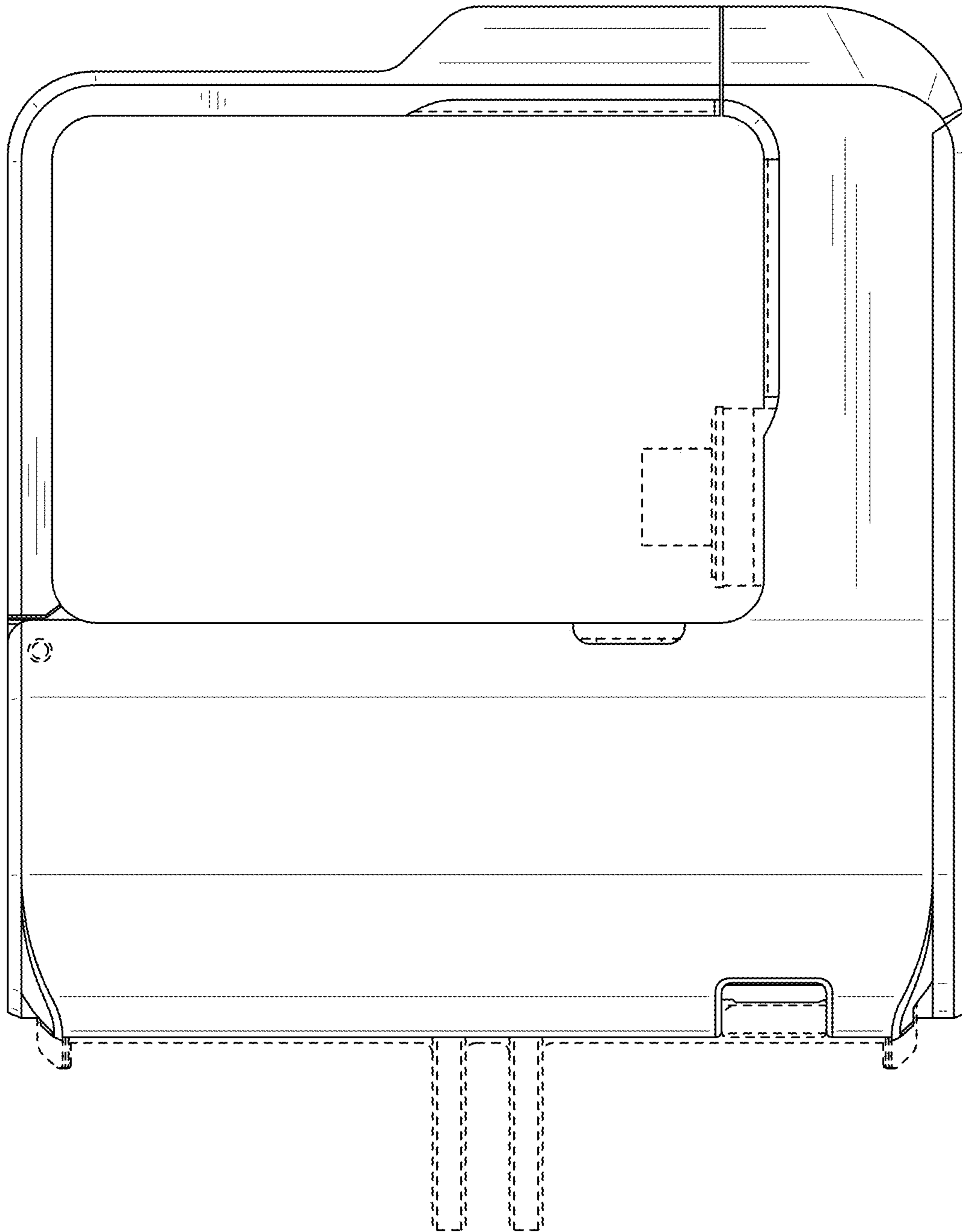


FIG. 7

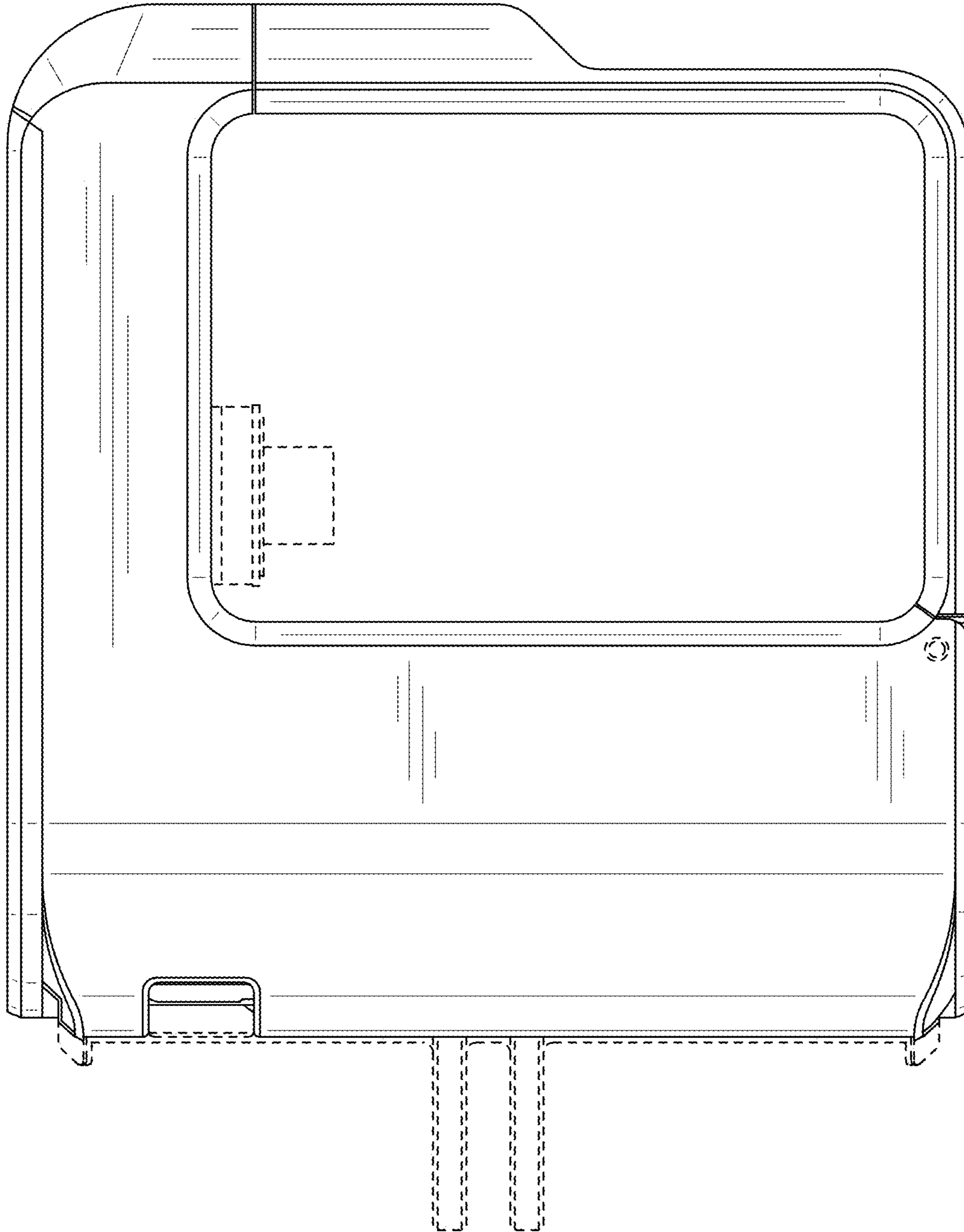


FIG. 8

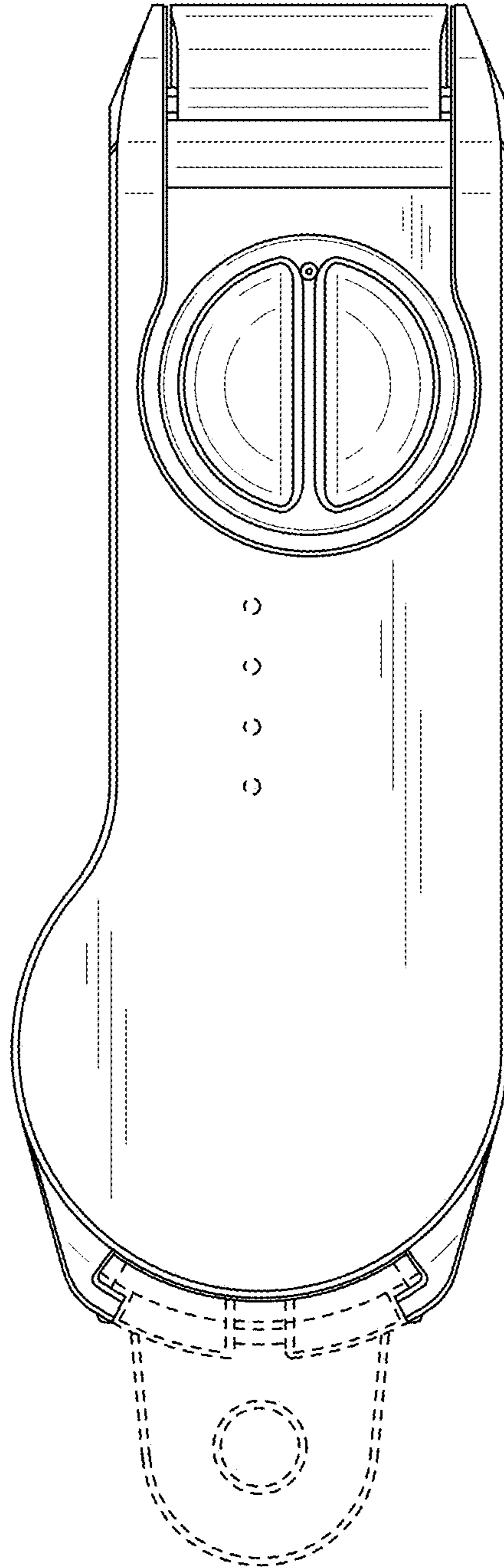


FIG. 9

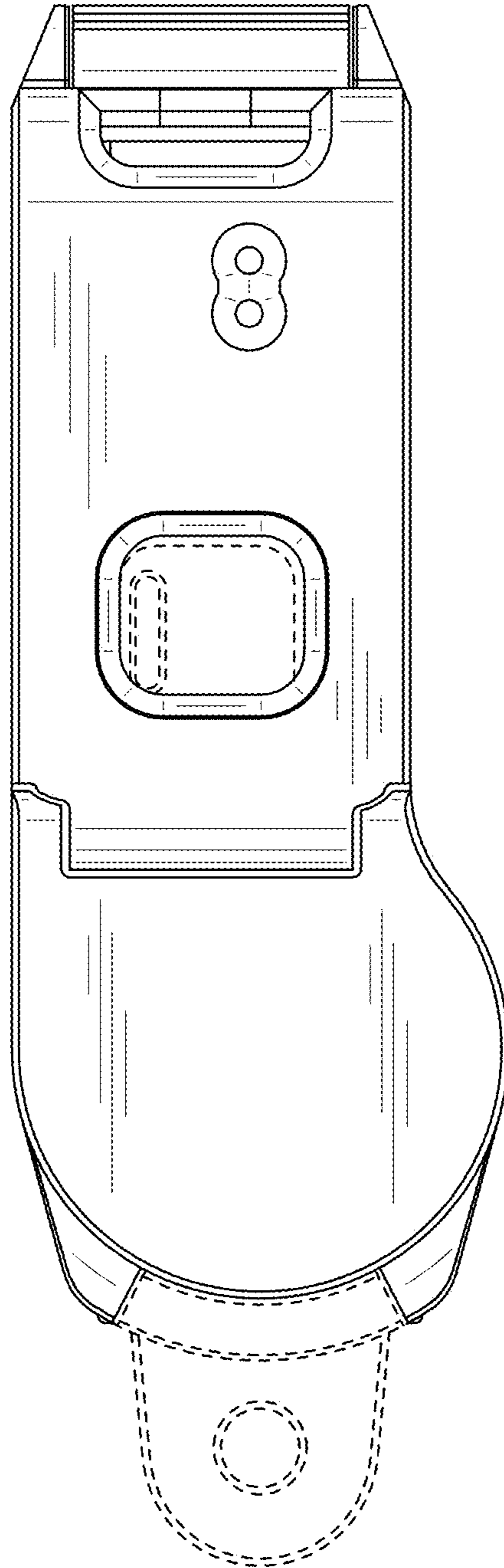


FIG. 10

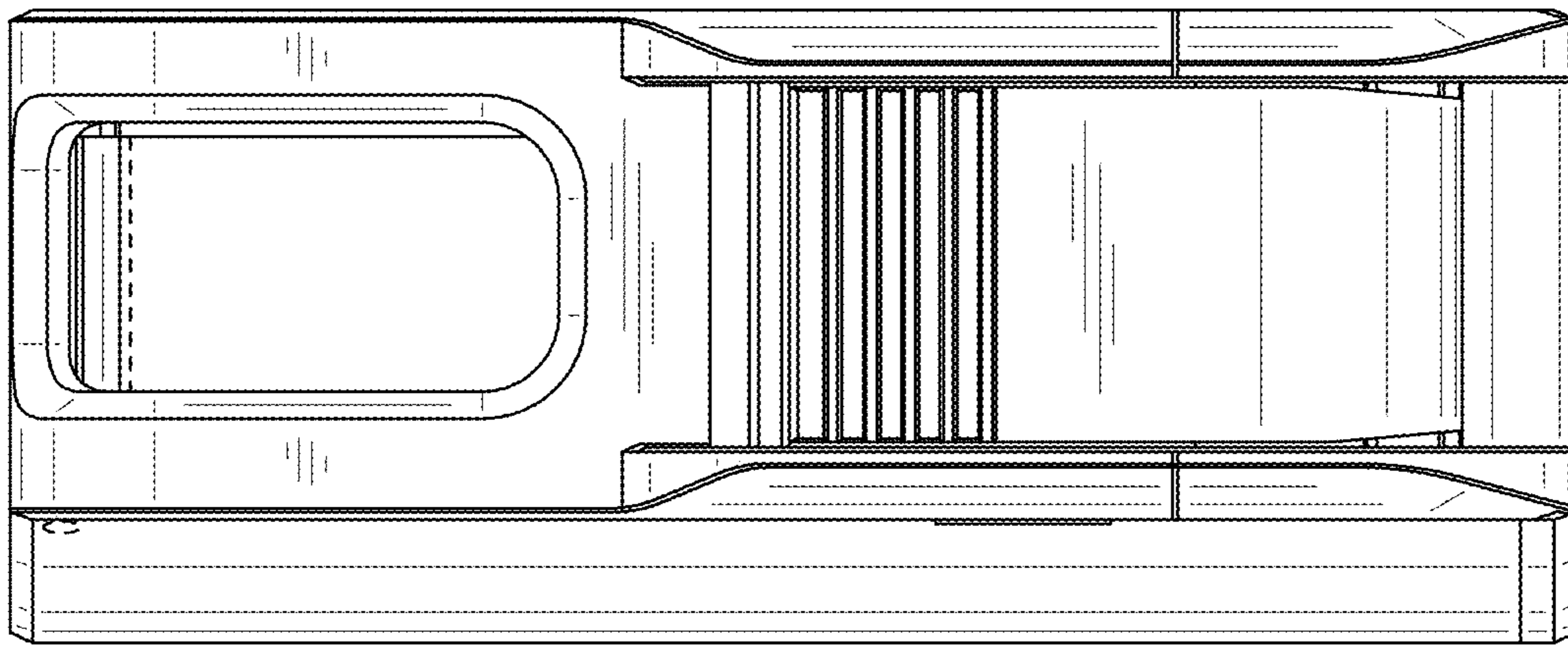


FIG. 11

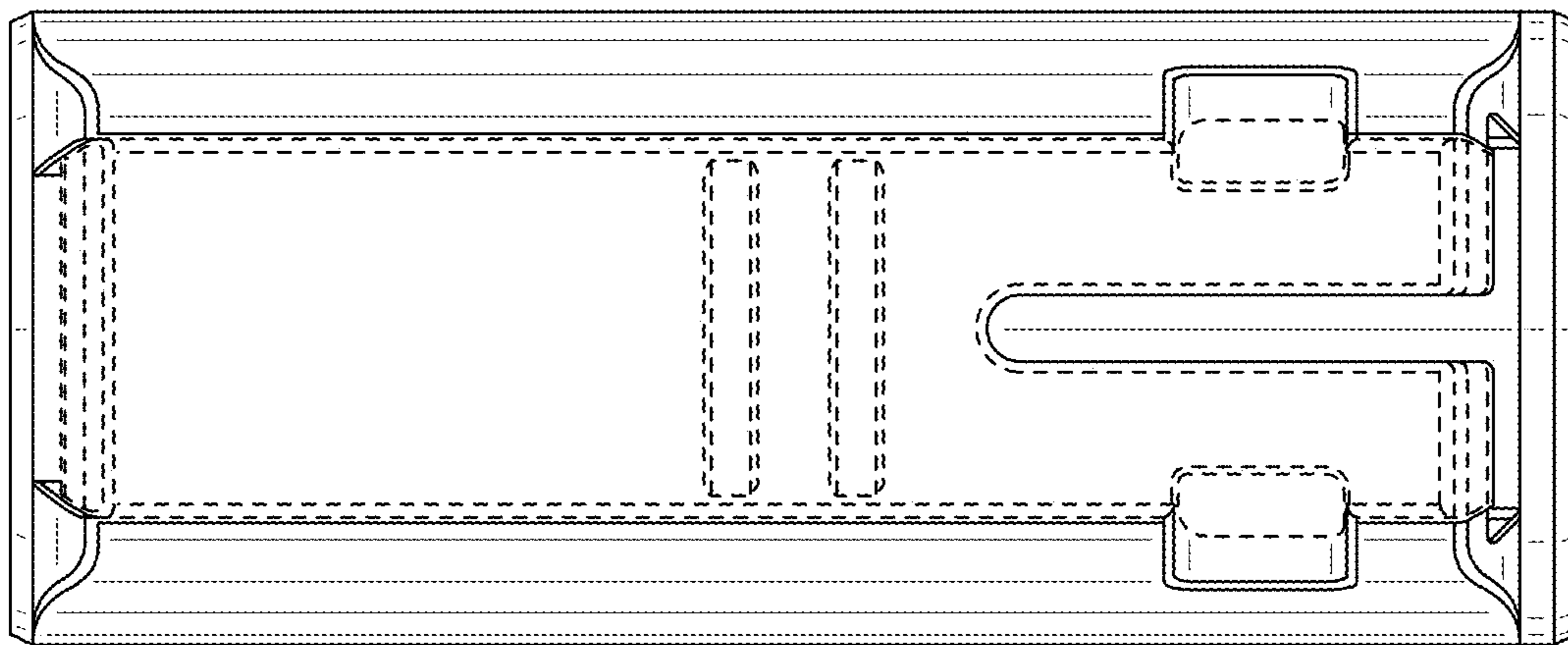


FIG. 12