



US00D875664S

(12) **United States Design Patent** (10) **Patent No.:** **US D875,664 S**
Parilla et al. (45) **Date of Patent:** **** Feb. 18, 2020**

- (54) **TILED SOLAR CELL**
- (71) Applicant: **SOLARIA CORPORATION**, Fremont, CA (US)
- (72) Inventors: **Aureo Parilla**, Fremont, CA (US); **Abhay Maheshwari**, Monte Sereno, CA (US); **Kevin R. Gibson**, Redwood City, CA (US)
- (73) Assignee: **SOLARIA CORPORATION**, Fremont, CA (US)
- (**) Term: **15 Years**
- (21) Appl. No.: **29/601,064**
- (22) Filed: **Apr. 18, 2017**

Related U.S. Application Data

- (63) Continuation of application No. 29/570,145, filed on Jul. 5, 2016, now Pat. No. Des. 784,254, which is a continuation of application No. 29/509,179, filed on Nov. 14, 2014, now Pat. No. Des. 763,787.
- (51) **LOC (12) Cl.** **13-02**
- (52) **U.S. Cl.**
USPC **D13/102**
- (58) **Field of Classification Search**
USPC D13/102, 103, 104, 107, 110, 119, 199
CPC Y02E 10/50; Y02E 10/544; H01L 31/042; H01L 25/04
See application file for complete search history.

(56) **References Cited**

U.S. PATENT DOCUMENTS

- 5,180,442 A * 1/1993 Elias F24J 2/5205 136/244
- D389,454 S * 1/1998 Mori D13/102
- 6,105,316 A * 8/2000 Bottger F24J 2/5237 126/623
- D442,549 S * 5/2001 Sasaoka D13/102

- D442,915 S * 5/2001 Sasaoka D13/102
- 6,818,820 B2 * 11/2004 Matsushita F24J 2/5237 136/244
- D555,083 S 11/2007 Sharma et al.
- D555,084 S 11/2007 Sharma et al.
- D558,139 S 12/2007 Sharma et al.
- D559,174 S 1/2008 Sharma et al.
- D568,238 S 5/2008 Sharma et al.
- D588,534 S 3/2009 Sharma et al.
- D591,229 S 4/2009 Sharma et al.
- D611,895 S * 3/2010 Plaisted D13/102
- D631,005 S * 1/2011 Young D13/102

(Continued)

Primary Examiner — Derrick E Holland
Assistant Examiner — Jennifer O King

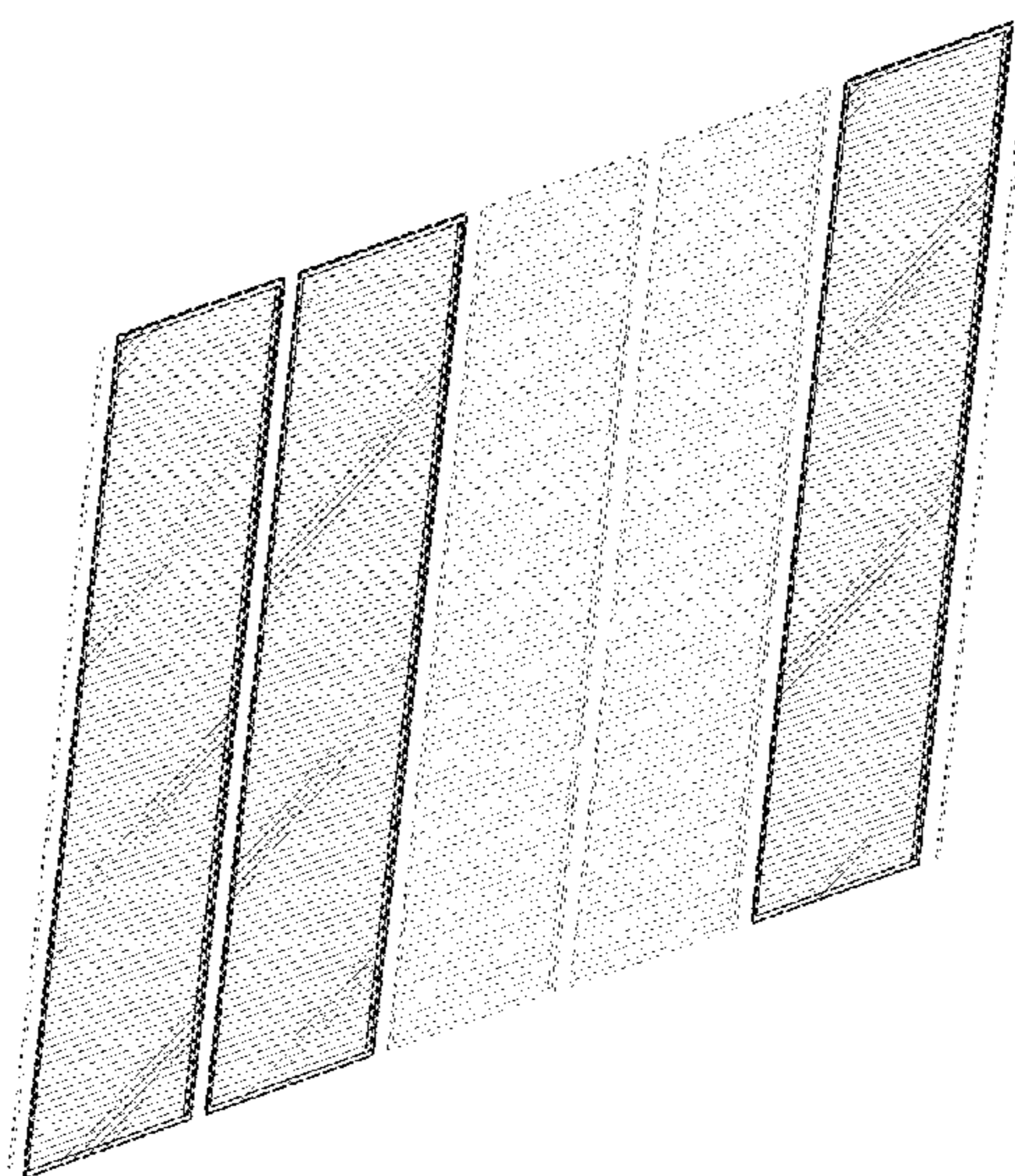
(57) **CLAIM**

The ornamental design for a tiled solar cell, as shown and described.

DESCRIPTION

FIG. 1 is a perspective view of a tiled solar cell;
 FIG. 2 is back perspective view thereof;
 FIG. 3 is a front view thereof;
 FIG. 4 is a back view thereof;
 FIG. 5 is a top view thereof;
 FIG. 6 is a first side view thereof;
 FIG. 7 is a second side view thereof;
 FIG. 8 is a bottom view thereof;
 FIG. 9 is a detailed view taken at area 9 on FIG. 3;
 FIG. 10 is a detailed view taken at area 10 on FIG. 3;
 FIG. 11 is a detailed view taken at area 11 on FIG. 3;
 FIG. 12 is a detailed view taken at area 12 on FIG. 4;
 FIG. 13 is a detailed view taken at area 13 on FIG. 4;
 FIG. 14 is a detailed view taken at area 14 on FIG. 4; and,
 FIG. 15 is a detailed view taken at area 15 on FIG. 5.
 The broken lines shown represent portions of the tiled solar cell that form no part of the claimed design.

1 Claim, 8 Drawing Sheets



(56)

References Cited

U.S. PATENT DOCUMENTS

D679,650 S * 4/2013 Farris, III D13/102
D695,679 S * 12/2013 Endoh D13/102
D699,176 S 2/2014 Salomon et al.
D762,163 S * 7/2016 Parilla D13/102
D767,484 S * 9/2016 Morad D13/102
D781,230 S * 3/2017 Gibson D13/102
D785,559 S * 5/2017 Otsuka D13/102
D810,676 S * 2/2018 Detrick D13/102
D812,554 S * 3/2018 Gibson D13/102
D813,153 S * 3/2018 Gibson D13/102
D815,028 S * 4/2018 Detrick D13/102
D838,666 S * 1/2019 Dreier D13/102
D841,570 S * 2/2019 Zhou D13/102
2004/0255999 A1 * 12/2004 Matsushita H02S 40/32
136/244
2004/0261836 A1 * 12/2004 Kataoka H01L 31/0236
136/244
2011/0174354 A1 * 7/2011 Kutzer H01L 31/188
136/244
2013/0104954 A1 * 5/2013 Zhou H01L 27/1421
136/244
2014/0007926 A1 * 1/2014 Korman H01L 31/18
136/251
2014/0124014 A1 * 5/2014 Morad H01L 31/042
136/246
2019/0051789 A1 * 2/2019 Morad H02J 5/00

* cited by examiner

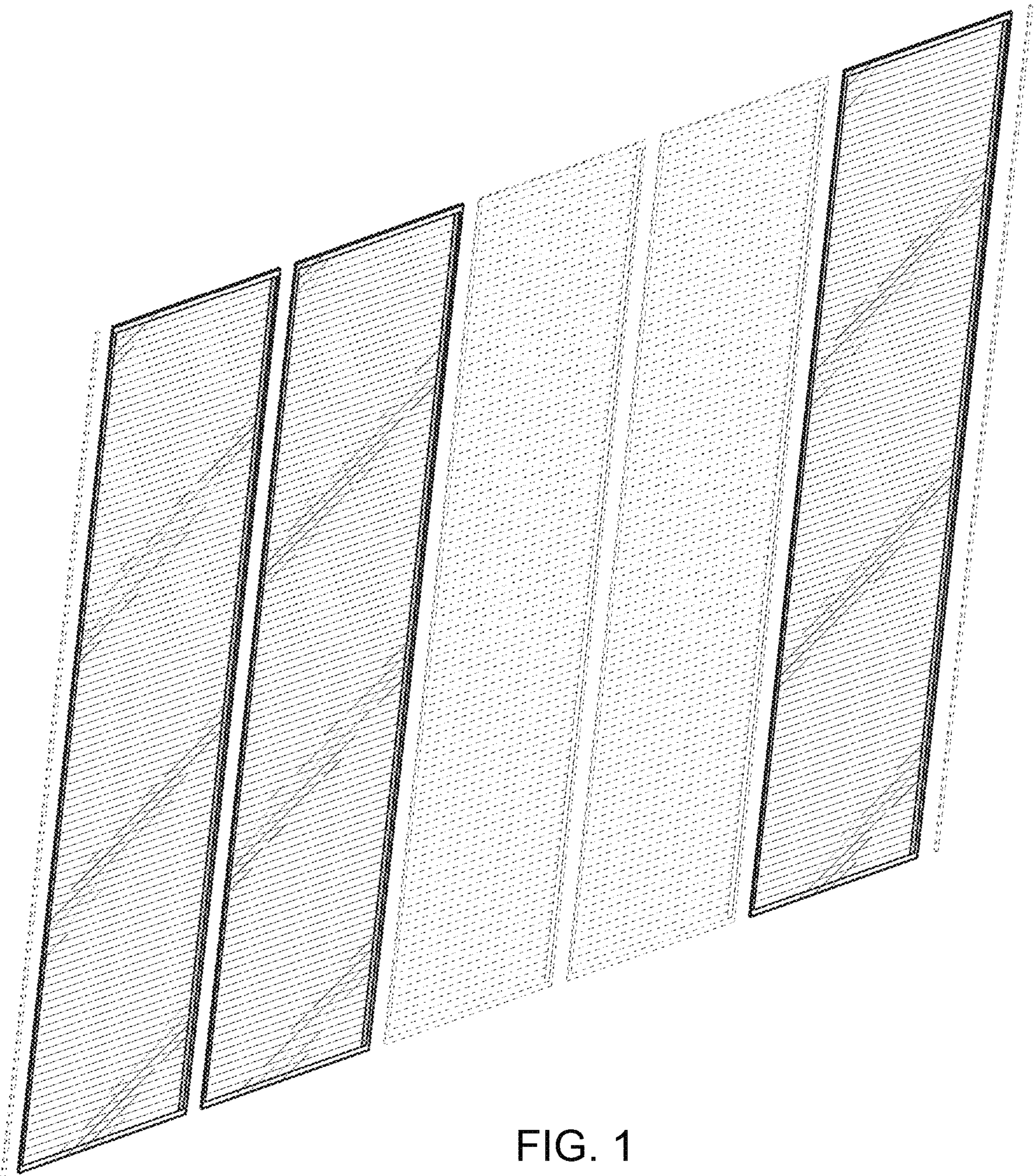


FIG. 1

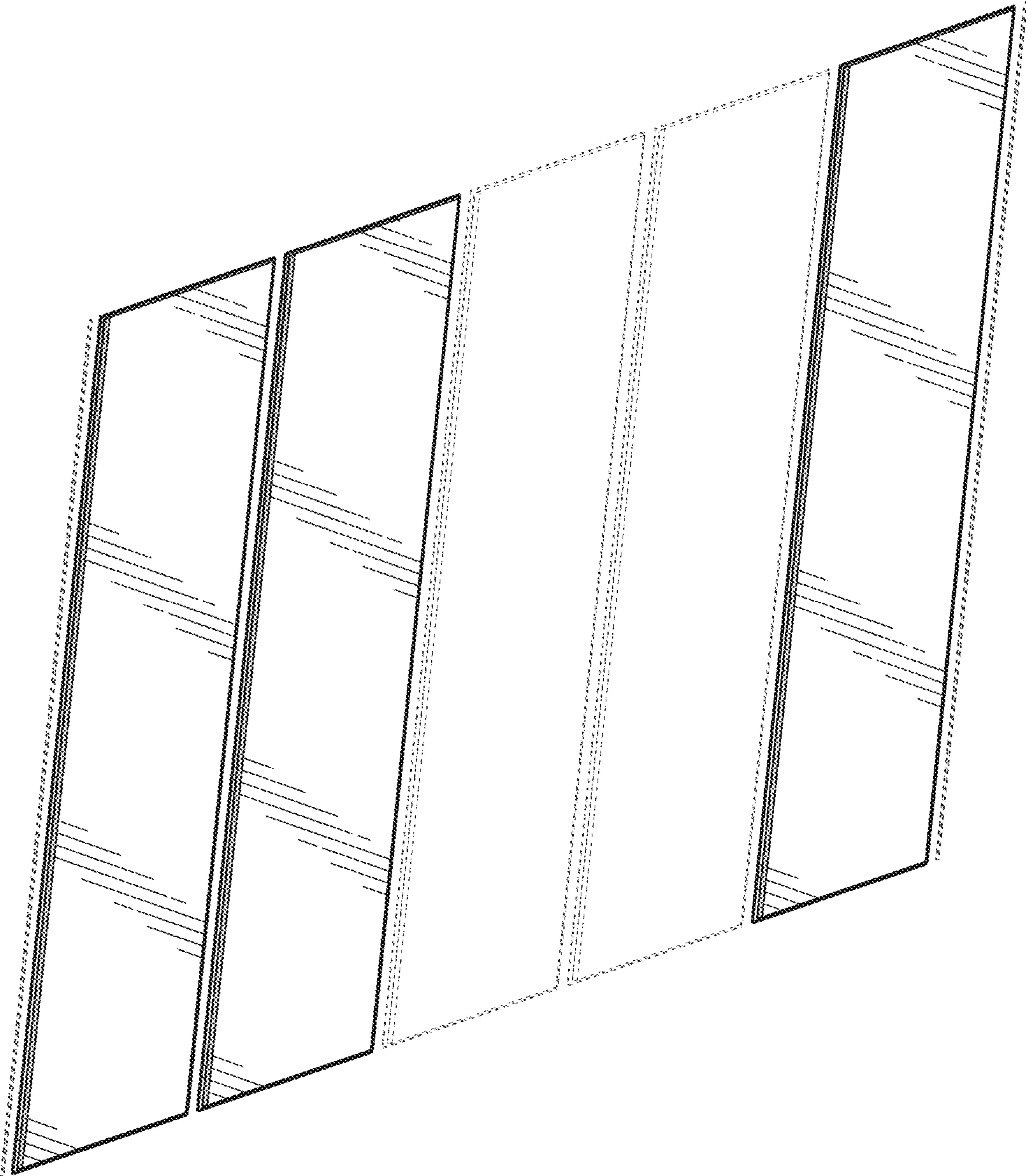


FIG. 2

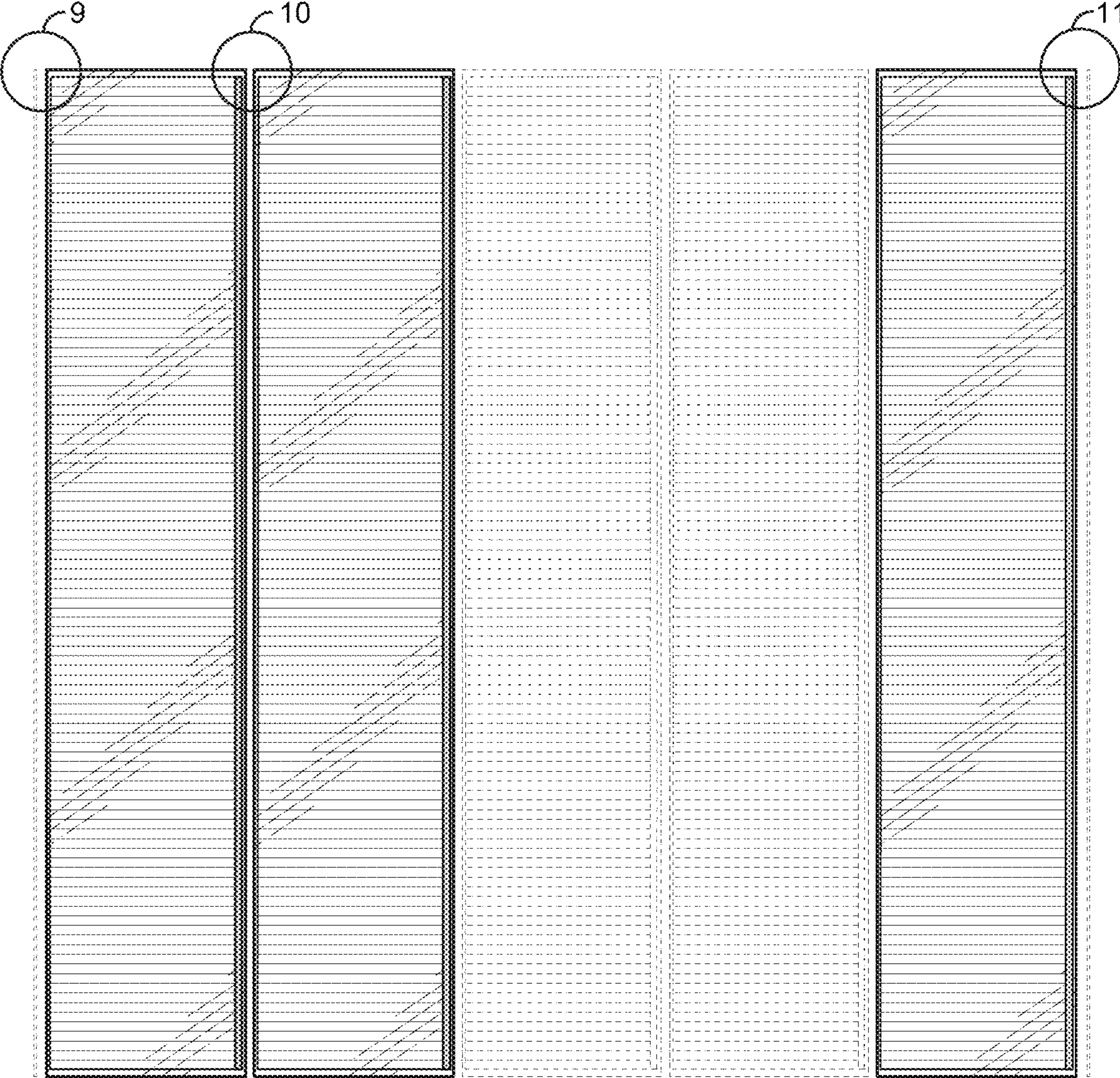


FIG. 3

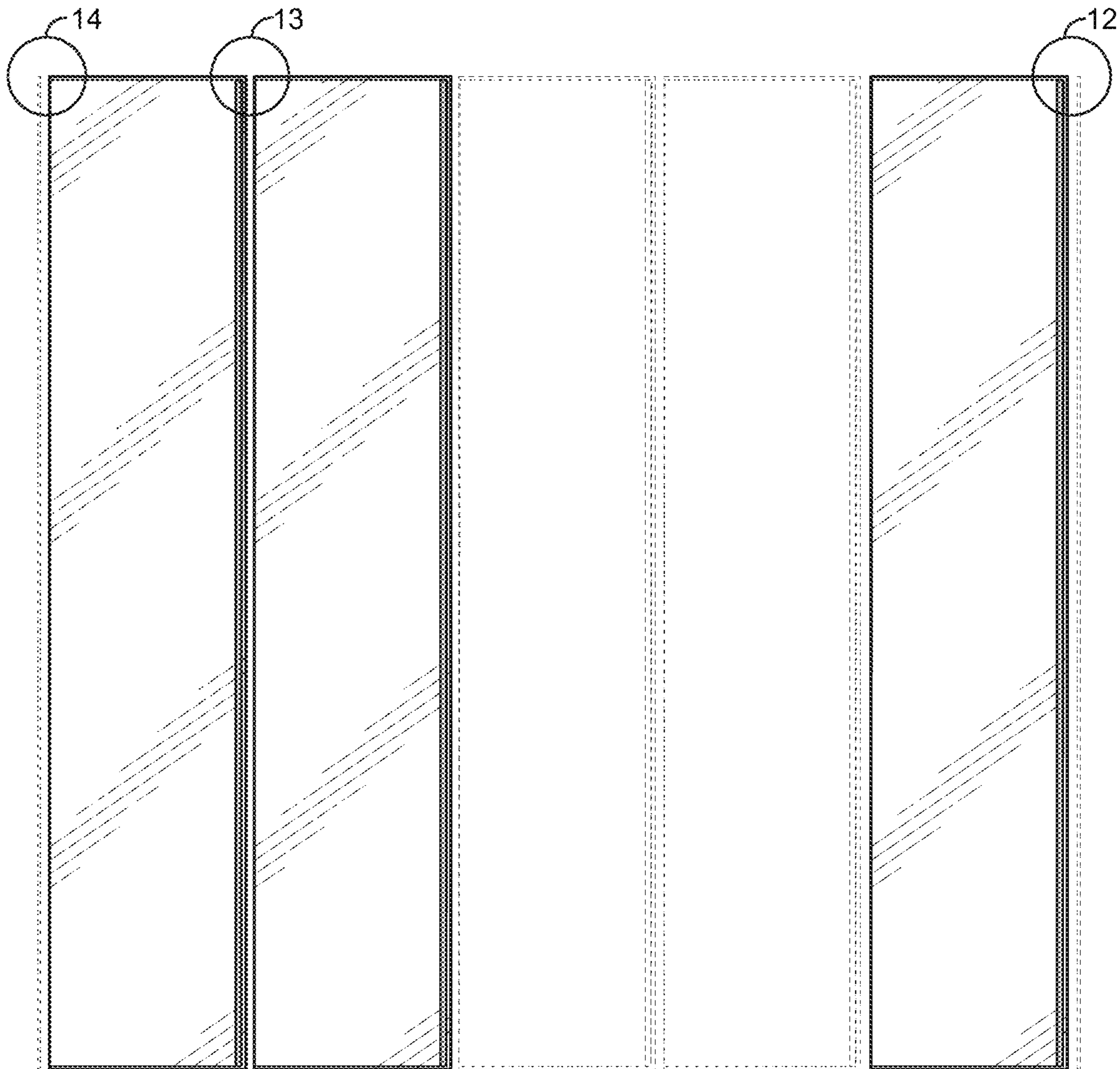


FIG. 4

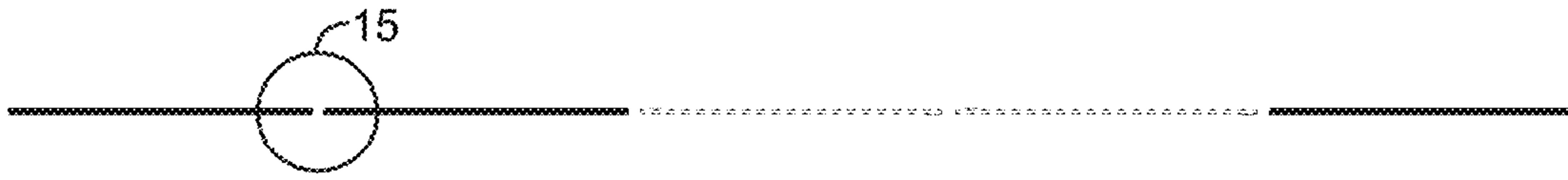


FIG. 5



FIG. 6



FIG. 7

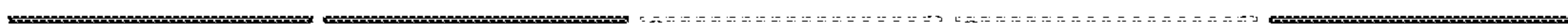


FIG. 8

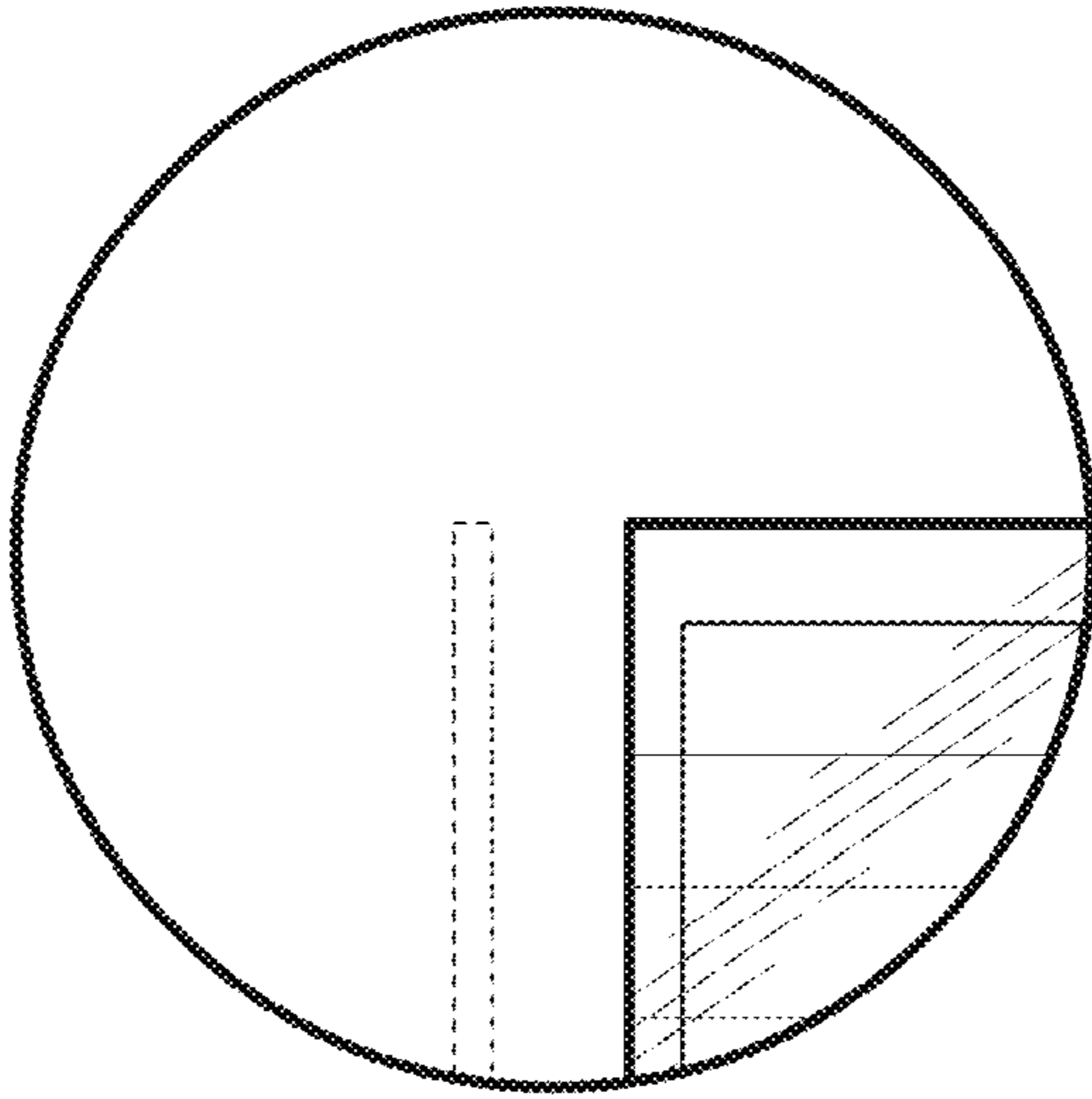


FIG. 9

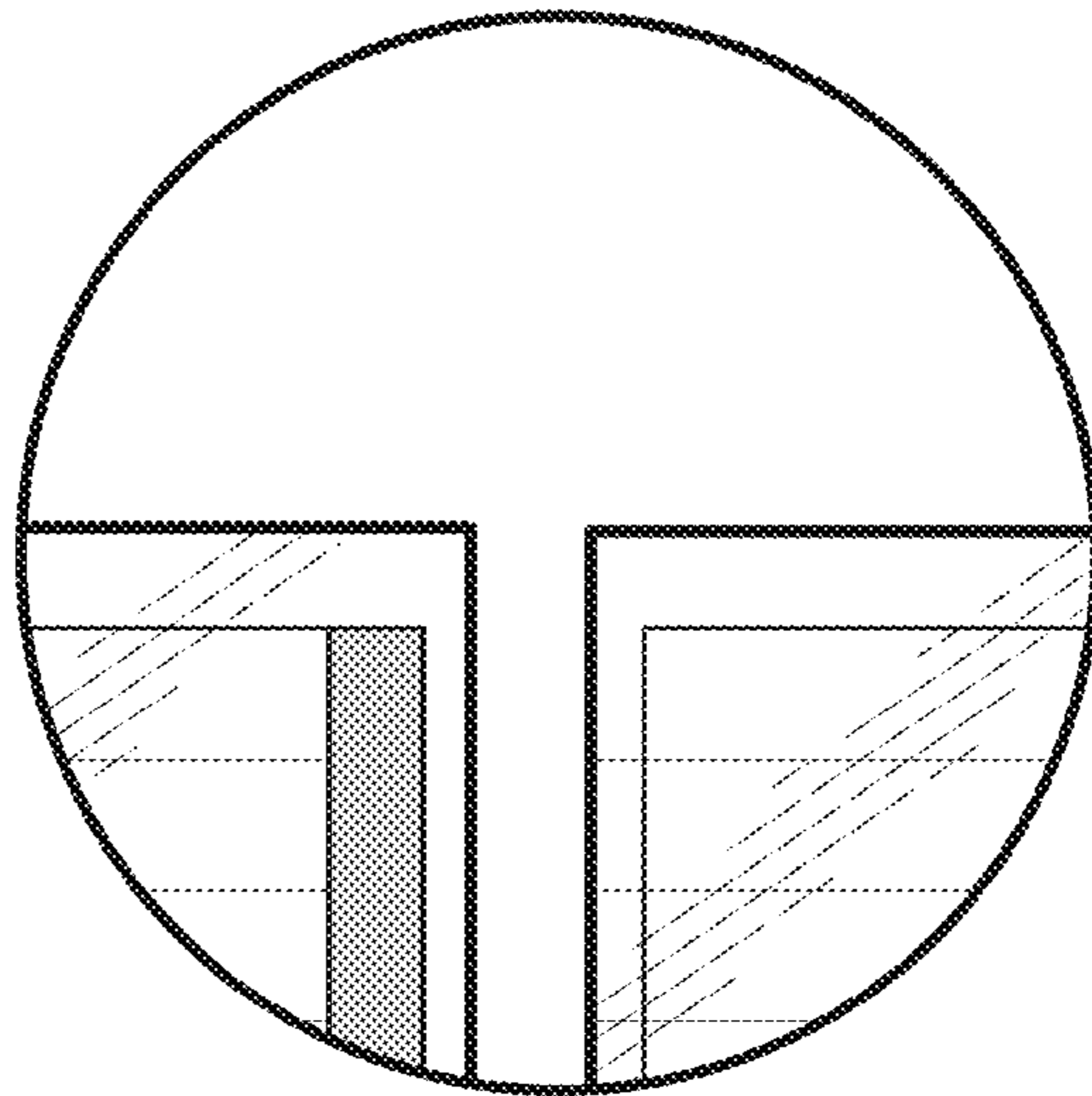


FIG. 10

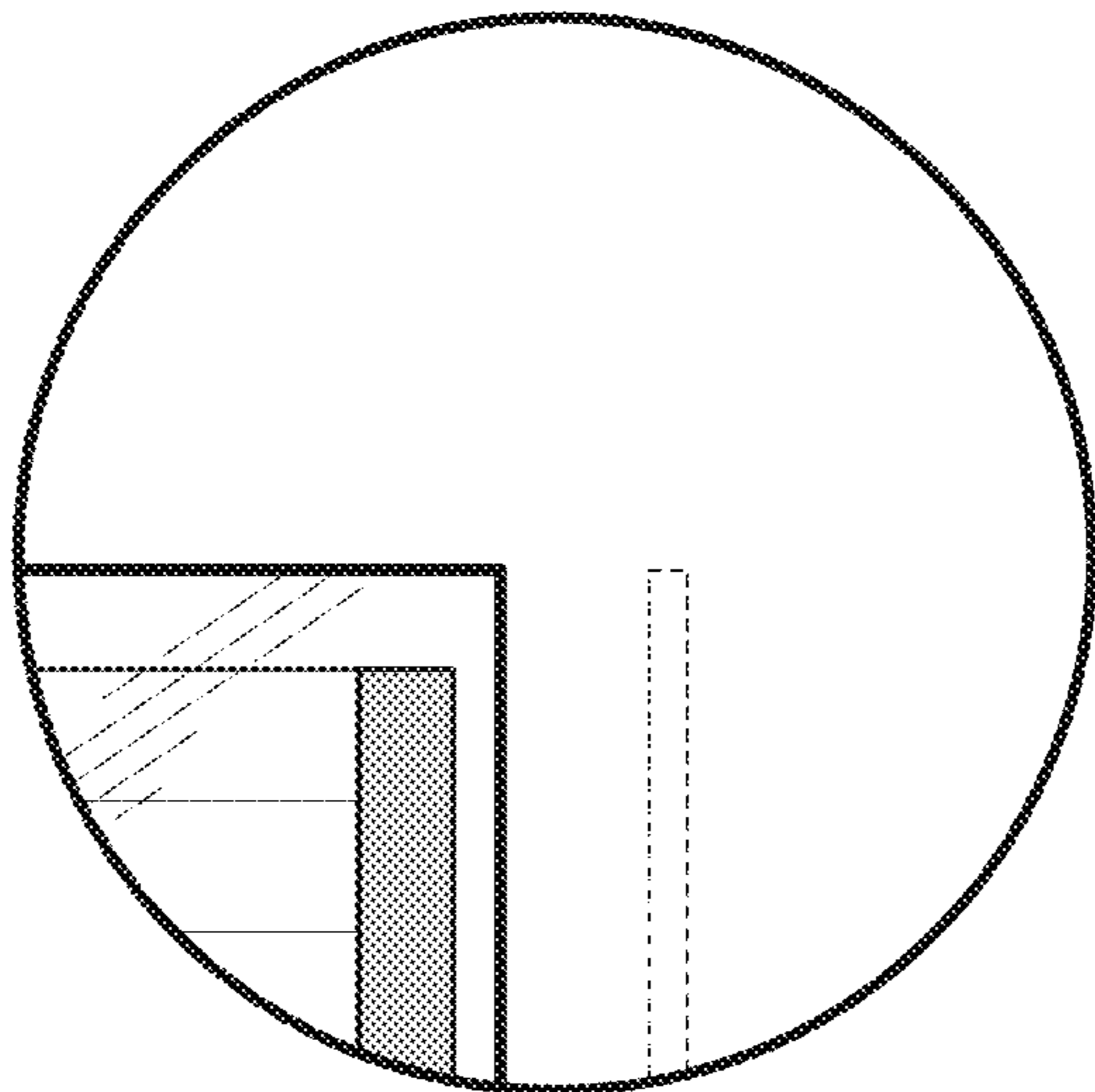


FIG. 11

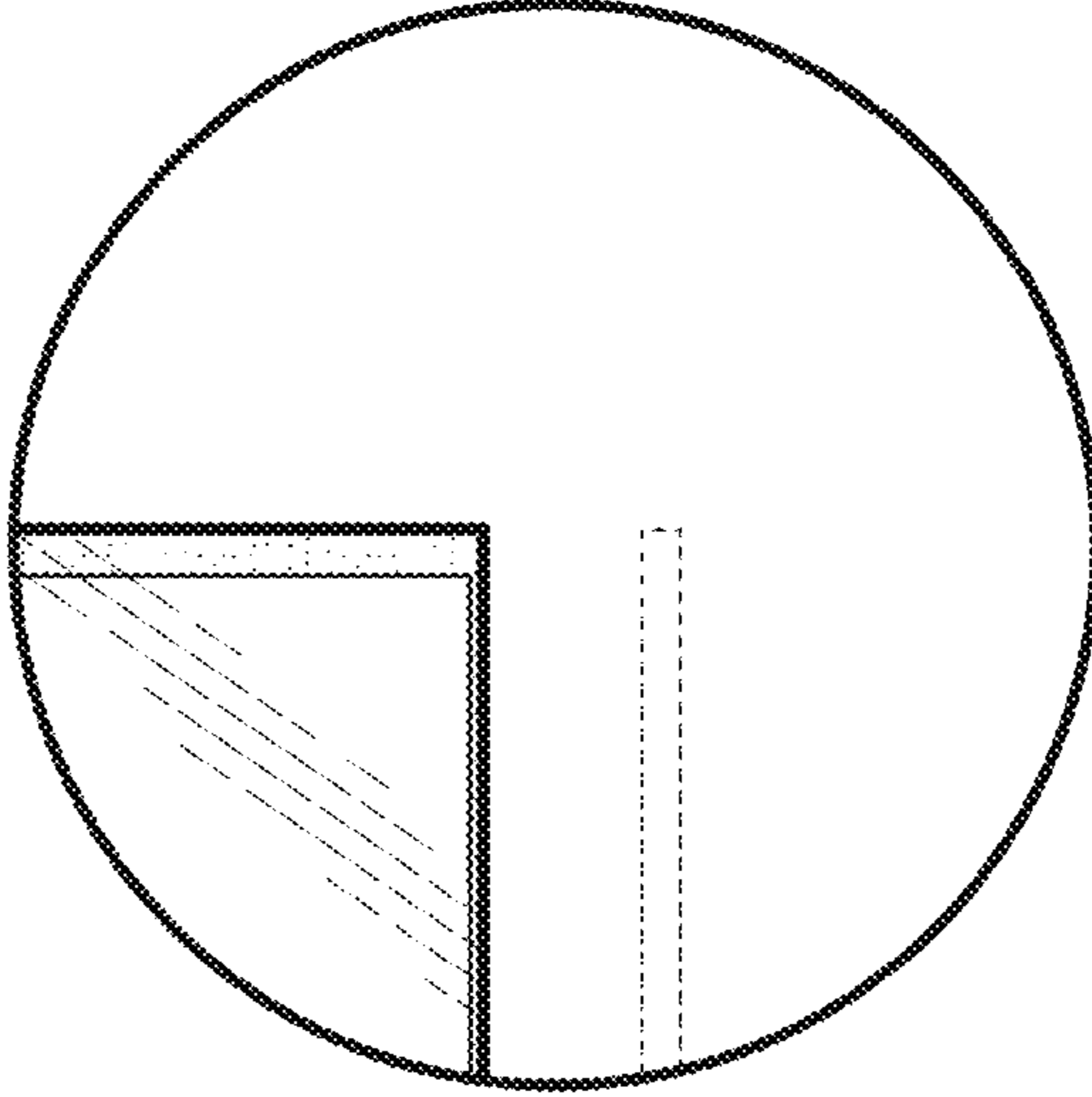


FIG. 12

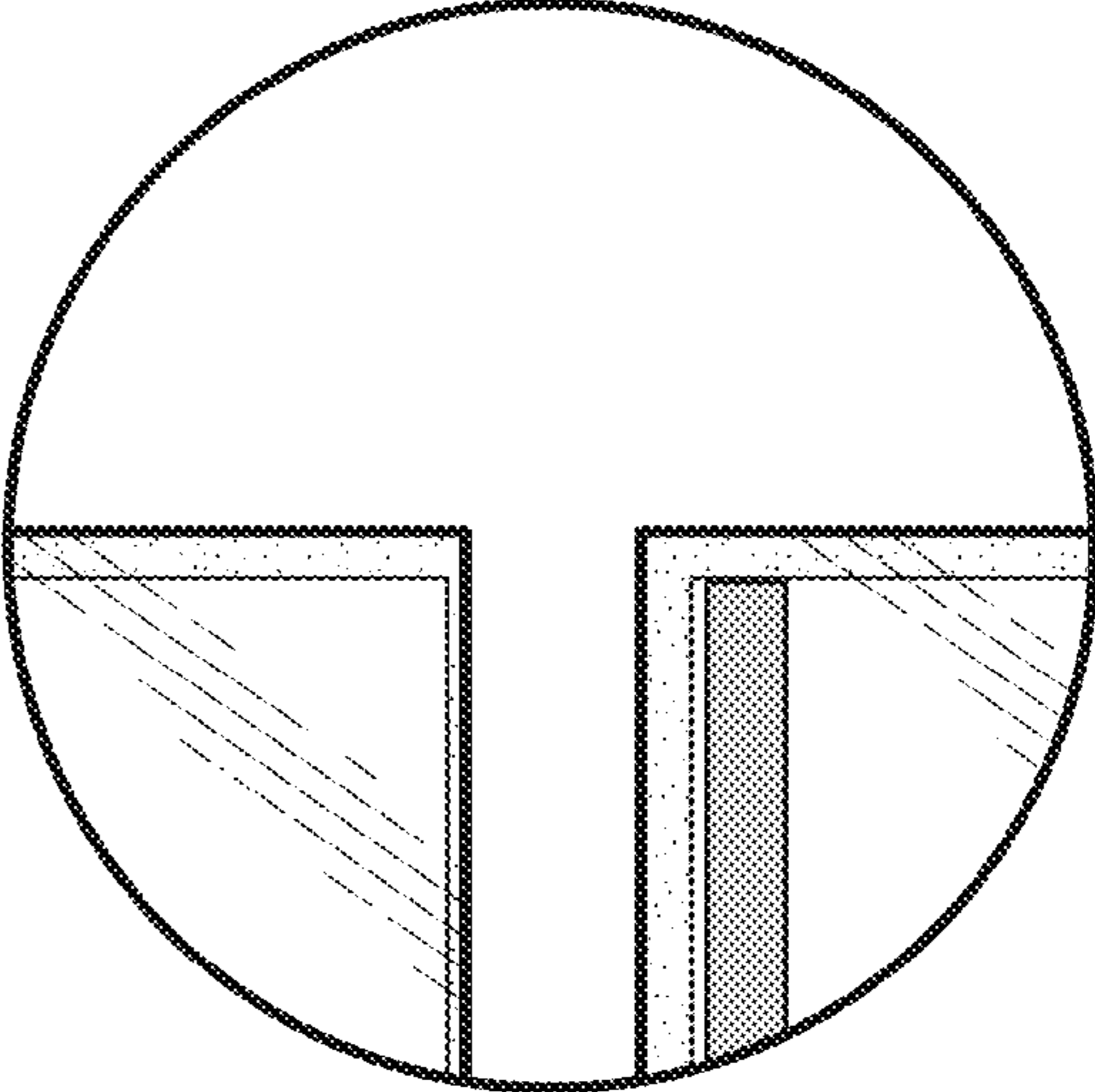


FIG. 13

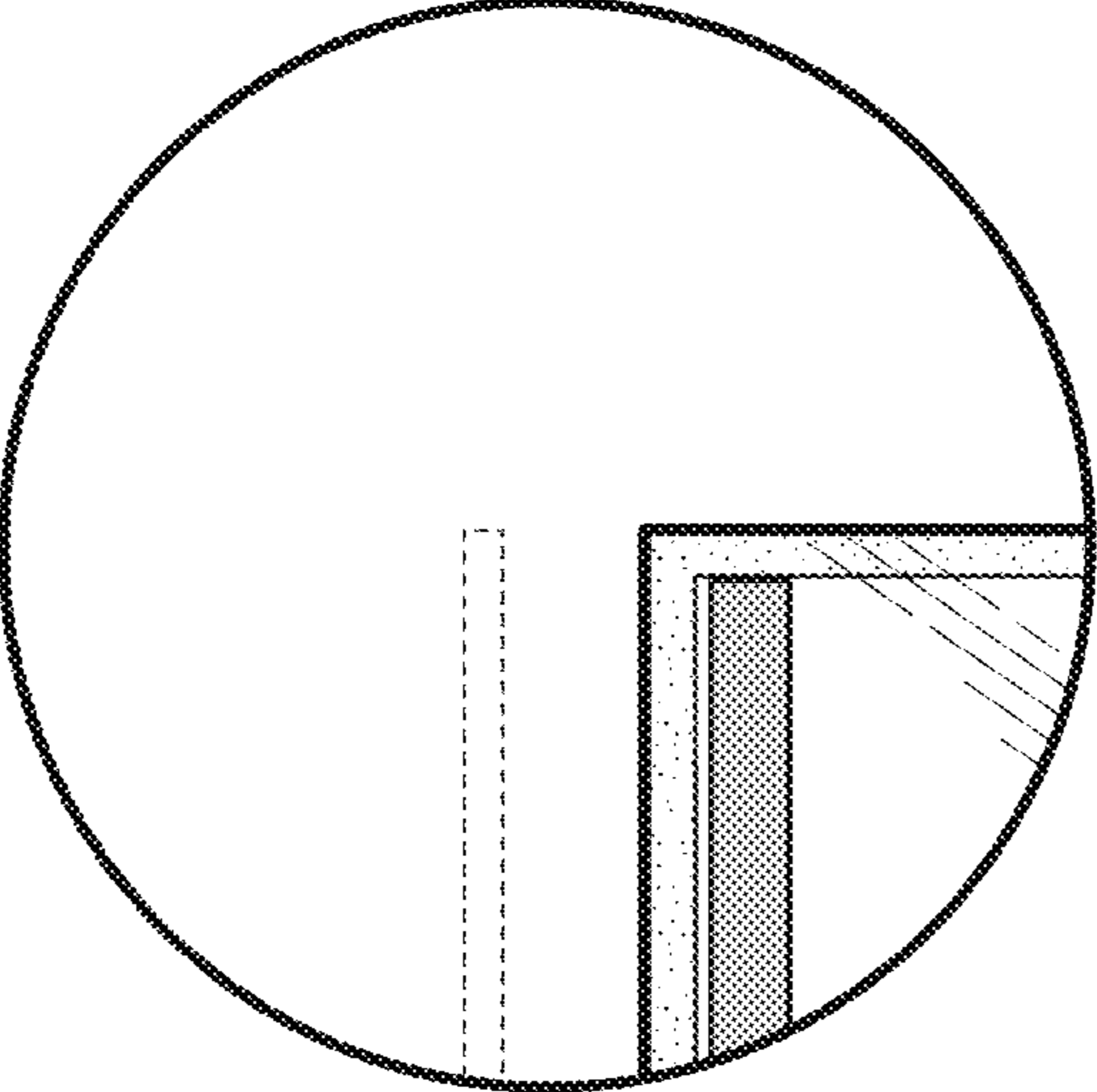


FIG. 14

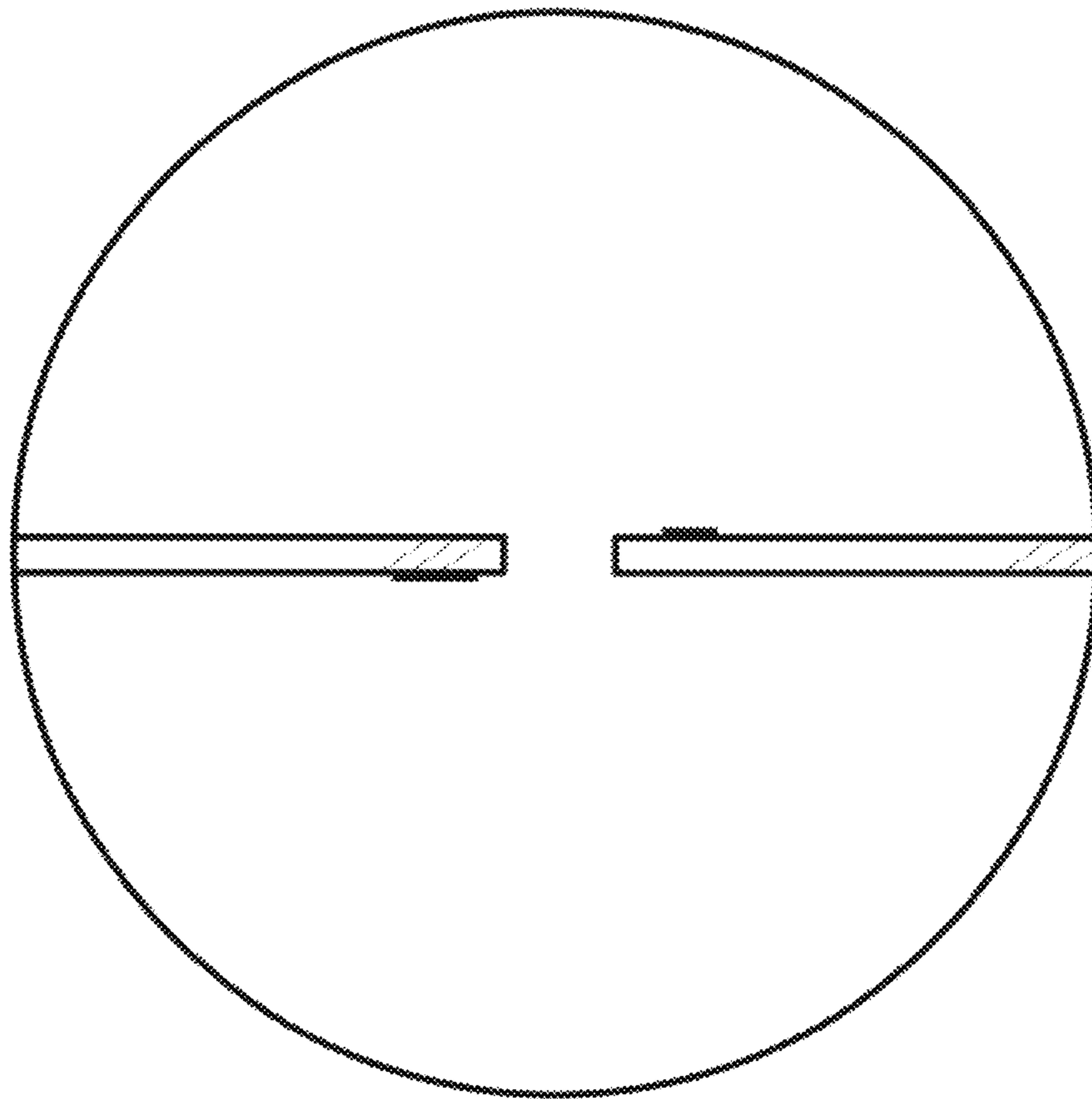


FIG. 15