



US00D875663S

(12) **United States Design Patent**
Shirouzu et al.

(10) **Patent No.:** **US D875,663 S**
(45) **Date of Patent:** **** Feb. 18, 2020**

(54) **REACTOR**

(71) Applicant: **FANUC CORPORATION**, Yamanashi (JP)

(72) Inventors: **Masatomo Shirouzu**, Yamanashi (JP);
Takafumi Kajiya, Yamanashi (JP);
Takuya Maeda, Yamanashi (JP)

(73) Assignee: **FANUC CORPORATION** (JP)

(**) Term: **15 Years**

(21) Appl. No.: **29/618,270**

(22) Filed: **Sep. 20, 2017**

(30) **Foreign Application Priority Data**

Mar. 23, 2017 (JP) 2017-005945

(51) **LOC (12) Cl.** **13-02**

(52) **U.S. Cl.**
USPC **D13/101**

(58) **Field of Classification Search**
USPC D13/101, 112, 110, 113-116, 122, 184,
D13/199; D15/3, 5, 199
CPC C07C 1/041; H01F 27/06; H01F 29/025;
H02P 13/00
See application file for complete search history.

(56) **References Cited**

U.S. PATENT DOCUMENTS

- D691,085 S * 10/2013 Shargots D13/101
- D693,300 S * 11/2013 Fukasawa D13/112
- D695,677 S * 12/2013 Ales D13/101
- D714,717 S 10/2014 Nakanoue et al.
- D735,662 S * 8/2015 Ward D13/108
- 9,620,253 B2 * 4/2017 Edwards G21C 13/02
- 2004/0080220 A1 * 4/2004 Yamamoto H02K 5/20
310/64
- 2005/0023925 A1 * 2/2005 Yamamoto H02K 15/02
310/216.001
- 2010/0316181 A1 * 12/2010 Thome F22B 1/023
376/372

(Continued)

FOREIGN PATENT DOCUMENTS

CN 301176225 S 4/2010
CN 301995454 S 7/2012

(Continued)

OTHER PUBLICATIONS

Taiwan Notice of Allowance and Search Report for Taiwan Application No. 106305602, dated Apr. 18, 2018, including English translation, 4 pages.

Primary Examiner — Bridget L Eland

(74) *Attorney, Agent, or Firm* — RatnerPrestia

(57) **CLAIM**

The ornamental design for a reactor, as shown and described.

DESCRIPTION

FIG. 1 is a perspective view of a reactor showing our new design;

FIG. 2 is a front elevational view thereof;

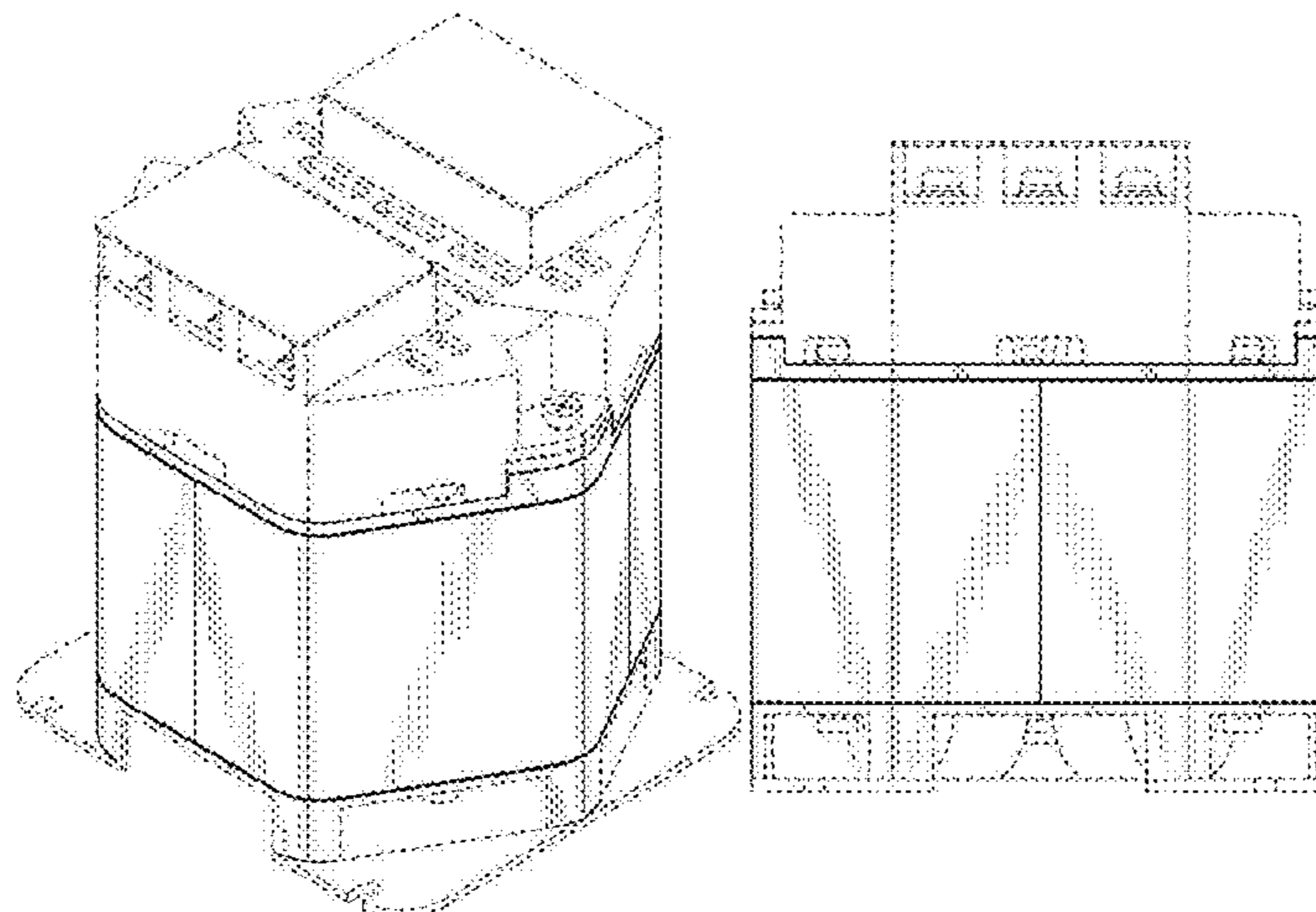
FIG. 3 is a rear elevational view thereof;

FIG. 4 is a right side elevational view thereof; the left side elevational view is a mirror image of the right side elevational view; and,

FIG. 5 is a top plan view thereof.

The broken lines immediately adjacent to the full line showing of the claimed design represent the bounds of the claimed design while all other broken lines are directed to environment and are for illustrative purposes only; the broken lines form no part of the claimed design. In addition, the unshaded surfaces in the views that directly adjoin the claimed solid line edges form no part of the claimed design.

1 Claim, 3 Drawing Sheets



(56)

References Cited

U.S. PATENT DOCUMENTS

2014/0103755 A1* 4/2014 Maeda H02K 7/04
310/51
2017/0011842 A1 1/2017 Ishigaki et al.
2017/0154718 A1 6/2017 Maeda et al.
2017/0372828 A1* 12/2017 Shirouzu H01F 27/06
2018/0025830 A1* 1/2018 Tsukada H01F 27/22
336/198
2018/0068776 A1* 3/2018 Maeda H01F 27/266
2018/0068783 A1* 3/2018 Maeda H01F 27/04
2018/0090262 A1* 3/2018 Tsukada H01F 41/076
2018/0122564 A1* 5/2018 Tsukada H01F 27/02
2018/0182529 A1* 6/2018 Shirouzu H01F 3/12
2018/0182540 A1* 6/2018 Shirouzu H01F 30/04
2018/0204667 A1* 7/2018 Tsukada H01F 3/14
2018/0233265 A1* 8/2018 Tsukada H01F 3/14
2018/0233275 A1* 8/2018 Tsukada H01F 3/14
2018/0254135 A1* 9/2018 Tsukada H01F 27/025
2018/0261371 A1* 9/2018 Tsukada H01F 27/025
2018/0261374 A1* 9/2018 Tsukada H01F 27/085
2018/0268991 A1* 9/2018 Tsukada H01F 27/24
2018/0277295 A1* 9/2018 Shirouzu H01F 27/245
2018/0311640 A1* 11/2018 Yoshida B01J 19/24
2018/0336984 A1* 11/2018 Yoshida H01F 3/14
2018/0358165 A1* 12/2018 Yoshida H01F 3/14
2018/0366252 A1* 12/2018 Yoshida H01F 3/14
2018/0366268 A1* 12/2018 Yoshida H01F 37/00

2019/0013134 A1* 1/2019 Yoshida H01F 27/28
2019/0013136 A1* 1/2019 Tsukada H01F 27/263
2019/0013137 A1* 1/2019 Shirouzu H01F 27/263
2019/0013139 A1* 1/2019 Shirouzu H01F 27/24
2019/0019614 A1* 1/2019 Yoshida H01F 3/14
2019/0027299 A1* 1/2019 Yoshida H01F 27/24
2019/0035530 A1* 1/2019 Yoshida H01F 27/26
2019/0035531 A1* 1/2019 Yoshida H01F 27/28
2019/0035537 A1* 1/2019 Yoshida H01F 27/306
2019/0035539 A1* 1/2019 Yoshida H01F 27/33

FOREIGN PATENT DOCUMENTS

| | | |
|----|---------------|---------|
| CN | 301995456 S | 7/2012 |
| CN | 302836056 S | 6/2014 |
| CN | 302895052 S | 7/2014 |
| CN | 302992922 S | 11/2014 |
| CN | 303041636 S | 12/2014 |
| JP | 53073352 A | 6/1978 |
| JP | 2005192044 A1 | 7/2005 |
| JP | 2008177500 A | 7/2008 |
| JP | 2010252539 A | 11/2010 |
| JP | 2013074084 A | 4/2013 |
| JP | 2015159657 A | 9/2015 |
| JP | 2017059805 A | 3/2017 |
| JP | 2017103269 A | 6/2017 |
| JP | 2017139438 A | 8/2017 |

* cited by examiner

FIG. 1

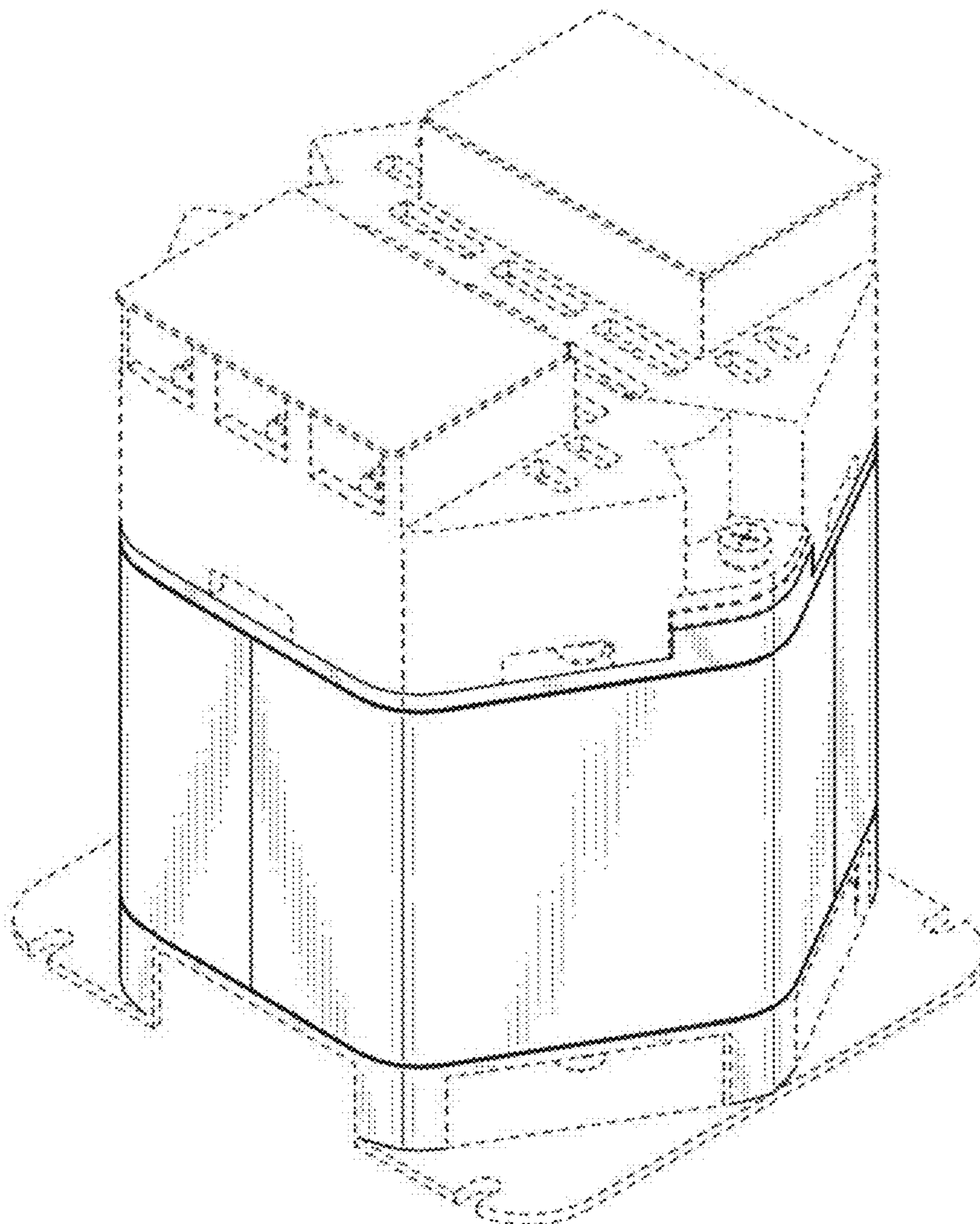


FIG. 2

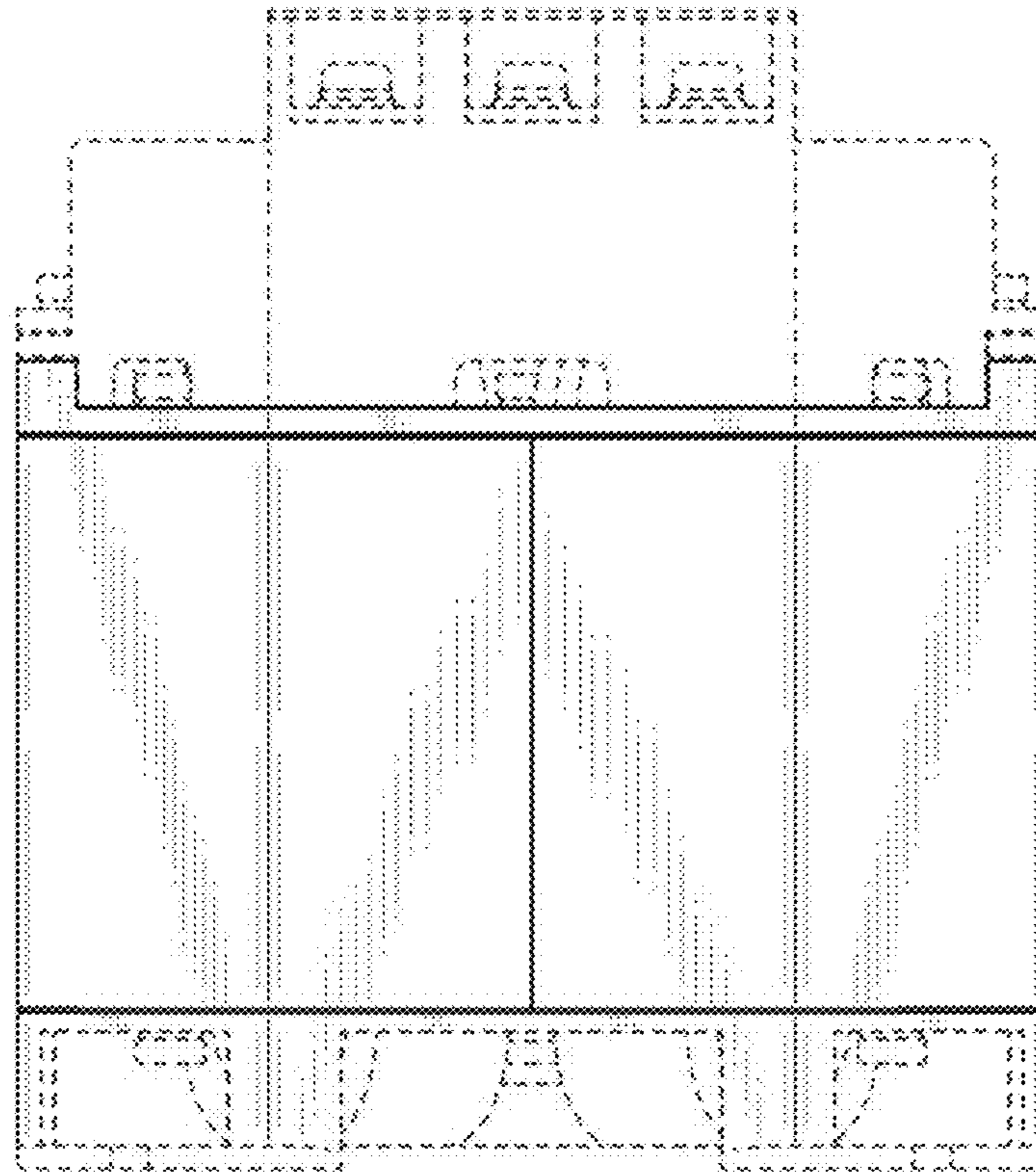


FIG. 3

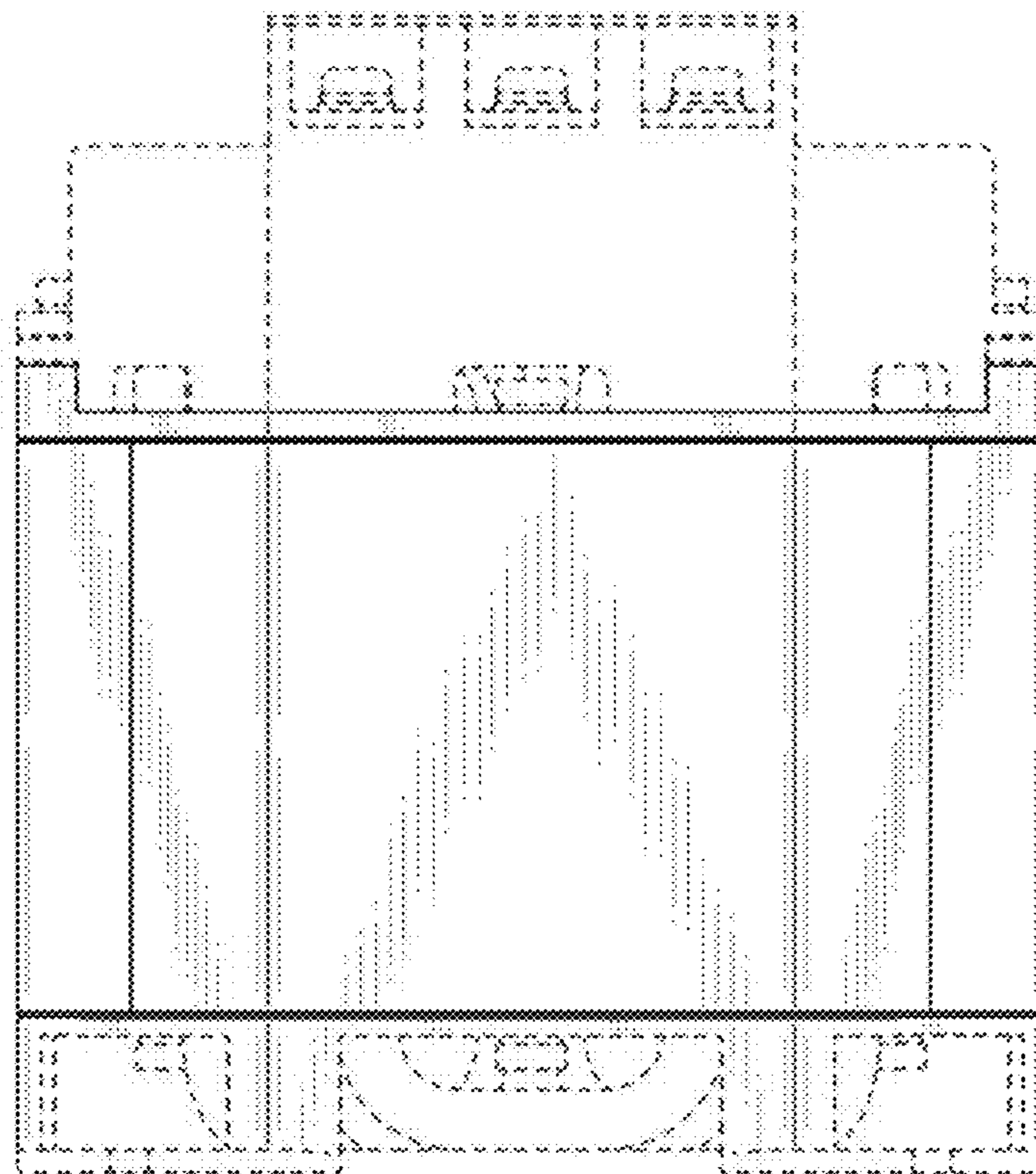


FIG. 4

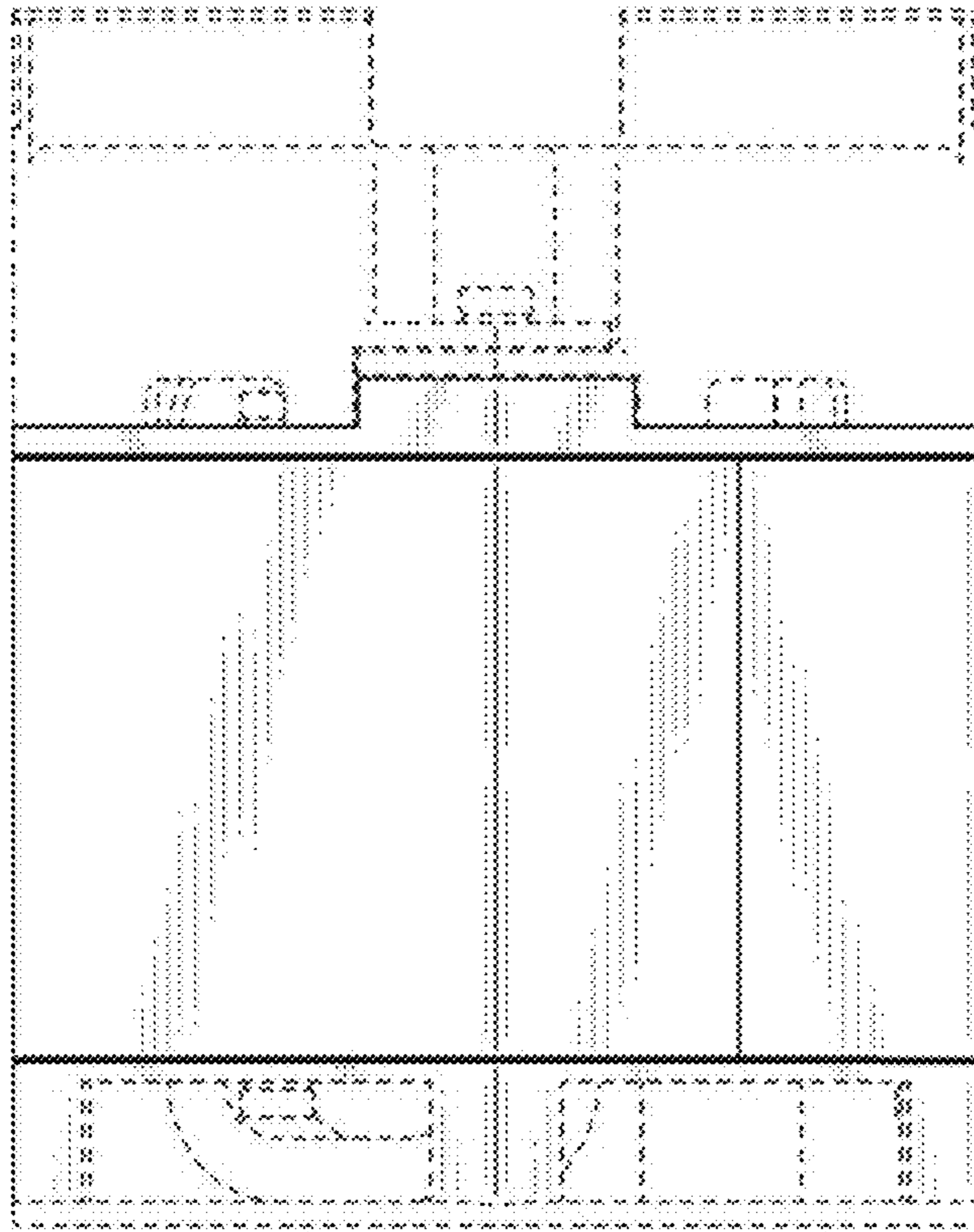


FIG. 5

