



US00D875659S

(12) **United States Design Patent**
Takemori

(10) **Patent No.:** **US D875,659 S**

(45) **Date of Patent:** **** *Feb. 18, 2020**

(54) **AUTOMOBILE TIRE**

FOREIGN PATENT DOCUMENTS

(71) Applicant: **THE YOKOHAMA RUBBER CO., LTD.**, Minato-ku, Tokyo (JP)

JP D1543483 S 2/2016
JP D1543484 S 2/2016

(72) Inventor: **Ryohei Takemori**, Hiratsuka (JP)

OTHER PUBLICATIONS

(73) Assignee: **THE YOKOHAMA RUBBER CO., LTD.**, Minato-ku, Tokyo (JP)

Yokohama Geolandar [Apr. 12, 2019] found online [Apr. 12, 2019]—<https://www.amazon.com/Yokohama-Tires-05521-Geolandar-G055e/dp/B0110A0IR4>.*

(*) Notice: This patent is subject to a terminal disclaimer.

(Continued)

(**) Term: **15 Years**

Primary Examiner — Lakiya G Rogers

Assistant Examiner — John A Voytek

(21) Appl. No.: **29/656,736**

(74) *Attorney, Agent, or Firm* — Banner & Witcoff, Ltd.

(22) Filed: **Jul. 16, 2018**

(57) **CLAIM**

(30) **Foreign Application Priority Data**

The ornamental design for an automobile tire, as shown and described.

Jan. 16, 2018 (JP) 2018-000608

(51) **LOC (12) Cl.** **12-15**

DESCRIPTION

(52) **U.S. Cl.**

USPC **D12/588**

(58) **Field of Classification Search**

USPC D12/568, 574–604

CPC Y10T 152/10027; B60C 1/0016; B60C

11/0306; B60C 11/0302; B60C 3/06;

B60C 9/17

See application file for complete search history.

FIG. 1 is a perspective view of an automobile tire showing my new design;

FIG. 2 is a front view thereof;

FIG. 3 is a rear view thereof;

FIG. 4 is a right side view thereof;

FIG. 5 is a left side view thereof;

FIG. 6 is a top view thereof;

FIG. 7 is a bottom view thereof;

FIG. 8 is an enlarged perspective view thereof taken at a portion defined by lines 8-8 shown in FIG. 1;

FIG. 9 is an enlarged view thereof taken at a portion defined by lines 9-9 shown in FIG. 2; and,

FIG. 10 is an end view thereof taken at a portion defined by lines 10-10 shown in FIG. 9.

In the drawings, the broken lines depict environmental subject matter only and form no part of the claimed design.

The dot and dashed lines represents a boundary between the claimed portion and the non-claimed portion.

(56) **References Cited**

U.S. PATENT DOCUMENTS

D583,310 S * 12/2008 Dixon D12/588

D586,733 S * 2/2009 Shinohara D12/588

D604,692 S * 11/2009 Ebiko D12/587

D729,154 S * 5/2015 Kwak D12/588

D749,039 S * 2/2016 Yamakawa D12/600

D761,190 S * 7/2016 Wang D12/586

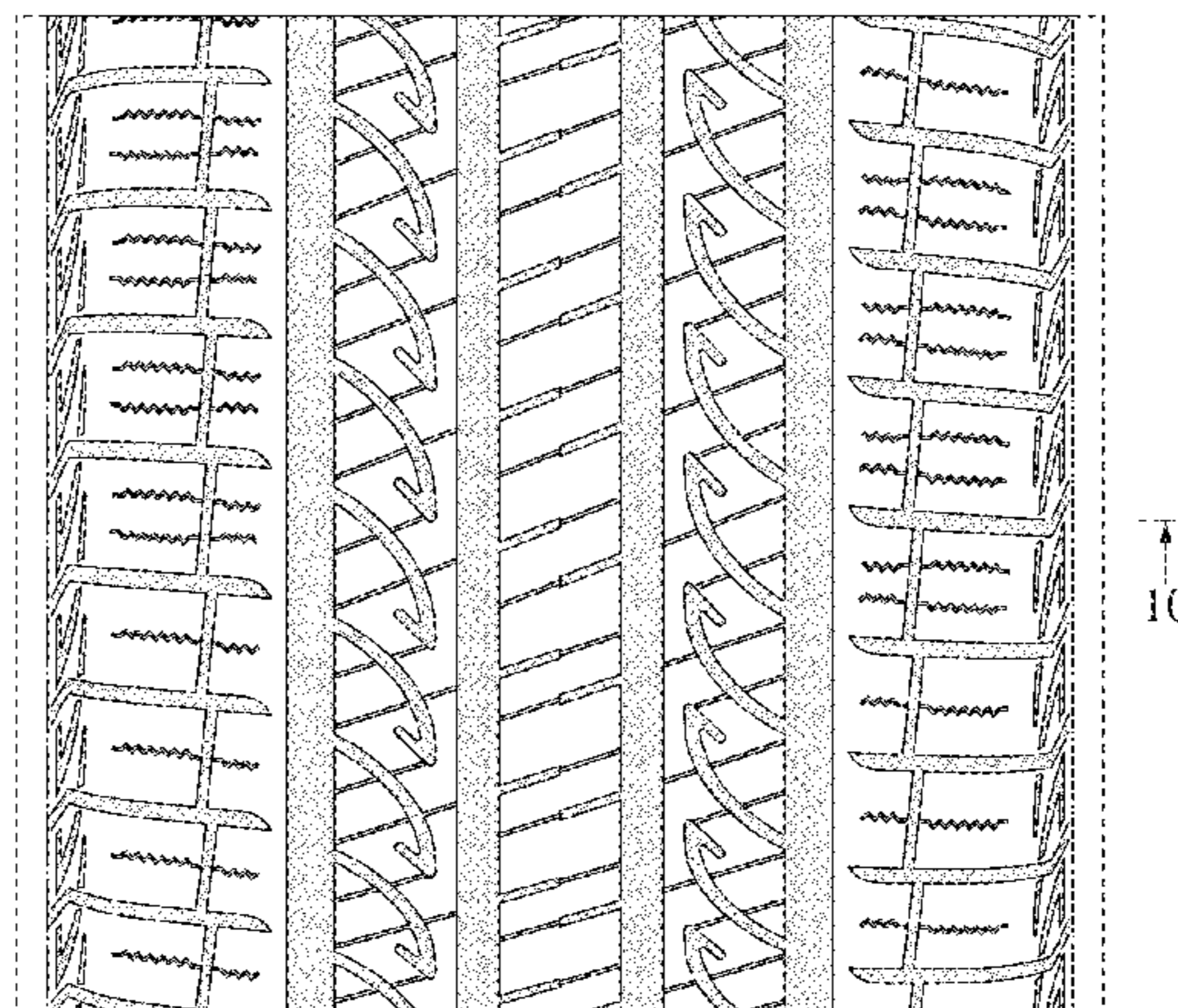
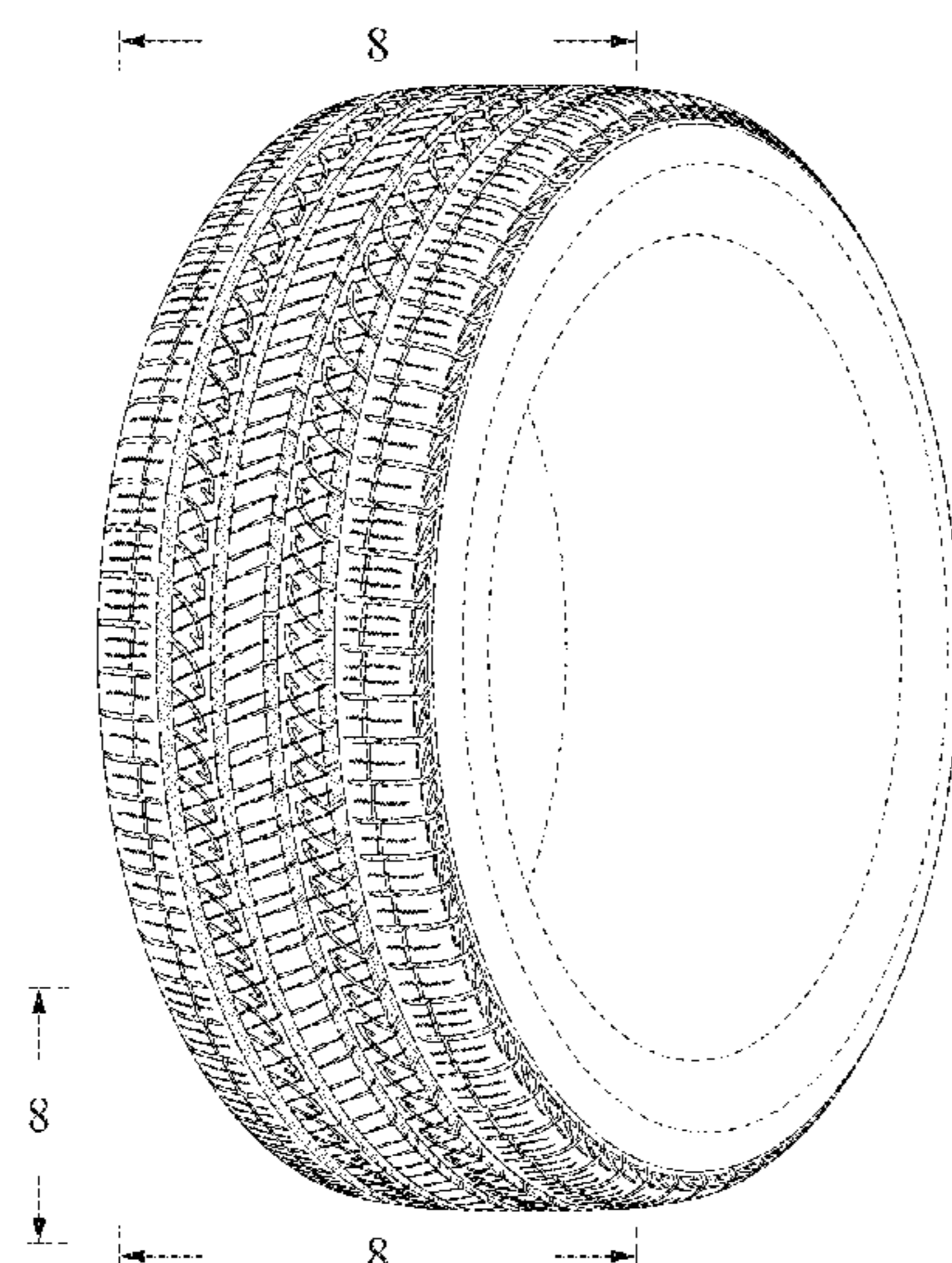
D781,778 S * 3/2017 Shinzawa D12/586

D782,400 S * 3/2017 De Giacco D12/584

D787,429 S * 5/2017 Shinzawa D12/586

(Continued)

1 Claim, 10 Drawing Sheets



(56)

References Cited

U.S. PATENT DOCUMENTS

D795,171 S * 8/2017 Suzuki D12/586
D813,148 S * 3/2018 Umstot D12/588
D813,149 S * 3/2018 Dixon D12/588

OTHER PUBLICATIONS

May 8, 2018—(JP) Notification of Reasons for Refusal—App
2018-000608.

May 8, 2018—(JP) Notification of Reasons for Refusal—App
2018-000609.

Jul. 16, 2018—Co-pending U.S. Appl. No. 29/656,735.

* cited by examiner

FIG. 1

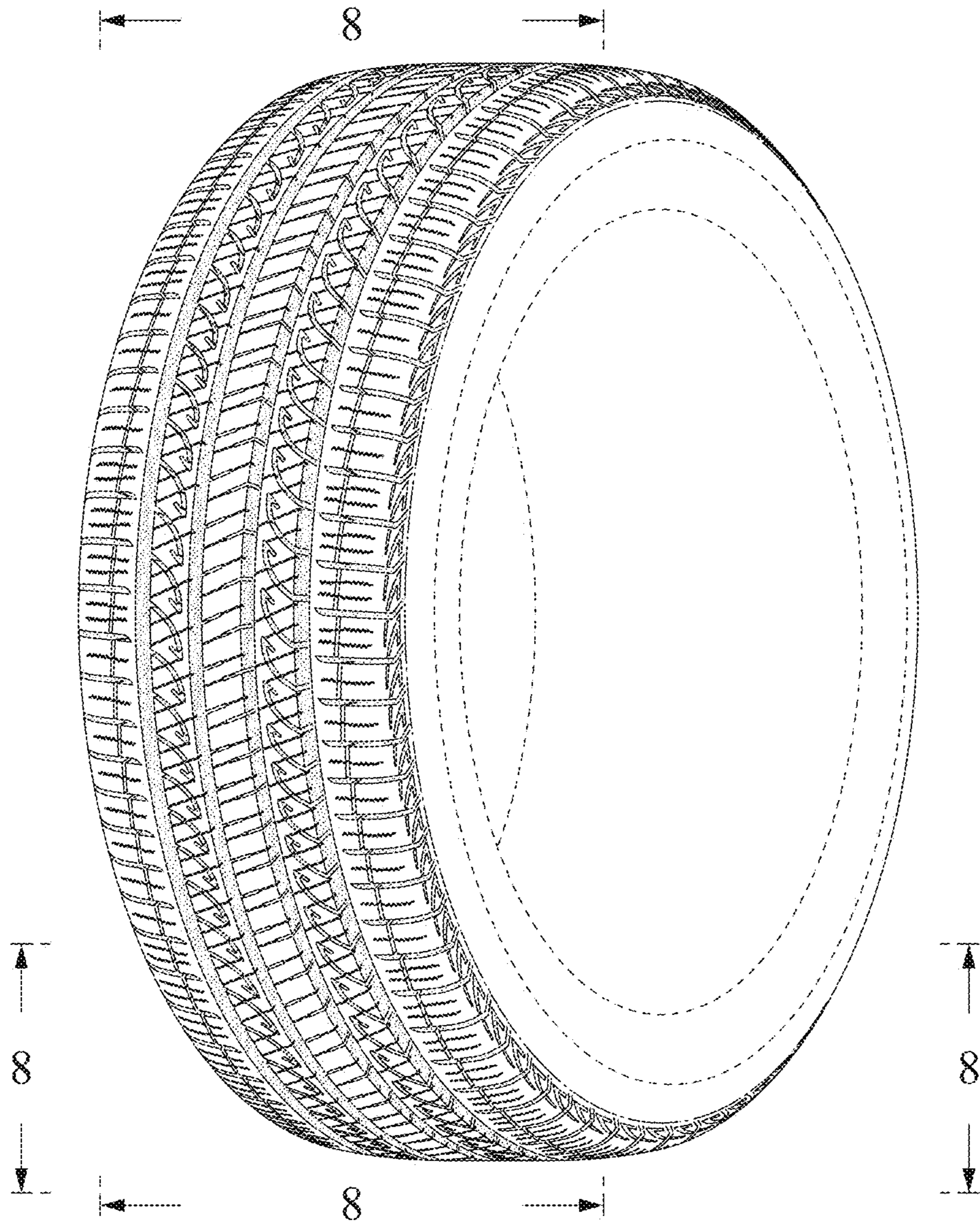


FIG. 2

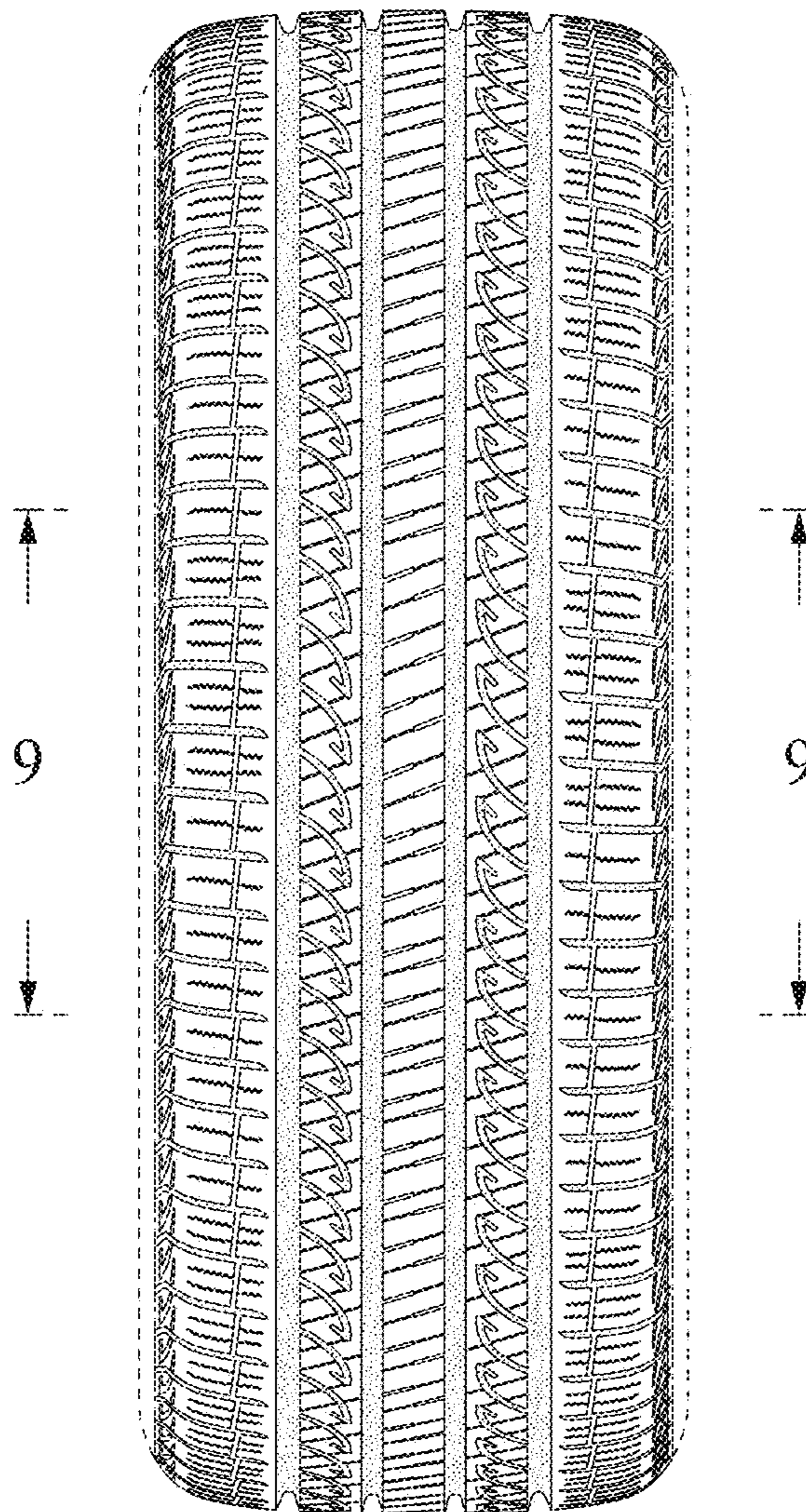


FIG. 3

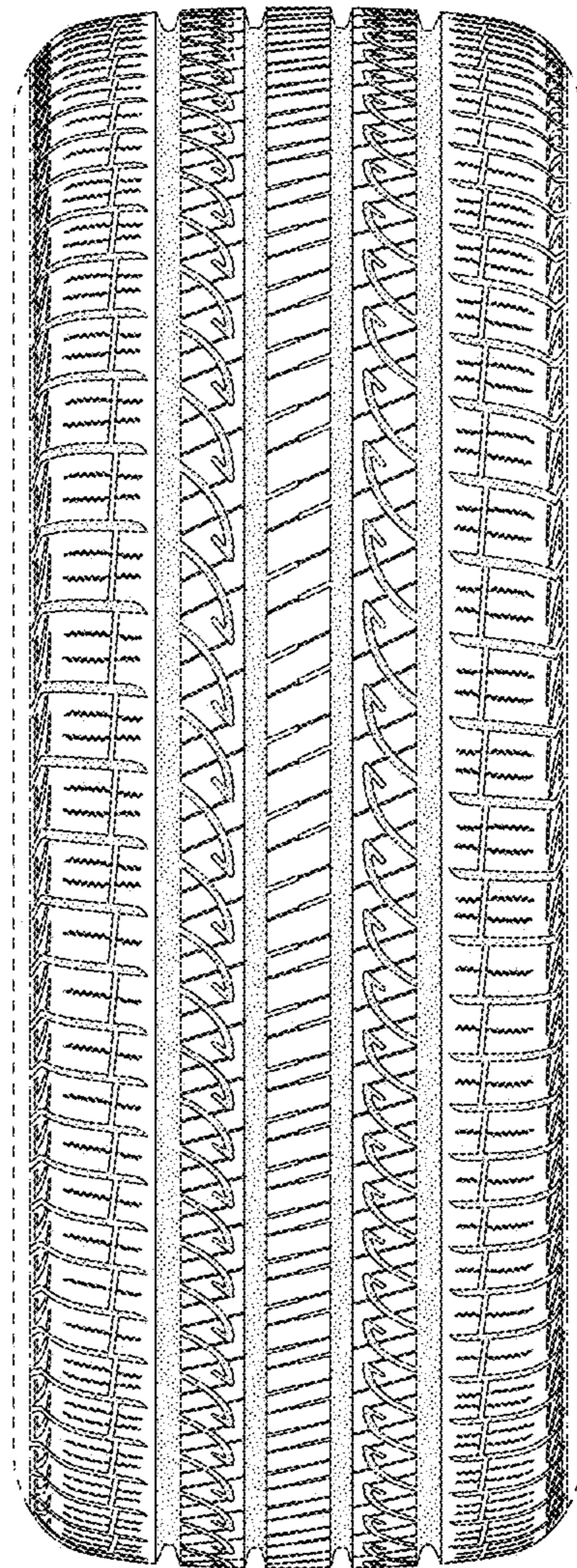


FIG. 4

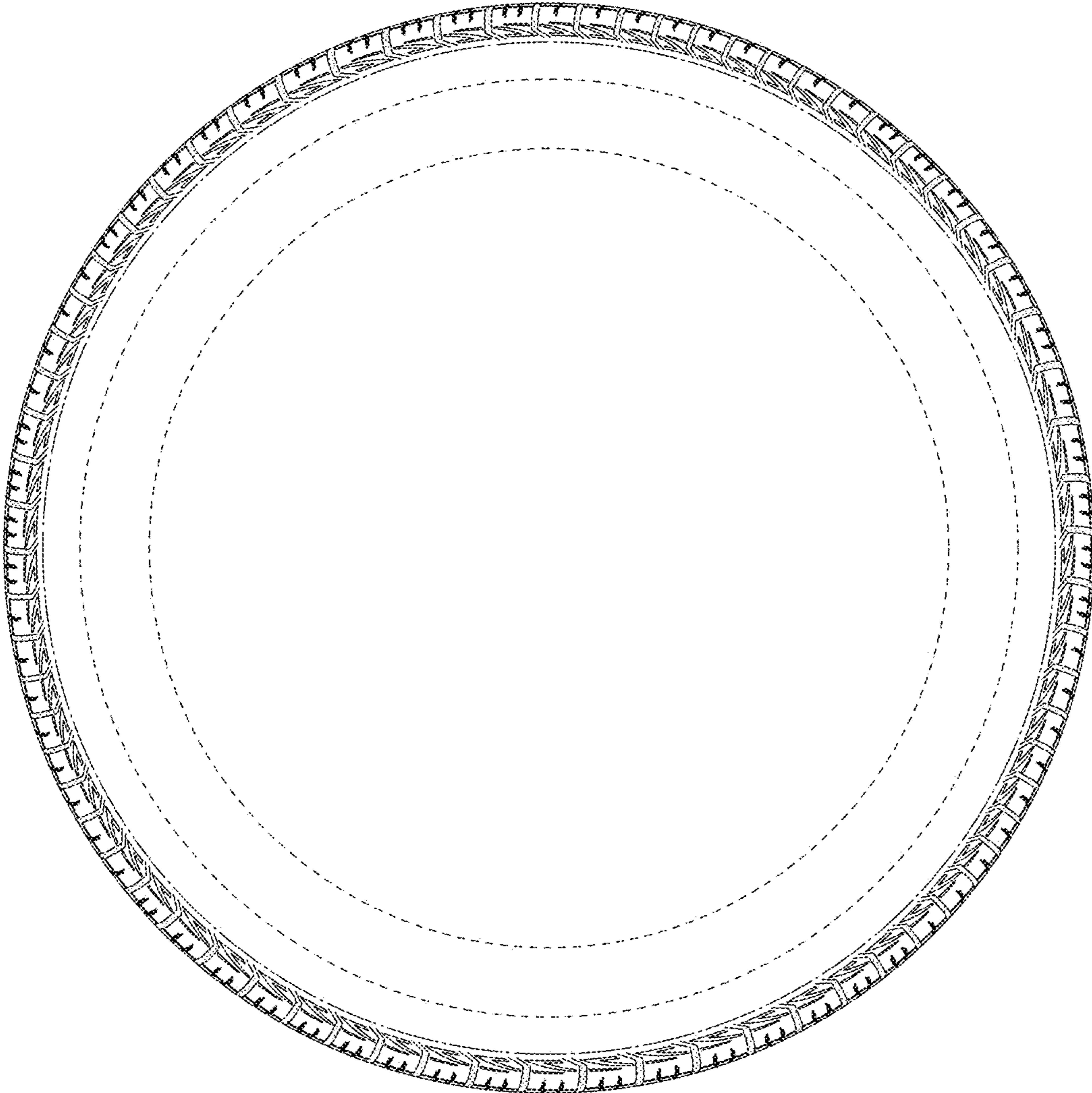


FIG. 5

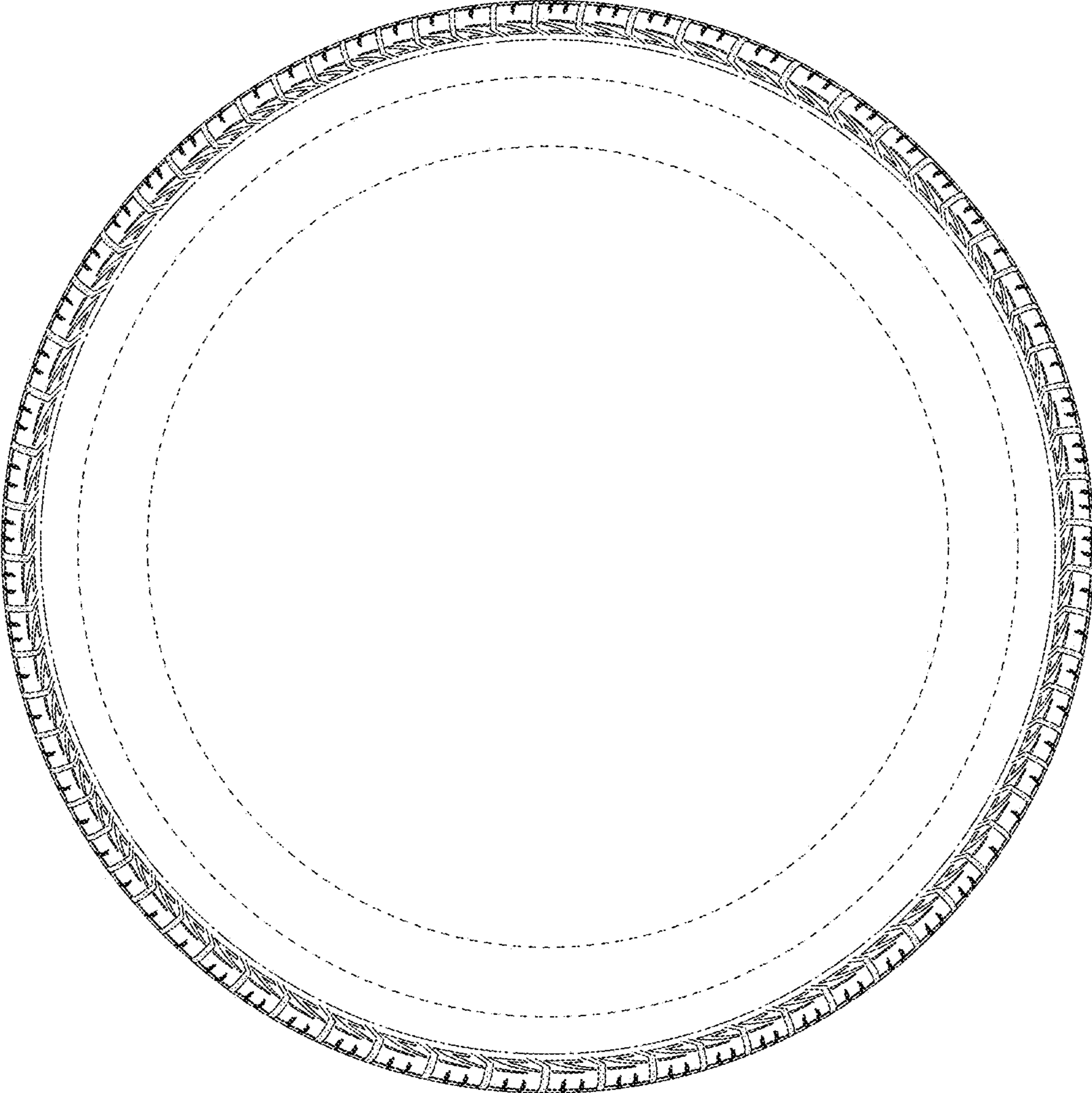


FIG. 6

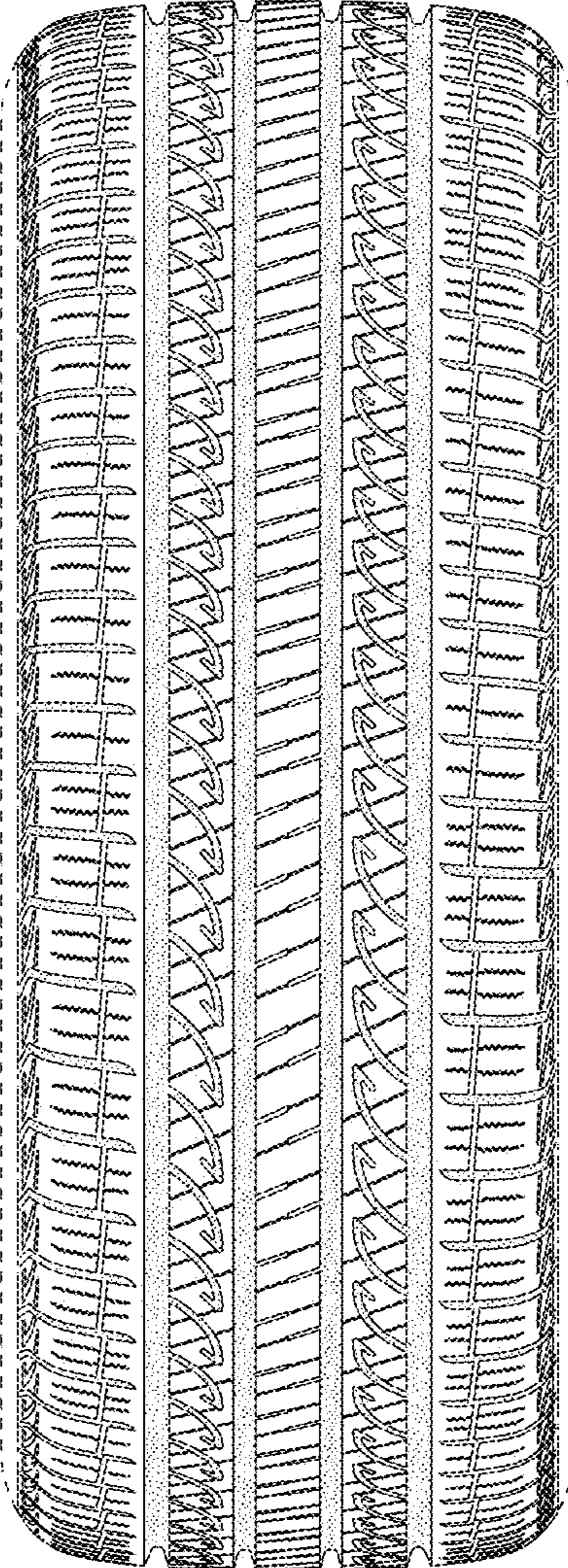


FIG. 7

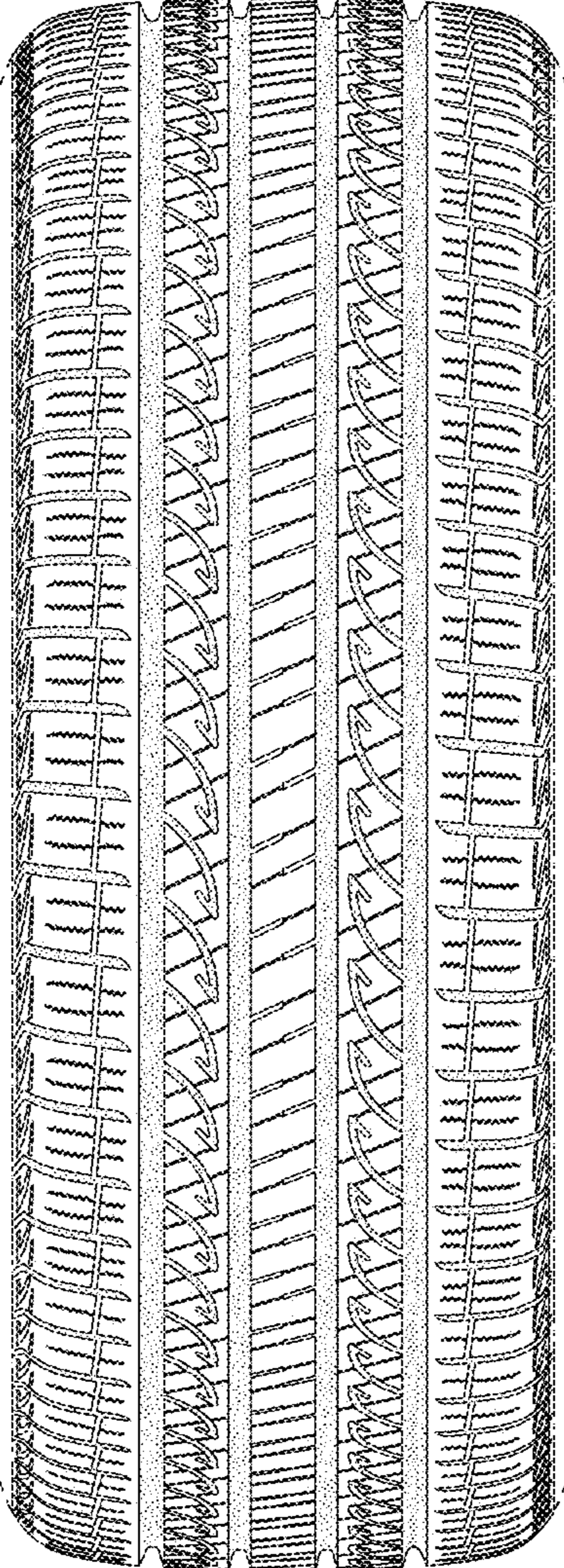


FIG. 8

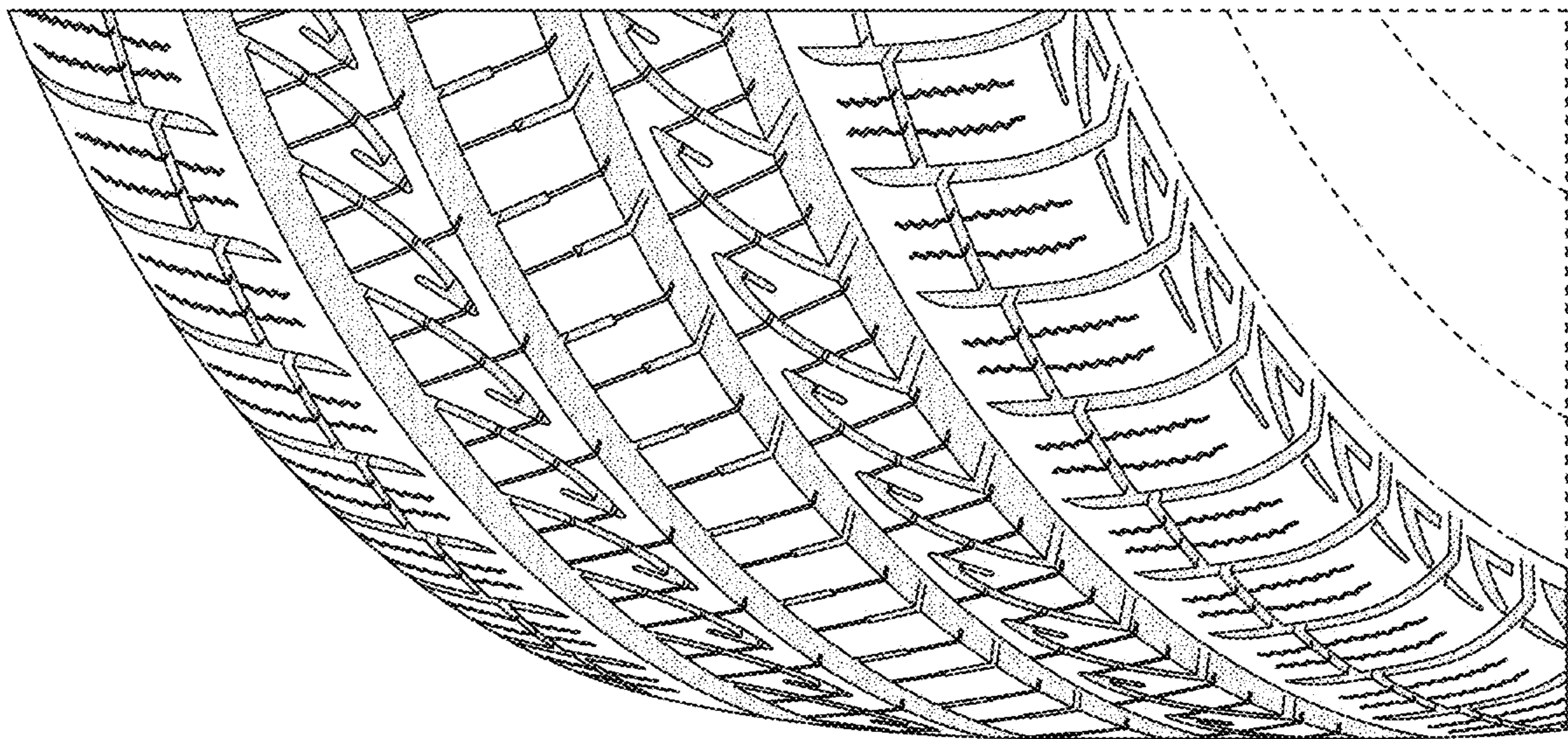


FIG. 9

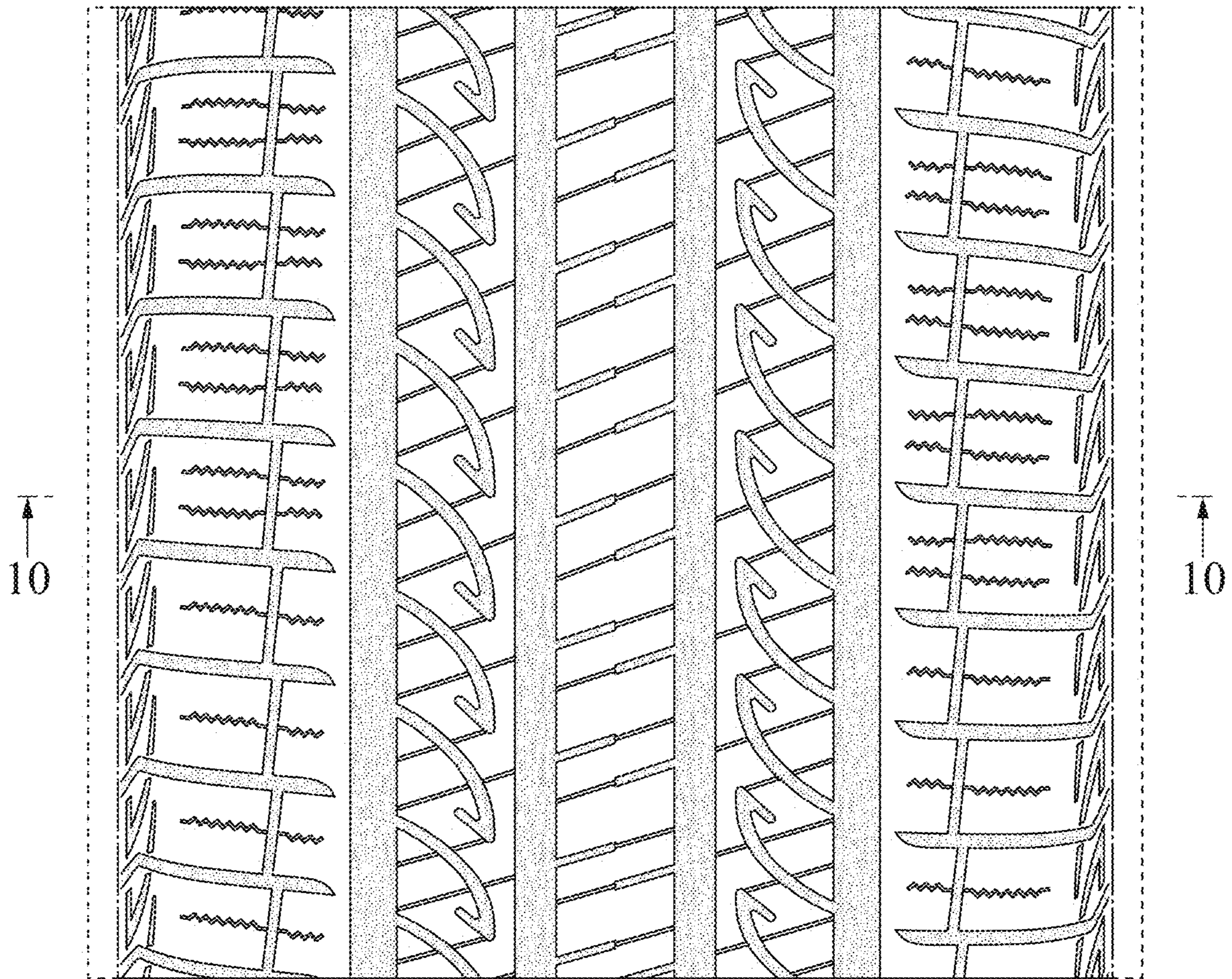


FIG. 10

