



US00D875647S

(12) **United States Design Patent** (10) **Patent No.:** **US D875,647 S**
Barajas et al. (45) **Date of Patent:** **** Feb. 18, 2020**

(54) **VEHICLE BODY FOR A MODEL VEHICLE**
(71) Applicant: **TRAXXAS LP**, McKinney, TX (US)
(72) Inventors: **Jaime Felix Barajas**, Dallas, TX (US);
Adam Cole Ewing, McKinney, TX
(US); **Otto Karl Allmendinger**,
Rowlett, TX (US); **Kent Poteet**, Lucas,
TX (US)
(73) Assignee: **TRAXXAS LP**, McKinney, TX (US)

D535,708 S 1/2007 Yuen
7,175,229 B2 2/2007 Garcia
D547,249 S 7/2007 Kurtz et al.
D566,789 S 4/2008 Idiot
D566,790 S 4/2008 Idiot
D567,301 S 4/2008 Idiot
D577,314 S 9/2008 Dockery et al.
D603,295 S 11/2009 Honeycutt et al.
D605,083 S 12/2009 Manoogian, II et al.
D612,767 S 3/2010 Barkan
D656,439 S 3/2012 Saracoglu

(Continued)

(**) Term: **15 Years**

OTHER PUBLICATIONS

(21) Appl. No.: **29/661,529**

Amazon.com. "Traxxas TRA6721 Wing, Rustler 4x4 (Black)" First reviewed Aug. 23, 2019. Retrieved Sep. 22, 2019. (<https://www.amazon.com/Traxxas-TRA6721-Rustler-Black-3x8mm/dp/B07HJHBM85/>).

(22) Filed: **Aug. 28, 2018**

(51) **LOC (12) Cl.** **21-01**

(52) **U.S. Cl.**
USPC **D12/548**; D12/86

(58) **Field of Classification Search**
USPC D12/86, 90-92, 88, 98; D21/424, 433,
D21/434, 533, 548-550, 559, 562;
296/181.1, 181.5, 181.3, 183.1, 37.6;
446/448

CPC B60R 9/06; B62D 35/00; B60C 2200/20;
B62B 5/0033; A63H 17/26; A63H
17/162; A63H 17/264; A63H 17/38;
A63H 29/00

See application file for complete search history.

Primary Examiner — Melody N Brown

(74) *Attorney, Agent, or Firm* — Daryl R. Wright; Greg Carr

(57) **CLAIM**

We claim the ornamental design for a vehicle body for a model vehicle, as shown and described.

DESCRIPTION

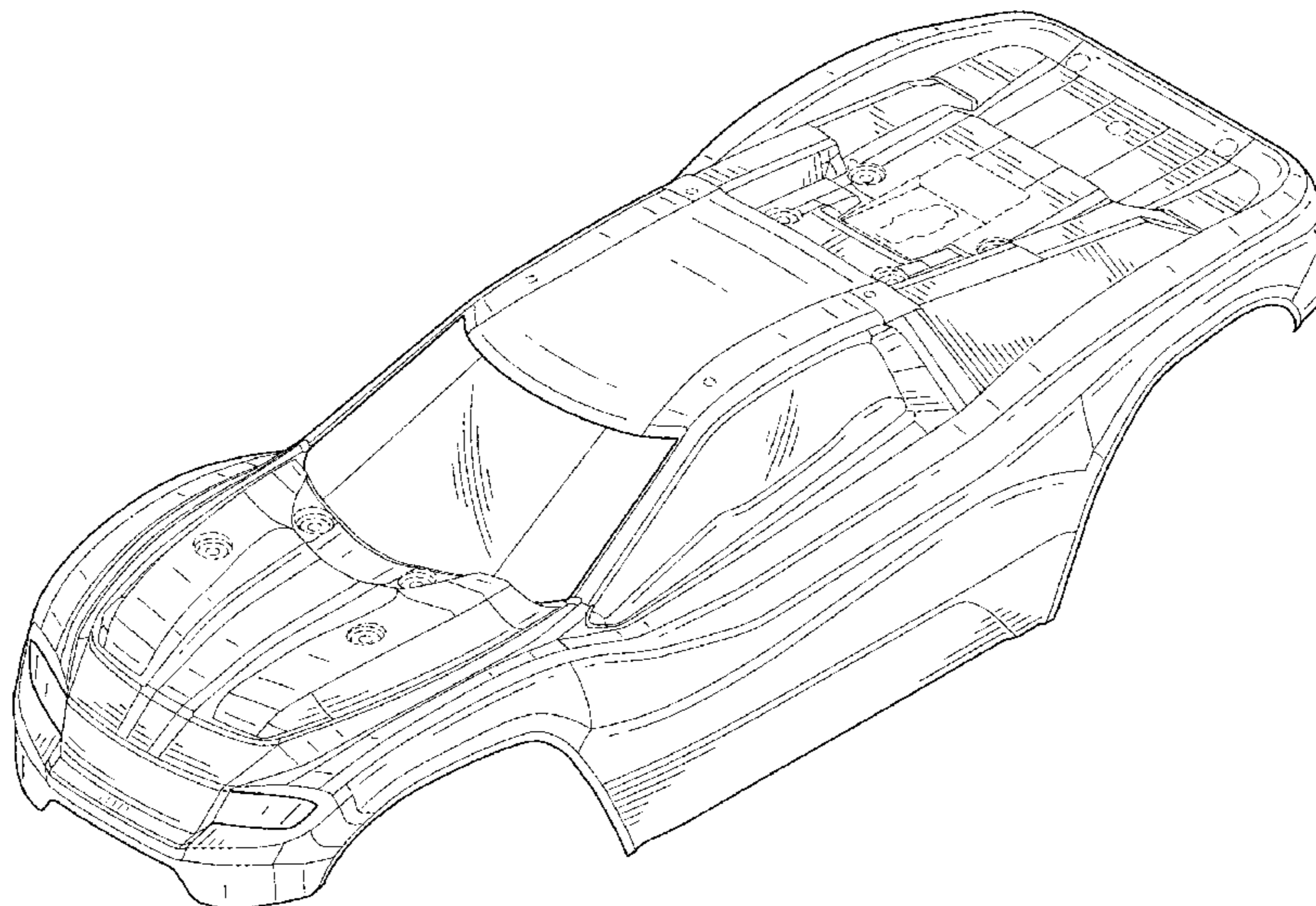
FIG. 1 is a top, front and left side perspective view of a vehicle body for a model vehicle showing our new design; FIG. 2 is front elevation view thereof; FIG. 3 is a rear elevation view thereof; FIG. 4 is a left side view thereof; FIG. 5 is a right side view thereof; FIG. 6 is a top plan view thereof; FIG. 7 is a bottom plan view thereof; and, FIG. 8 is a top, rear and right side perspective view thereof. The portions of the vehicle shown in broken lines are for environmental and illustrative purposes and form no part of the claimed design.

(56) **References Cited**

U.S. PATENT DOCUMENTS

D277,494 S * 2/1985 Lerch D21/559
D281,000 S * 10/1985 Kuna D21/559
D307,248 S * 4/1990 Dettling D12/91
D407,997 S * 4/1999 Sacco D12/92
D437,309 S * 2/2001 Brennan D12/92
D473,831 S 4/2003 Saleen
D488,113 S 4/2004 Nelson
D496,409 S 9/2004 Tilbor
D535,598 S 1/2007 Murkett

1 Claim, 7 Drawing Sheets



(56)

References Cited

U.S. PATENT DOCUMENTS

D728,037	S	4/2015	Barajas et al.	
D769,378	S	10/2016	Belker et al.	
D770,575	S	11/2016	Belker et al.	
D771,202	S	11/2016	Gan	
D771,203	S	11/2016	Gan	
D790,402	S *	6/2017	Perini	D12/88
D792,285	S *	7/2017	Manzoni	D12/88
D792,526	S	7/2017	Belker et al.	
D802,685	S	11/2017	Barajas et al.	
9,944,335	B2	4/2018	Shinedling et al.	
D820,166	S *	6/2018	Borkert	D12/92
D821,918	S	7/2018	Seidl	
D823,727	S *	7/2018	Hauser	D12/92
D824,288	S *	7/2018	Hauser	D12/92
D826,784	S *	8/2018	Hauser	D12/92
D862,610	S *	10/2019	Barajas	D21/548
D862,611	S *	10/2019	Barajas	D21/548
2009/0195016	A1	8/2009	Schwan et al.	
2013/0221701	A1	8/2013	De Luca	

* cited by examiner

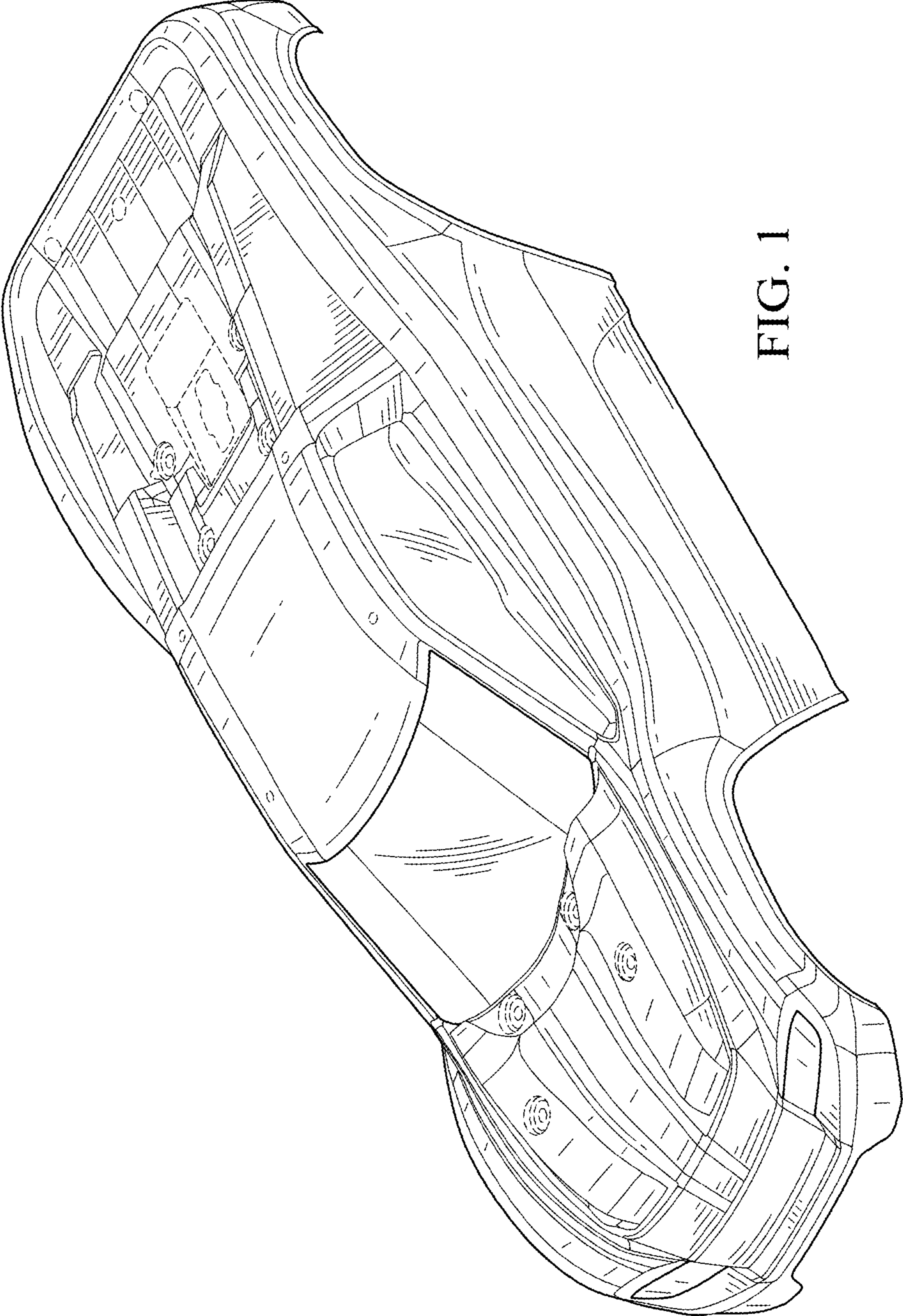


FIG. 1

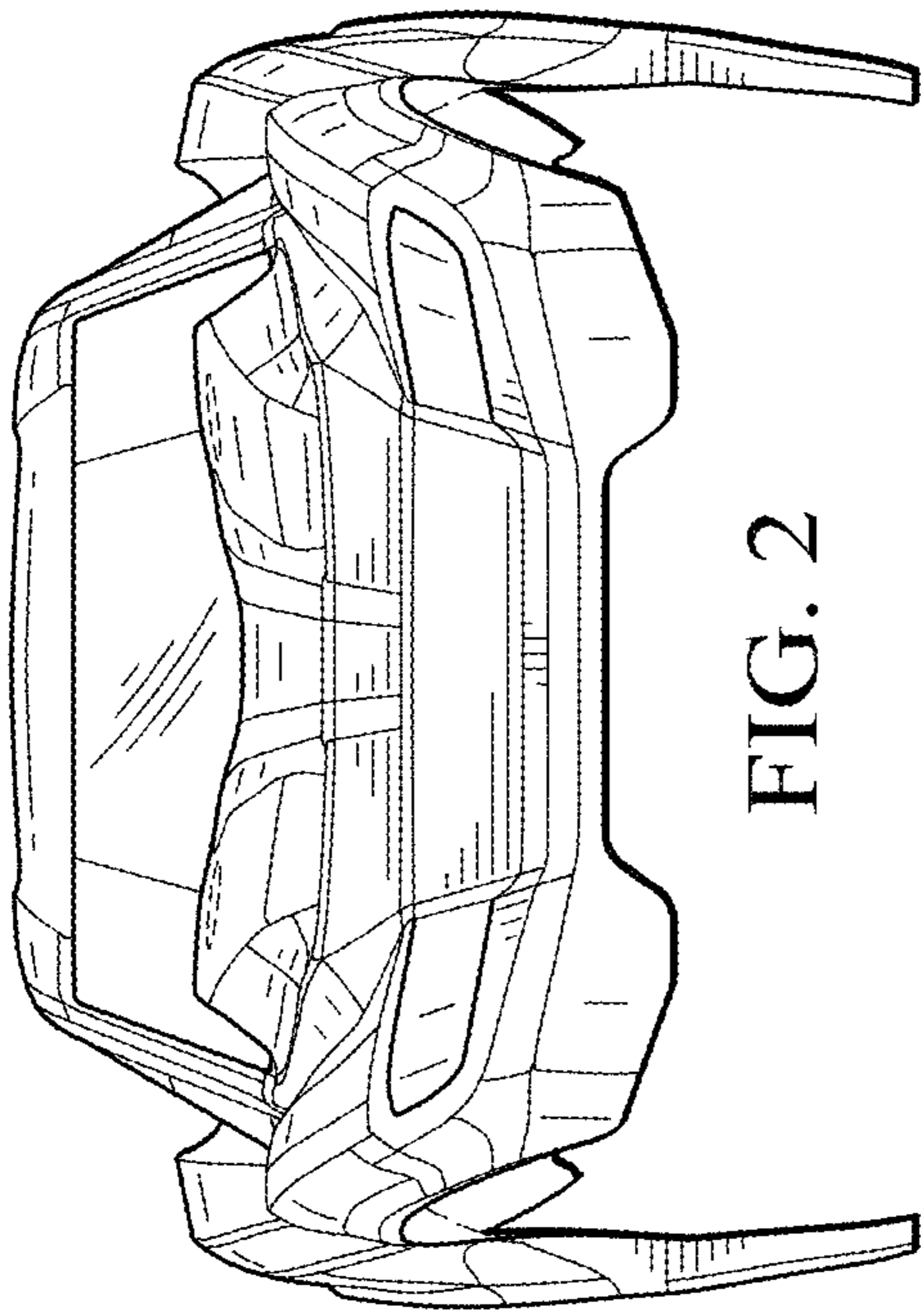


FIG. 2

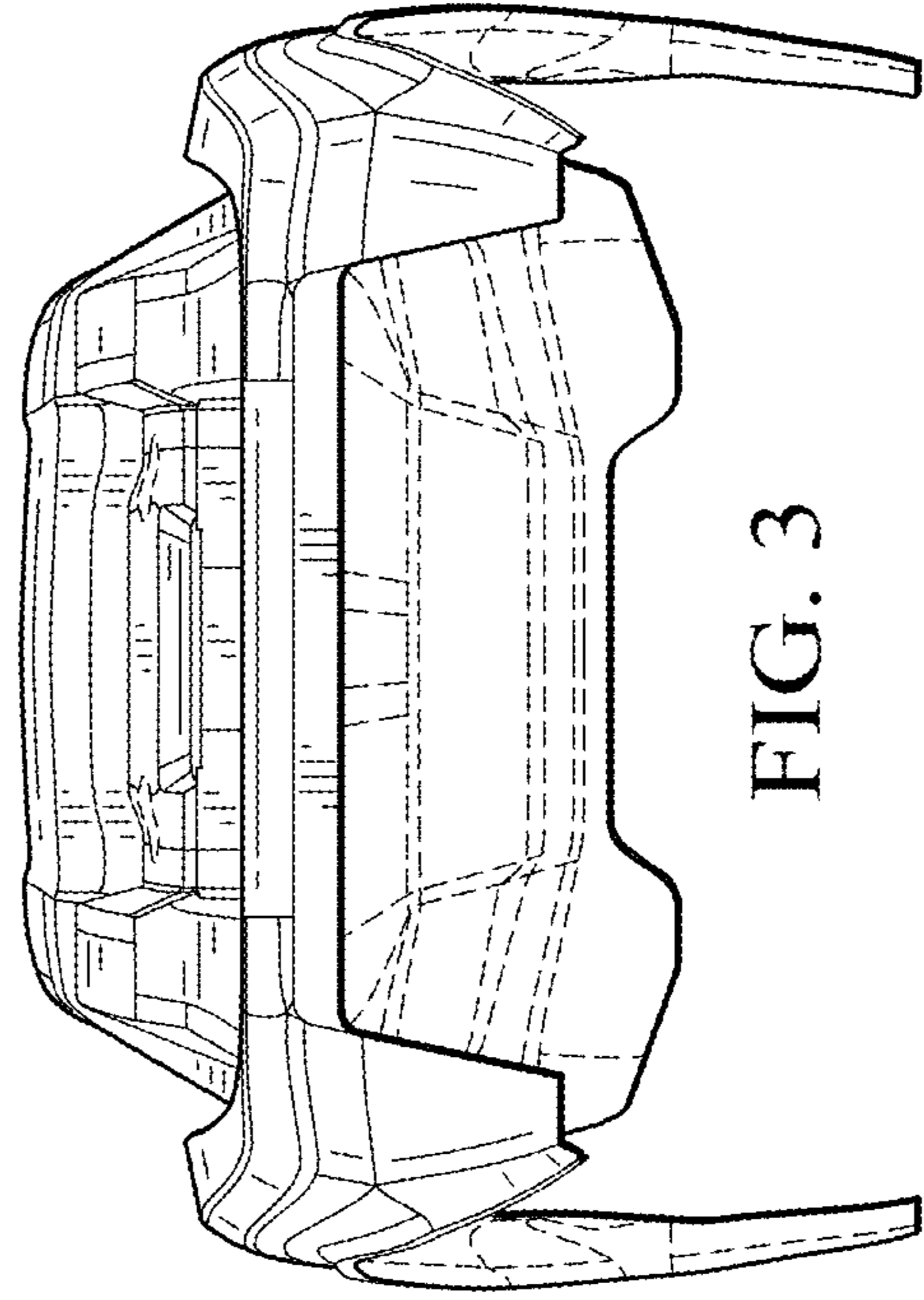


FIG. 3

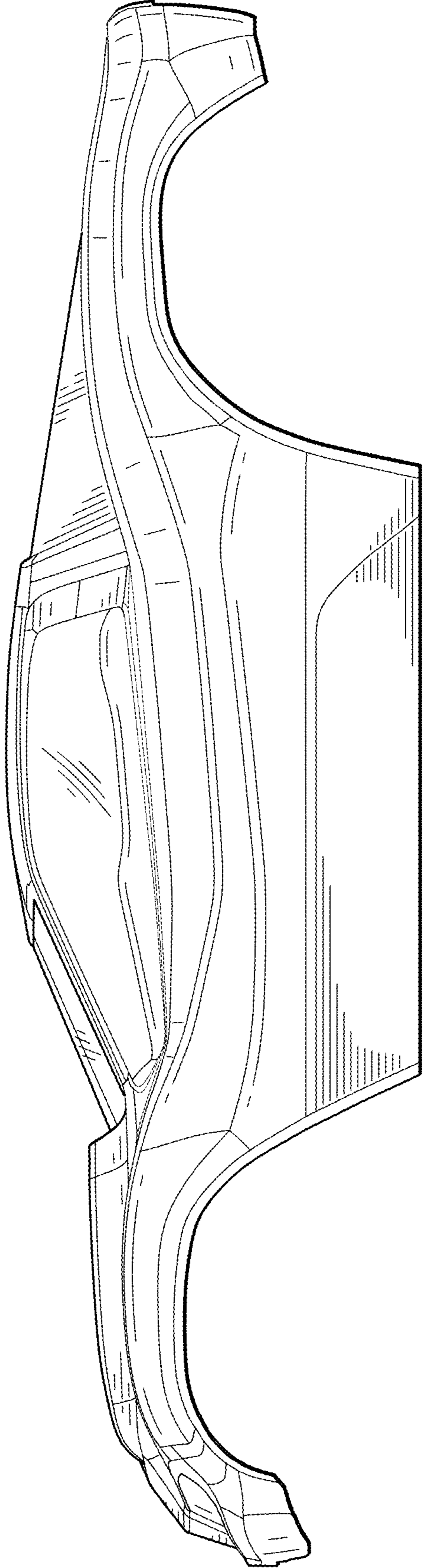


FIG. 4

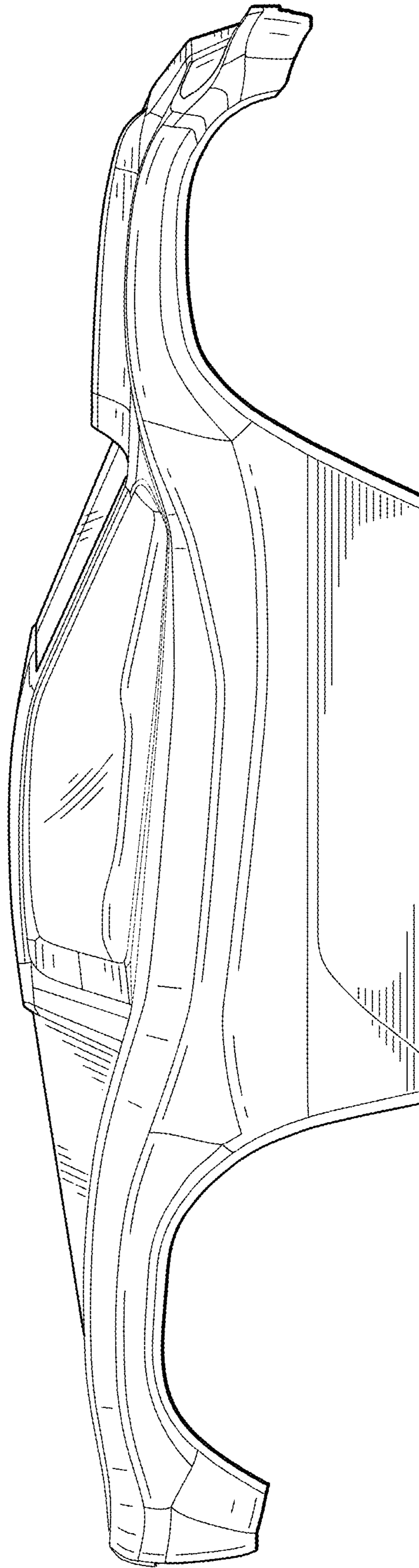


FIG. 5

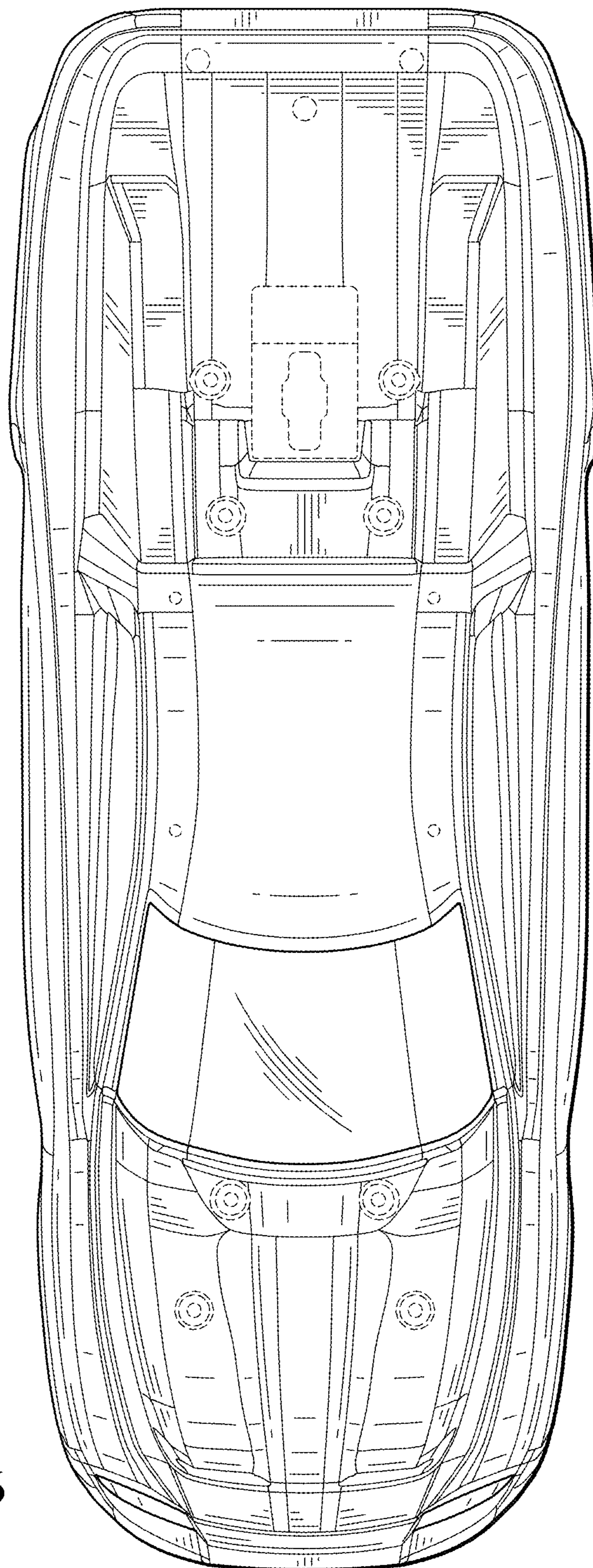


FIG. 6

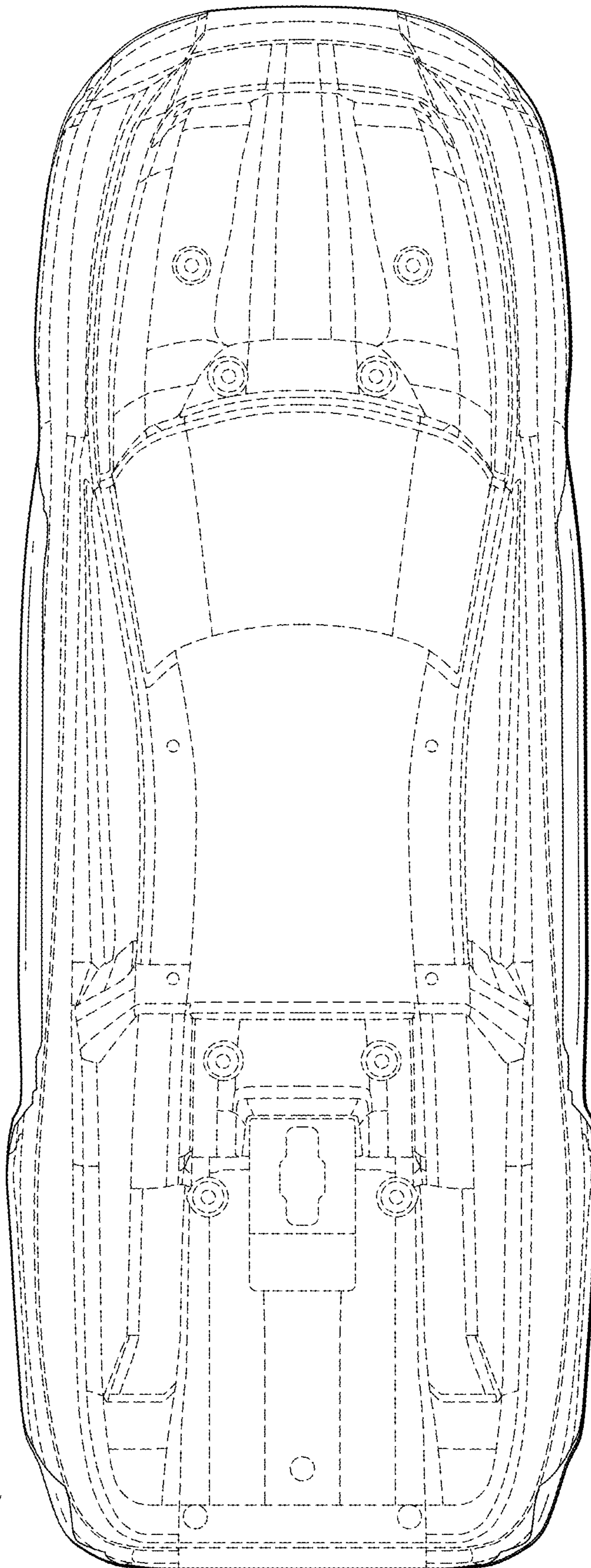


FIG. 7

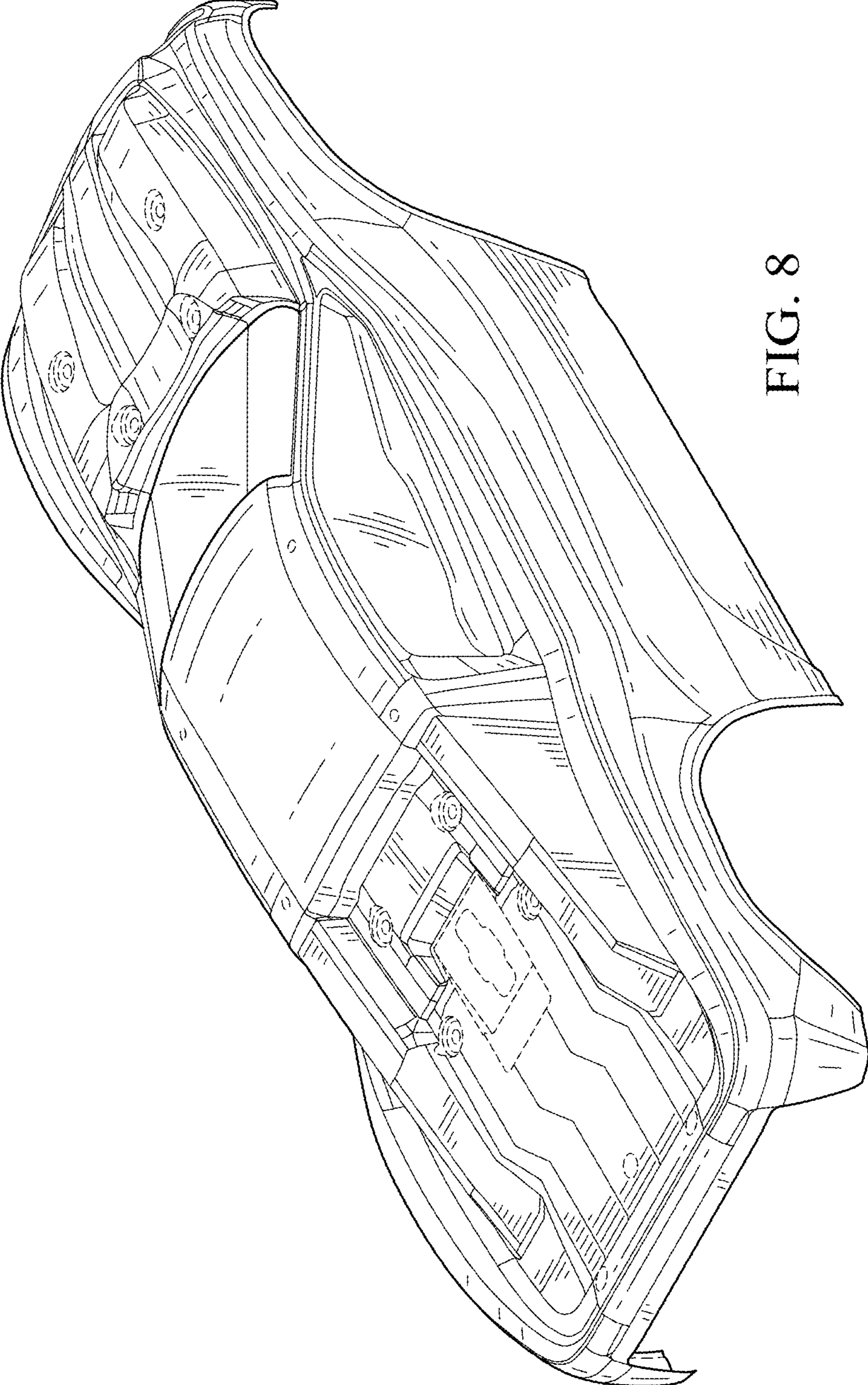


FIG. 8