



US00D875645S

(12) **United States Design Patent** (10) **Patent No.:** **US D875,645 S**
Sterba et al. (45) **Date of Patent:** **** Feb. 18, 2020**

(54) **TIRE**
(71) Applicant: **Bridgestone Americas Tire Operations, LLC**, Nashville, TN (US)
(72) Inventors: **Zachary A. Sterba**, Akron, OH (US); **Richard S. Parr**, Canton, OH (US)
(73) Assignee: **Bridgestone Americas Tire Operations, LLC**, Nashville, TN (US)

(**) Term: **15 Years**

(21) Appl. No.: **29/654,188**

(22) Filed: **Jun. 21, 2018**

(51) **LOC (12) Cl.** **12-15**

(52) **U.S. Cl.**
USPC **D12/513**

(58) **Field of Classification Search**
USPC D12/500-532, 604
CPC Y10T 152/10027; B60C 1/0016; B60C 11/0306; B60C 11/0302; B60C 3/06; B60C 9/17

See application file for complete search history.

(56) **References Cited**

U.S. PATENT DOCUMENTS

D294,238 S	*	2/1988	Premont	D12/598
D333,642 S	*	3/1993	Brayer	D12/527
D388,028 S	*	12/1997	Ratliff, Jr.	D12/513
D391,535 S	*	3/1998	Johenning	D12/514
D392,229 S		3/1998	Shirai et al.		
D409,535 S		5/1999	Attinello		
D412,872 S		8/1999	Attinello		
D429,194 S		8/2000	Heinen et al.		
D440,912 S		4/2001	Ratliff, Jr.		
D441,695 S		5/2001	Heinen et al.		
D442,125 S		5/2001	Ratliff, Jr.		
D486,122 S		2/2004	Ratliff, Jr.		
D492,244 S		6/2004	Fukunaga		
D504,387 S		4/2005	Welbes et al.		

D512,681 S		12/2005	Maxwell		
D516,011 S		2/2006	Shondel et al.		
D529,862 S	*	10/2006	Miller	D12/574
D541,734 S		5/2007	Yoshiya		
D556,671 S	*	12/2007	Nonaka	D12/567
D591,220 S		4/2009	Minagawa		
D597,929 S		8/2009	Diensthuber et al.		
D608,271 S	*	1/2010	Woidtke	D12/531

(Continued)

OTHER PUBLICATIONS

“Detroit Notes: Firestone Introduces New Rain Tire”, downloaded at: <http://www.indycar.com/News/2018/06/06-01-Detroit-notebook>, 3 pp. (Jun. 1, 2018).

Primary Examiner — Lakiya G Rogers

Assistant Examiner — John A Voytek

(74) *Attorney, Agent, or Firm* — Shaun J. Fox

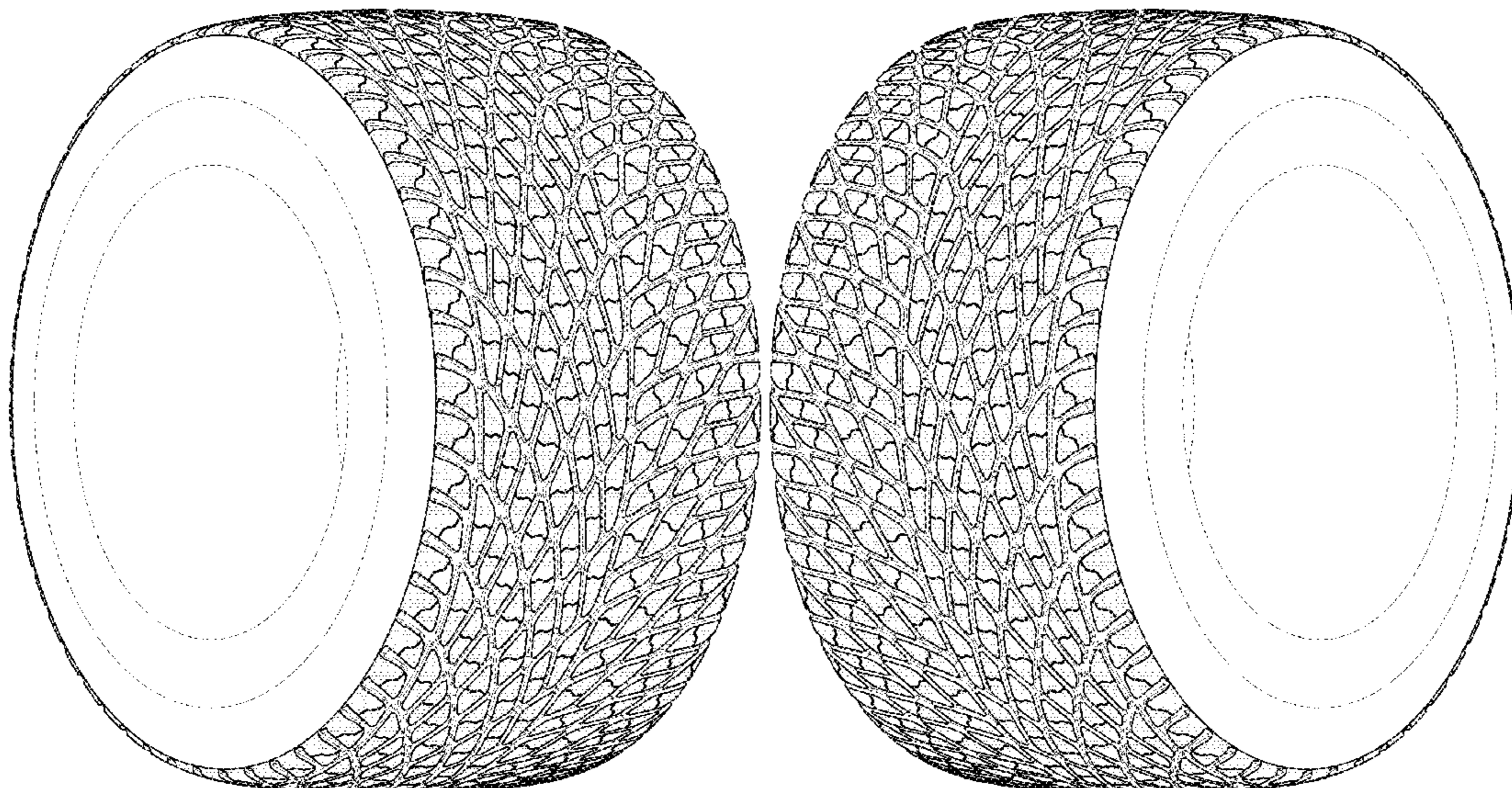
(57) **CLAIM**

The ornamental design for a tire sidewall, as shown and described.

DESCRIPTION

FIG. 1 is a side perspective view of a tire showing a first embodiment of our new design;
FIG. 2 is a front elevational view thereof;
FIG. 3 is a side elevational view of the right side thereof;
FIG. 4 is a side elevational view of the left side thereof;
FIG. 5 is an enlarged fragmentary view thereof;
FIG. 6 is a side perspective view of a tire showing a second embodiment of our new design;
FIG. 7 is a front elevational view thereof;
FIG. 8 is a side elevational view of the left side thereof;
FIG. 9 is a side elevational view of the right side thereof;
and,
FIG. 10 is an enlarged fragmentary view thereof.
In the drawings, the broken lines depict environmental subject matter only and form no part of the claimed design.

1 Claim, 10 Drawing Sheets



(56)

References Cited

U.S. PATENT DOCUMENTS

D634,700 S	3/2011	Ebel et al.	
D651,162 S *	12/2011	Nakano	D12/528
D651,163 S	12/2011	Shimizu et al.	
D668,205 S	10/2012	Ebel et al.	
D702,626 S	4/2014	de Briey-Terlinden	
D722,556 S	2/2015	Takei et al.	
D755,114 S	5/2016	Abe	
D767,473 S	9/2016	Nomura et al.	
D778,229 S	2/2017	Fabing et al.	
D778,808 S	2/2017	Fabing et al.	
D780,104 S *	2/2017	Taylor	D12/580
D806,000 S	12/2017	Diensthuber et al.	

* cited by examiner

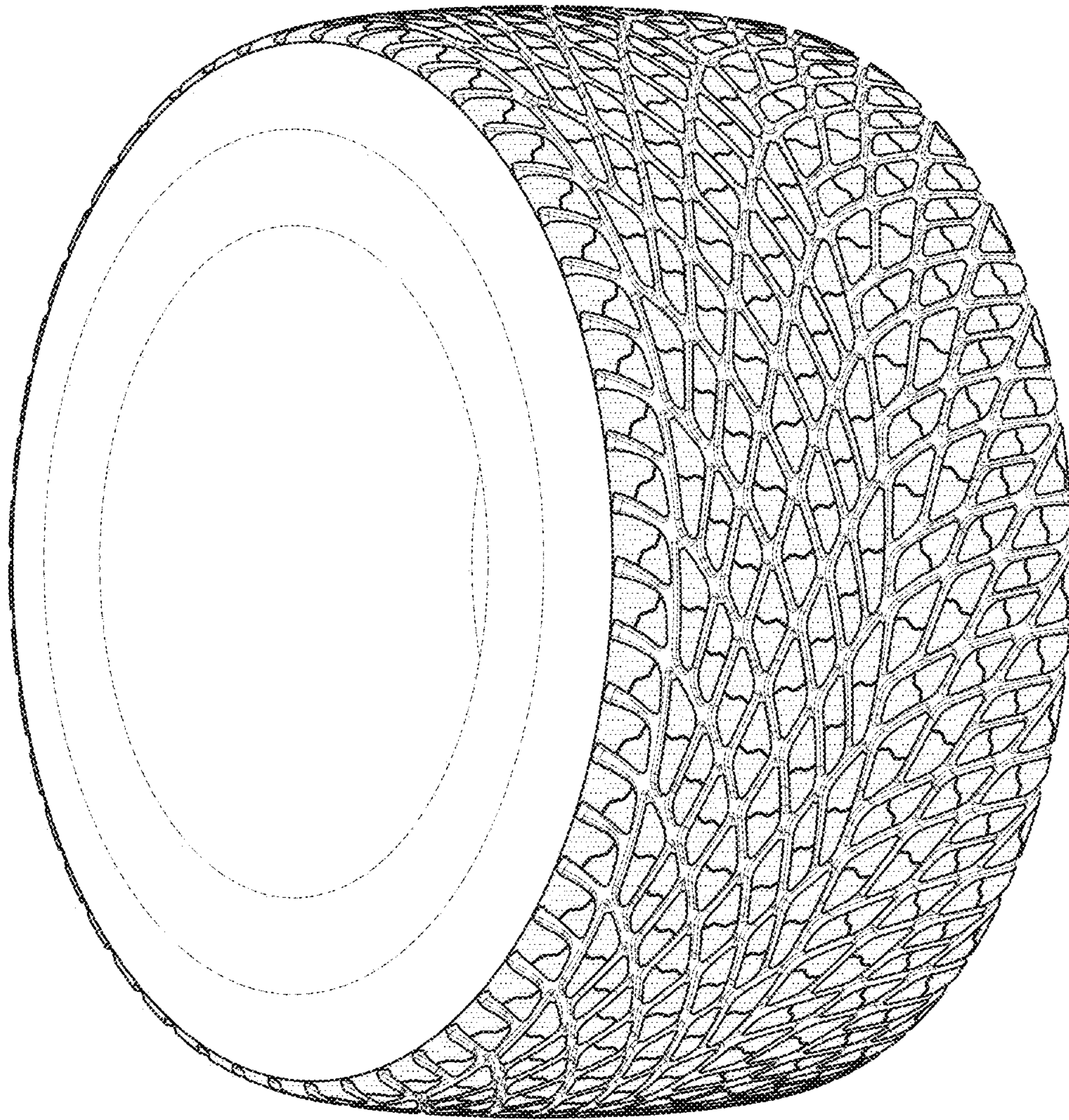


FIG. 1

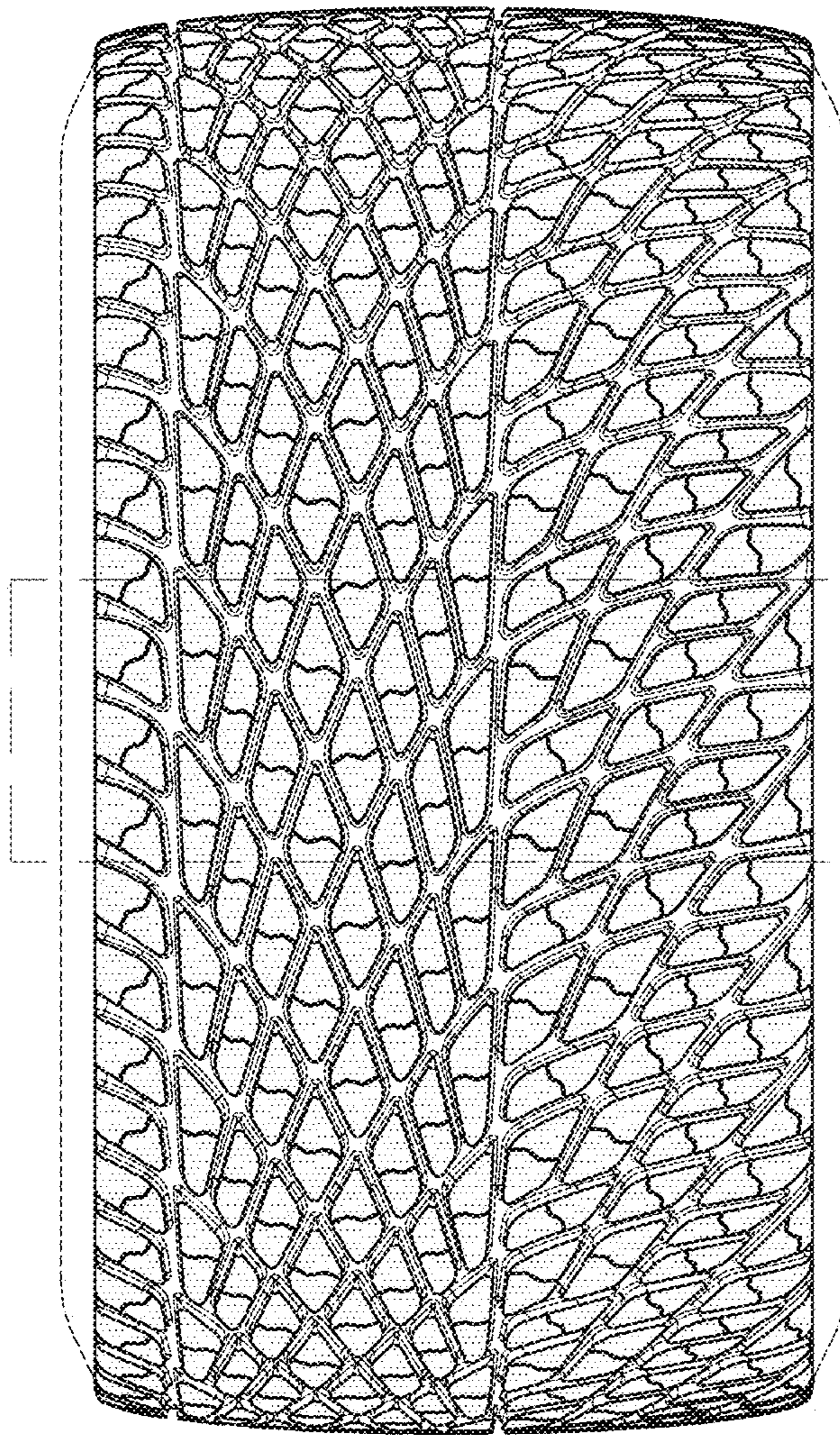


FIG. 2

FIG. 5

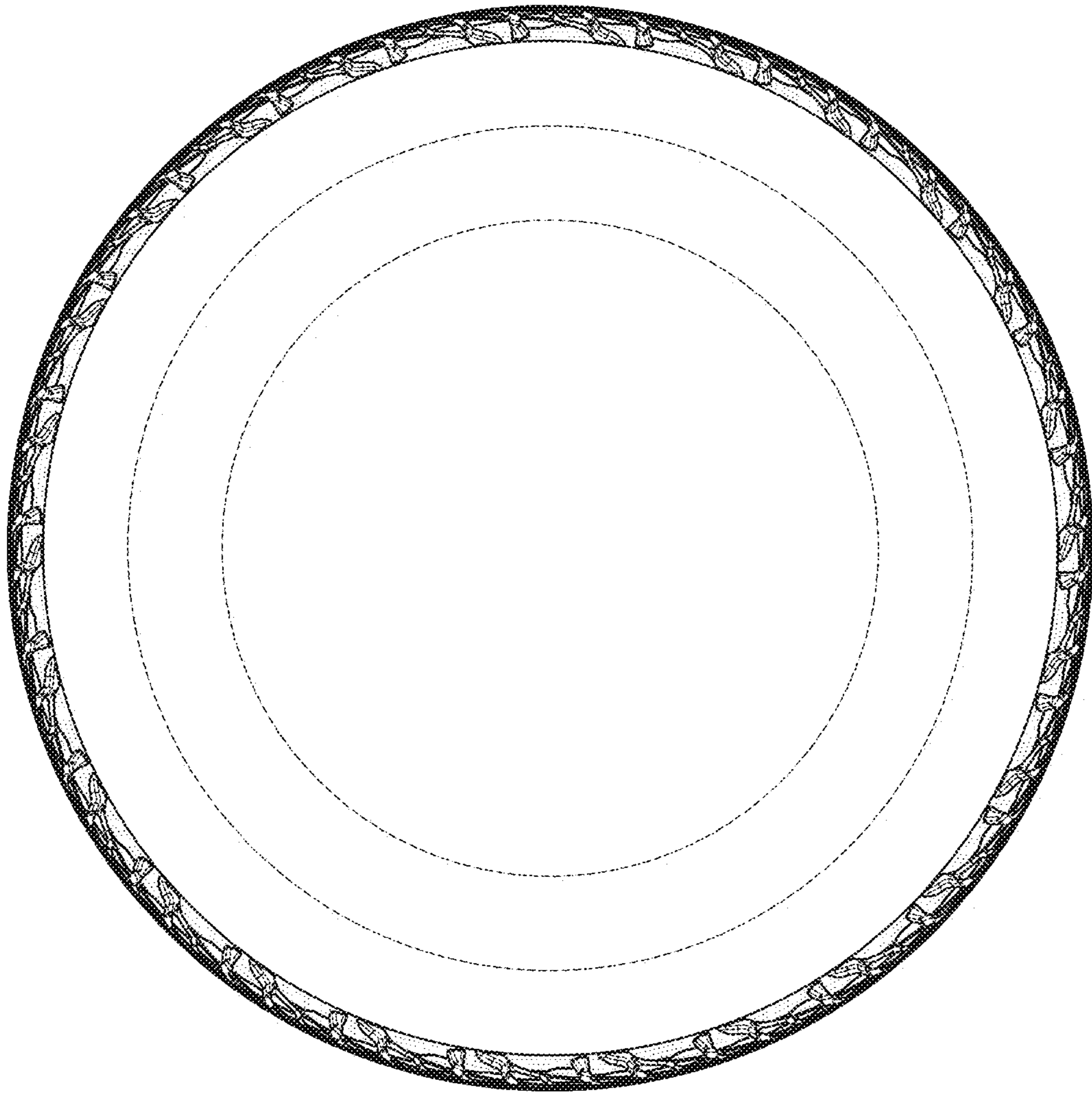


FIG. 3

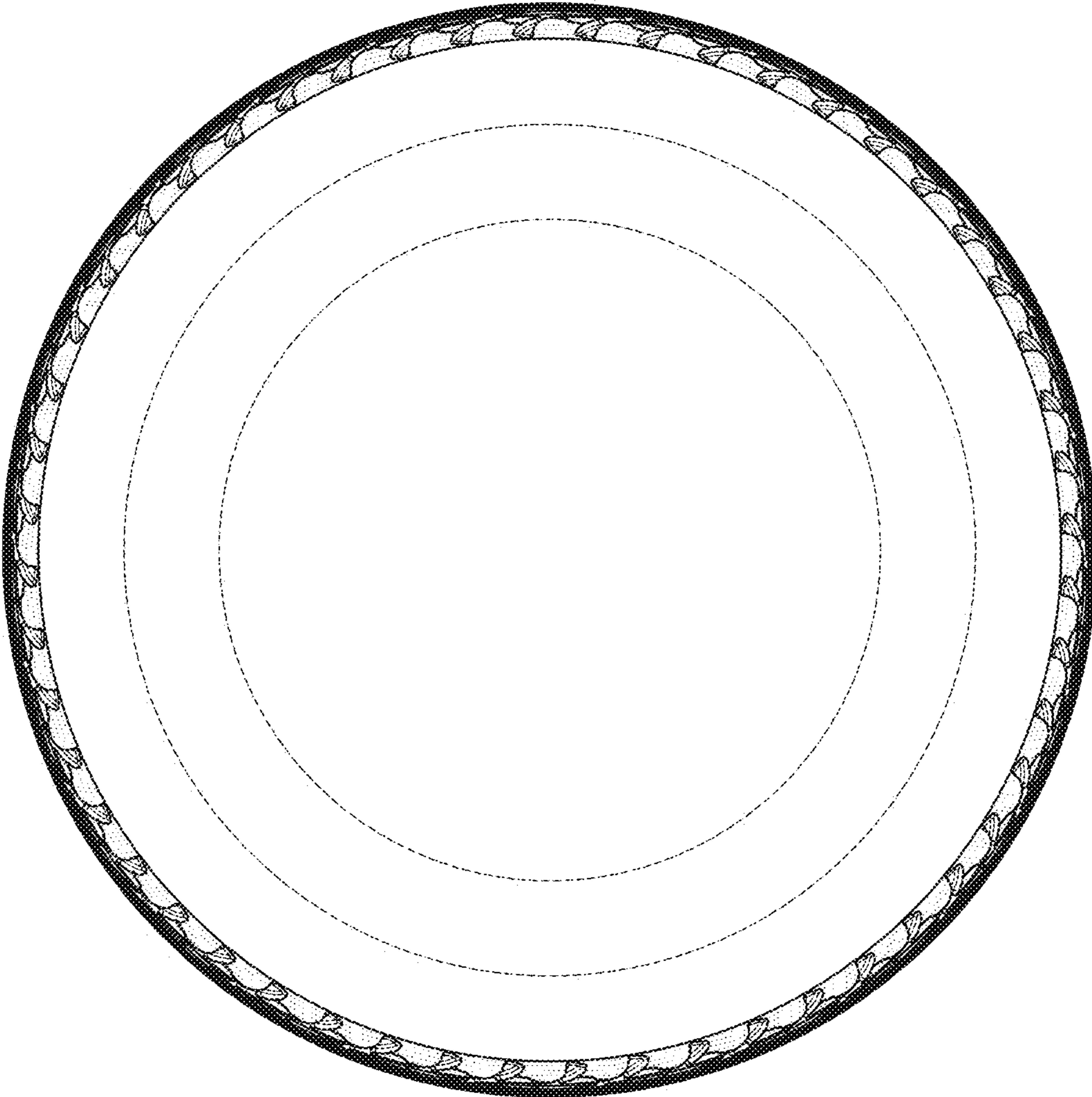


FIG. 4

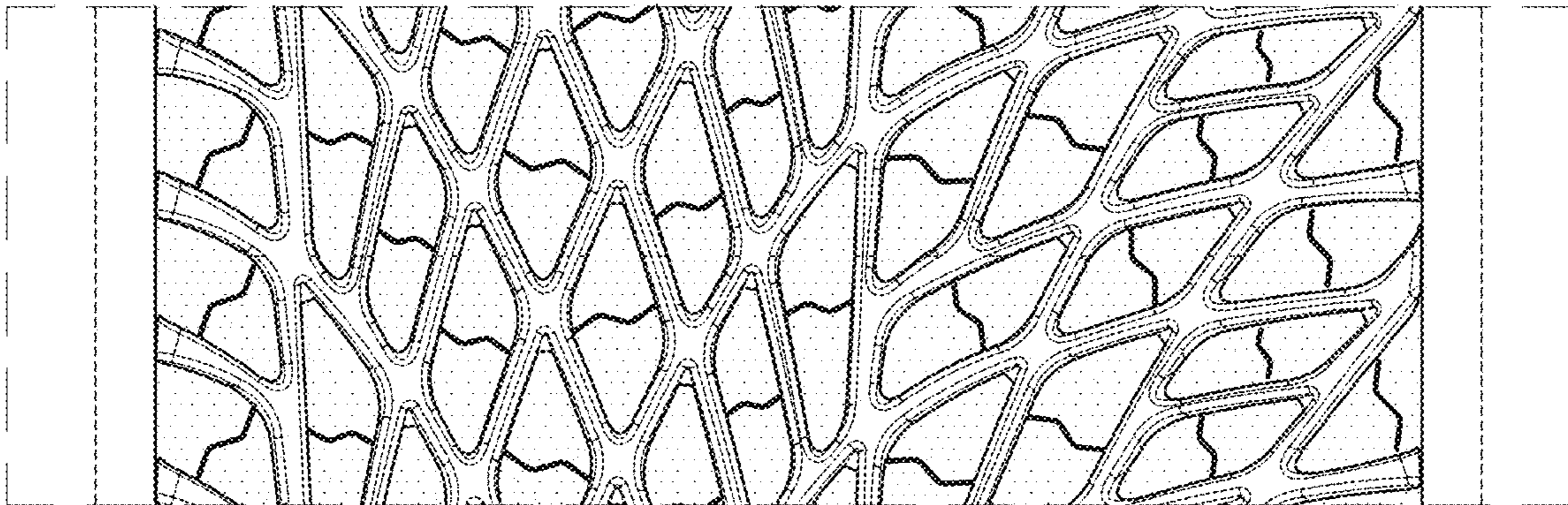


FIG. 5

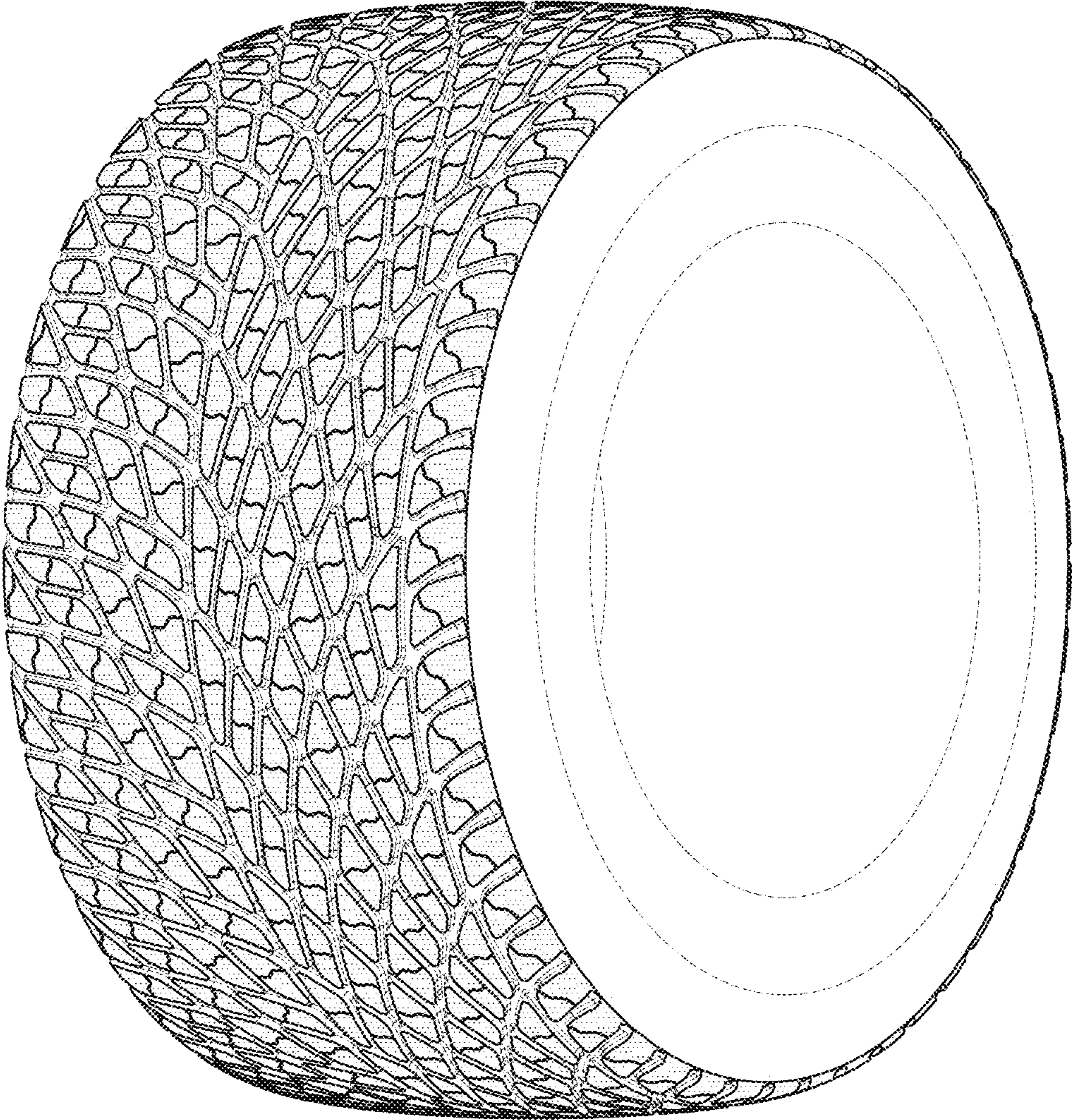


FIG. 6

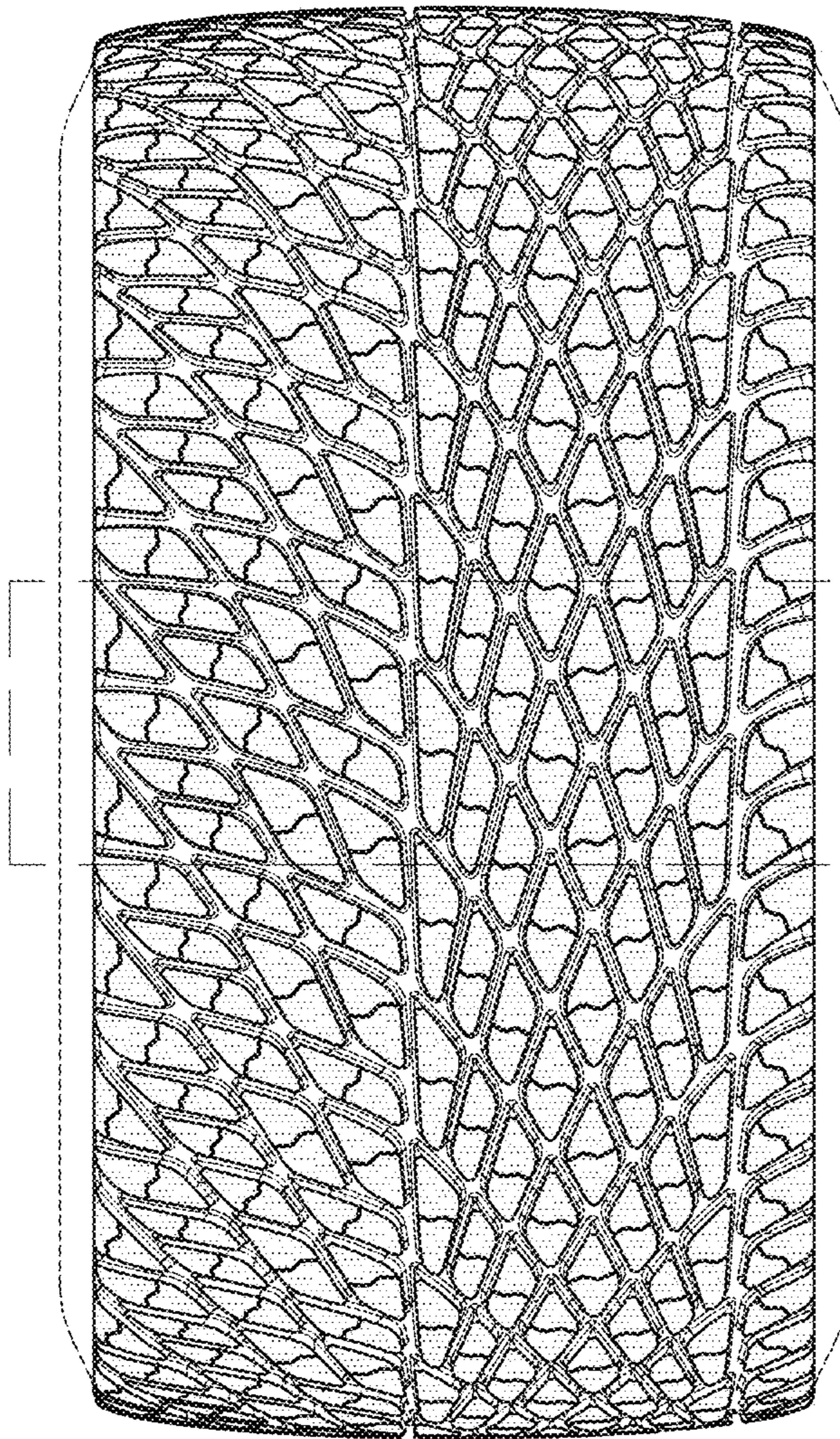


FIG. 7

FIG. 10

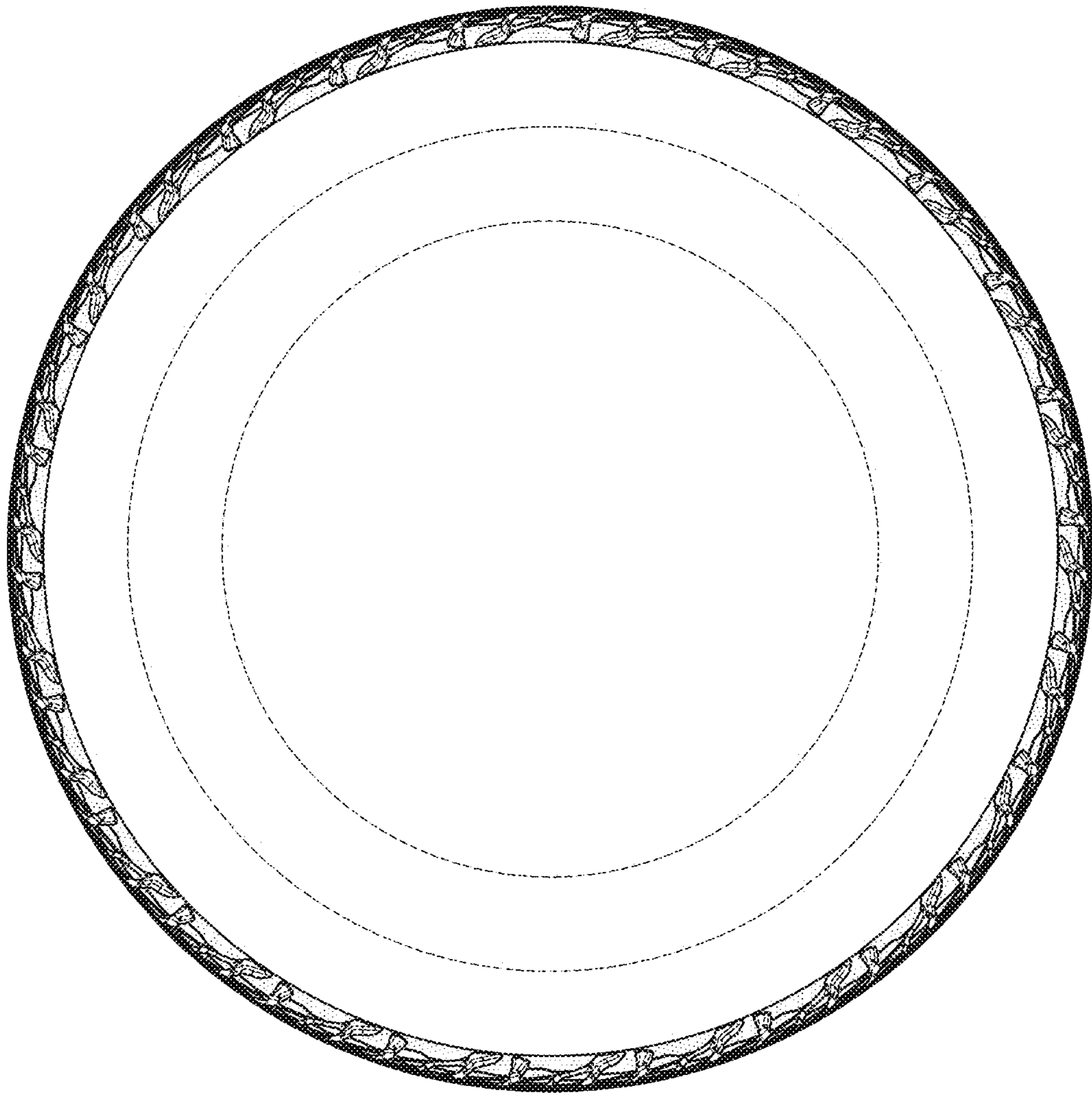


FIG. 8

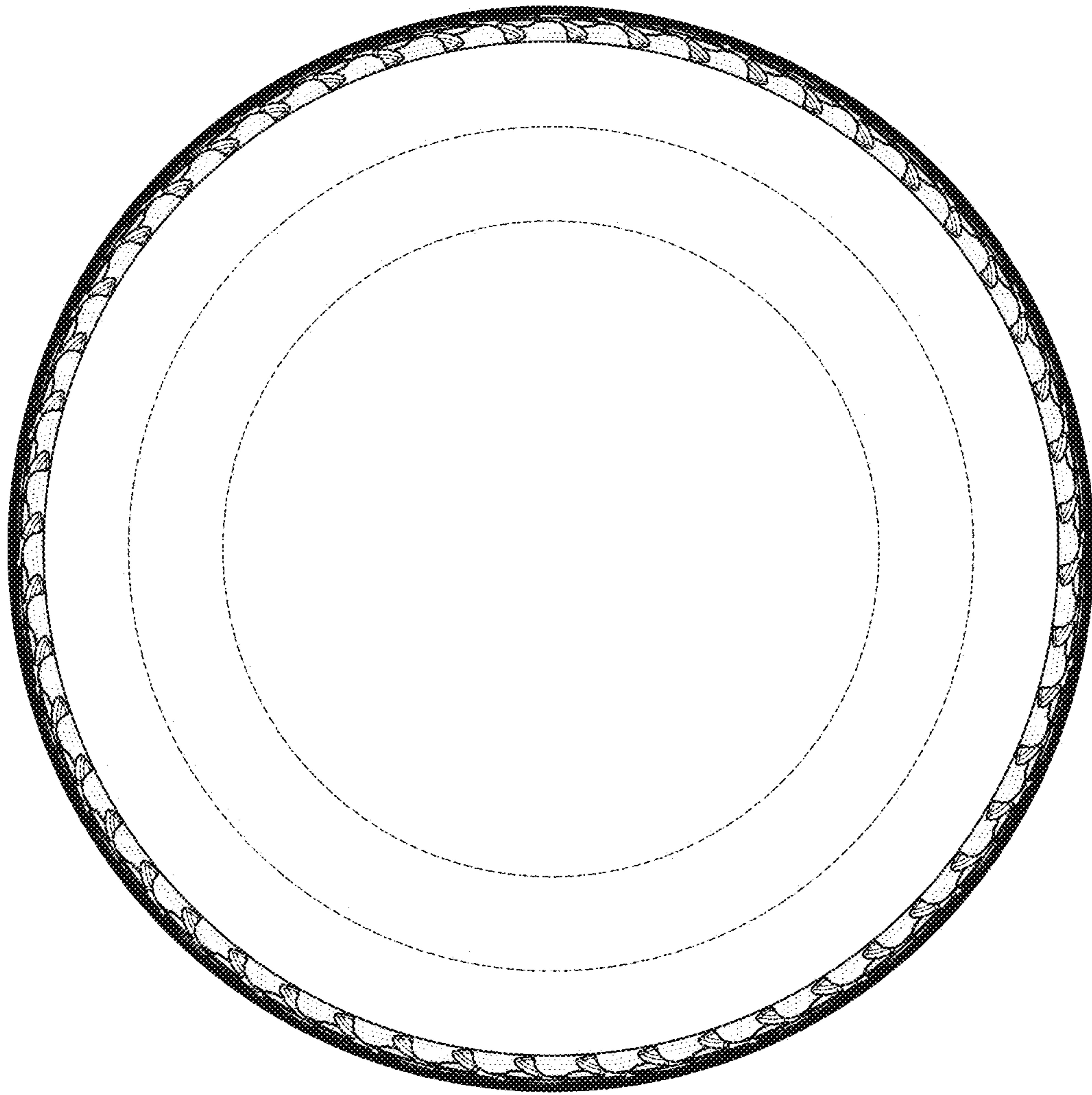


FIG. 9

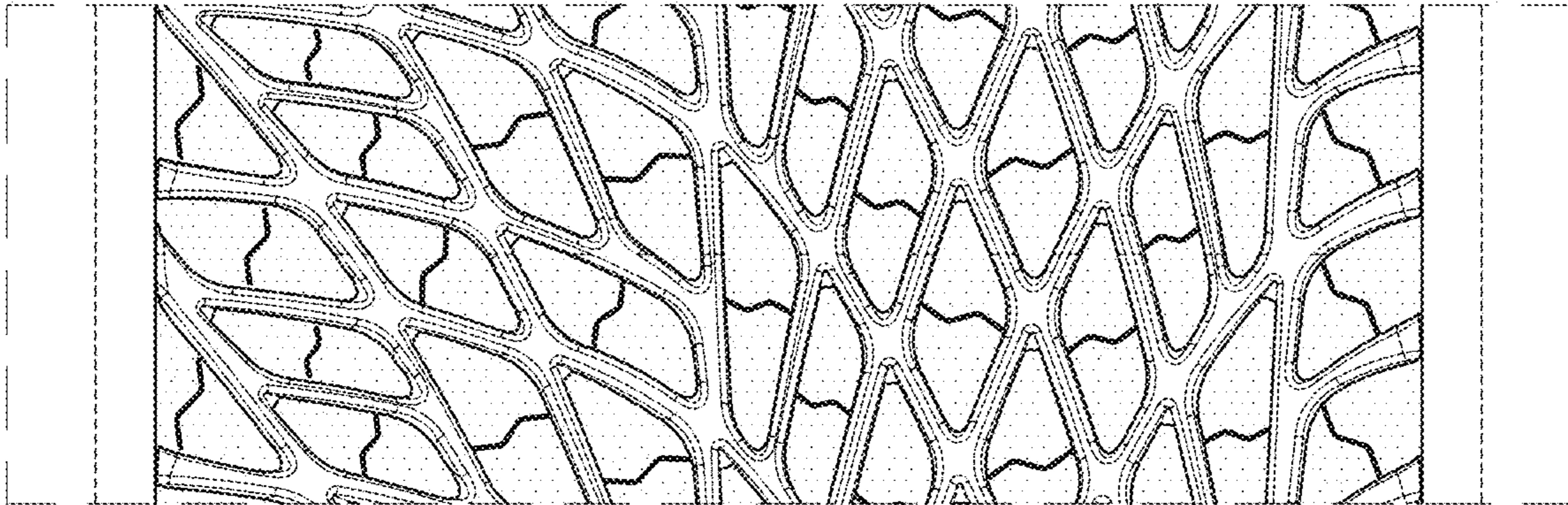


FIG. 10