



US00D875644S

(12) **United States Design Patent**  
**Goatcher**

(10) **Patent No.:** **US D875,644 S**

(45) **Date of Patent:** **\*\* Feb. 18, 2020**

(54) **COLLAPSIBLE CAR TRUNK AND GROCERY ORGANIZER WITH HARD COVER AND COOLER BAG**

(71) Applicant: **Chakriya Jumbaeng Goatcher**, Aliso Viejo, CA (US)

(72) Inventor: **Chakriya Jumbaeng Goatcher**, Aliso Viejo, CA (US)

(\*\*) Term: **15 Years**

(21) Appl. No.: **29/657,403**

(22) Filed: **Jul. 21, 2018**

(51) **LOC (12) Cl.** ..... **12-16**

(52) **U.S. Cl.**  
USPC ..... **D12/425**

(58) **Field of Classification Search**

USPC ..... D12/415-419, 191, 106, 96, 400, 195, D12/345, 99; 296/37.1, 37.8, 70, 24.3, 296/97.1, 97.2, 97.4, 97.5, 97.6, 97.7, 296/97.8, 180; 312/246; 224/311, 539, 224/281, 275; D8/354; D14/451-452; 248/278.1, 274.1, 284.1; D3/319; 160/370.21, 370.23, 370.22  
CPC .... B60R 5/00; B60R 5/04; B60R 7/00; B60R 7/02; A47G 29/00

See application file for complete search history.

(56) **References Cited**

**U.S. PATENT DOCUMENTS**

D539,036 S	*	3/2007	Potts	.....	D12/425
D659,632 S	*	5/2012	Jordan	.....	D12/414.1
D784,908 S	*	4/2017	Kalchuri	.....	D12/416
D821,959 S	*	7/2018	Baker	.....	D12/425
D823,231 S	*	7/2018	Yancey	.....	D12/415

\* cited by examiner

*Primary Examiner* — Abraham Bahta

(74) *Attorney, Agent, or Firm* — K. David Crockett, Esq.; Niky Economy Syrengelas, Esq.; Crockett & Crockett, PC

(57) **CLAIM**

The ornamental design for a collapsible car trunk and grocery organizer with hard cover and cooler bag, as shown and described.

**DESCRIPTION**

FIG. 1 is a right side view of the organizer with three compartments, a cooler bag and straps, the organizer in an open condition showing my new design.

FIG. 2 is a top view thereof.

FIG. 3 is a side view thereof, wherein the organizer is in a collapsed state with two compartments.

FIG. 4 is another side view thereof, wherein the organizer is in a compressed state with one compartment.

FIG. 5 is a top view thereof, wherein the organizer with two compartments is shown in a collapsed state.

FIG. 6 is another top view thereof, wherein the organizer with one compartment is in a collapsed state.

FIG. 7 is a perspective view of the organizer, wherein the organizer is in a fully closed and collapsed state.

FIG. 8 is a front view thereof.

FIG. 9 is a rear view thereof.

FIG. 10 is a right side view thereof.

FIG. 11 is a left side view thereof.

FIG. 12 is a top view thereof.

FIG. 13 is a bottom view thereof.

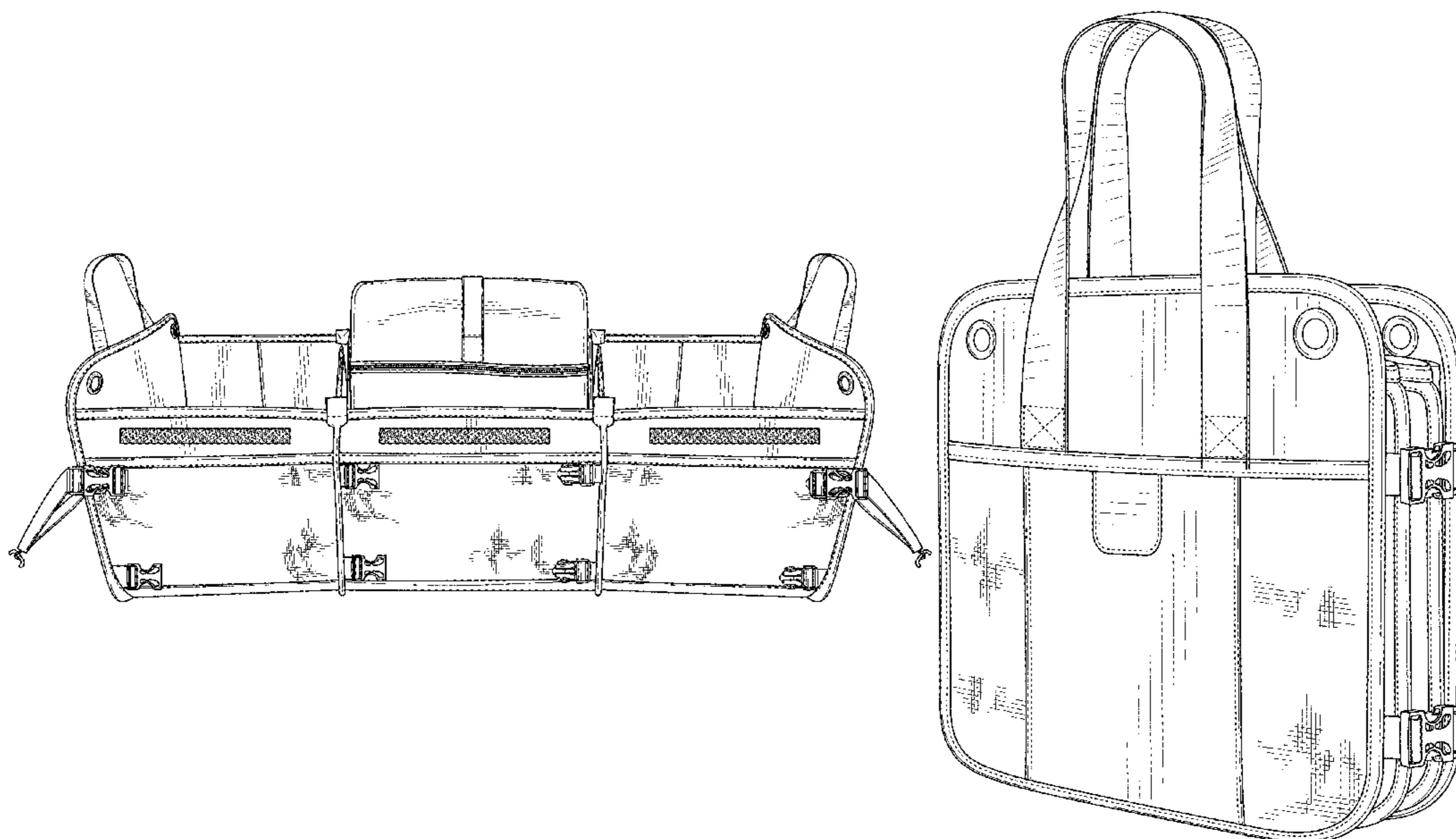
FIG. 14 is a right side view thereof, wherein the top hard cover is installed.

FIG. 15 is a top view thereof.

FIG. 16 is a bottom view thereof; and,

FIG. 17 is another side view of the organizer with three compartments, a cooler bag and straps and wherein the organizer is in an opened state.

**1 Claim, 14 Drawing Sheets**



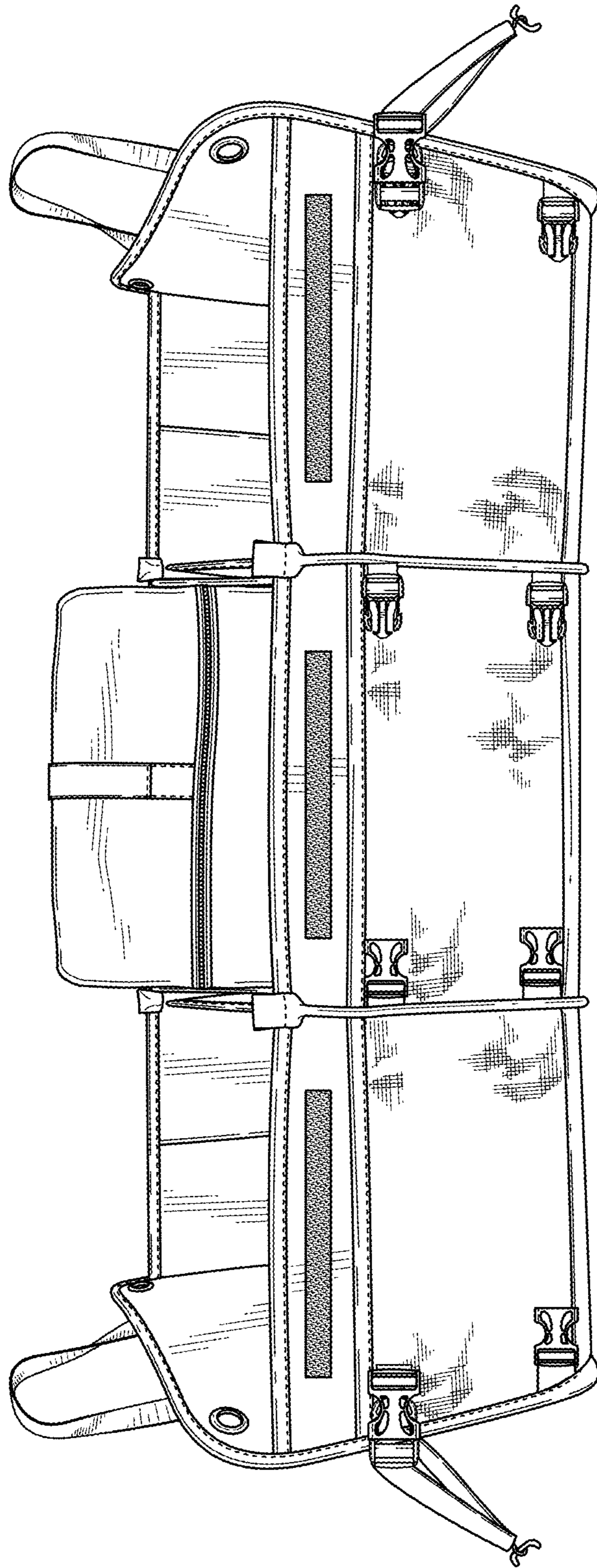


FIG. 1

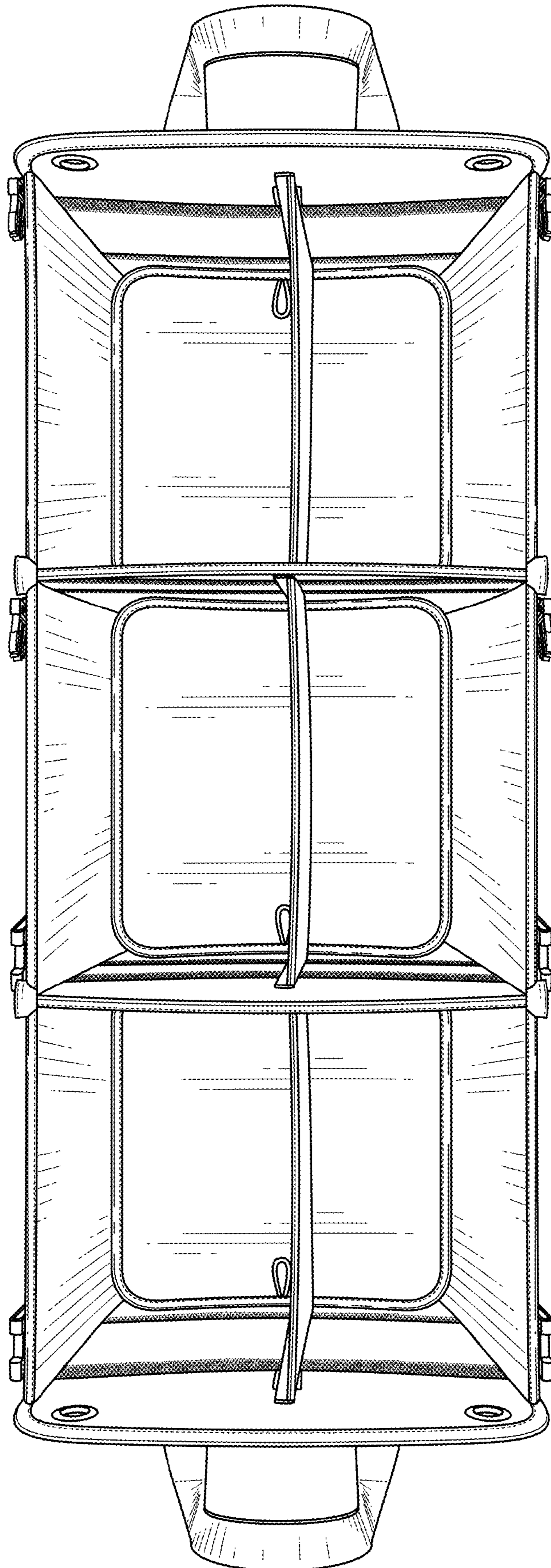


FIG. 2

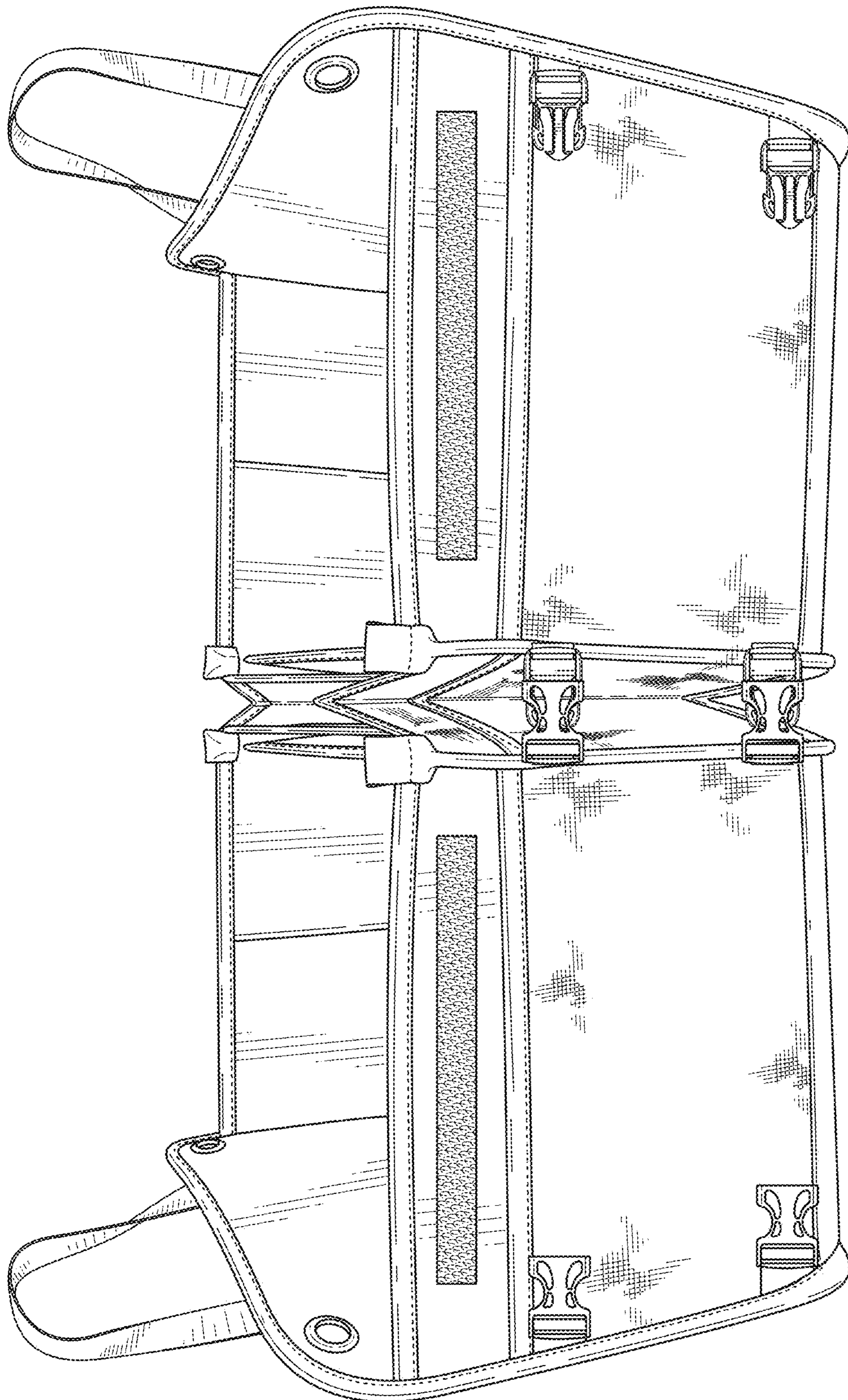


FIG. 3

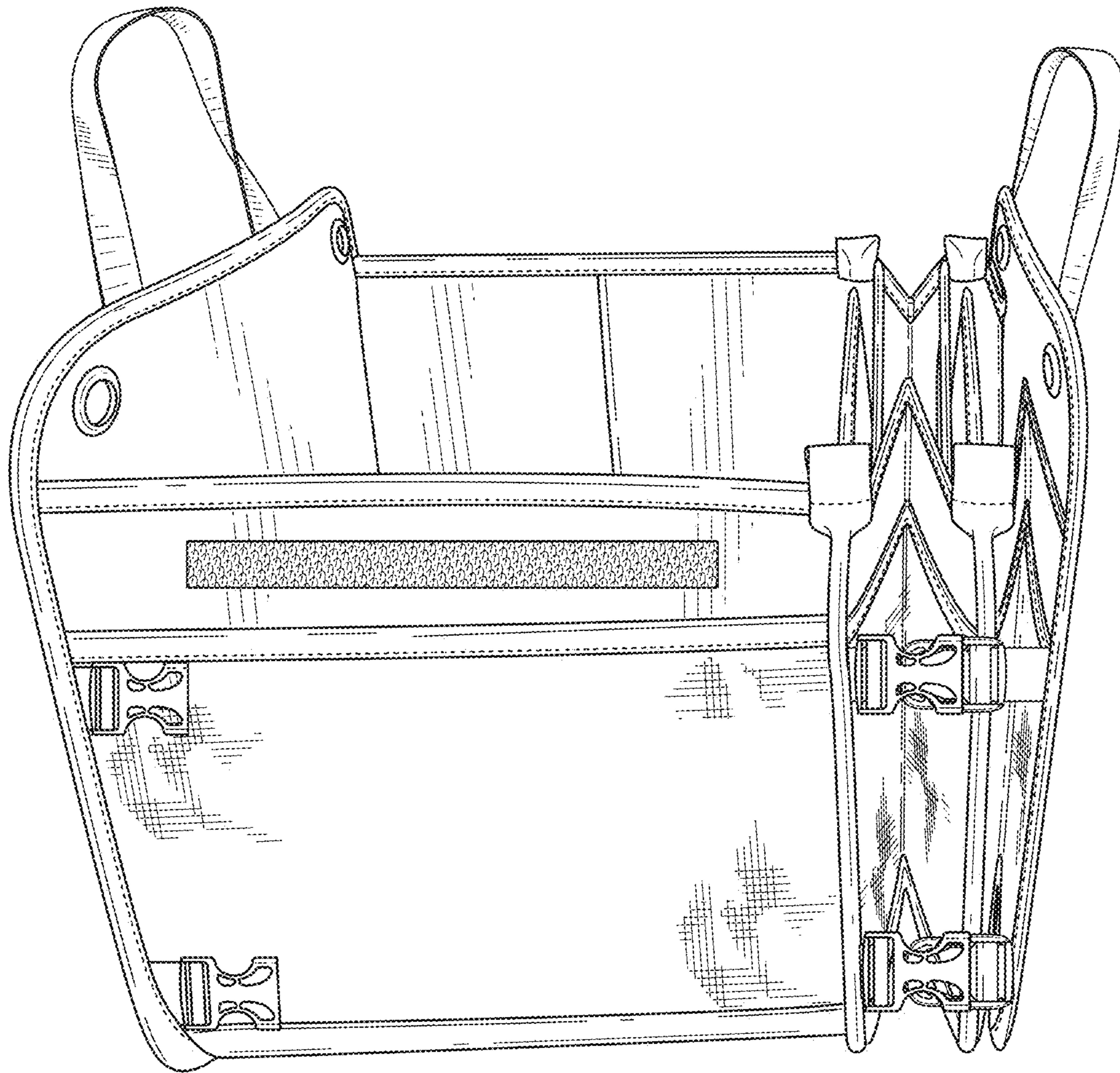


FIG. 4

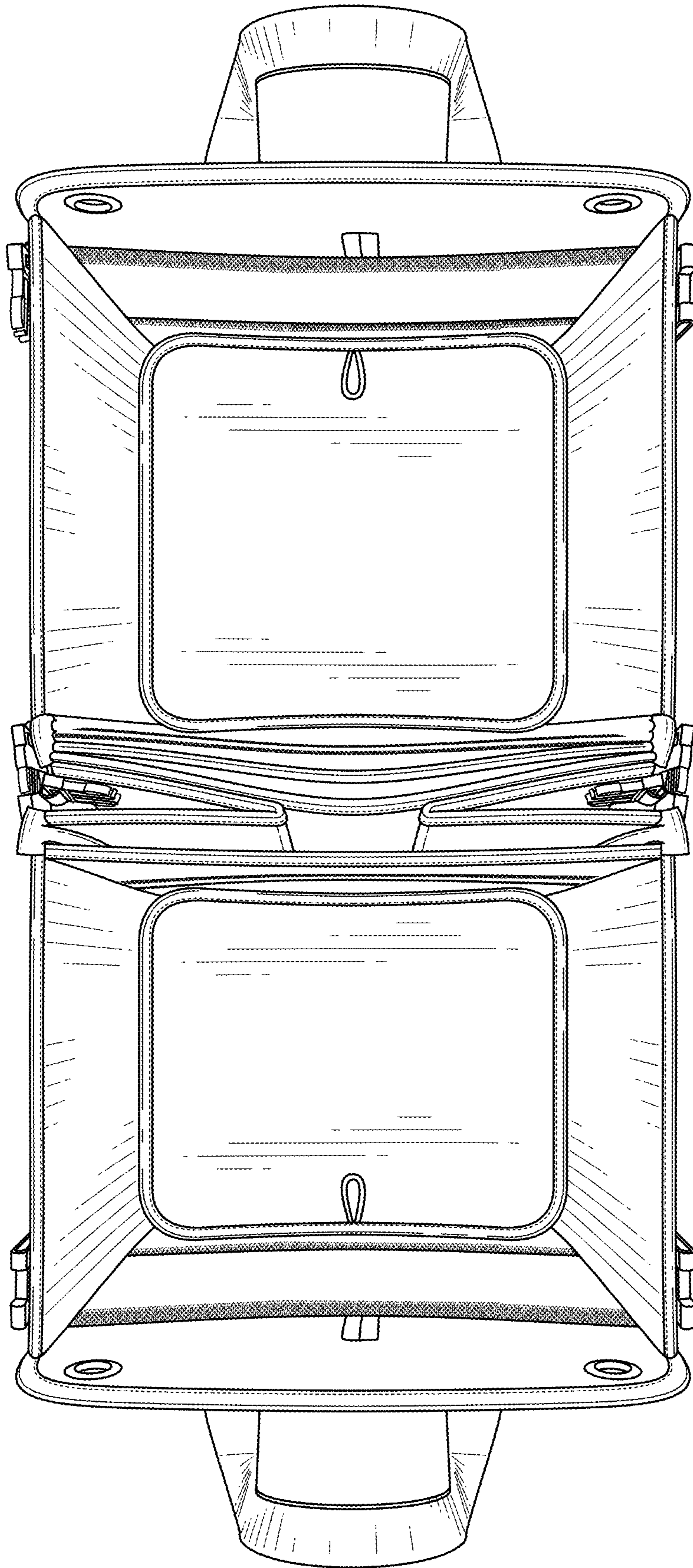


FIG. 5

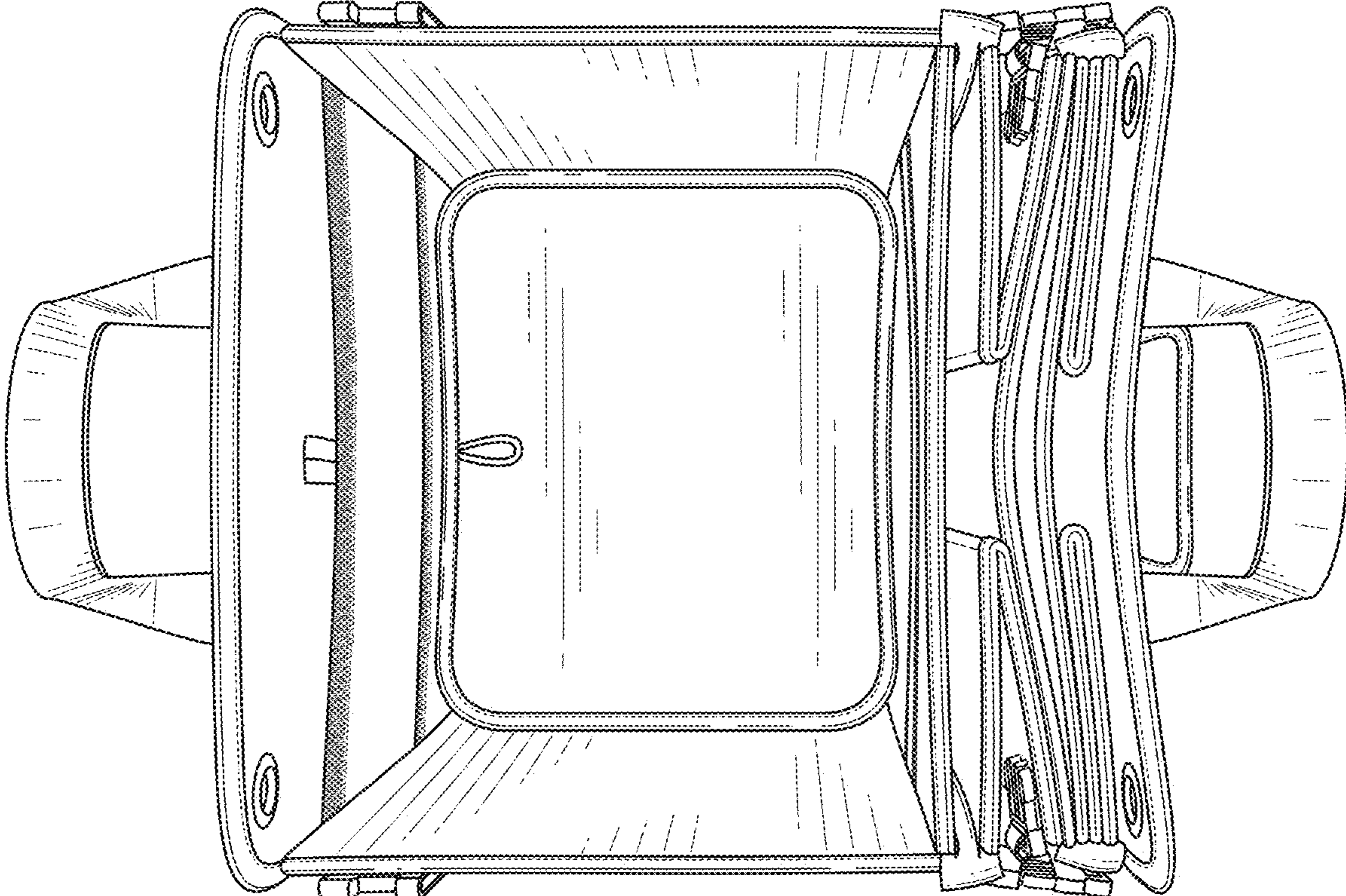


FIG. 6

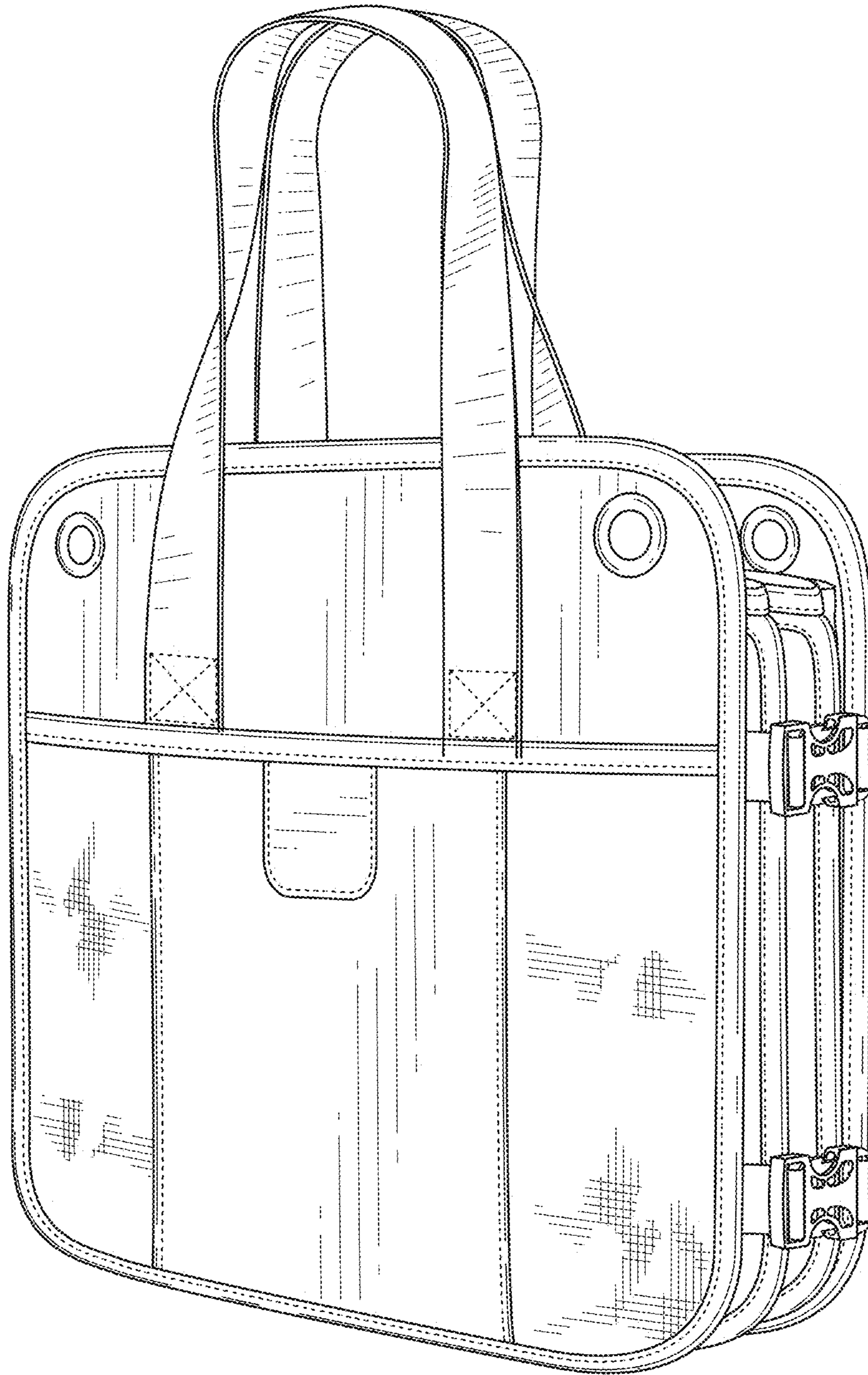


FIG. 7



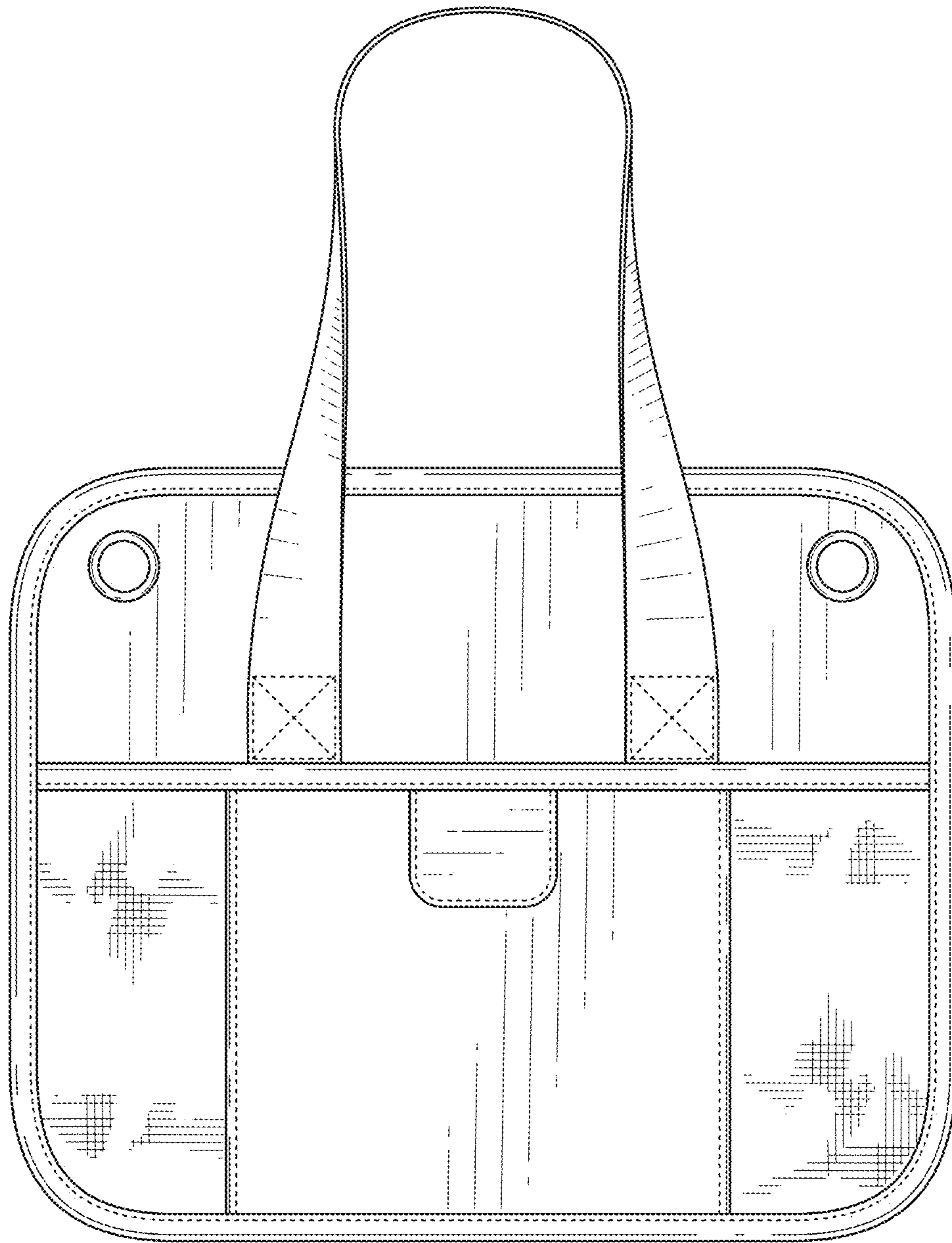


FIG. 8

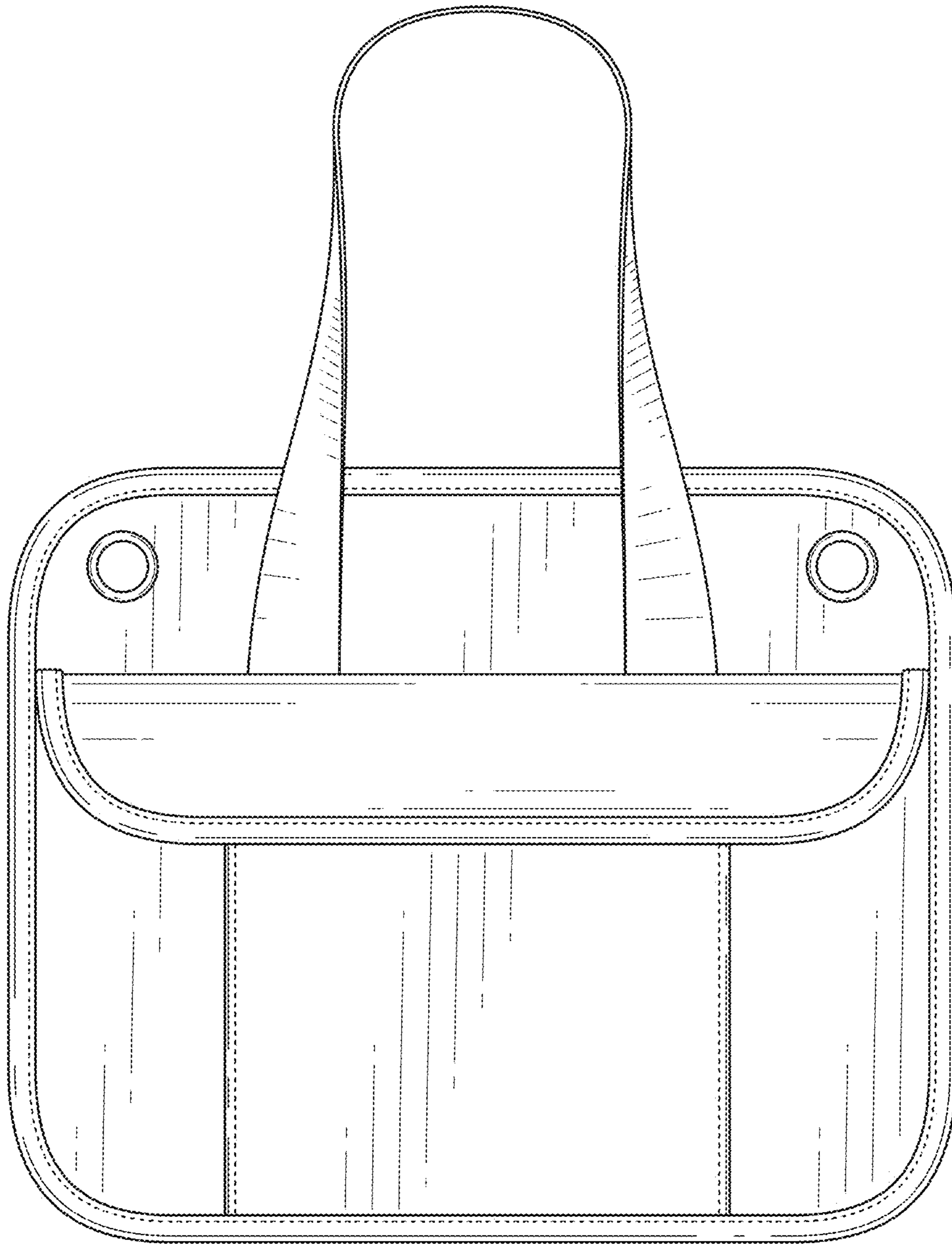


FIG. 9

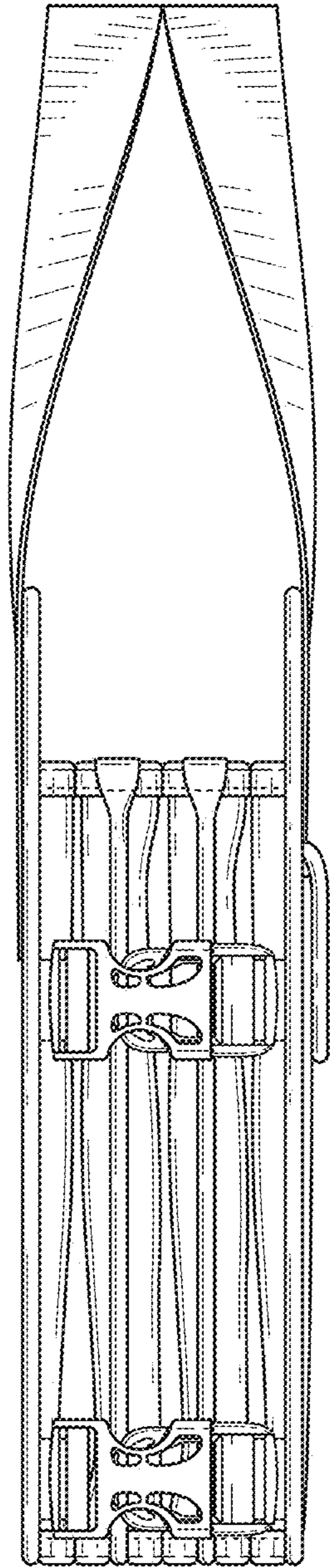


FIG. 10

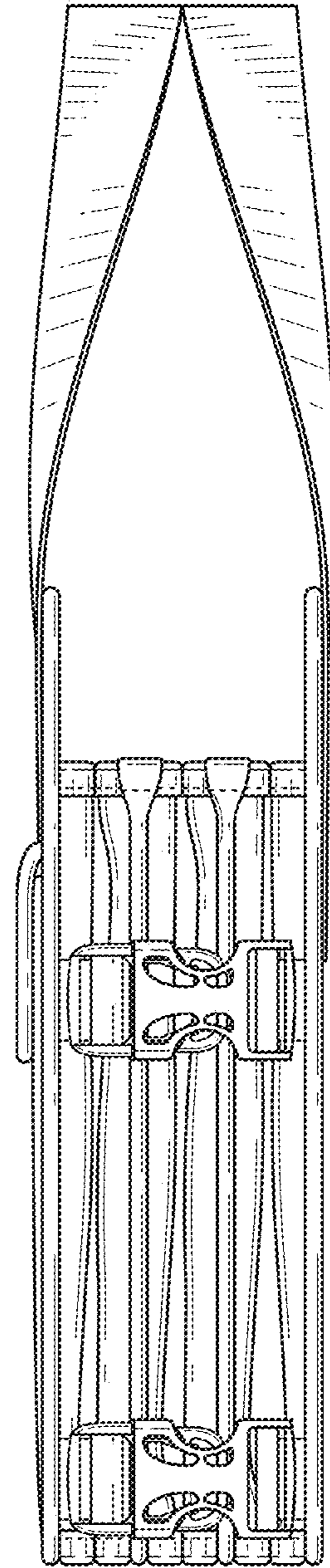


FIG. 11

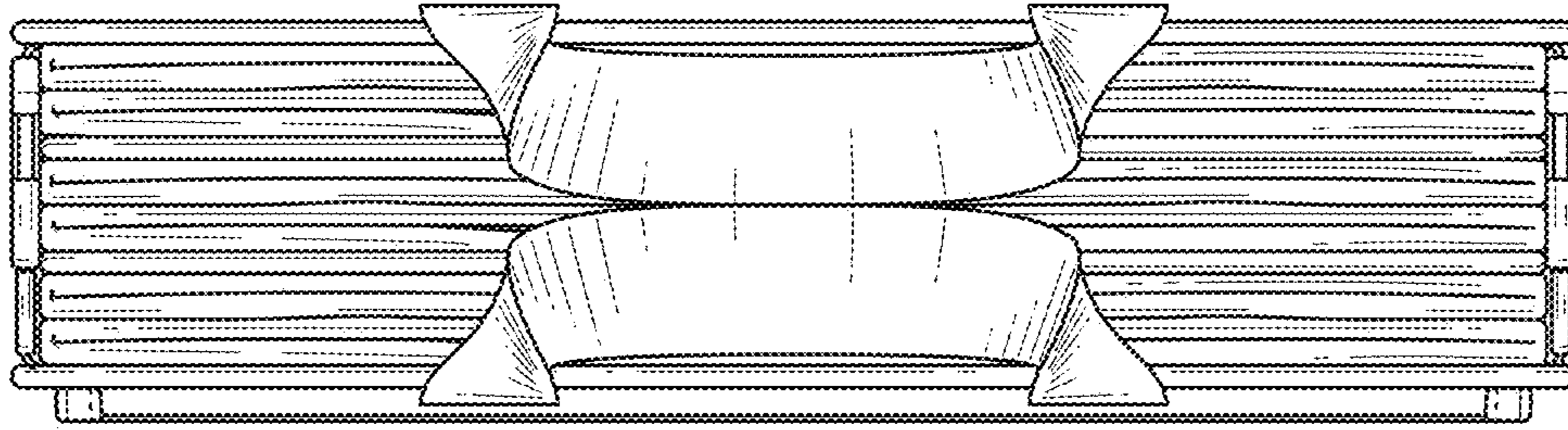


FIG. 12

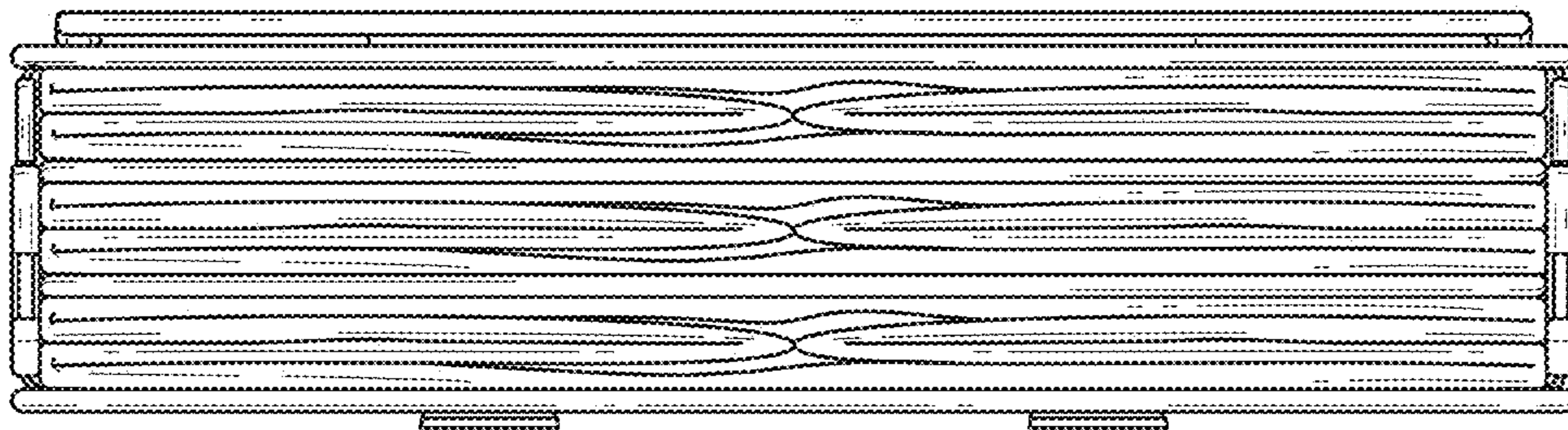


FIG. 13

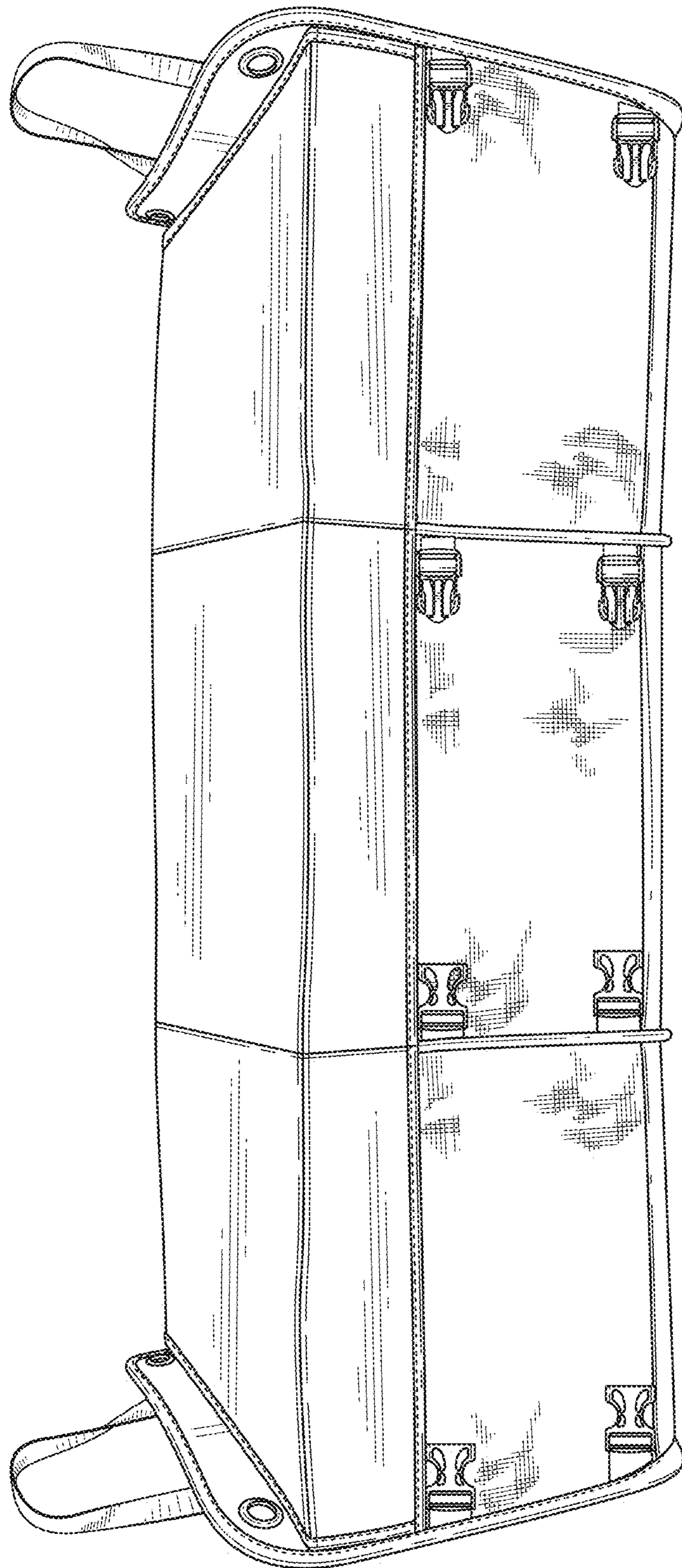


FIG. 14

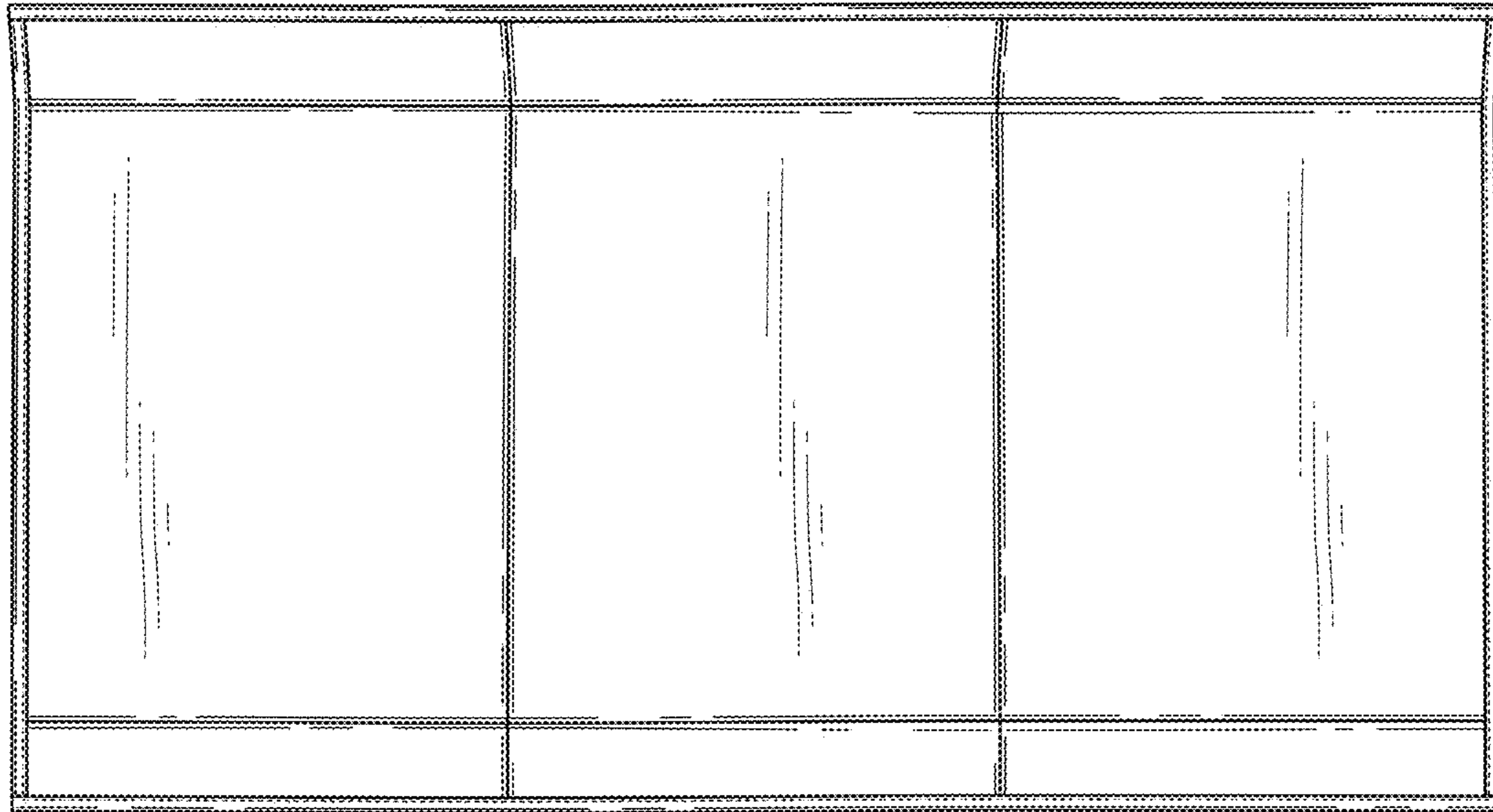


FIG. 15

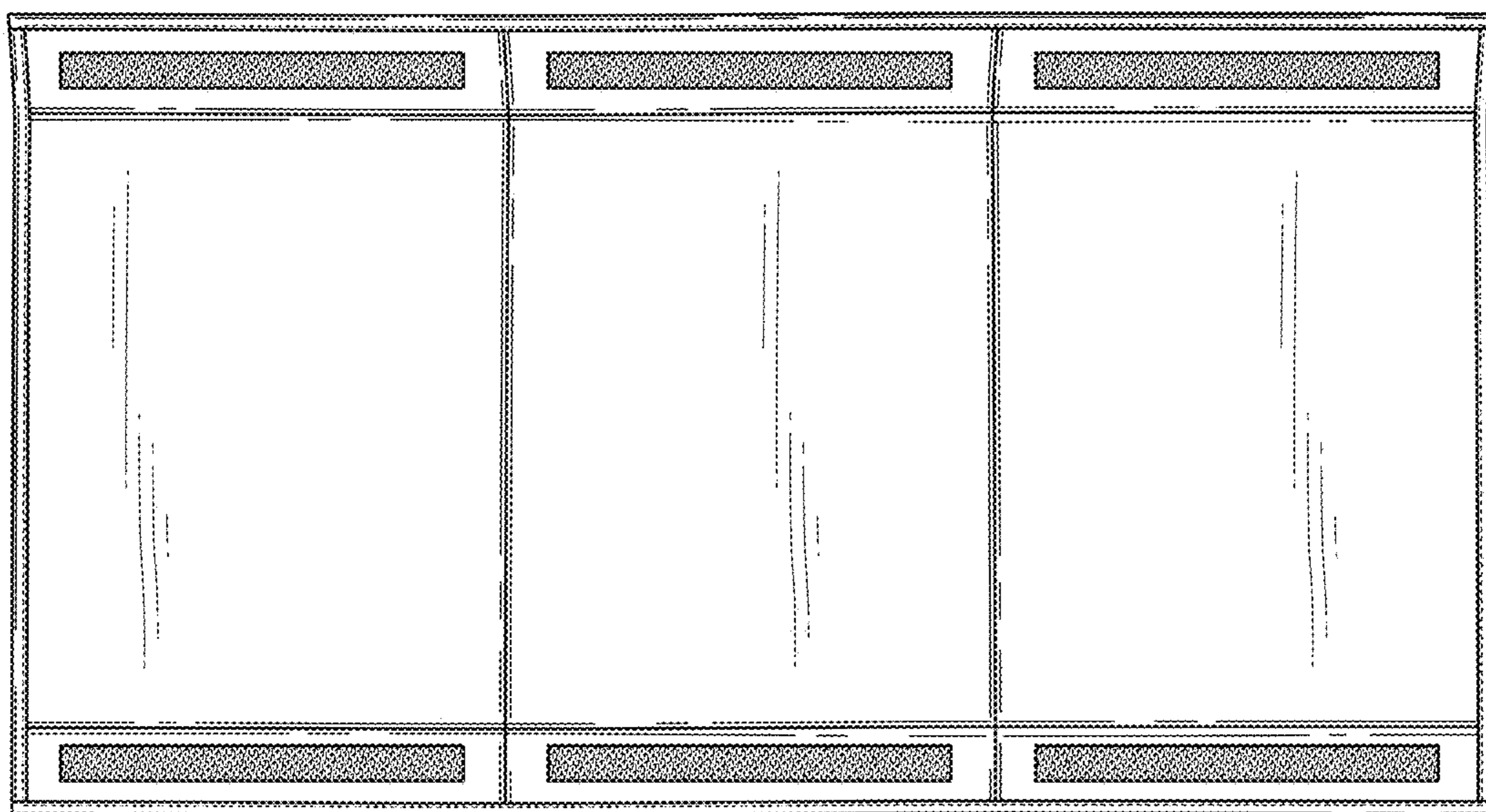


FIG. 16

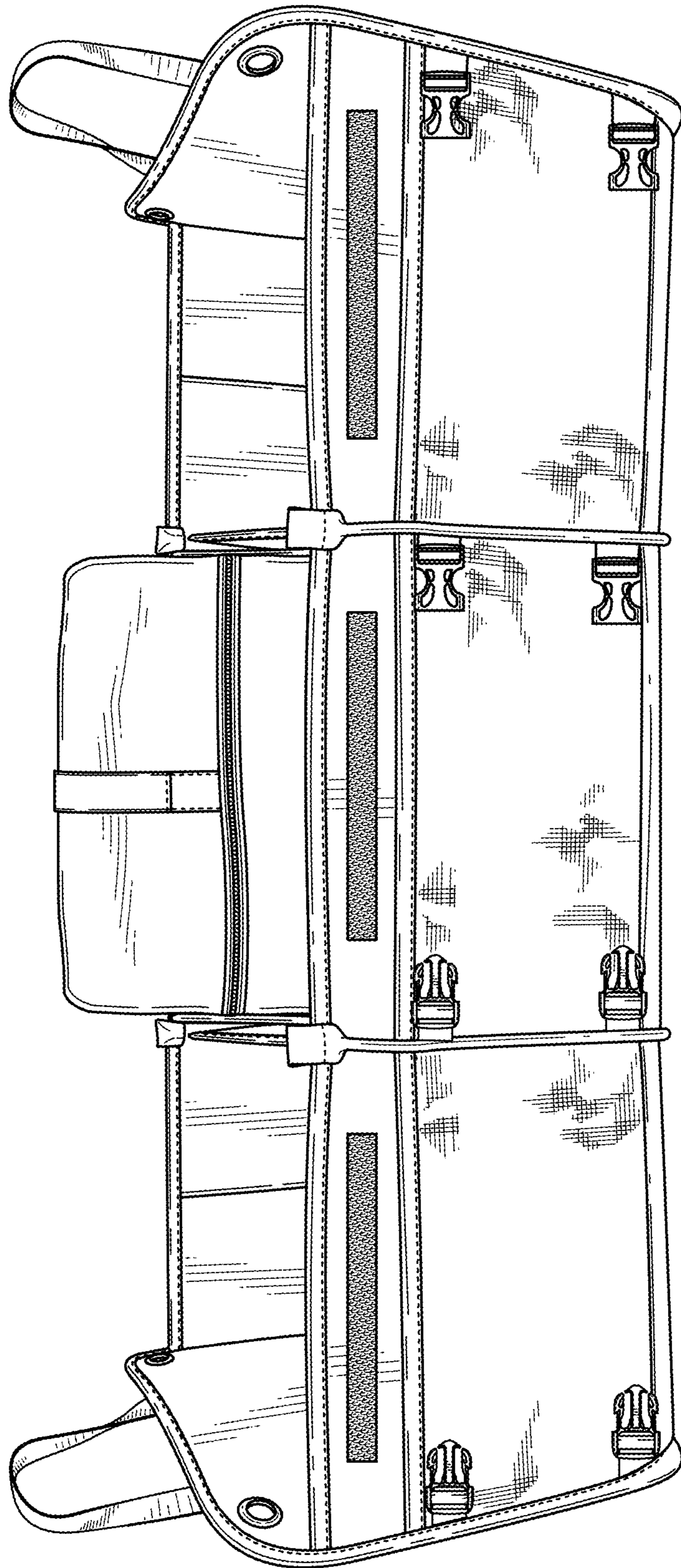


FIG. 17