



US00D875641S

(12) **United States Design Patent** (10) **Patent No.:** **US D875,641 S**  
**Schutterra et al.** (45) **Date of Patent:** **\*\* Feb. 18, 2020**

- (54) **PERSONAL SERVICE UNIT**
- (71) Applicant: **C&D Zodiac, Inc.**, Huntington Beach, CA (US)
- (72) Inventors: **Chris Schutterra**, Huntington Beach, CA (US); **Eric Heimbach**, Huntington Beach, CA (US)
- (73) Assignee: **C&D ZODIAC, INC.**, Huntington Beach, CA (US)
- (\*\*) Term: **15 Years**
- (21) Appl. No.: **29/599,434**
- (22) Filed: **Apr. 3, 2017**

- D444,443 S \* 7/2001 Wilson ..... D12/317
- D455,390 S \* 4/2002 Granzeier ..... D12/345
- D589,421 S \* 3/2009 Tupinier ..... D12/192

(Continued)

*Primary Examiner* — Marissa J Cash  
 (74) *Attorney, Agent, or Firm* — Jeffer Mangels; Butler & Mitchell LLP; Brennan C. Swain, Esq.

(57) **CLAIM**

The ornamental design for a personal service unit, as shown and described.

**DESCRIPTION**

FIG. 1 is a perspective view of the present invention; FIG. 2 is a front elevational view of the present invention shown in FIG. 1; FIG. 3 is a rear elevational view of the present invention shown in FIG. 1; FIG. 4 is a right side elevational view of the present invention shown in FIG. 1; FIG. 5 is a left side elevational view of the present invention shown in FIG. 1; FIG. 6 is a bottom plan view of the present invention shown in FIG. 1; FIG. 7 is a perspective view of a second embodiment of the present invention; FIG. 8 is a front elevational view of the second embodiment of the present invention shown in FIG. 7; FIG. 9 is a rear elevational view of the second embodiment of the present invention shown in FIG. 7; FIG. 10 is a right side elevational view of the second embodiment of the present invention shown in FIG. 7; FIG. 11 is a left side elevational view of the second embodiment of the present invention shown in FIG. 7; and, FIG. 12 is a bottom plan view of the second embodiment of the present invention shown in FIG. 7.

In the drawings, the broken lines depict portions of the personal service unit that form no part of the claimed design.

**1 Claim, 12 Drawing Sheets**

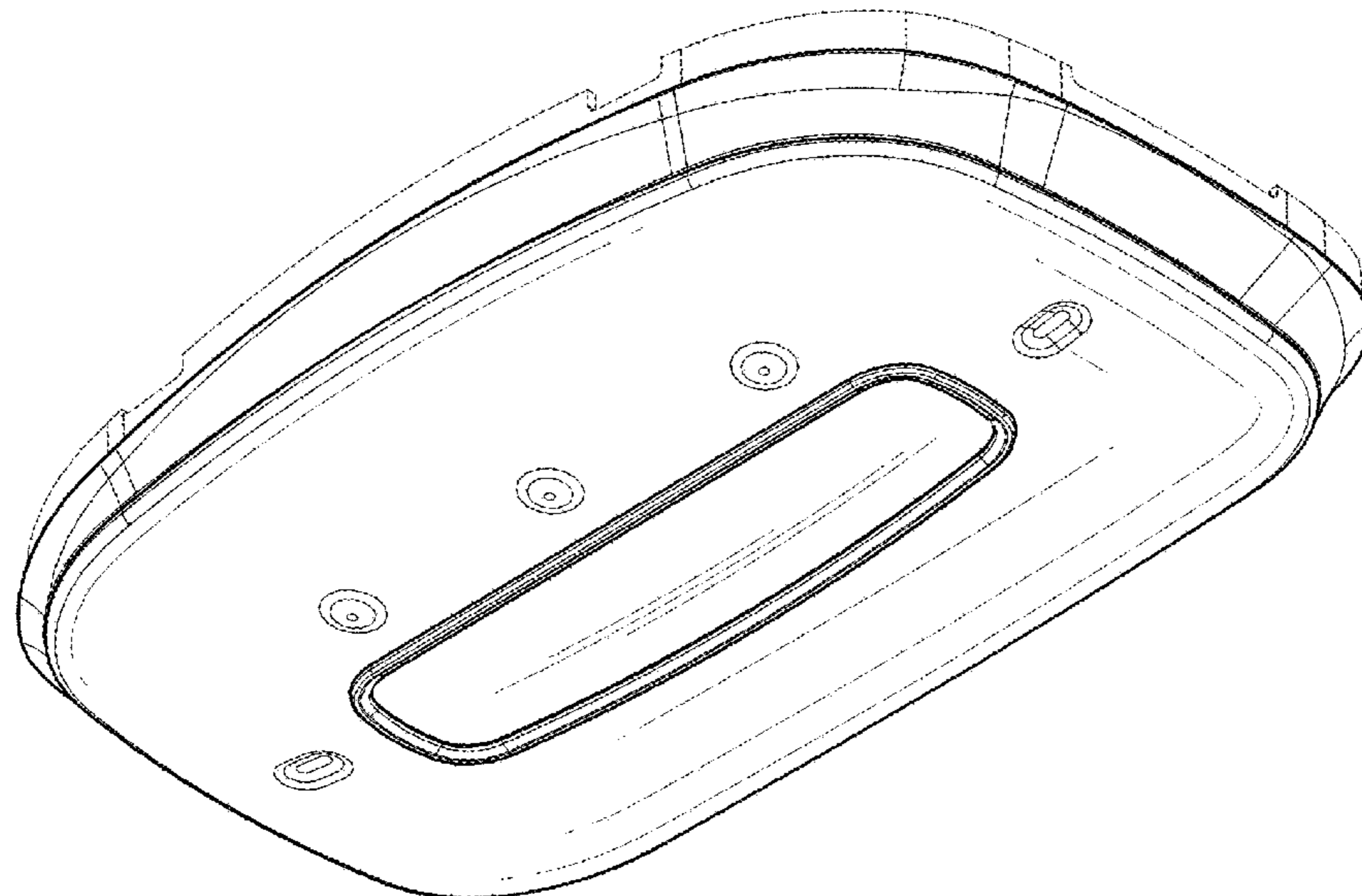
**Related U.S. Application Data**

- (60) Continuation-in-part of application No. 29/592,592, filed on Jan. 31, 2017, now Pat. No. Des. 795,161, which is a division of application No. 29/516,455, filed on Feb. 2, 2015, now Pat. No. Des. 784,904.
- (51) **LOC (12) Cl.** ..... **12-07**
- (52) **U.S. Cl.**  
USPC ..... **D12/345**
- (58) **Field of Classification Search**  
USPC ..... D12/1-4, 16.1, 319-345, 415, 417, 418, D12/423; D21/436-454  
CPC ..... B64C 39/024; B64C 13/16; B64C 19/00; B64C 2201/021; B64C 2201/141; B60H 1/3442  
See application file for complete search history.

(56) **References Cited**

**U.S. PATENT DOCUMENTS**

- D259,038 S \* 4/1981 Smith ..... D12/195
- D363,773 S \* 10/1995 Nishizawa ..... D12/345
- D373,184 S \* 8/1996 Nishizawa ..... D12/345
- D376,343 S \* 12/1996 Alcocer ..... D12/183



(56)

**References Cited**

U.S. PATENT DOCUMENTS

D590,764 S *	4/2009	Yu .....	D12/418
D600,623 S *	9/2009	Fiedler .....	D12/345
D600,624 S *	9/2009	Fiedler .....	D12/345
D624,481 S *	9/2010	Schuephaus .....	D12/345
D624,482 S *	9/2010	Schuephaus .....	D12/345
D624,483 S *	9/2010	Schuephaus .....	D12/345
D628,529 S *	12/2010	Fiedler .....	D12/345
D669,013 S *	10/2012	Schreuder .....	D12/345
D673,892 S *	1/2013	Stephan .....	D12/345
D690,255 S *	9/2013	Schutterra .....	D12/345
D706,706 S *	6/2014	Schutterra .....	D12/345
D784,904 S *	4/2017	Schutterra .....	D12/345
D788,017 S *	5/2017	Smallhorn .....	D12/345
D795,161 S *	8/2017	Schutterra .....	D12/345
D821,947 S *	7/2018	Kasparian .....	D12/195
D843,888 S *	3/2019	Wang .....	D12/16.1
2008/0112155 A1 *	5/2008	Scown .....	B60H 1/3442 362/96

\* cited by examiner

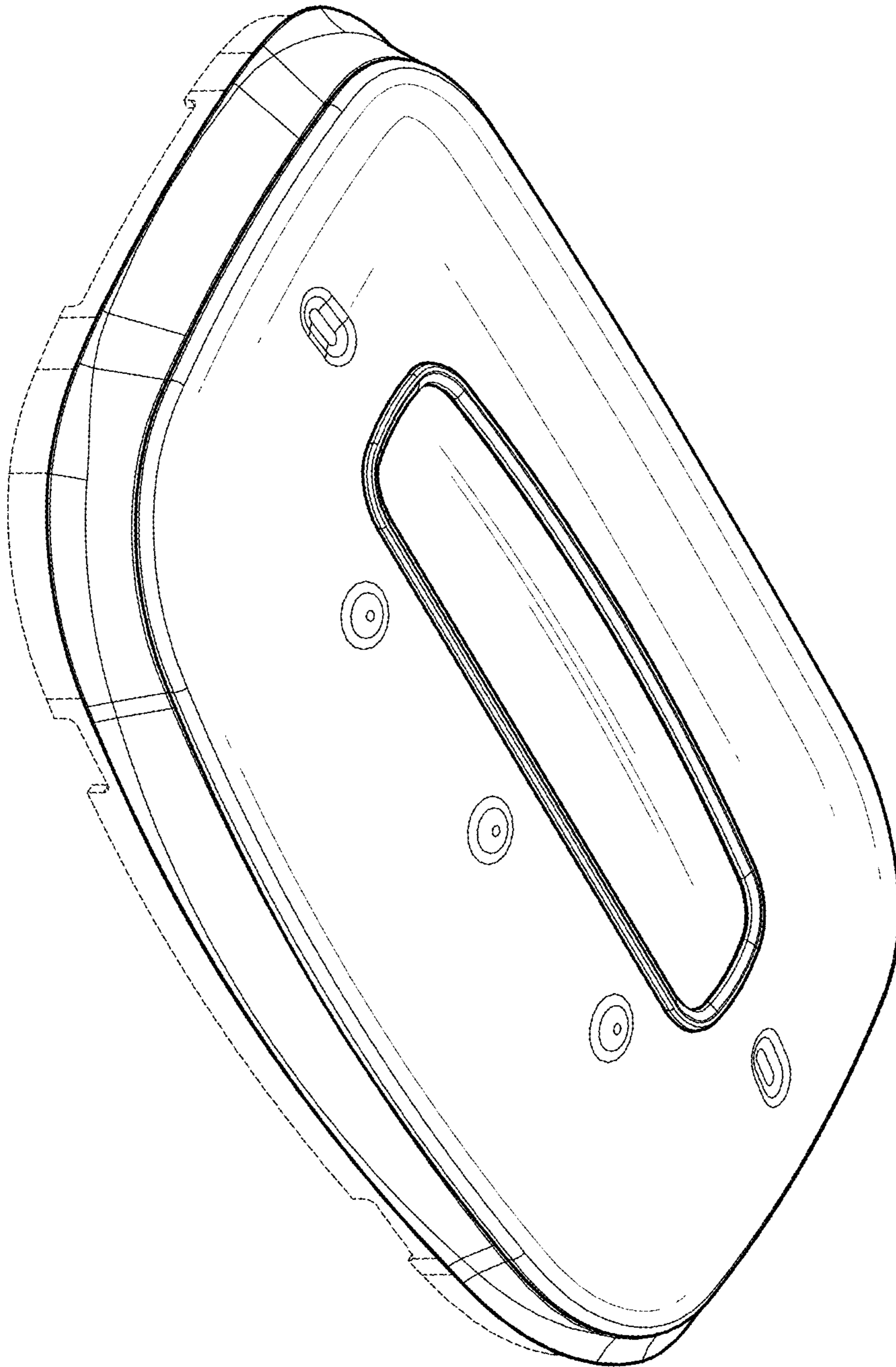


FIG. 1

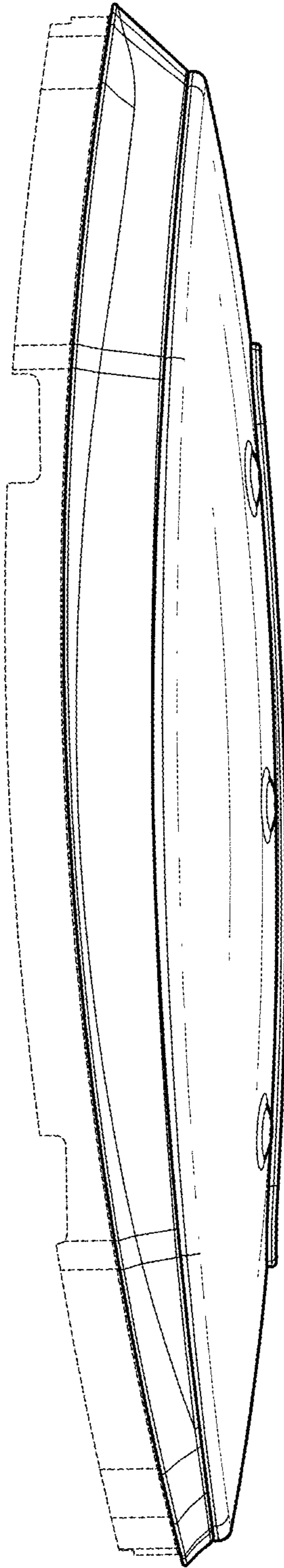


FIG. 2

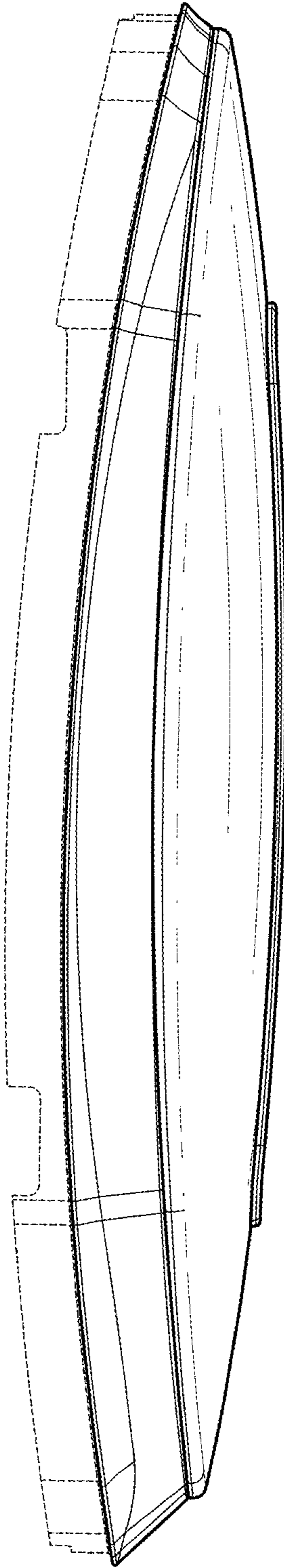


FIG. 3

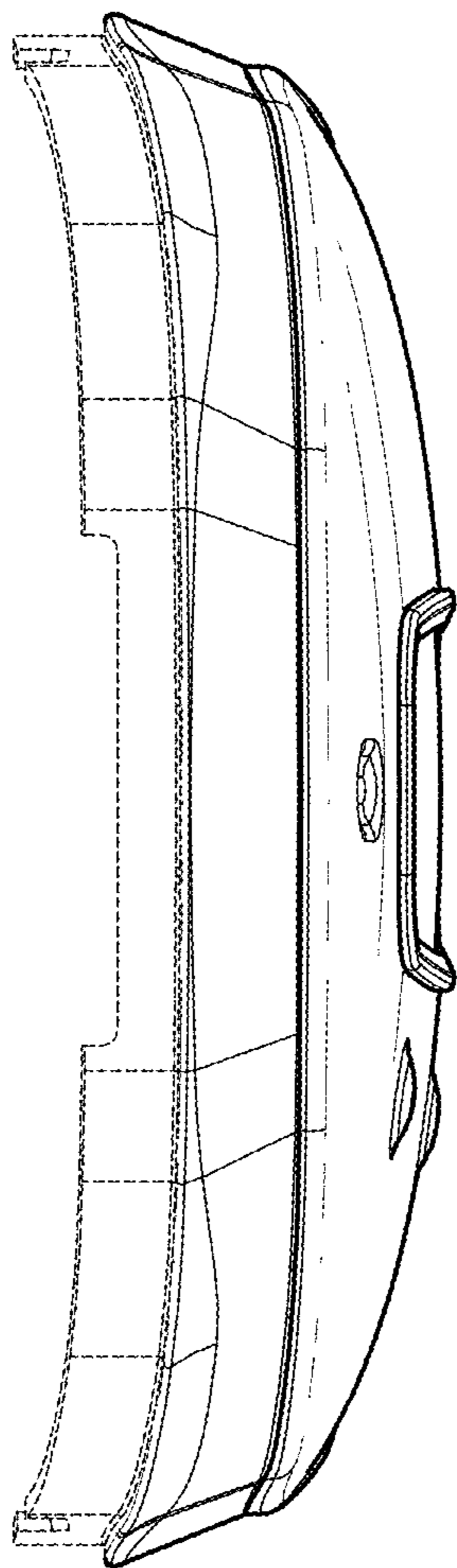


FIG. 4

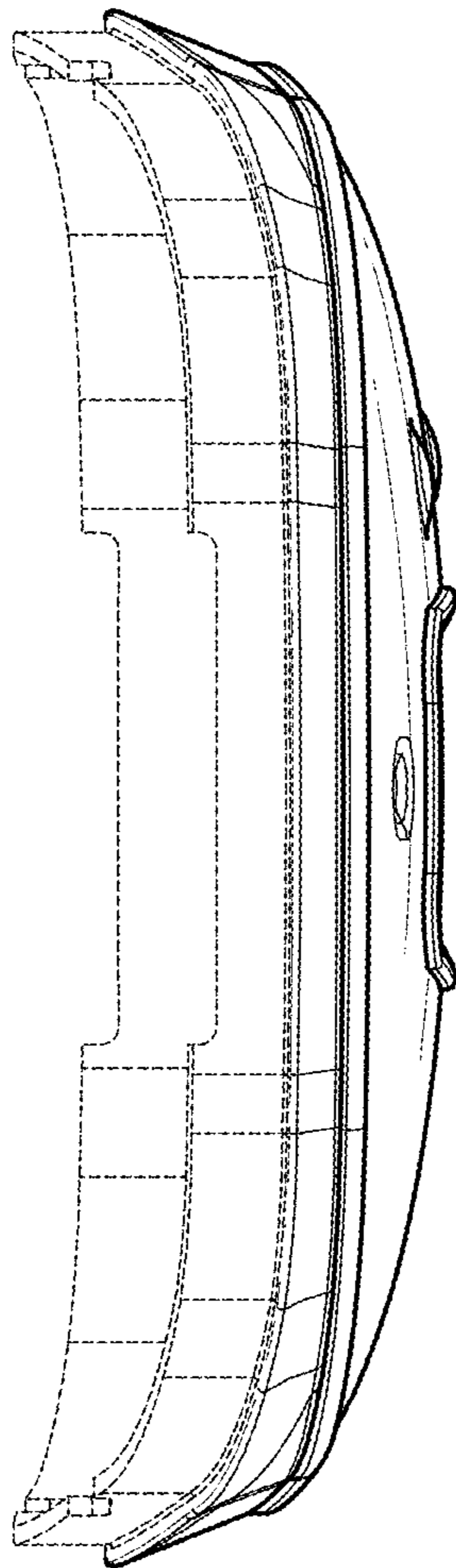


FIG. 5

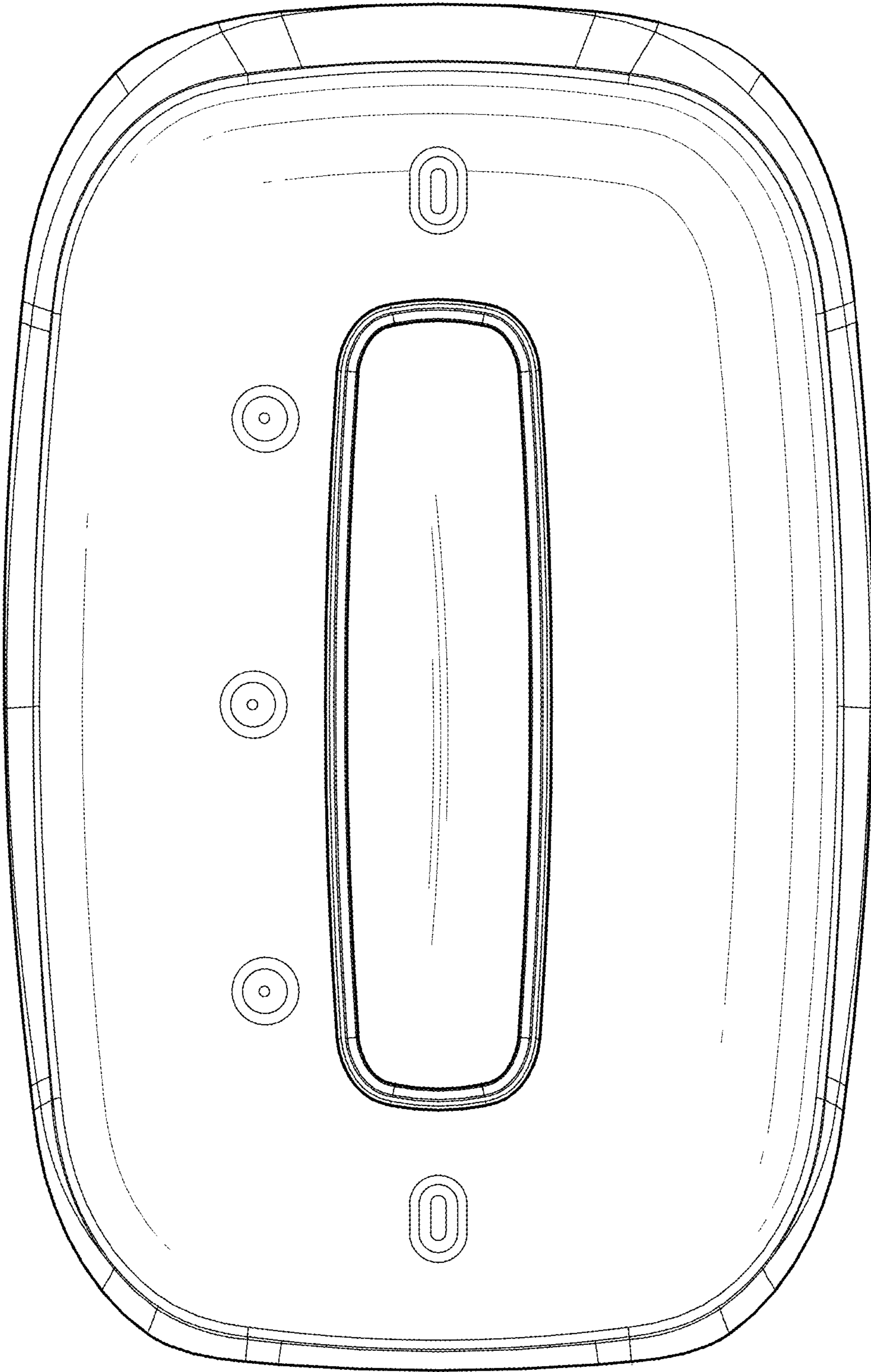


FIG. 6



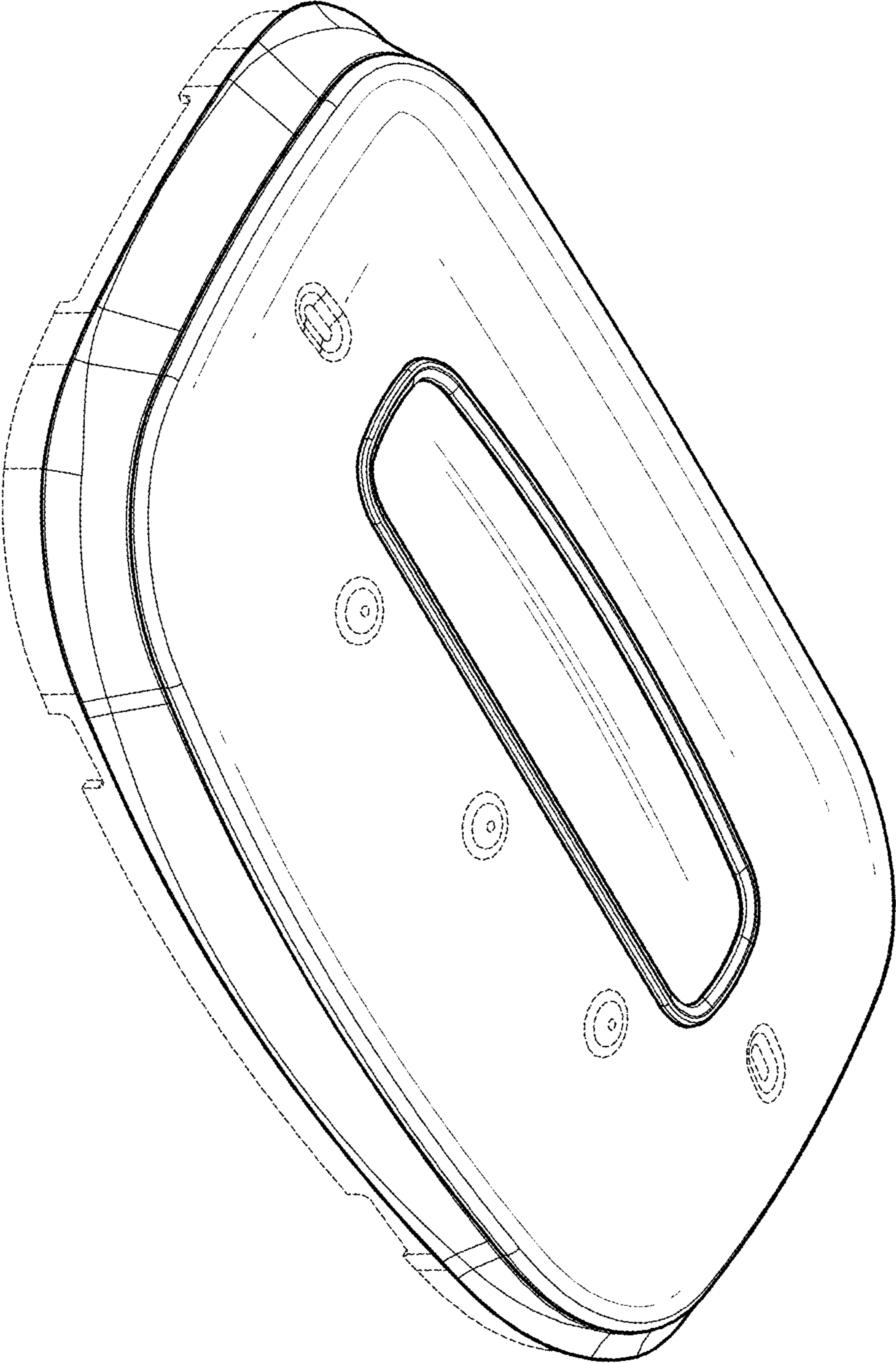


FIG. 7

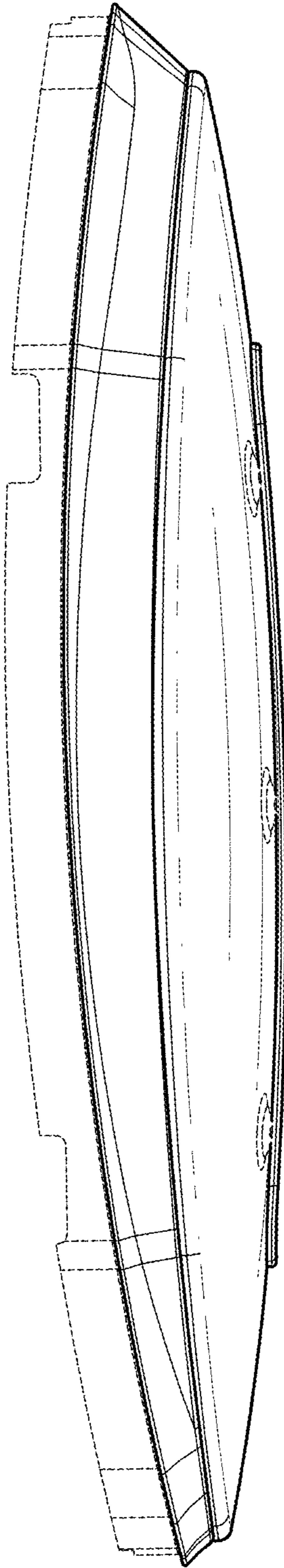
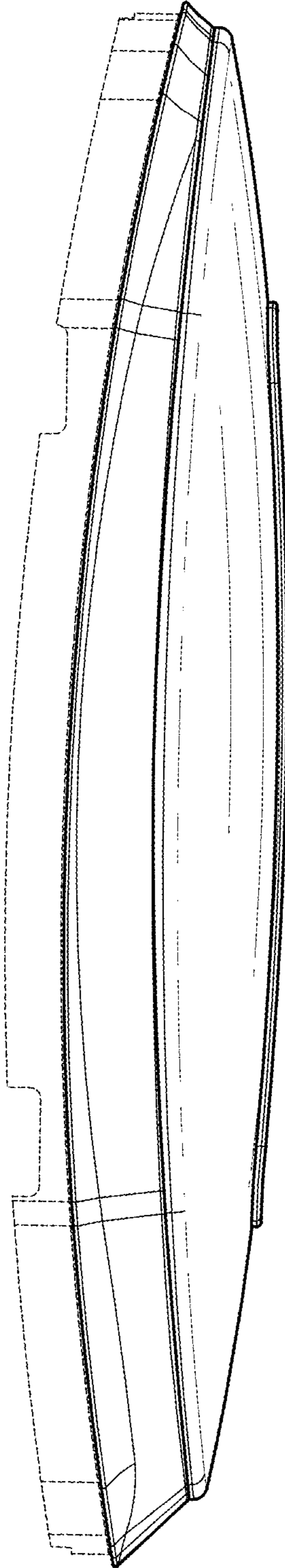
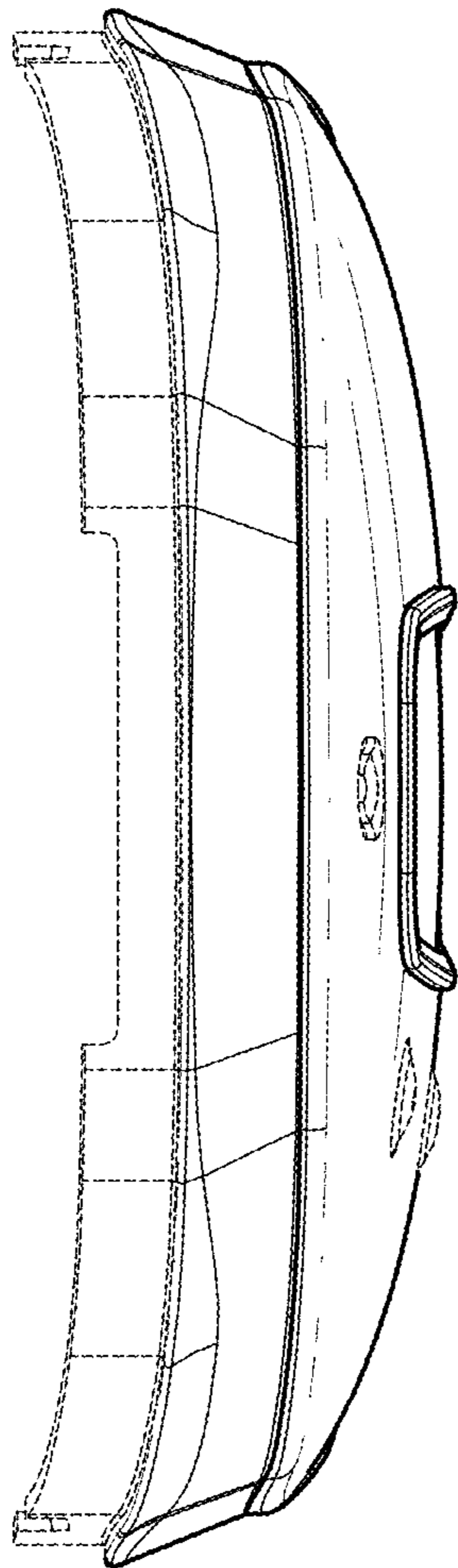


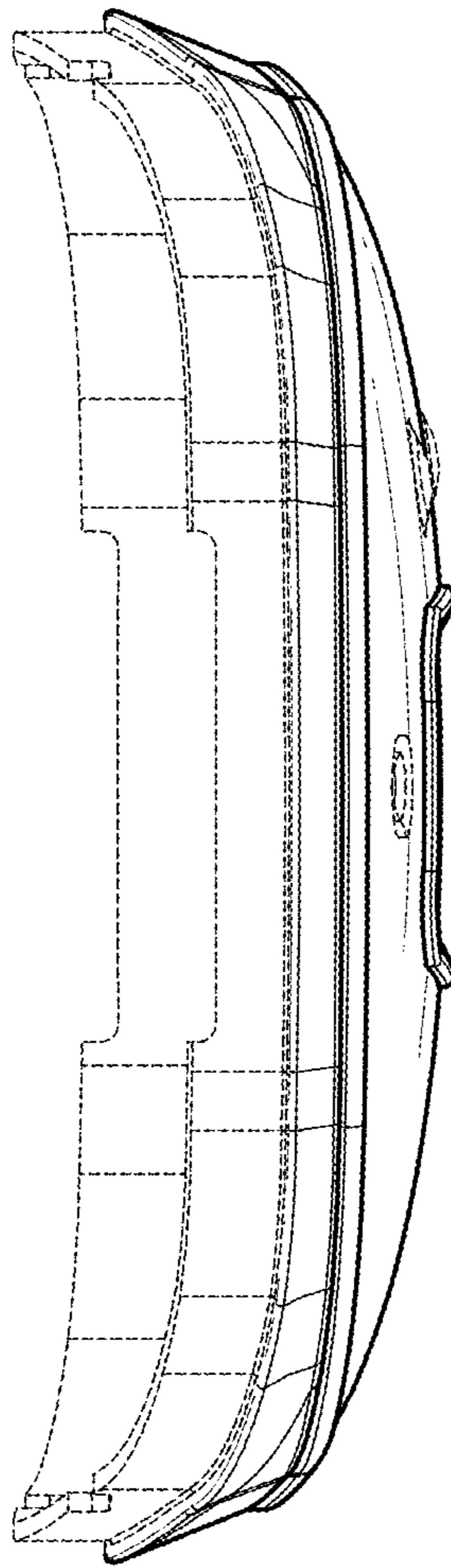
FIG. 8



*FIG. 9*



*FIG. 10*



*FIG. 11*

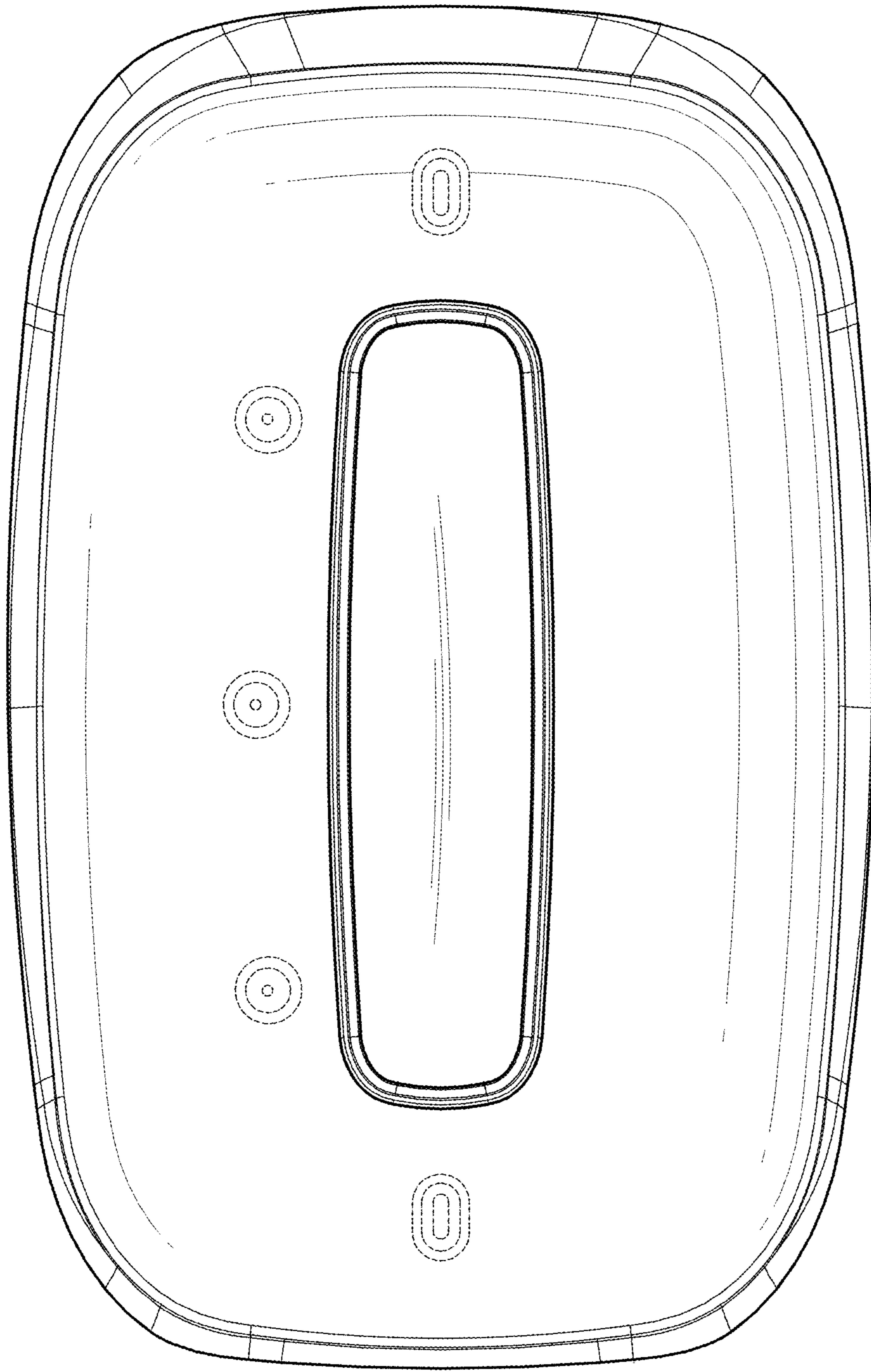


FIG. 12