



US00D875640S

(12) **United States Design Patent** (10) **Patent No.:** **US D875,640 S**
Sveum et al. (45) **Date of Patent:** **** Feb. 18, 2020**

(54) **WHEEL CHOCK**
(71) Applicant: **Rite-Hite Holding Corporation,**
Milwaukee, WI (US)
(72) Inventors: **Matthew Sveum,** Wauwatosa, WI (US);
Alan Mushynski, Brookfield, WI (US)
(73) Assignee: **RITE-HITE HOLDING**
CORPORATION, Milwaukee, WI
(US)
(**) Term: **15 Years**
(21) Appl. No.: **29/629,044**
(22) Filed: **Dec. 11, 2017**
(51) **LOC (12) Cl.** **12-16**
(52) **U.S. Cl.**
USPC **D12/217**
(58) **Field of Classification Search**
USPC D12/217, 400, 223; D34/31, 32, 38;
D25/102, 113; D8/354
See application file for complete search history.

D316,243 S * 4/1991 Henry D12/217
D326,254 S * 5/1992 Ziaylek, Jr. D12/217
D409,554 S * 5/1999 Henry D12/217
D503,139 S * 3/2005 Colak D12/217
D520,438 S * 5/2006 Colak D12/217
7,040,461 B2* 5/2006 Chrisco B60T 3/00
188/32
D543,926 S * 6/2007 Kutzler D12/217
(Continued)

OTHER PUBLICATIONS

United States Patent and Trademark Office, "Notice of Allowance and Fee(s) Due," issued in connection with U.S. Appl. No. 29/629,036, dated Apr. 2, 2019, 20 pages.

(Continued)

Primary Examiner — Stacia A Cadmus
(74) *Attorney, Agent, or Firm* — Hanley, Flight & Zimmerman, LLC

(57) **CLAIM**

The ornamental design for a wheel chock, as shown and described.

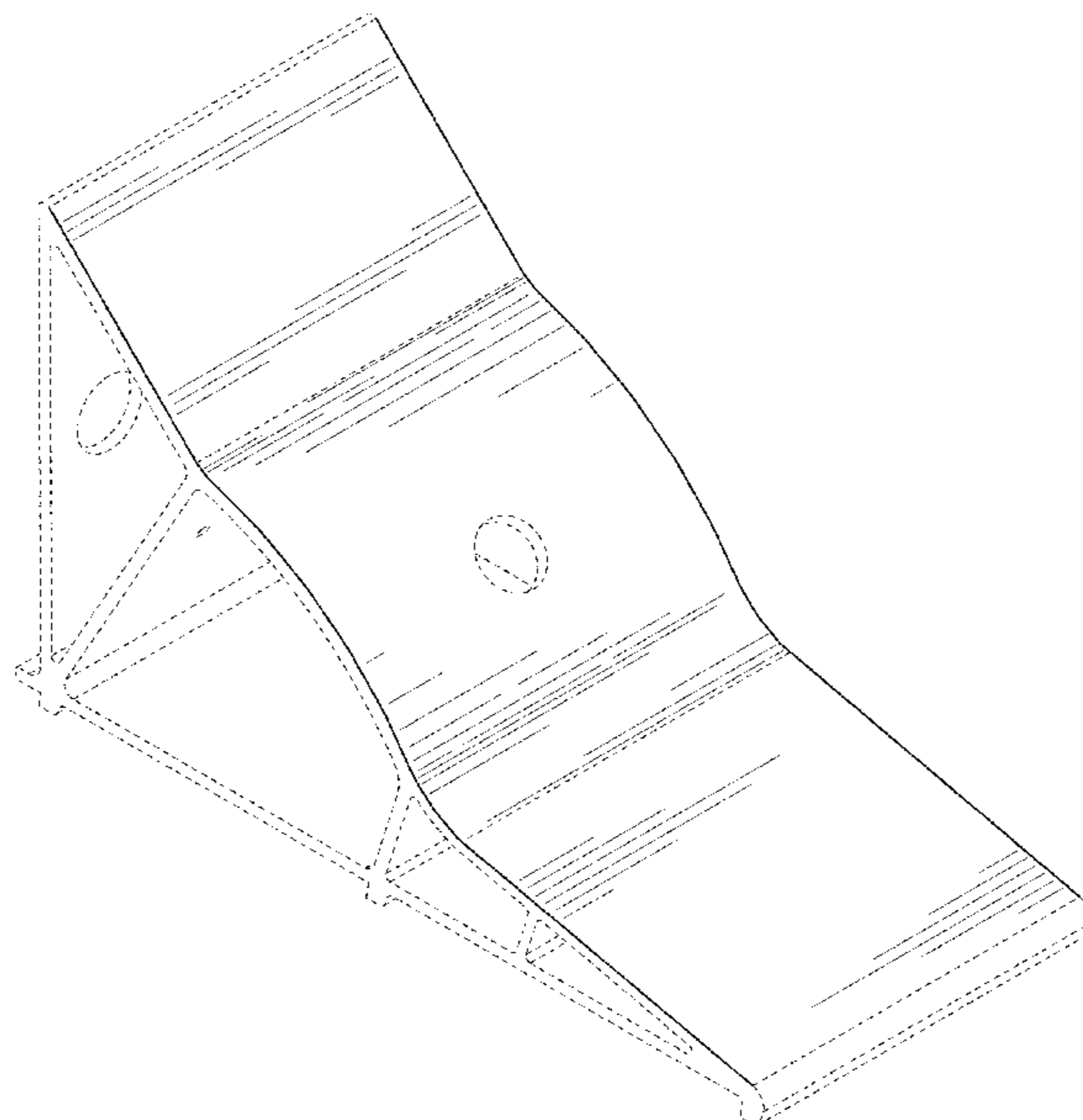
DESCRIPTION

FIG. 1 is a front and left side perspective view of a wheel chock showing our new design;
FIG. 2 is a left side elevation view thereof;
FIG. 3 is a right side elevation view thereof;
FIG. 4 is a front elevation view thereof;
FIG. 5 is a rear elevation view thereof;
FIG. 6 is a top plan view thereof;
FIG. 7 is a bottom plan view thereof; and,
FIG. 8 is a rear and right side perspective view thereof.
The broken lines in the drawings illustrate portions of the wheel chock that form no part of the claimed design.

1 Claim, 5 Drawing Sheets

(56) **References Cited**
U.S. PATENT DOCUMENTS

D57,774 S * 5/1921 Francis D12/217
D210,304 S * 2/1968 Davis D12/217
D219,236 S * 11/1970 Hudak et al. D12/217
3,647,029 A * 3/1972 Hanley B60T 3/00
188/32
D235,332 S * 6/1975 Richilano D12/217
3,993,167 A * 11/1976 Reed B60T 3/00
188/32
4,144,951 A * 3/1979 Rea B60T 3/00
188/32
4,781,271 A * 11/1988 Wokeck B60T 3/00
188/32
4,917,219 A * 4/1990 Henry B60T 3/00
188/32



(56)

References Cited

U.S. PATENT DOCUMENTS

D857,602 S * 8/2019 Sveum D12/217

OTHER PUBLICATIONS

PRC National Intellectual Property Administration, "Notice of Granting Patent Right for Design," issued in connection with Chinese Design Application No. 201830292408.X, dated Sep. 14, 2018, 3 pages.

Intellectual Property Australia, "Certificate of Registration," issued in connection with Australian Design No. 201813456, dated Jul. 6, 2018, 8 pages.

Intellectual Property Australia, "Certificate of Registration," issued in connection with Australian Design No. 201813460, dated Jul. 9, 2018, 8 pages.

Intellectual Property Australia, "Certificate of Registration," issued in connection with Australian Design No. 201813461, dated Jul. 6, 2018, 8 pages.

Intellectual Property Australia, "Certificate of Registration," issued in connection with Australian Design No. 201813462, dated Jul. 6, 2018, 8 pages.

United States Patent and Trademark Office, "Non-Final Office Action," issued in connection with U.S. Appl. No. 29/629,050, dated Oct. 3, 2019, 22 pages.

United States Patent and Trademark Office, "Non-Final Office Action," issued in connection with U.S. Appl. No. 29/629,082, dated Oct. 3, 2019, 21 pages.

* cited by examiner

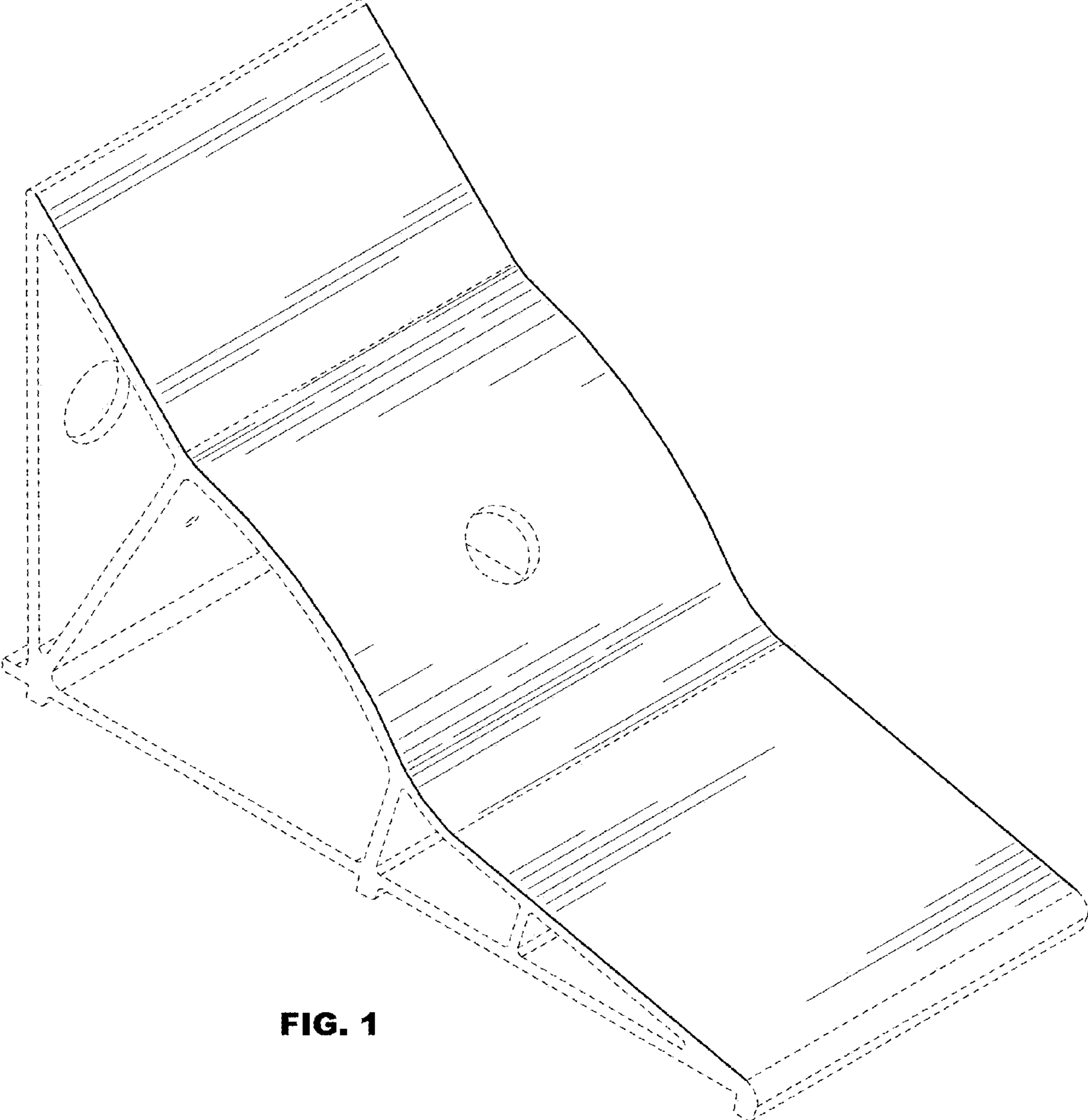


FIG. 1

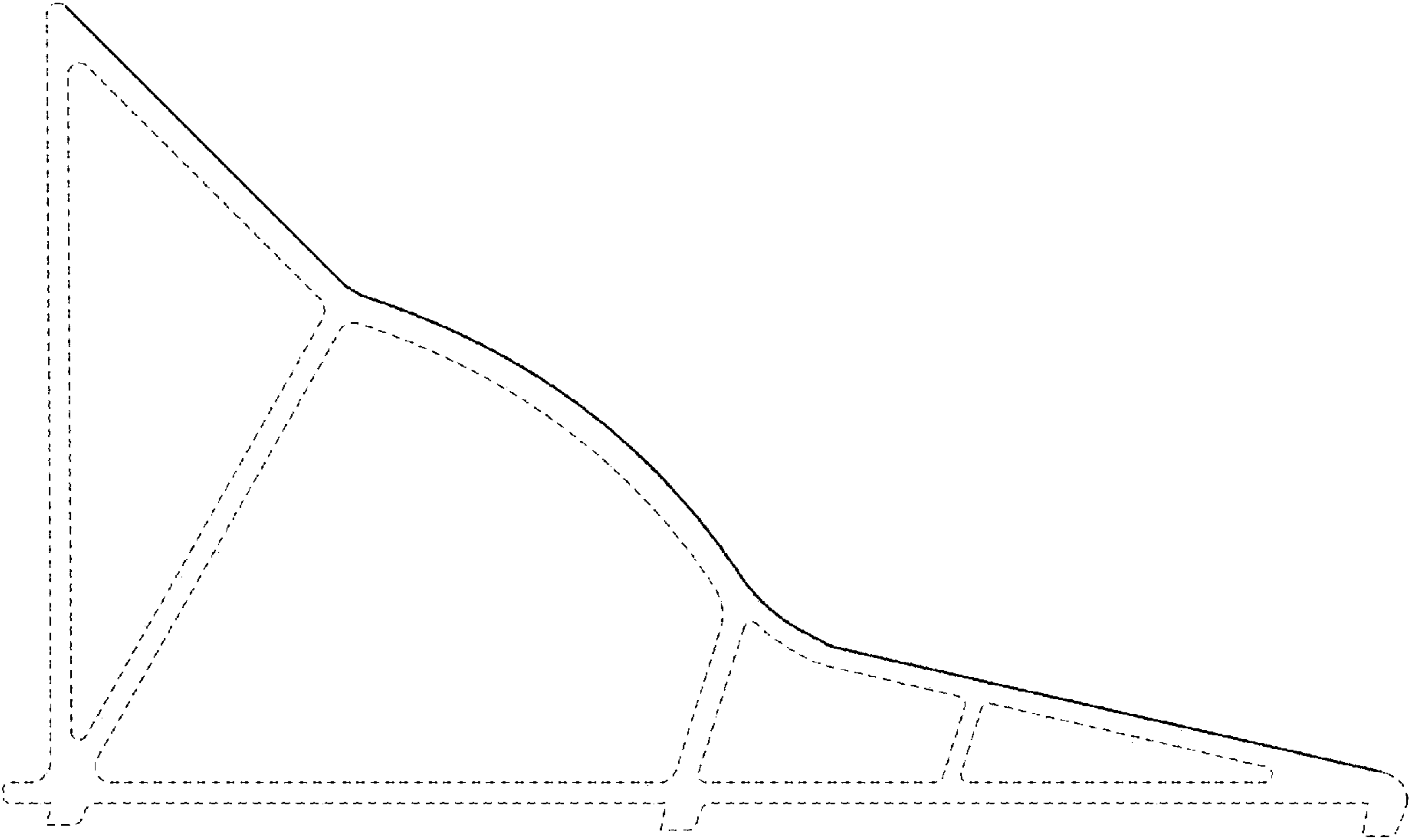


FIG. 2

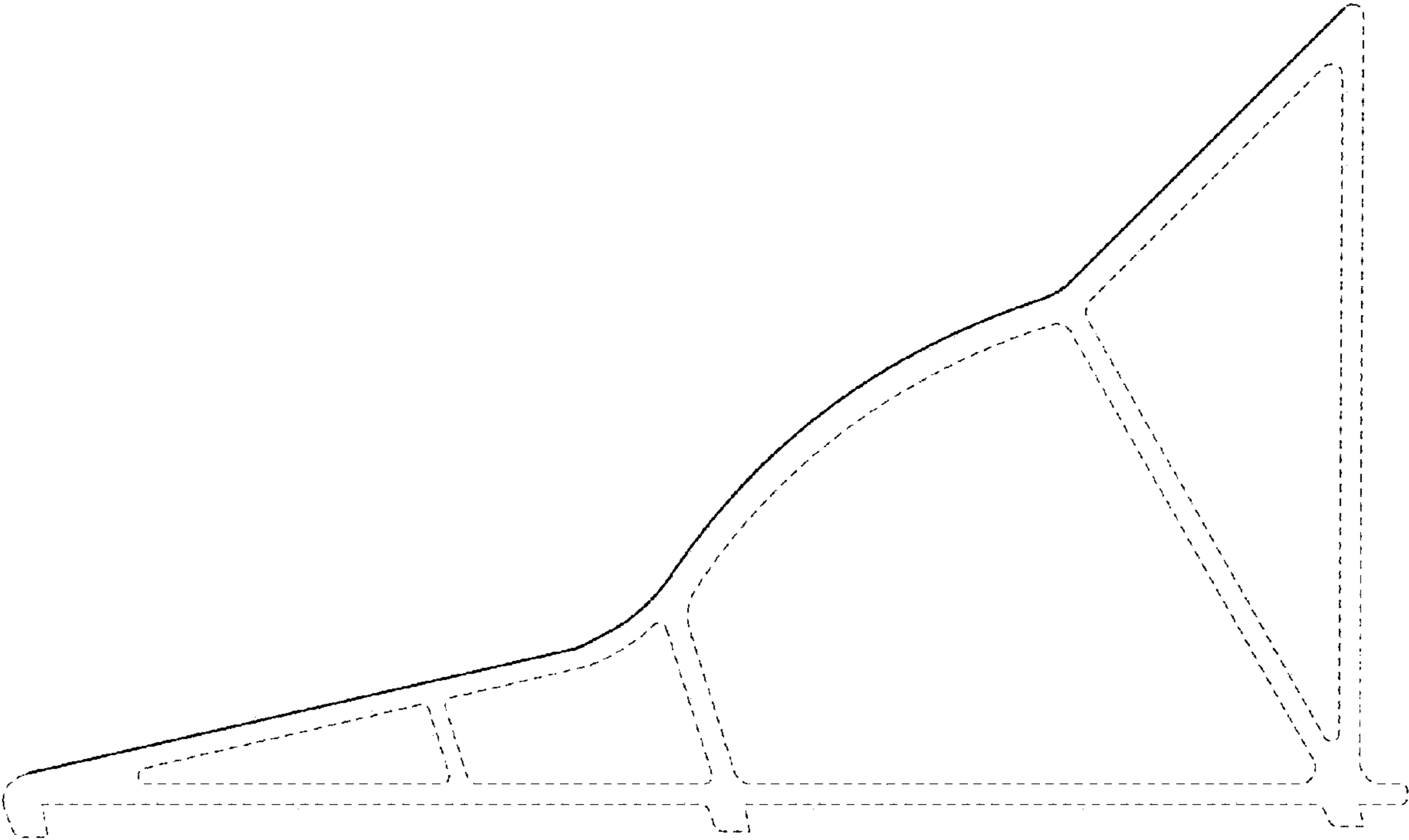


FIG. 3

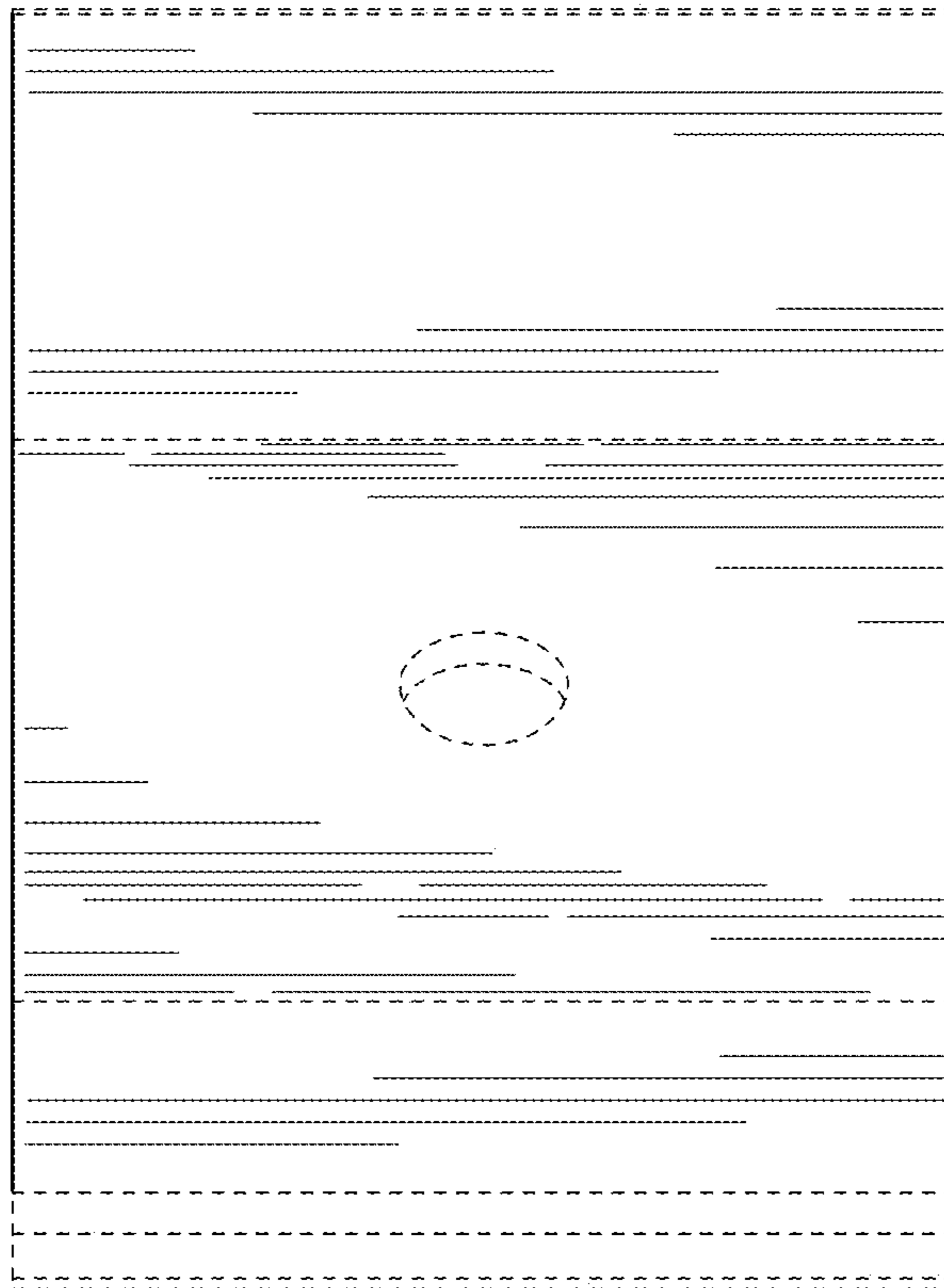


FIG. 4

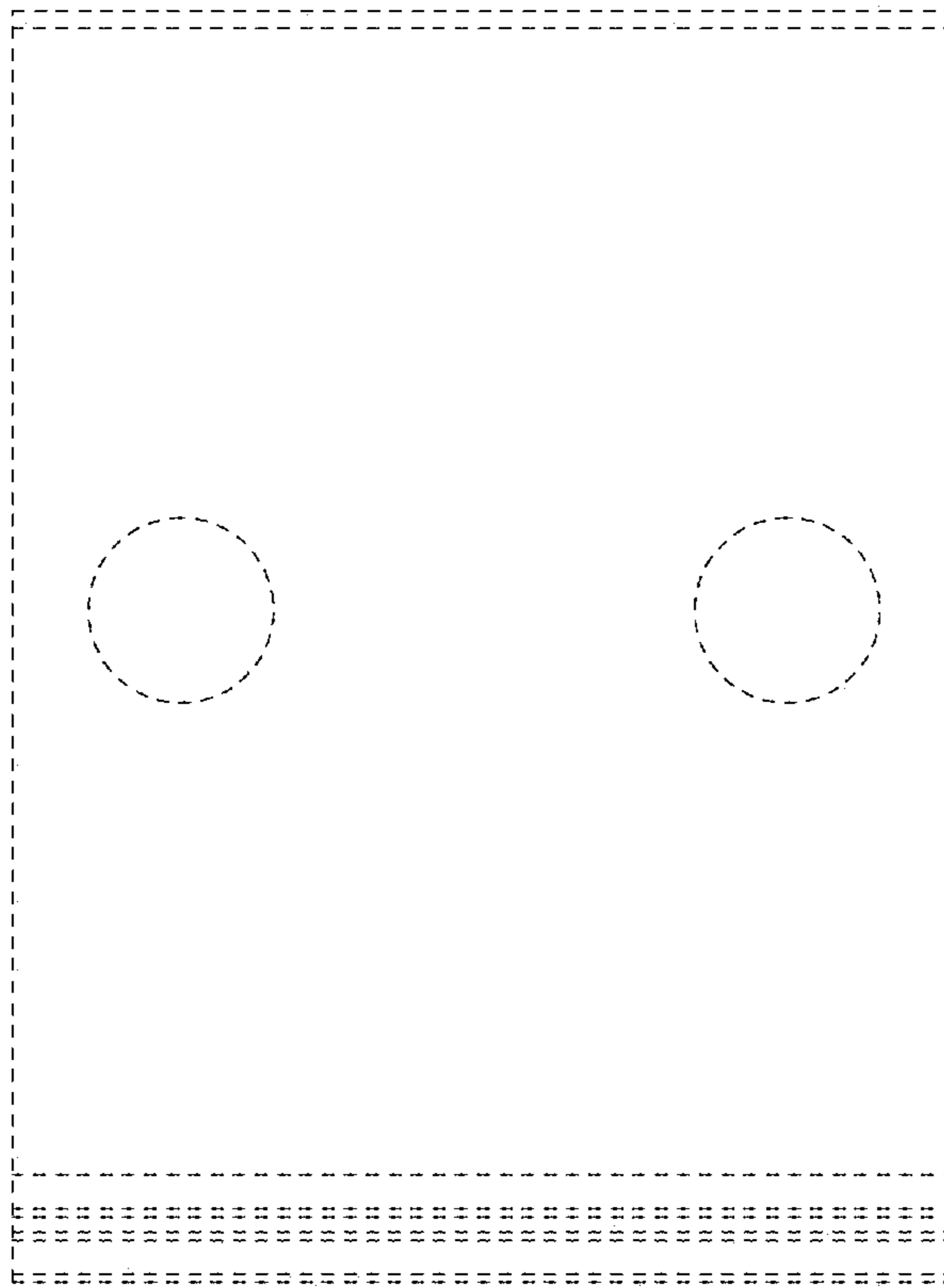


FIG. 5

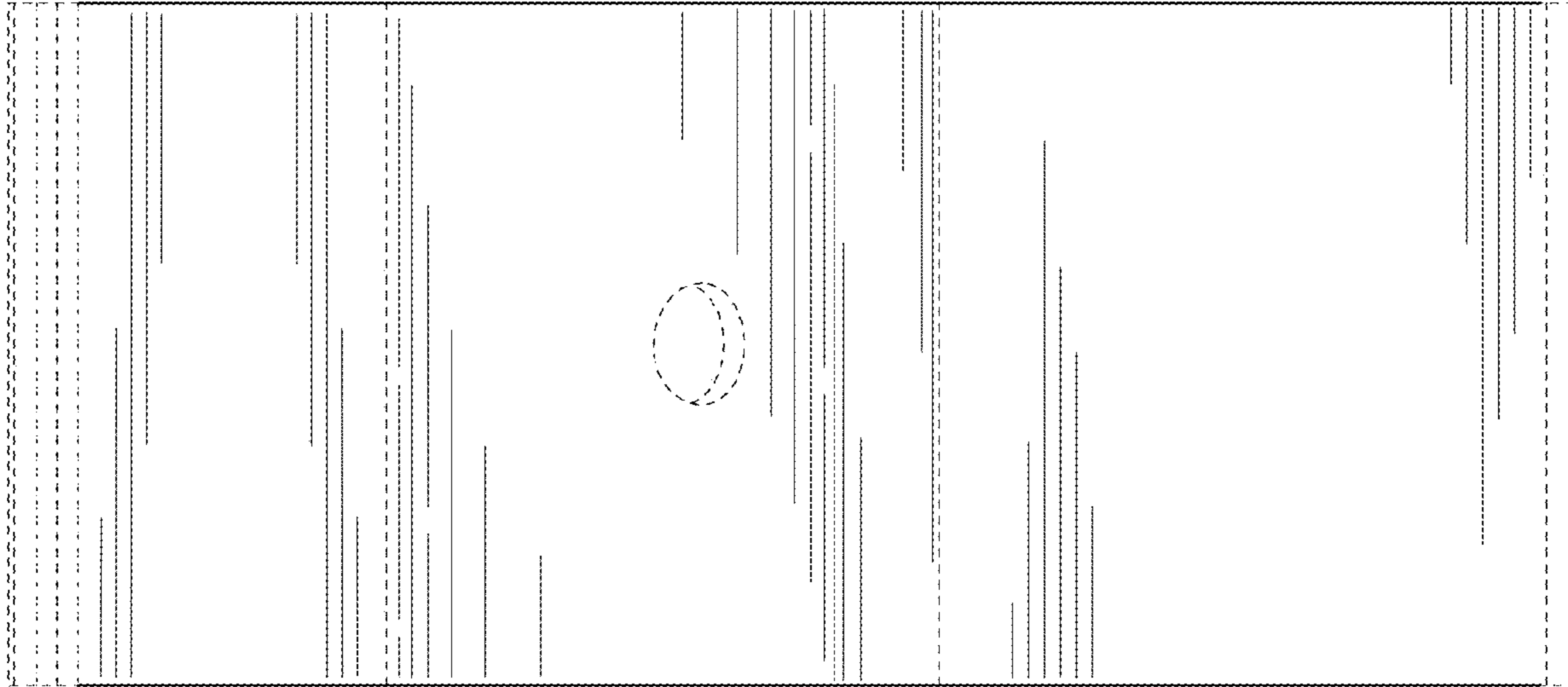


FIG. 6

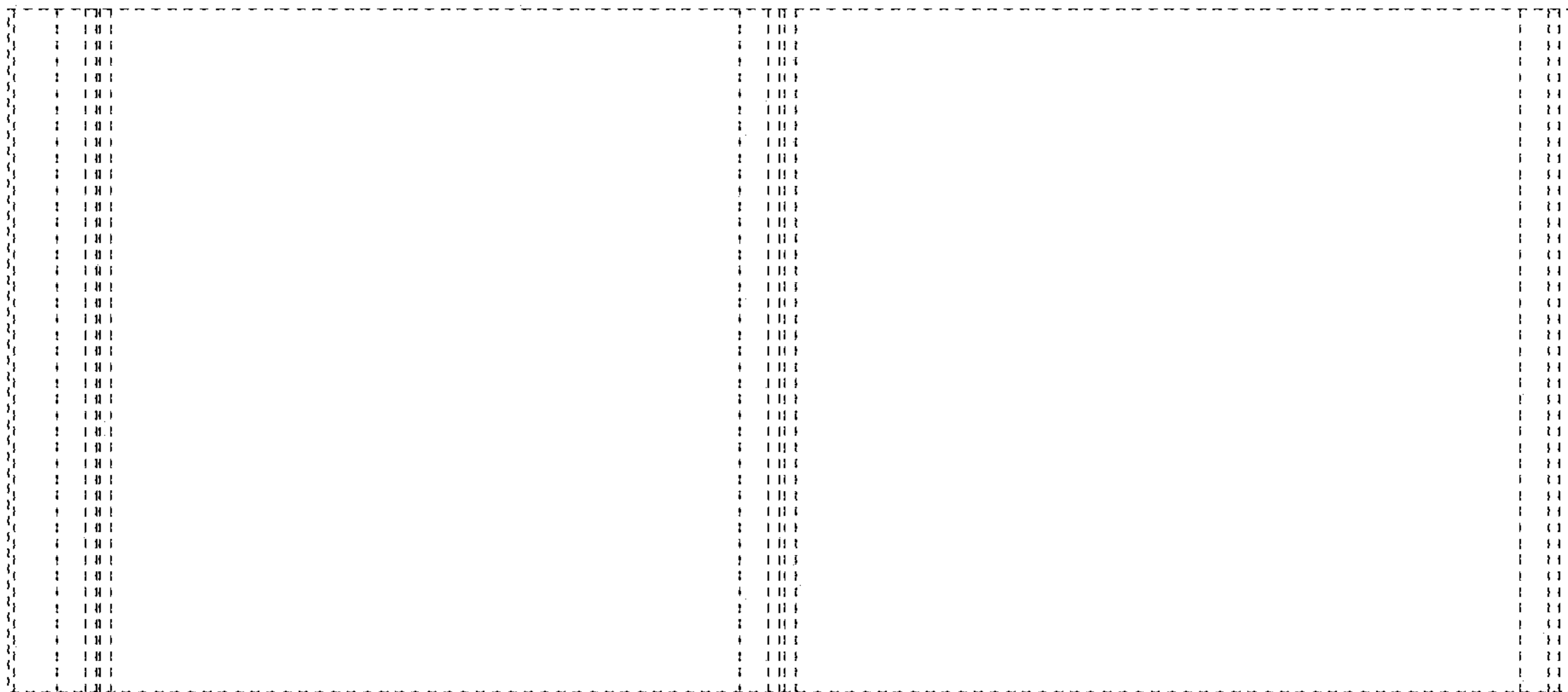


FIG. 7

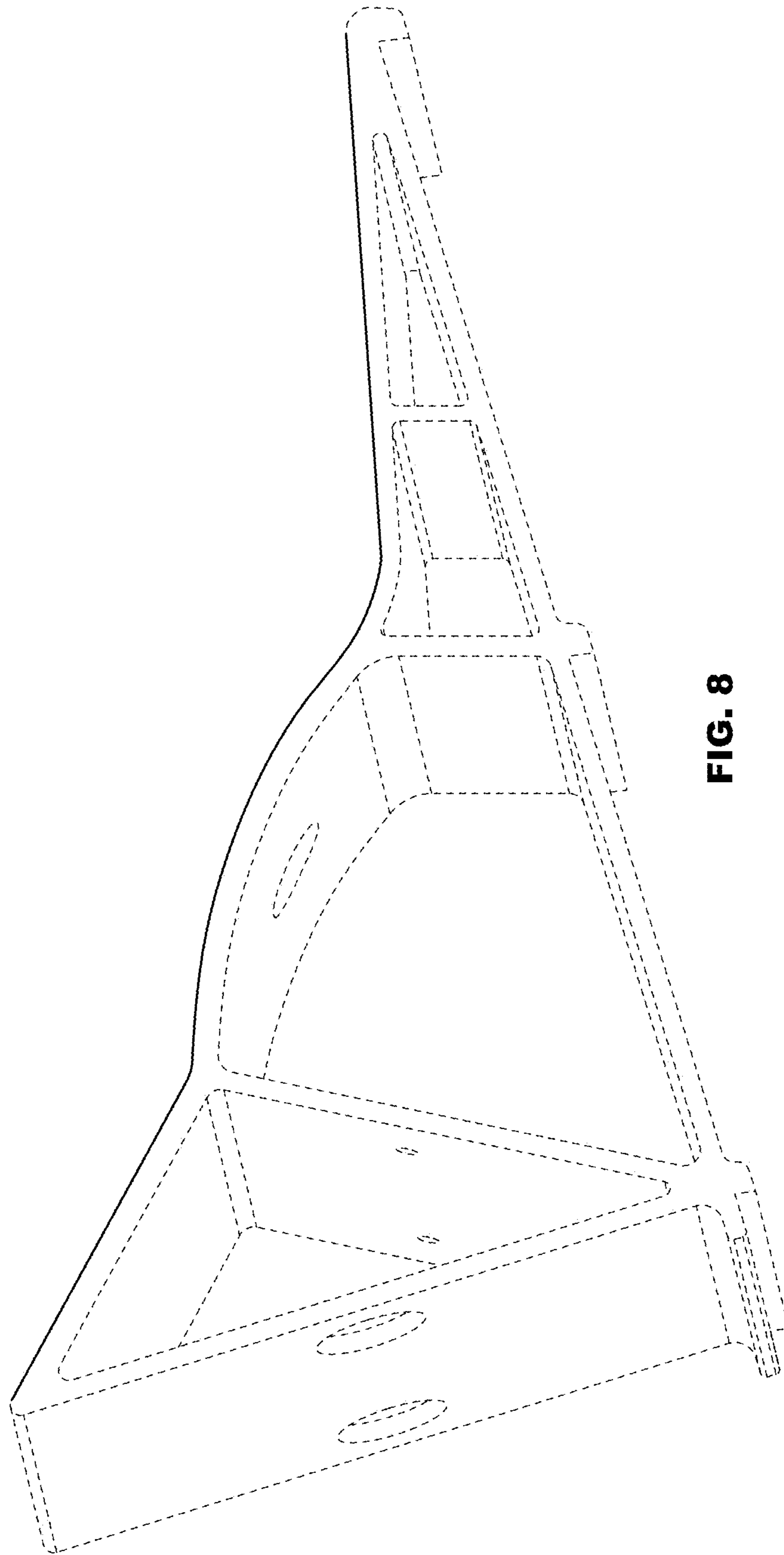


FIG. 8