



US00D875639S

(12) **United States Design Patent**
Chen

(10) **Patent No.:** **US D875,639 S**

(45) **Date of Patent:** **** Feb. 18, 2020**

(54) **VEHICLE WHEEL**

(71) Applicant: **Chin Hung Chen**, New Taipei (TW)

(72) Inventor: **Chin Hung Chen**, New Taipei (TW)

(**) Term: **15 Years**

(21) Appl. No.: **29/660,020**

(22) Filed: **Aug. 14, 2018**

(51) **LOC (12) Cl.** **12-16**

(52) **U.S. Cl.**
USPC **D12/211**

(58) **Field of Classification Search**

USPC D12/204–213

CPC B60B 7/00; B60B 7/02; B60B 7/04; B60B
7/01; B60B 7/06; B60B 3/02; B60B 3/04;
B60B 3/06; B60B 3/10; B60B 1/00;
B60B 1/08; B60B 1/10; B60B 1/12

See application file for complete search history.

(56) **References Cited**

U.S. PATENT DOCUMENTS

D361,976 S * 9/1995 Echazabal D12/211
D484,084 S * 12/2003 Tai D12/211

D551,147 S * 9/2007 Guevara D12/209
D627,701 S * 11/2010 Hilpert D12/211
D631,815 S * 2/2011 Foose D12/211
D730,261 S * 5/2015 Johnson D12/211
D740,735 S * 10/2015 Matsumura D12/211
D753,041 S * 4/2016 Kim D12/209
D758,278 S * 6/2016 Behmer D12/211
D764,366 S * 8/2016 Zhao D12/208
D833,949 S * 11/2018 Sempek D12/211

* cited by examiner

Primary Examiner — Stacia A Cadmus

(74) *Attorney, Agent, or Firm* — Che-Yang Chen; Law
Offices of Scott Warmuth

(57) **CLAIM**

The ornamental design for a vehicle wheel, as shown and
described.

DESCRIPTION

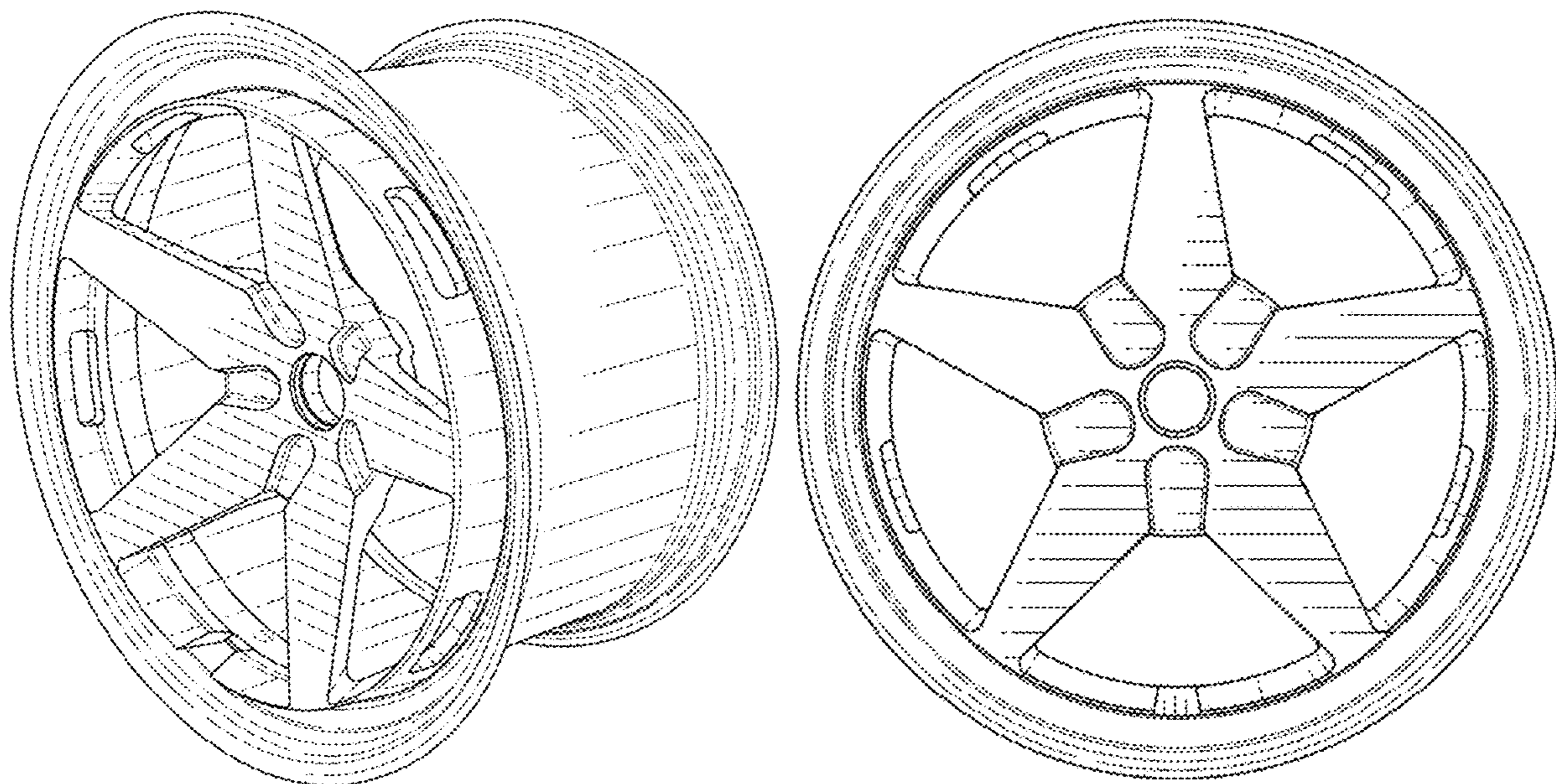
FIG. 1 is a perspective view of the vehicle wheel showing
my new design;

FIG. 2 is a front elevational view thereof;

FIG. 3 is a side view thereof; and,

FIG. 4 is a top plan view thereof.

1 Claim, 4 Drawing Sheets



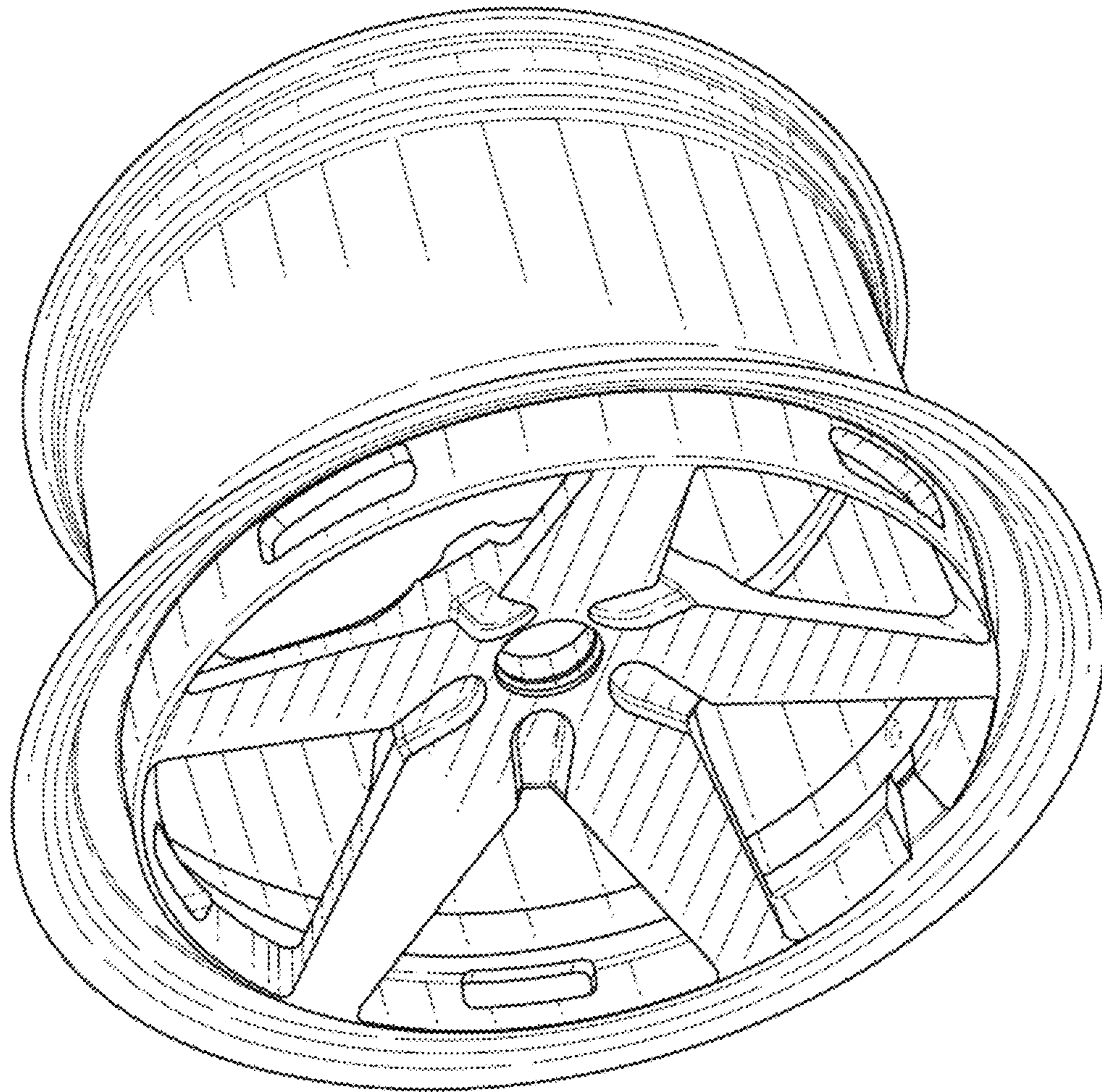


FIG. 1

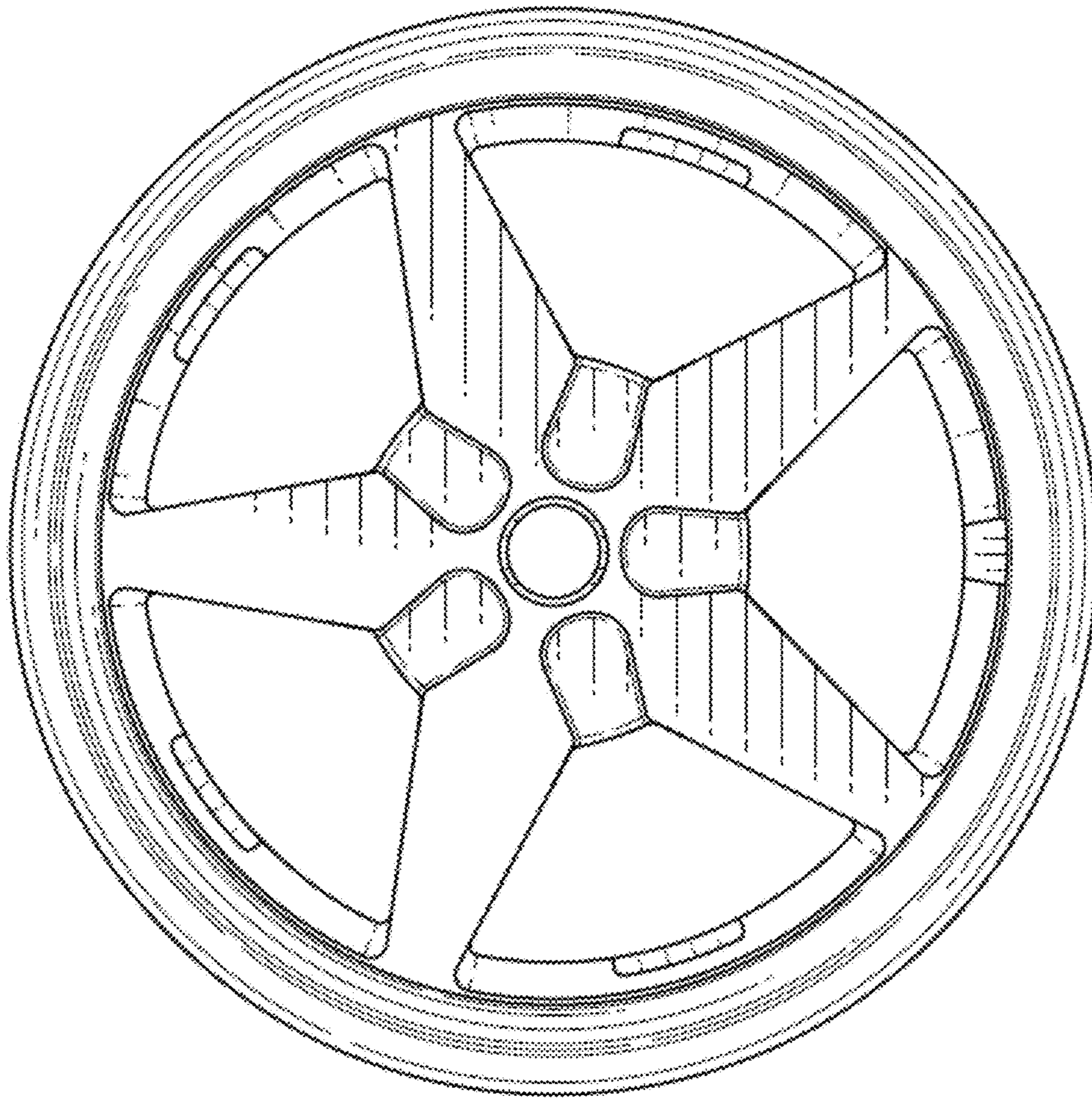


FIG. 2

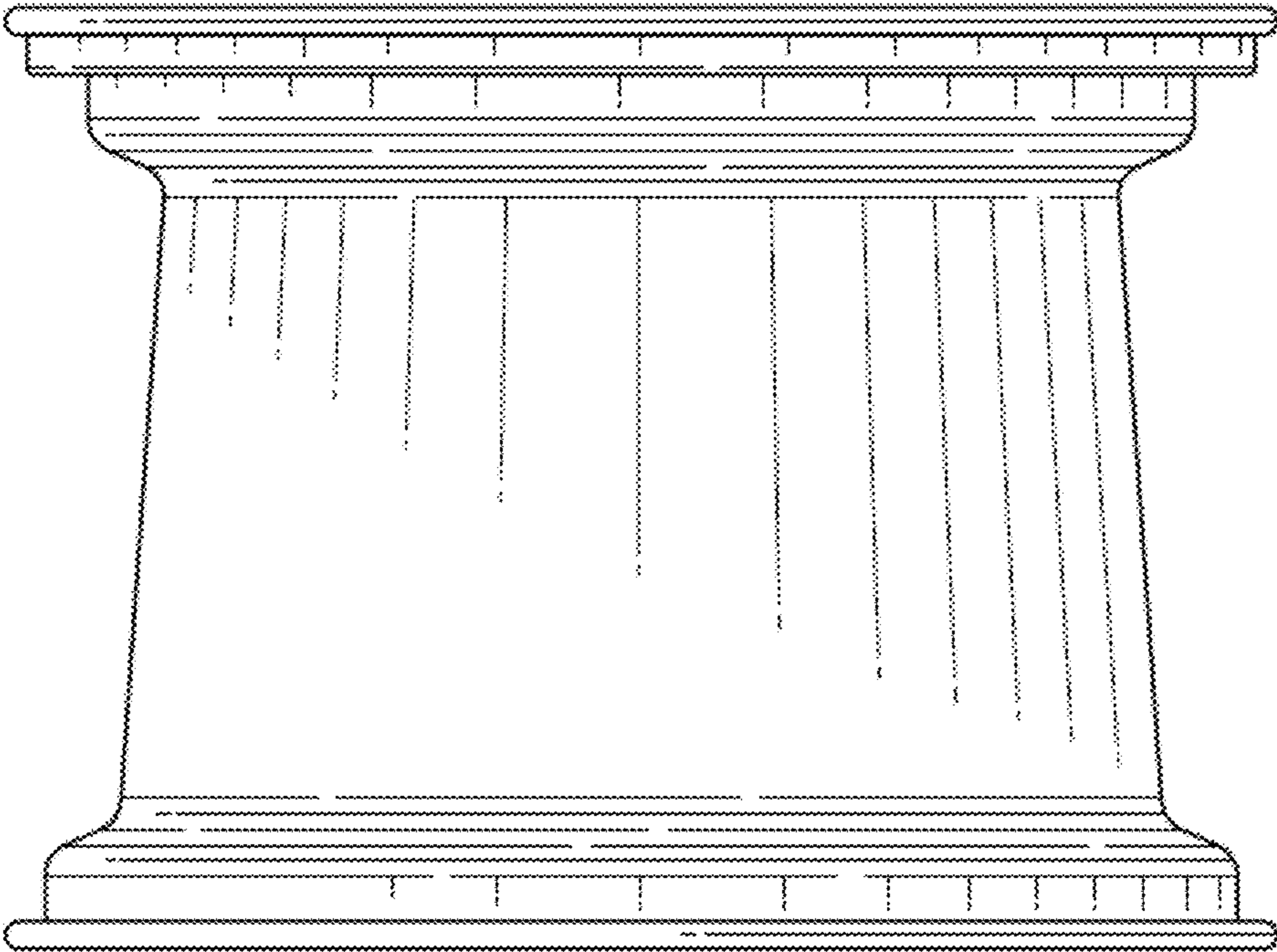


FIG. 3

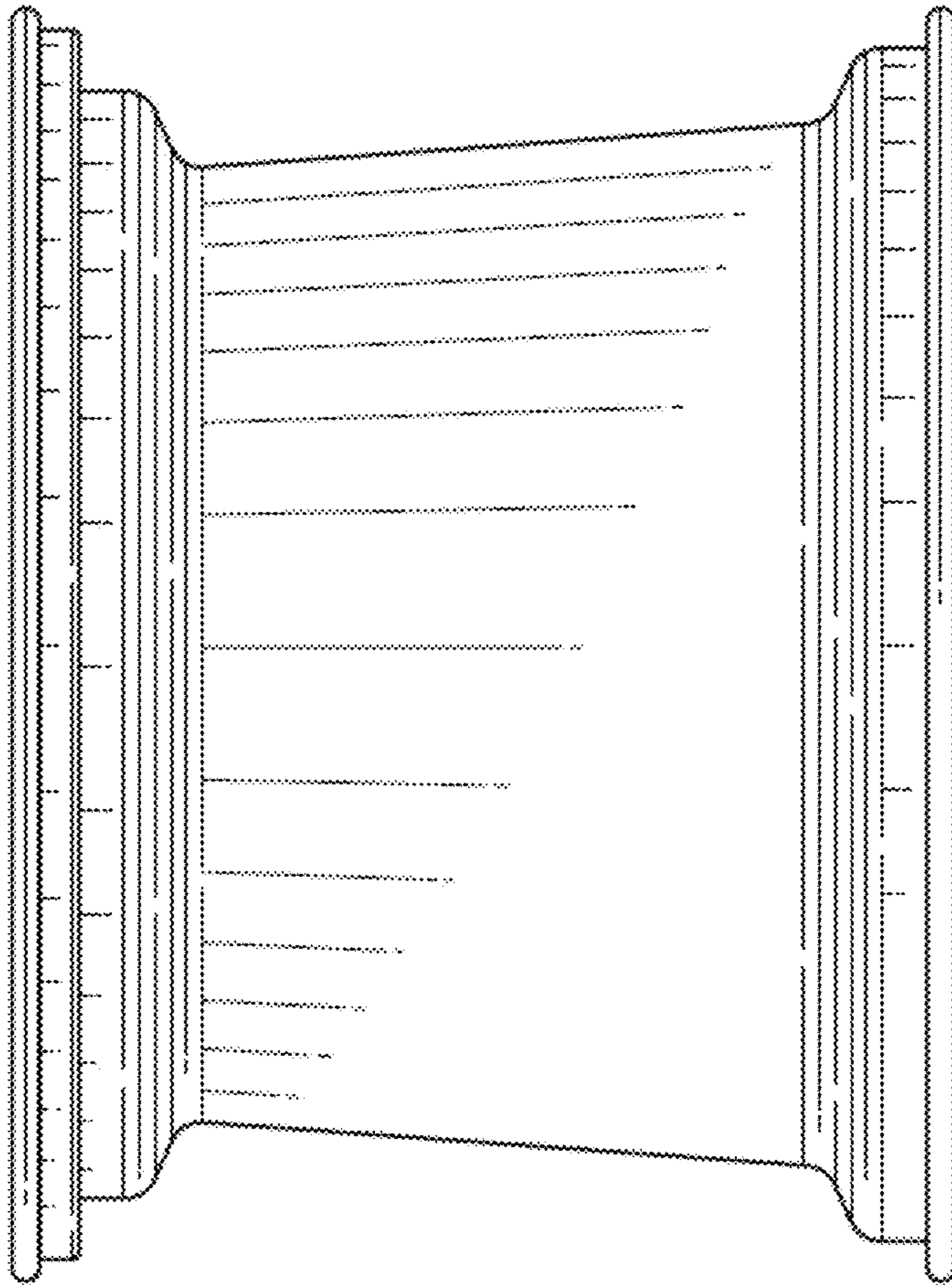


FIG. 4