



US00D875634S

(12) **United States Design Patent** (10) **Patent No.:** **US D875,634 S**
Lim et al. (45) **Date of Patent:** **** Feb. 18, 2020**

(54) **REAR DOOR PANEL FOR VEHICLES**
(71) Applicants: **HYUNDAI MOTOR COMPANY**,
Seoul (KR); **KIA MOTORS**
CORPORATION, Seoul (KR)
(72) Inventors: **Hwasu Lim**, Hwaseong-si (KR);
Wonsik Ham, Seoul (KR)
(73) Assignees: **Hyundai Motor Company**, Seoul
(KR); **Kia Motors Corporation**, Seoul
(KR)
(**) Term: **15 Years**
(21) Appl. No.: **35/506,309**
(22) Filed: **Jul. 13, 2018**
(80) **Hague Agreement Data**
Int. Filing Date: **Jul. 13, 2018**
Int. Reg. No.: **DM/102116**
Int. Reg. Date: **Jul. 13, 2018**
Int. Reg. Pub. Date: **Jan. 18, 2019**

(30) **Foreign Application Priority Data**
Feb. 27, 2018 (KR) 30-2018-0009783
(51) **LOC (12) Cl.** **12-16**
(52) **U.S. Cl.**
USPC **D12/196**
(58) **Field of Classification Search**
USPC D12/196
See application file for complete search history.

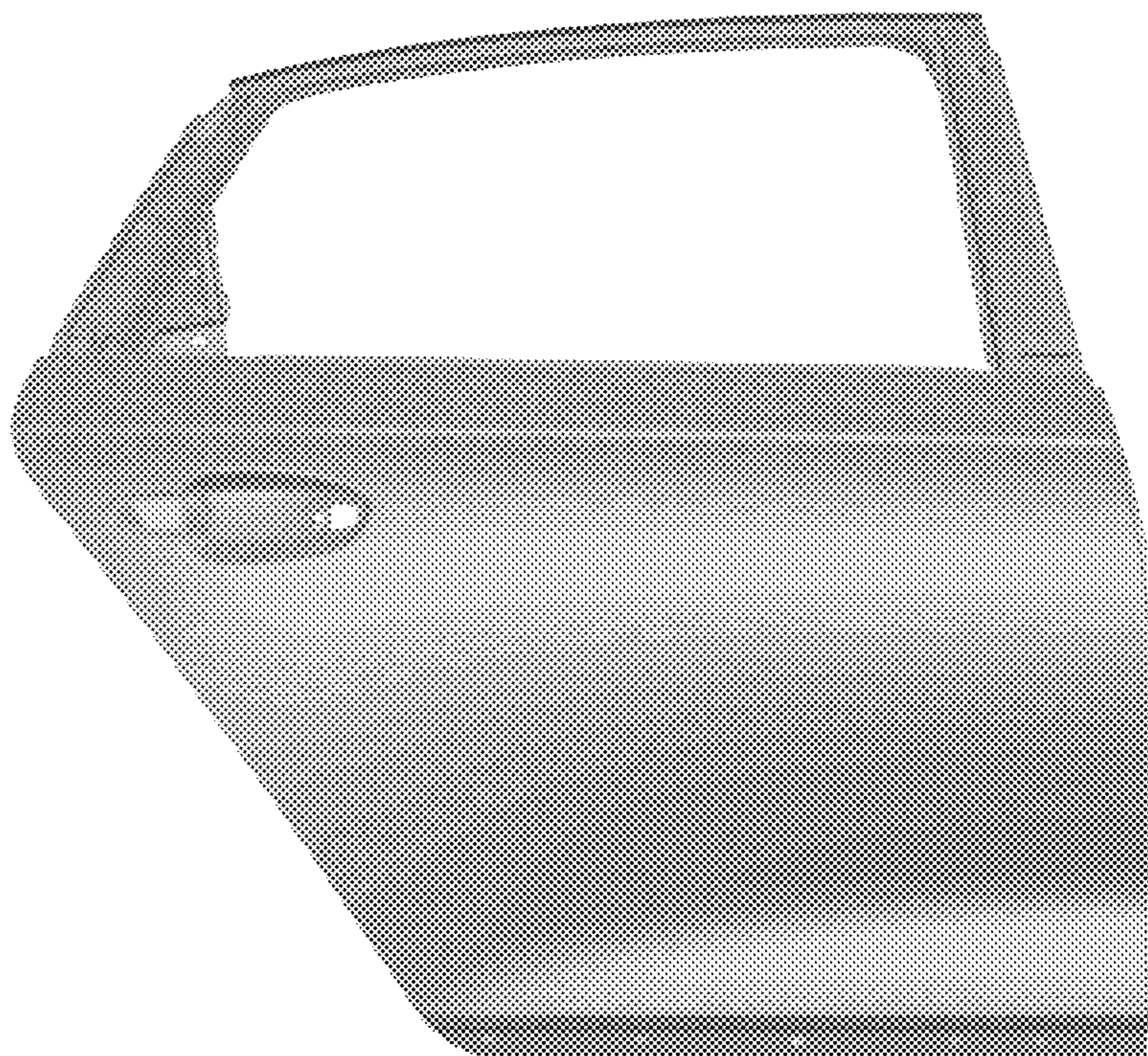
(56) **References Cited**
U.S. PATENT DOCUMENTS
D573,522 S * 7/2008 Sato D12/196
D832,170 S * 10/2018 Park D12/196
D833,356 S * 11/2018 Lim D12/196
D839,169 S * 1/2019 Seo D12/196

* cited by examiner
Primary Examiner — George D. Kirschbaum
(74) *Attorney, Agent, or Firm* — Mintz Levin Cohn Ferris
Glovsky and Popeo, P.C.; Peter F. Corless; Carolina E.
Säve

(57) **CLAIM**
The ornamental design for a rear door panel for vehicles, as
shown and described.

DESCRIPTION
1. Rear door panel for vehicles
1.1 : Perspective
1.2 : Front
1.3 : Back
1.4 : Left
1.5 : Right
1.6 : Top
1.7 : Bottom
1.1 is a perspective view of a rear door panel for vehicles
showing our new design; 1.2 is a front elevation view
thereof; 1.3 is a rear elevation view thereof; 1.4 is a left side
elevation view thereof; 1.5 is a right side elevation view
thereof; 1.6 is a top plan view thereof; and 1.7 is a bottom
plan view thereof.

1 Claim, 7 Drawing Sheets



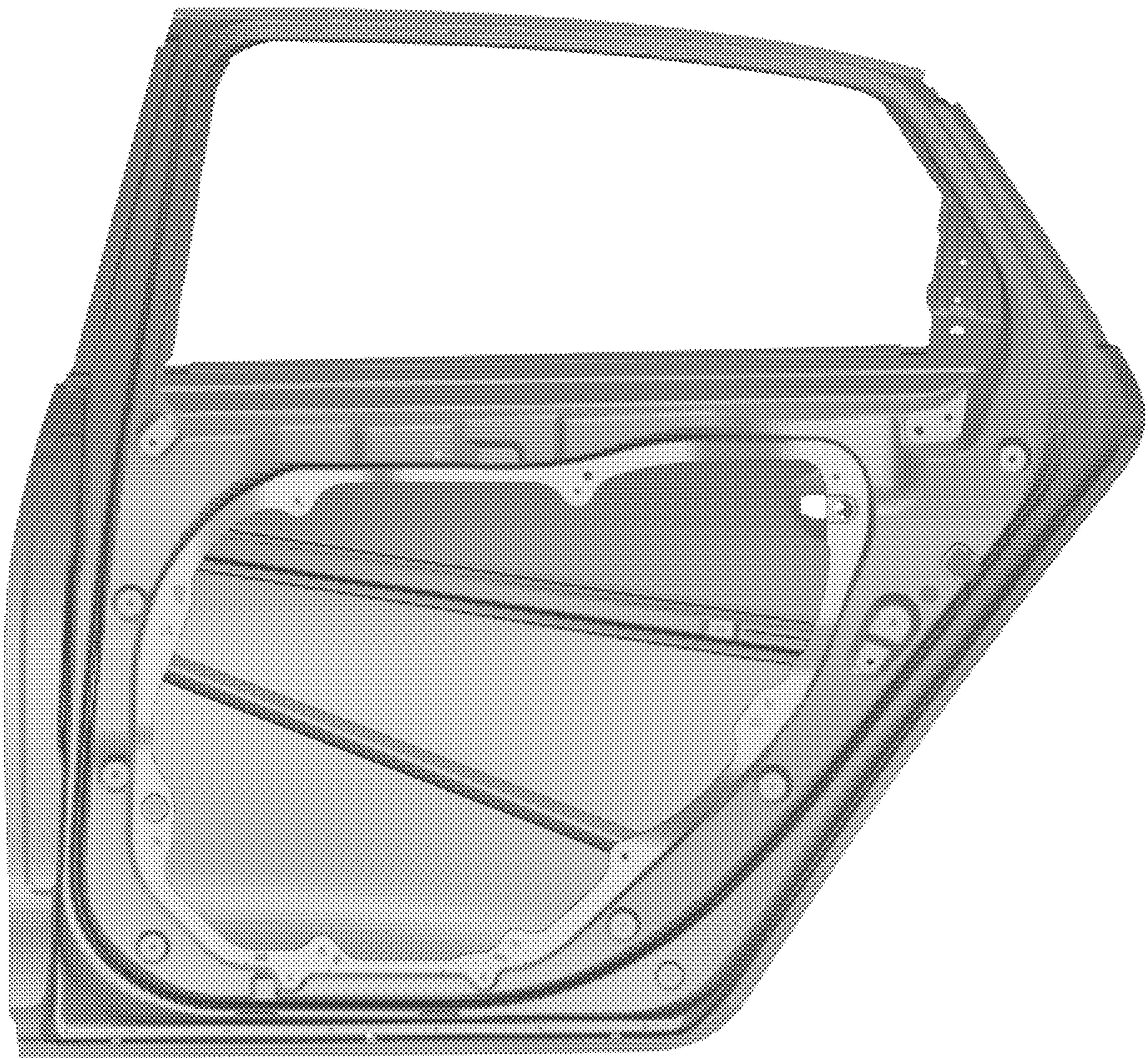
1.1



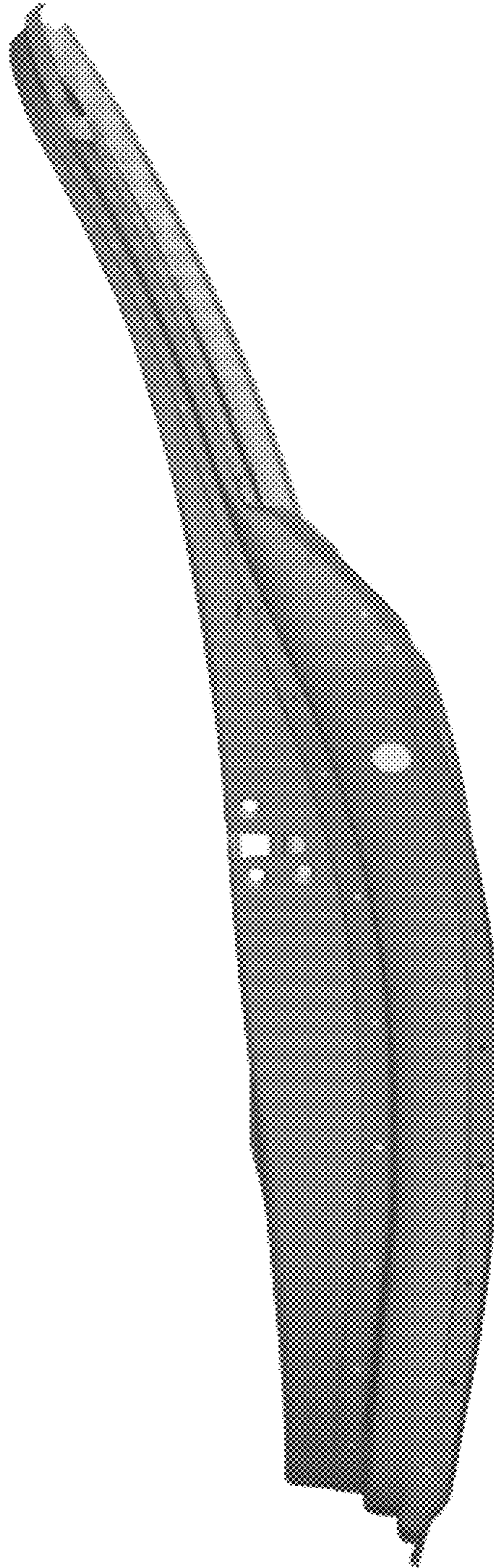
1.2



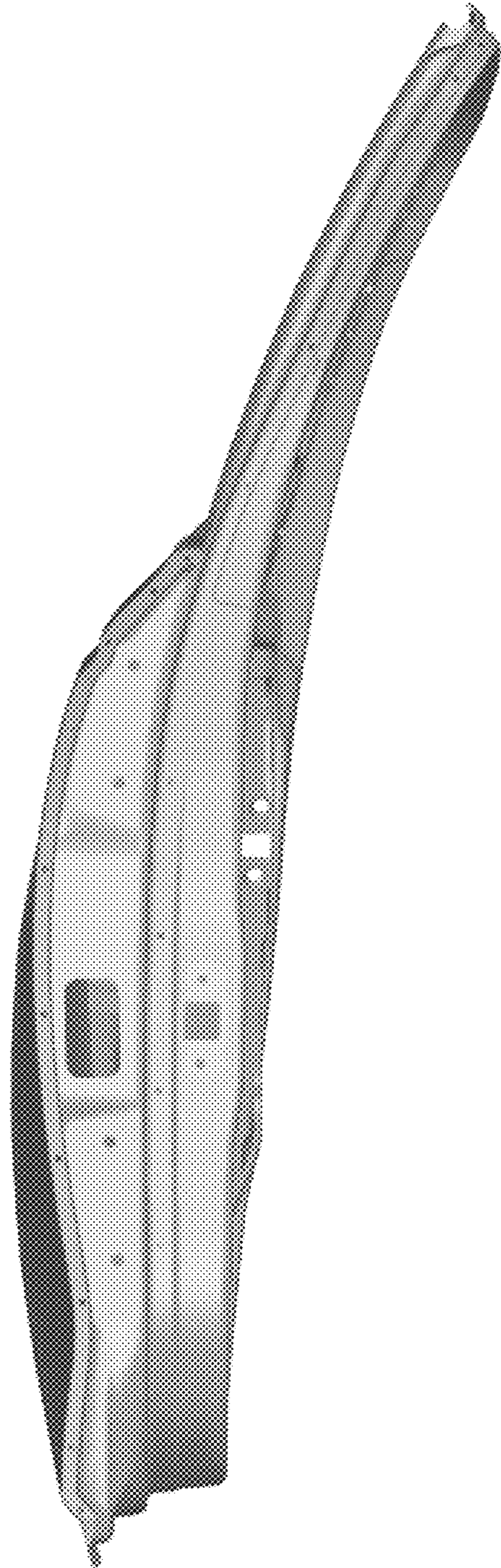
1.3



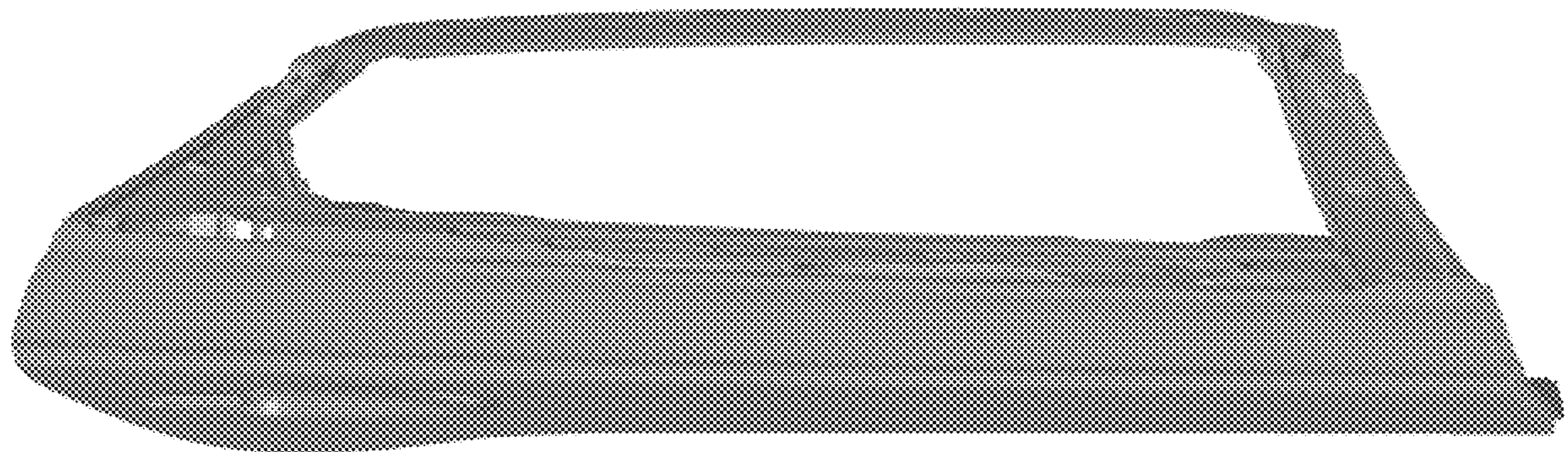
1.4



1.5



1.6



1.7

