



US00D875633S

(12) **United States Design Patent**
Anderson

(10) **Patent No.:** **US D875,633 S**

(45) **Date of Patent:** **** Feb. 18, 2020**

(54) **BELLOWS FOR MARINE EXHAUST SYSTEM**

(71) Applicant: **Indmar Products Company Inc.**,
Millington, TN (US)

(72) Inventor: **Timothy G. Anderson**, Brighton, MI
(US)

(73) Assignee: **Indmar Products Company Inc.**,
Millington, TN (US)

(**) Term: **15 Years**

(21) Appl. No.: **29/661,356**

(22) Filed: **Aug. 27, 2018**

Related U.S. Application Data

(62) Division of application No. 29/581,343, filed on Oct. 18, 2016, now Pat. No. Des. 829,623.

(51) **LOC (12) Cl.** **12-16**

(52) **U.S. Cl.**
USPC **D12/194**

(58) **Field of Classification Search**
USPC D12/194; D15/5
CPC F01N 13/082; F01N 13/1805; F01N 13/20;
B63H 20/245; B63H 21/34
See application file for complete search history.

(56) **References Cited**

U.S. PATENT DOCUMENTS

- D475,720 S * 6/2003 Lundgreen F02B 61/02
D15/5
- D484,513 S * 12/2003 Grudynski, III D15/5

- D613,655 S * 4/2010 Burkhart D12/194
- D647,022 S * 10/2011 Hsu D12/194
- D704,115 S * 5/2014 Hsu D12/194
- D718,692 S * 12/2014 Hsu D12/194
- D725,564 S * 3/2015 Covington D12/194
- D765,142 S * 8/2016 Hunter D15/5
- D799,553 S * 10/2017 Bink D15/5
- D808,875 S * 1/2018 Hasegawa D12/194
- D810,644 S * 2/2018 Welter D12/194
- D829,623 S 10/2018 Anderson

OTHER PUBLICATIONS

Mercury Marine, Quicksilver Marine Parts & Accessories, Jul. 2011, 90-8M0060070, Disk Two, 11 pages.

* cited by examiner

Primary Examiner — Michael A. Pratt

(74) *Attorney, Agent, or Firm* — Wood, Herron & Evans, LLP

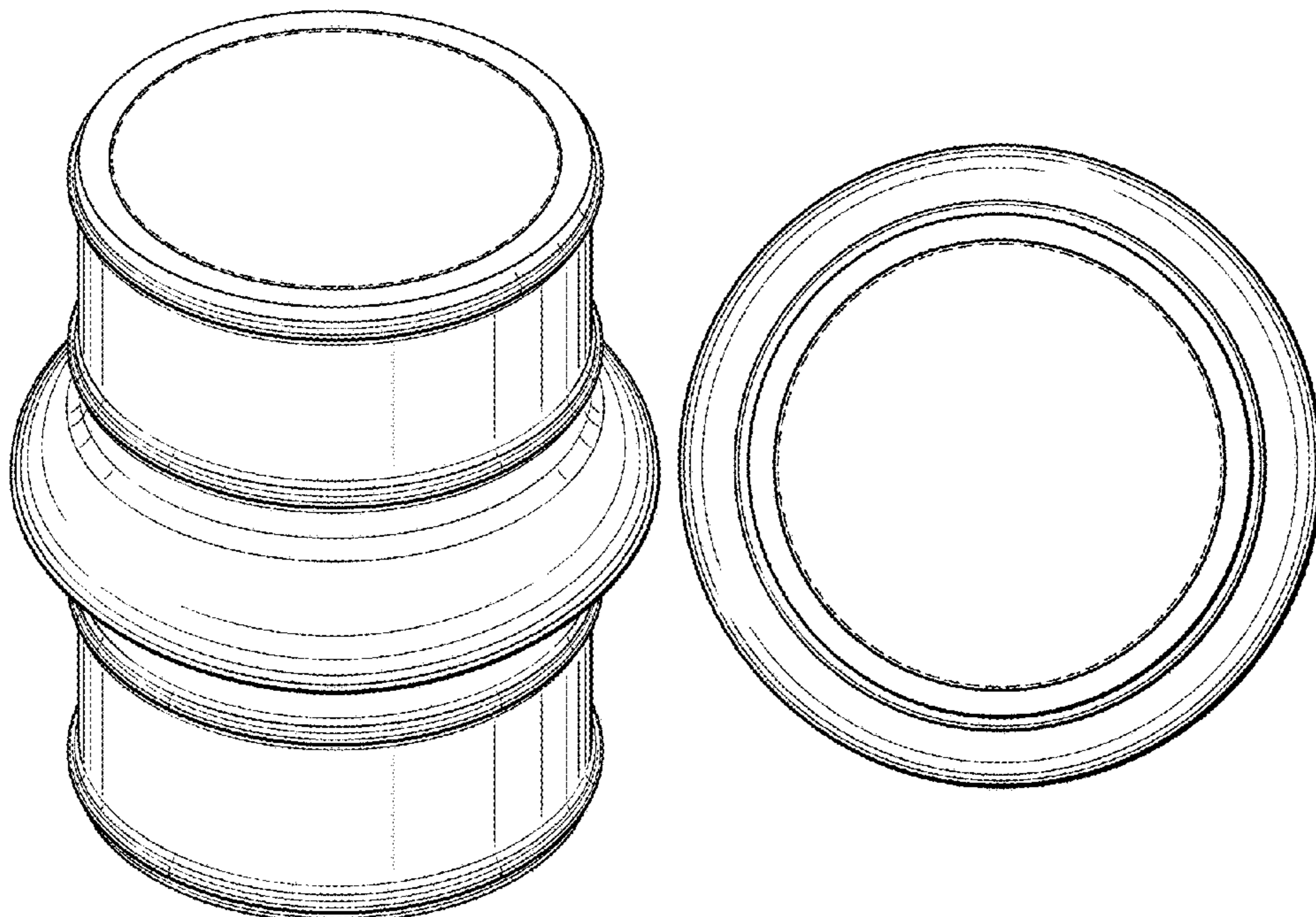
(57) **CLAIM**

The ornamental design for a bellows for marine exhaust system, as shown and described.

DESCRIPTION

FIG. 1 is a perspective view of one of the bellows of a marine exhaust system illustrating my design; FIG. 2 is a front view thereof; all other side views being identical; and, FIG. 3 is a top view thereof; the bottom view being identical. Any elements shown in dash-dot lines form no part of the claimed invention, and are instead included to show environmental aspects of the claimed invention. The dashed lines form an unclaimed boundary of the design.

1 Claim, 2 Drawing Sheets



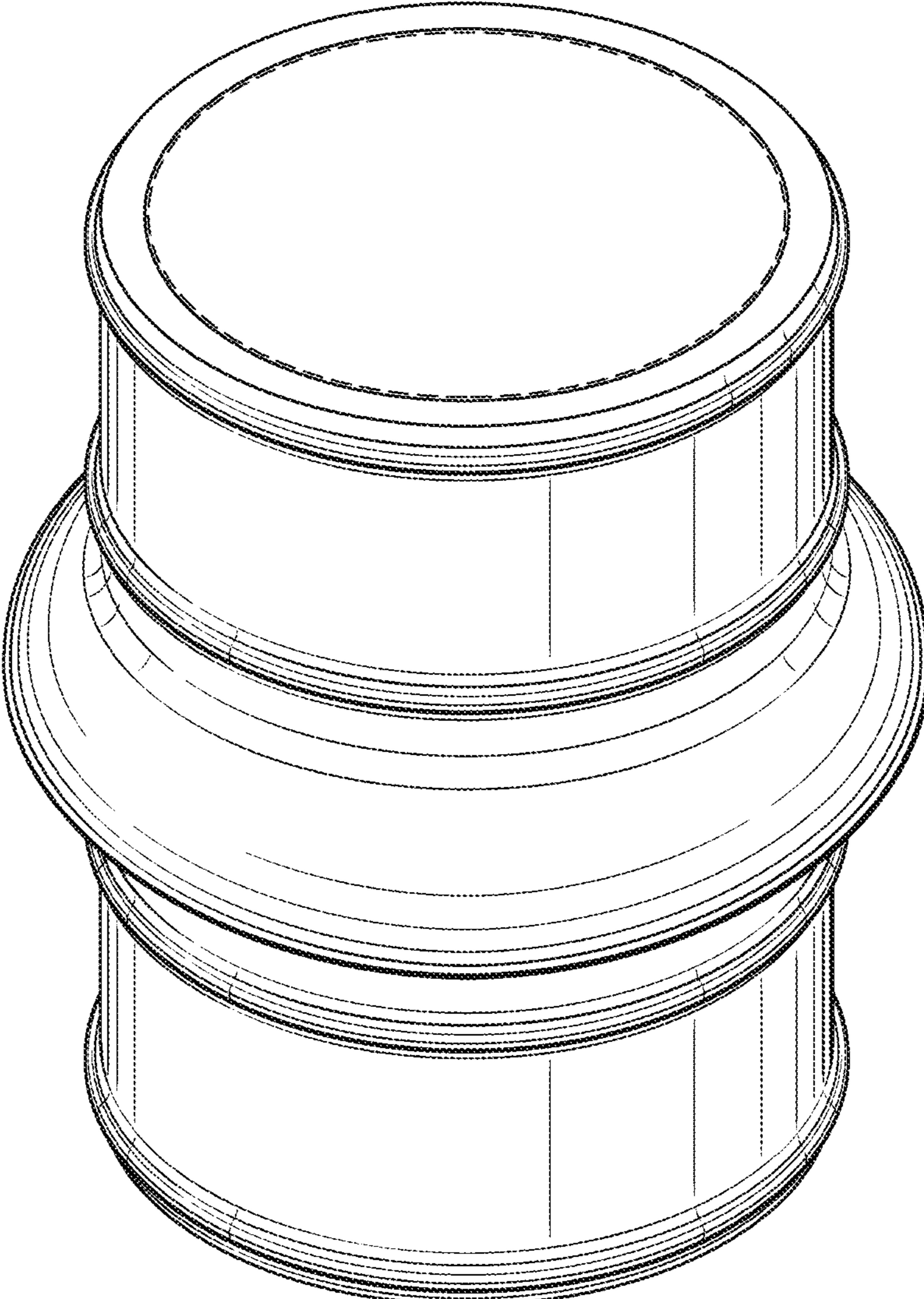


FIG. 1

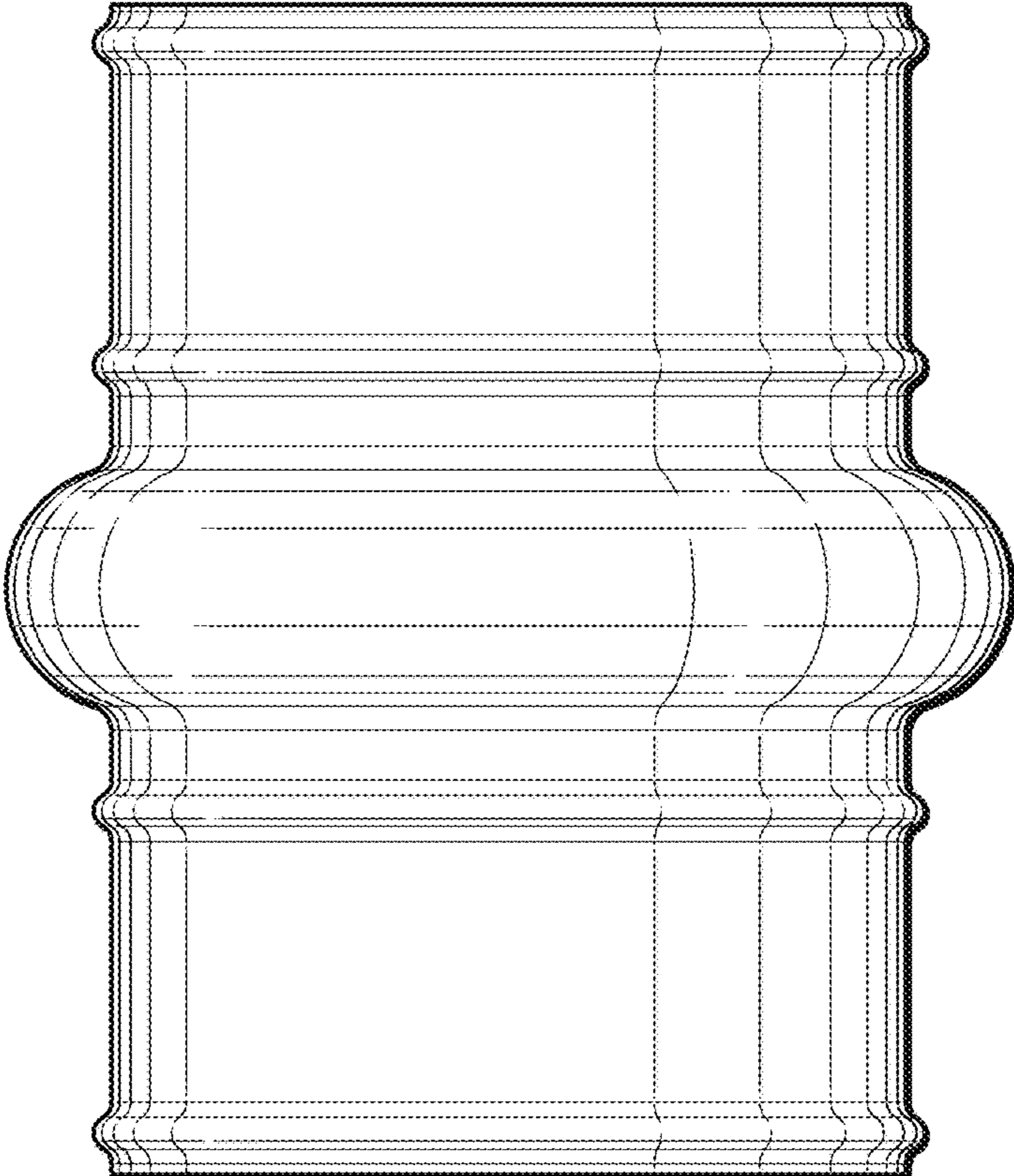


FIG. 2

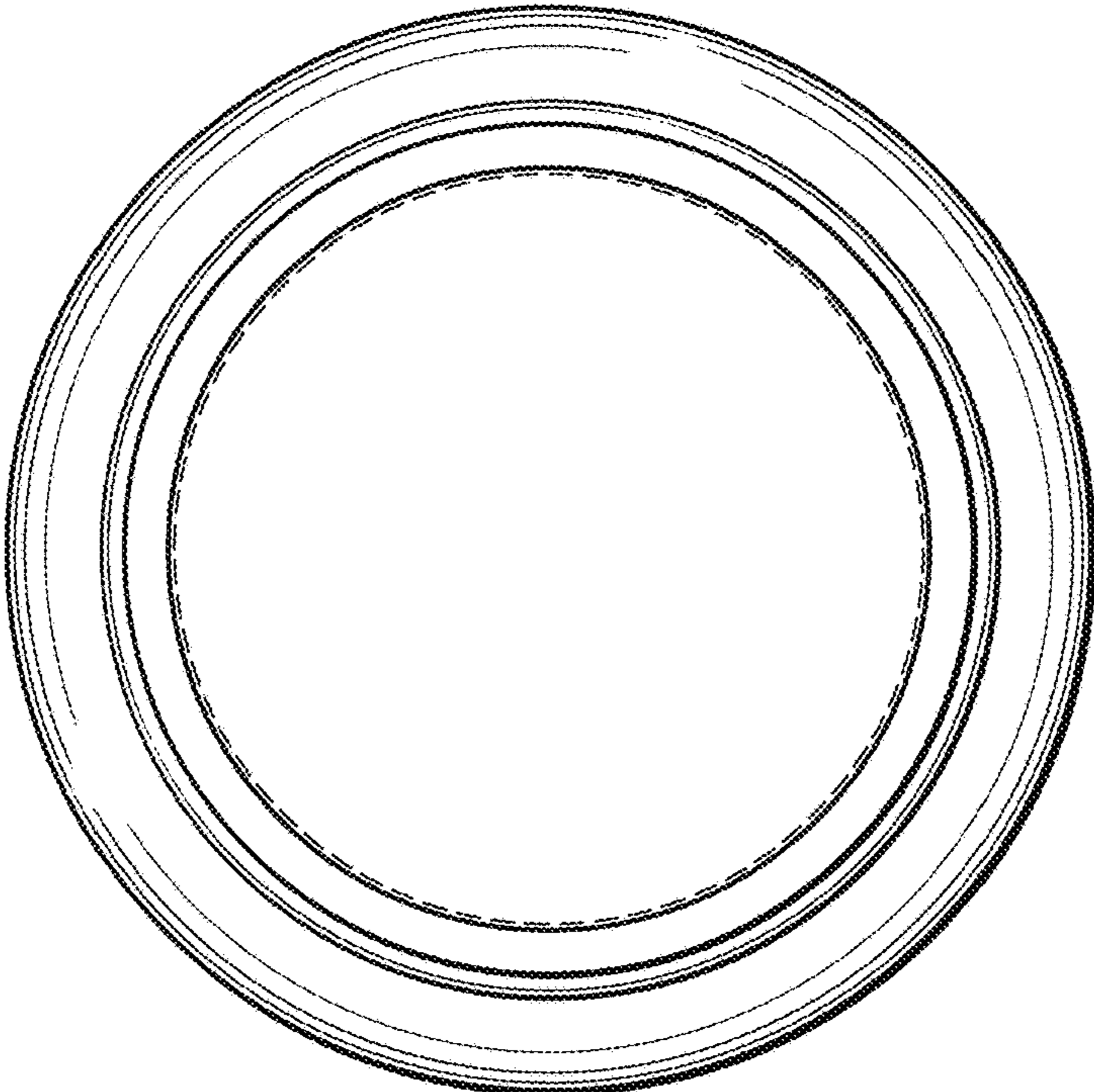


FIG. 3