



US00D875632S

(12) **United States Design Patent**  
**Anderson**

(10) **Patent No.:** **US D875,632 S**

(45) **Date of Patent:** **\*\* Feb. 18, 2020**

(54) **MARINE EXHAUST SYSTEM**

(71) Applicant: **Indmar Products Company Inc.**,  
Millington, TN (US)

(72) Inventor: **Timothy G. Anderson**, Brighton, MI  
(US)

(73) Assignee: **Indmar Products Company Inc.**,  
Millington, TN (US)

(\*\*) Term: **15 Years**

(21) Appl. No.: **29/661,348**

(22) Filed: **Aug. 27, 2018**

**Related U.S. Application Data**

(62) Division of application No. 29/581,343, filed on Oct.  
18, 2016, now Pat. No. Des. 829,623.

(51) **LOC (12) Cl.** ..... **12-16**

(52) **U.S. Cl.**  
USPC ..... **D12/194**

(58) **Field of Classification Search**  
USPC ..... D12/194; D15/5  
CPC .... F01N 13/082; F01N 13/1805; F01N 13/20;  
B63H 20/245; B63H 21/34  
See application file for complete search history.

(56) **References Cited**

**U.S. PATENT DOCUMENTS**

- D475,720 S \* 6/2003 Lundgreen ..... F02B 61/02  
D15/5
- D484,513 S \* 12/2003 Grudynski, III ..... D15/5
- D613,655 S \* 4/2010 Burkhart ..... D12/194
- D647,022 S \* 10/2011 Hsu ..... D12/194

- D704,115 S \* 5/2014 Hsu ..... D12/194
- D718,692 S \* 12/2014 Hsu ..... D12/194
- D725,564 S \* 3/2015 Covington ..... D12/194
- D765,142 S \* 8/2016 Hunter ..... D15/5
- D799,553 S \* 10/2017 Bink ..... D15/5
- D808,875 S \* 1/2018 Hasegawa ..... D12/194
- D810,644 S \* 2/2018 Welter ..... D12/194
- D829,623 S 10/2018 Anderson

**OTHER PUBLICATIONS**

Mercury Marine, Quicksilver Marine Parts & Accessories, Jul.  
2011, 90-8M0060070, Disk Two, 11 pages.

\* cited by examiner

*Primary Examiner* — Michael A. Pratt  
(74) *Attorney, Agent, or Firm* — Wood, Herron & Evans,  
LLP

(57) **CLAIM**

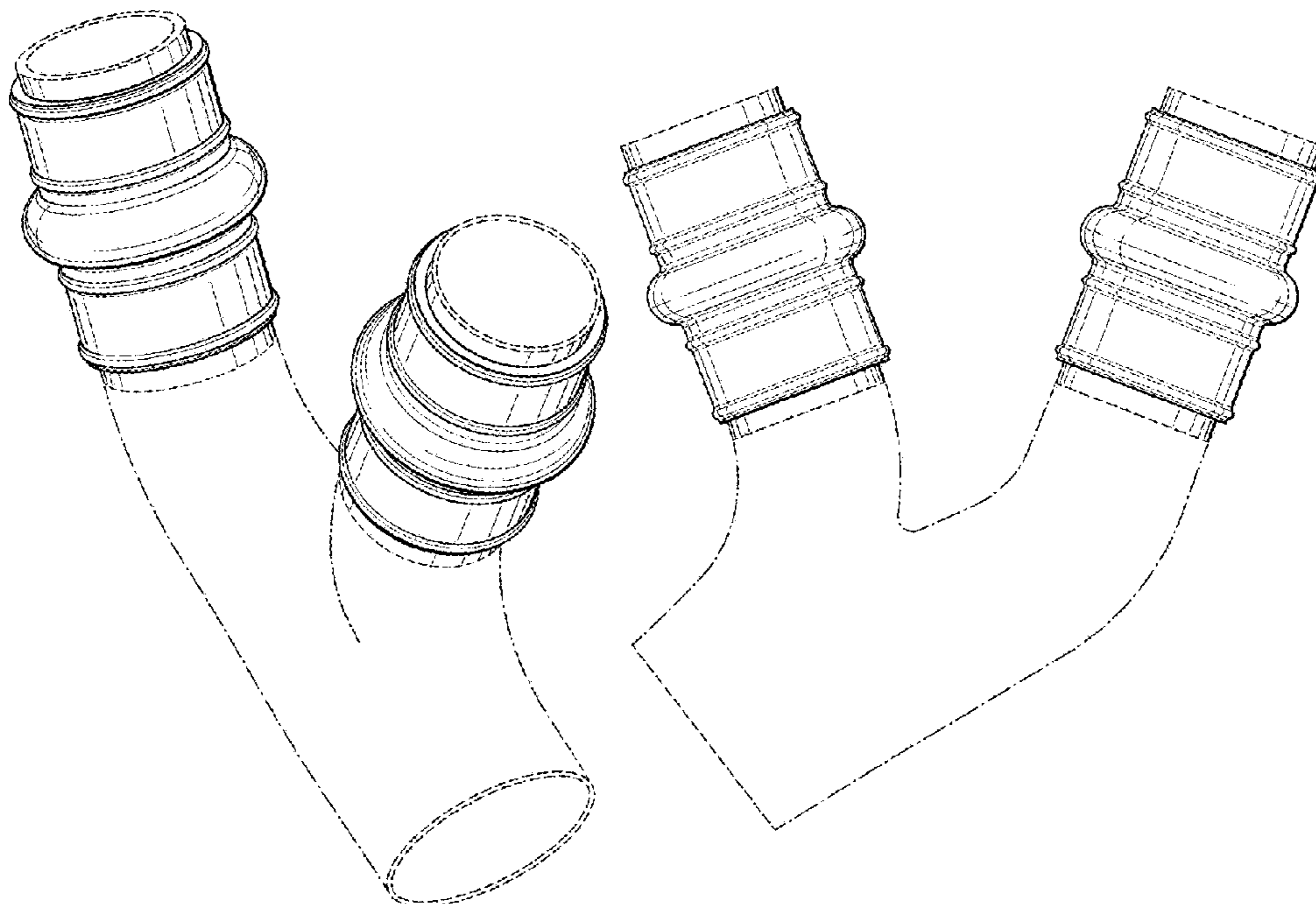
The ornamental design for a marine exhaust system, as  
shown and described.

**DESCRIPTION**

FIG. 1 is a perspective view of one embodiment of a marine  
exhaust system illustrating my new design;  
FIG. 2 is a front view thereof;  
FIG. 3 is a rear view thereof;  
FIG. 4 is a left side view thereof;  
FIG. 5 is a right side view thereof;  
FIG. 6 is a top view thereof; and,  
FIG. 7 is a bottom view thereof.

Any elements shown in dash-dot lines form no part of the  
claimed invention, and are instead included to show envi-  
ronmental aspects of the claimed invention. The dashed lines  
form an unclaimed boundary of the design.

**1 Claim, 5 Drawing Sheets**



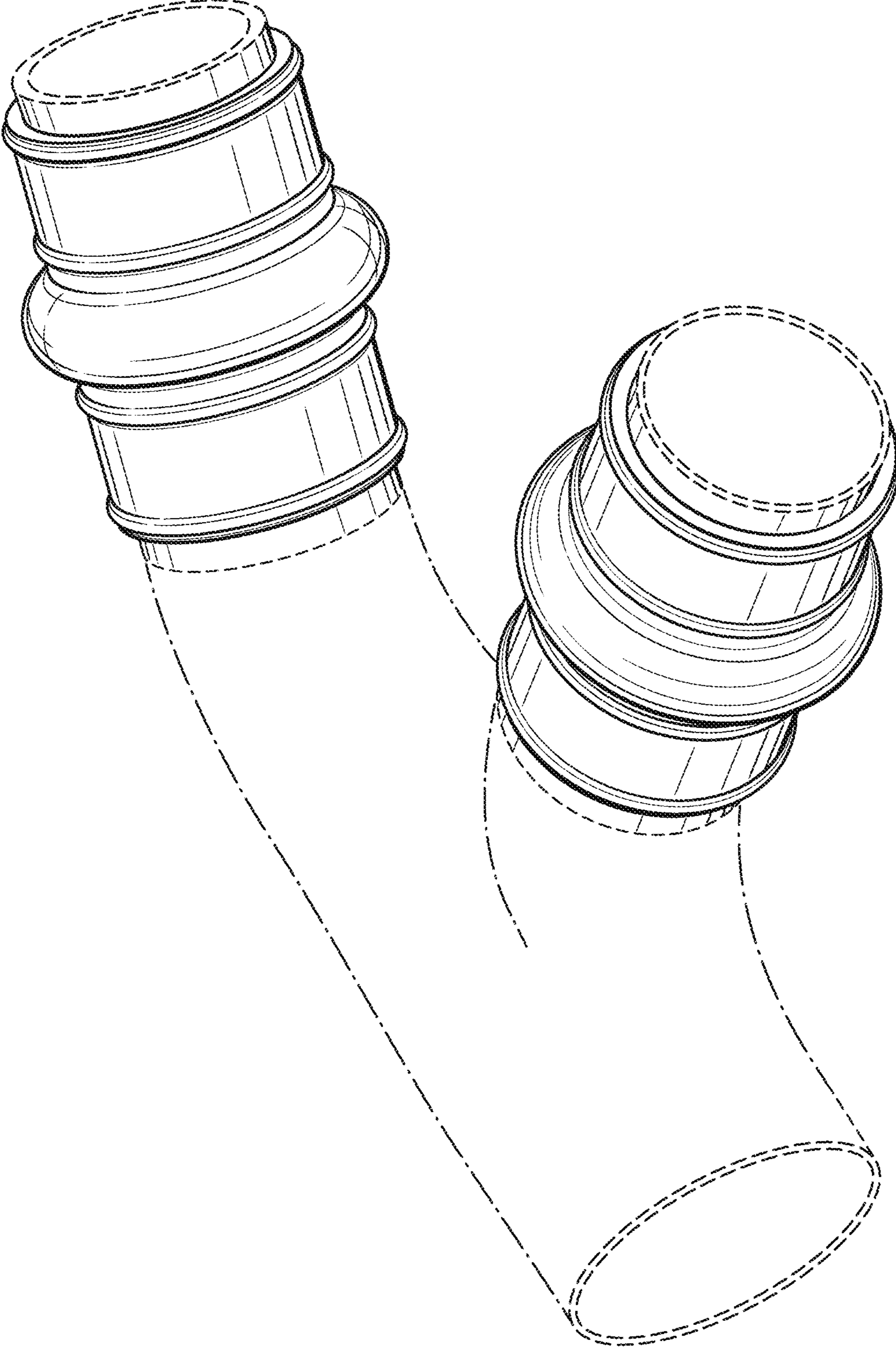


FIG. 1

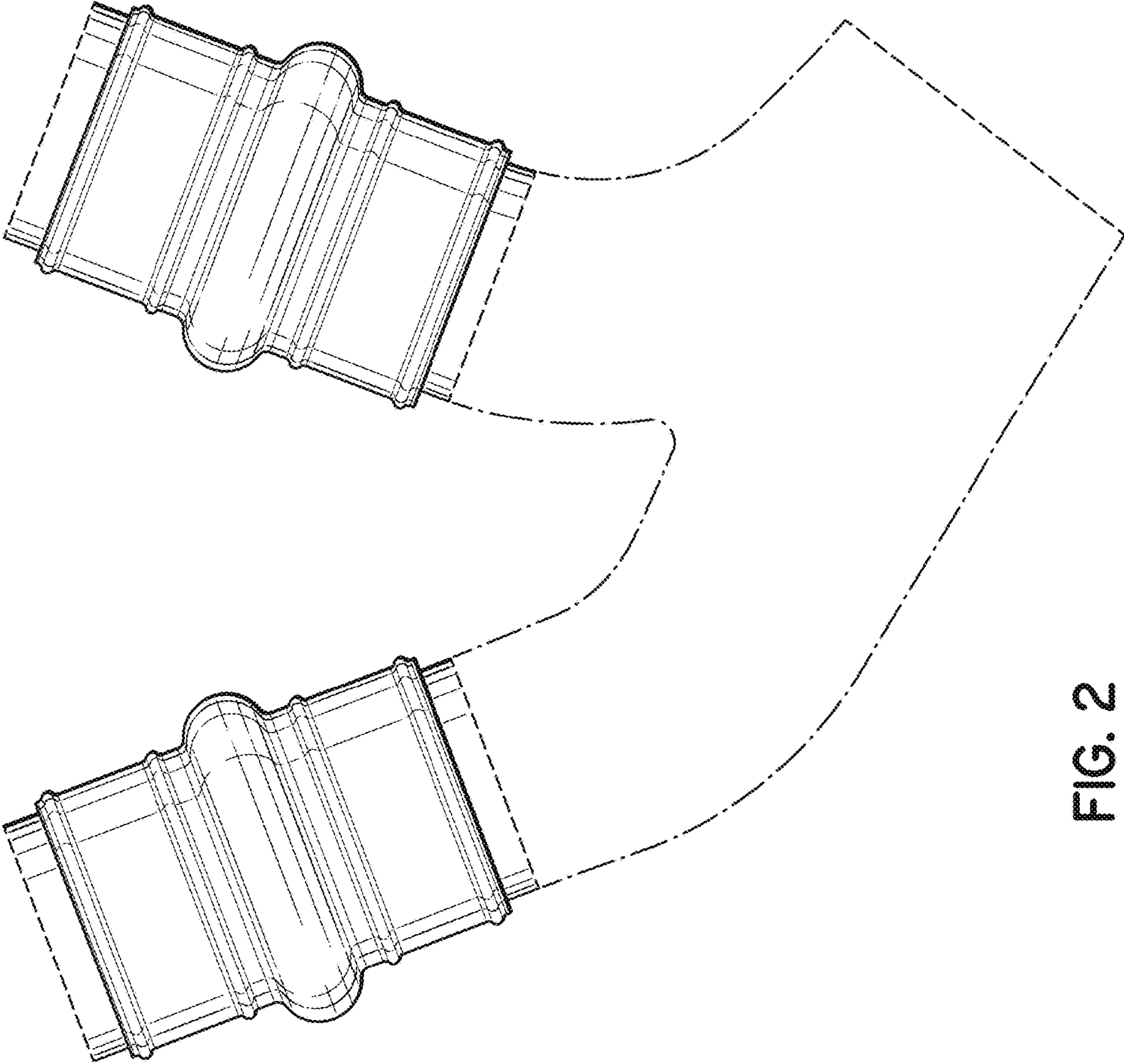


FIG. 2

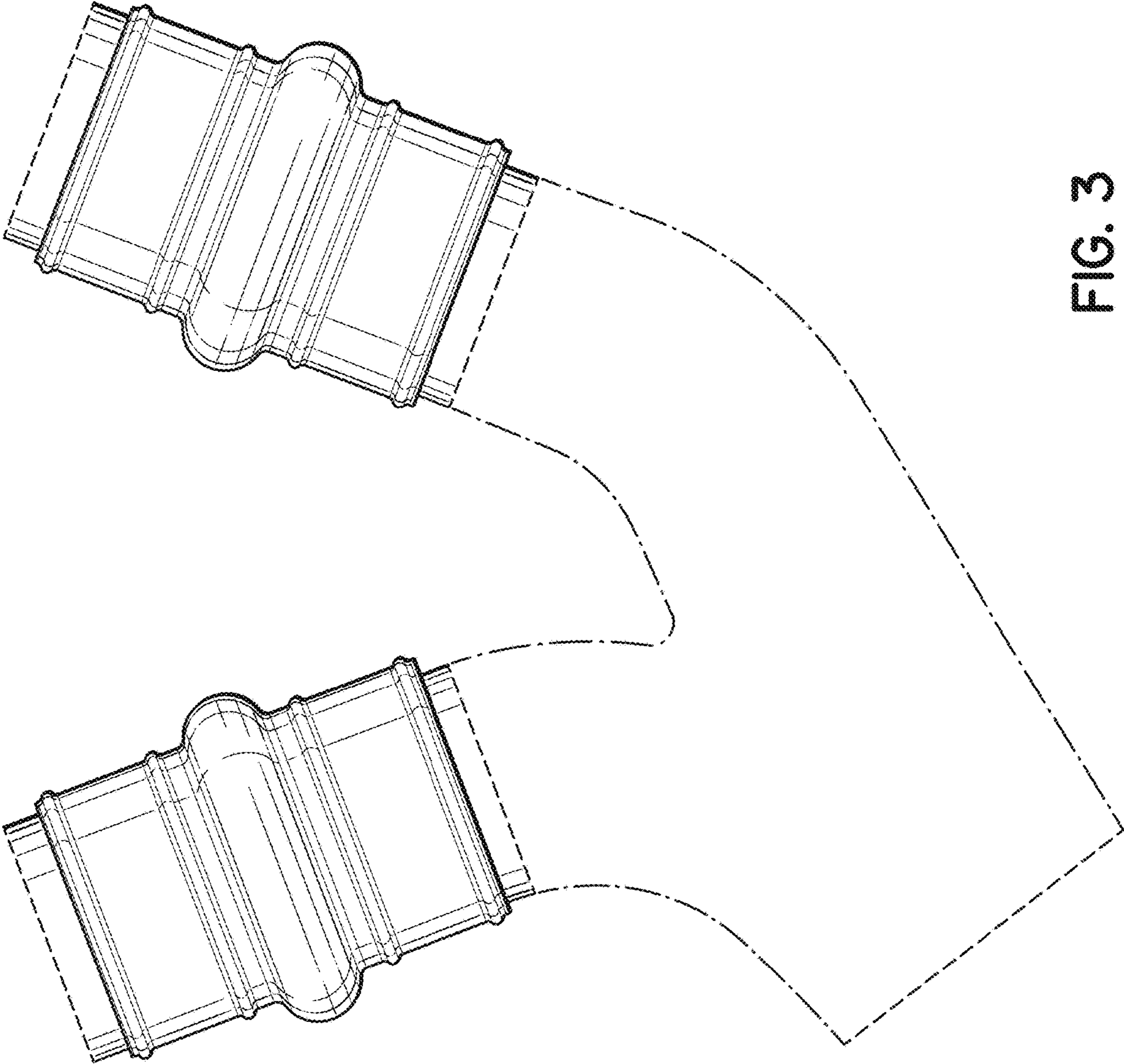


FIG. 3

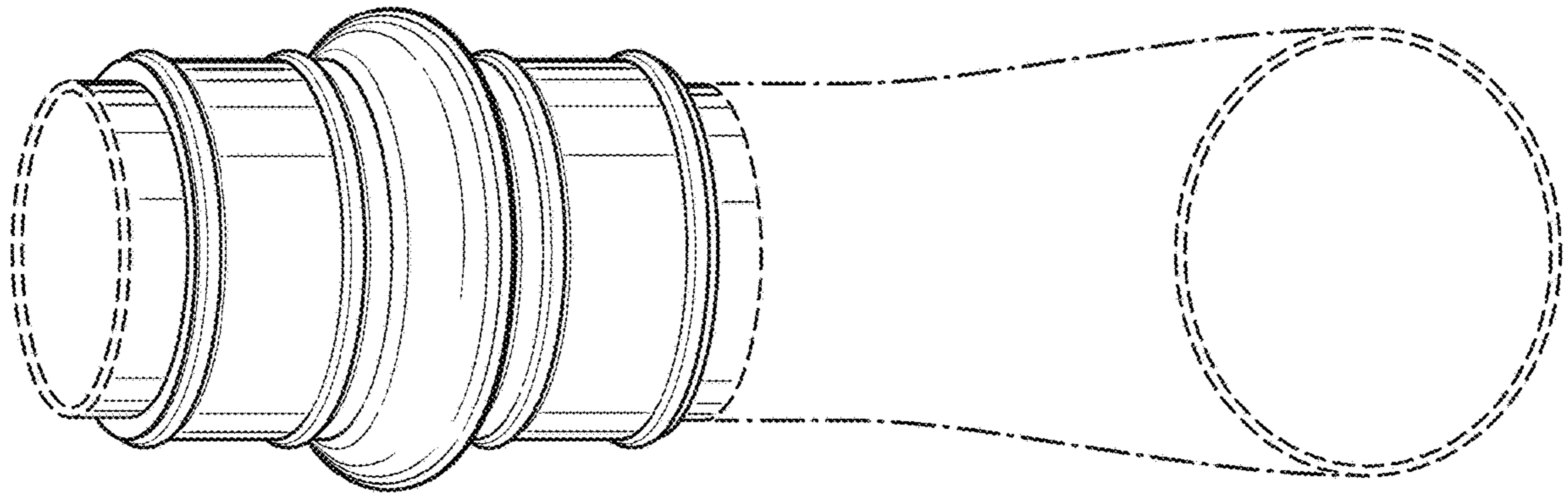


FIG. 4

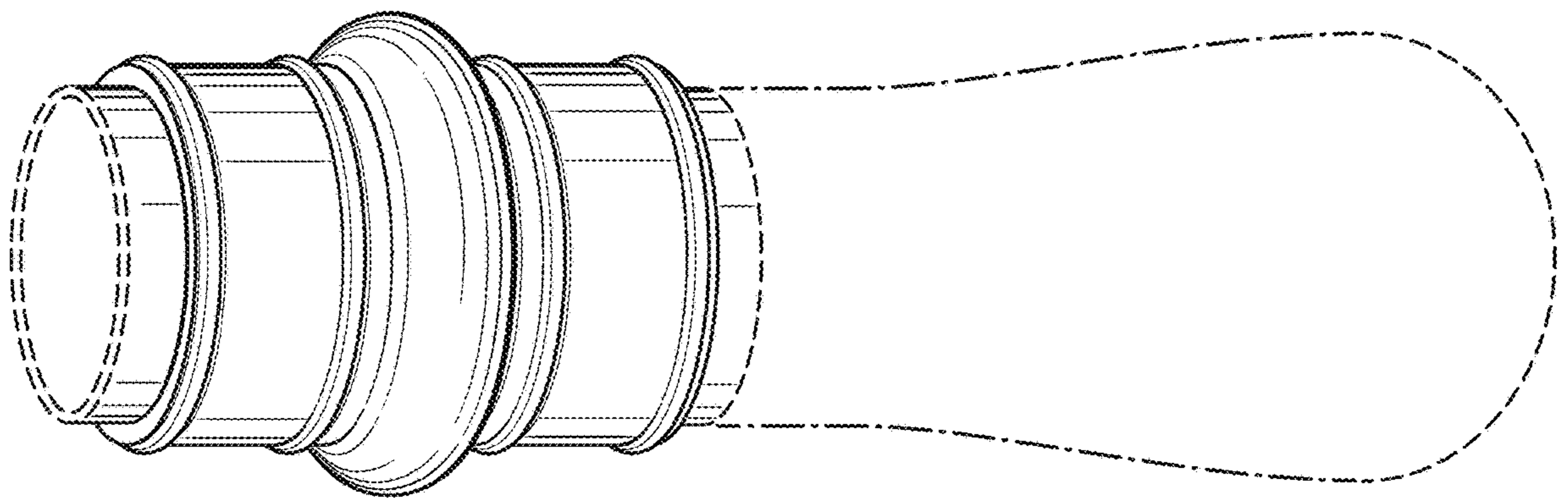


FIG. 5

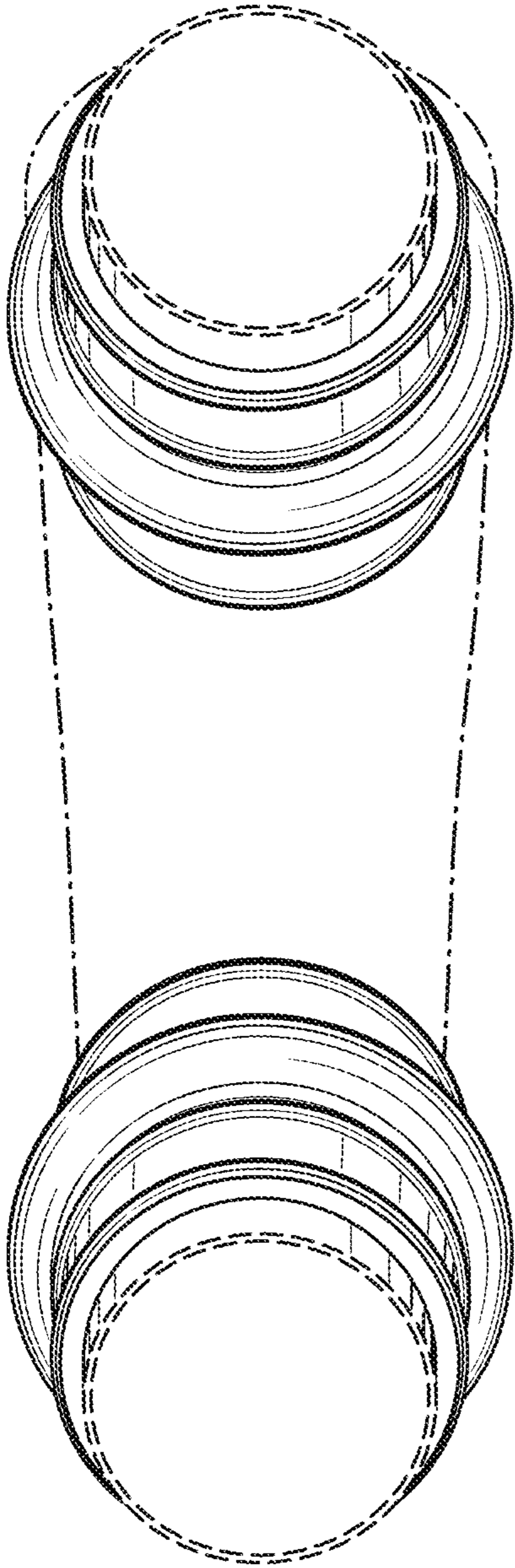


FIG. 6

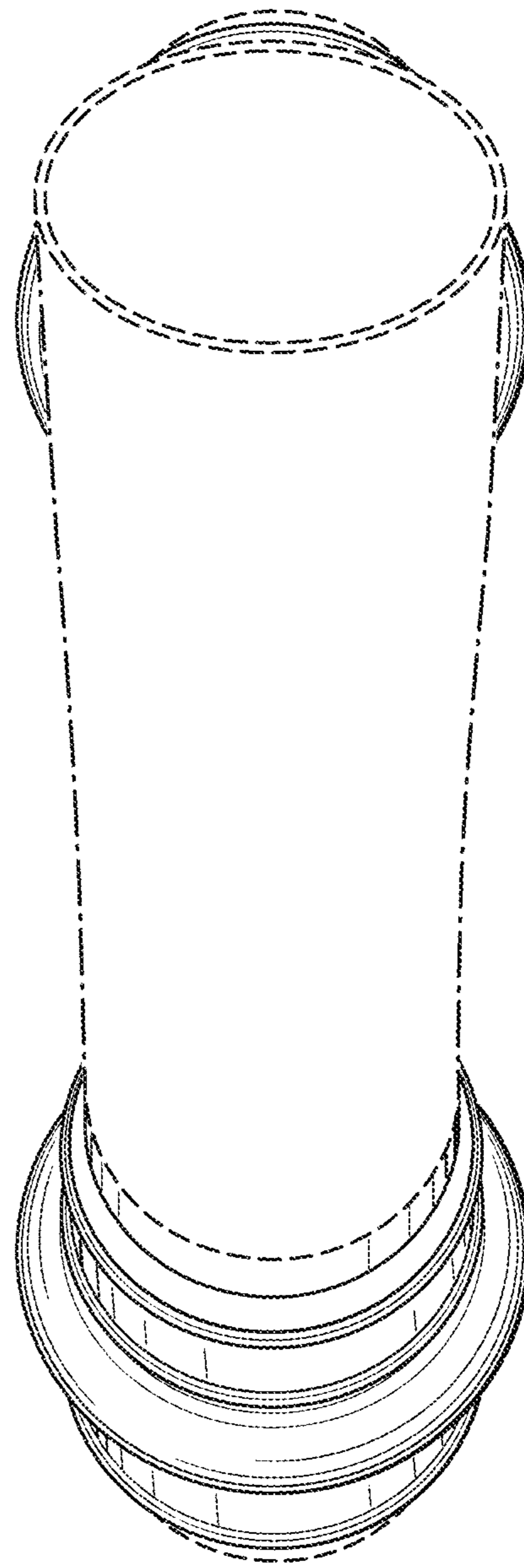


FIG. 7