



US00D875630S

(12) **United States Design Patent**  
**Kana**

(10) **Patent No.:** **US D875,630 S**

(45) **Date of Patent:** **\*\* Feb. 18, 2020**

(54) **EXHAUST MUFFLER FOR AUTOMOBILE**

(71) Applicant: **Stephen A. Kana**, Katy, TX (US)

(72) Inventor: **Stephen A. Kana**, Katy, TX (US)

(\*\*) Term: **15 Years**

(21) Appl. No.: **29/655,400**

(22) Filed: **Jul. 3, 2018**

(51) **LOC (12) Cl.** ..... **12-16**

(52) **U.S. Cl.**  
USPC ..... **D12/194**

(58) **Field of Classification Search**  
USPC ..... D12/194; D15/5  
See application file for complete search history.

(56) **References Cited**

U.S. PATENT DOCUMENTS

D199,181 S *	9/1964	Walker	.....	D12/194
D200,530 S *	3/1965	Jettinghoff	.....	D12/194
D248,463 S *	7/1978	Barnes	.....	D12/194
D573,073 S *	7/2008	Bozajian	.....	D12/194

\* cited by examiner

*Primary Examiner* — Michael A. Pratt

(74) *Attorney, Agent, or Firm* — Keeling Law, LLC;  
Kenneth A. Keeling; Mark S. Solomon

(57) **CLAIM**

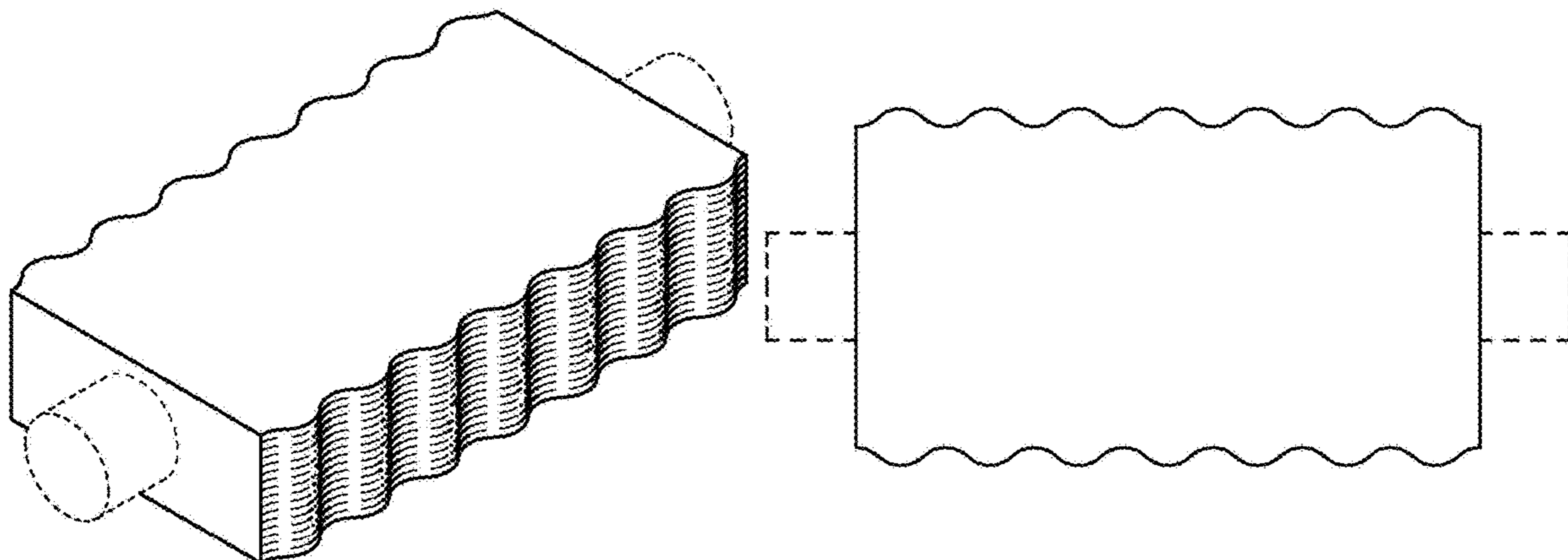
I claim the ornamental design for an exhaust muffler for automobile, as shown and described.

**DESCRIPTION**

FIG. 1 is a perspective view of an exhaust muffler for automobile of the present invention;  
FIG. 2 is a front elevational view thereof (rear elevational view is identical);  
FIG. 3 is a right side elevational view thereof (left side elevational view is identical); and,  
FIG. 4 is a top plan view thereof (bottom plan view is identical).

In the drawings, the broken straight lines and broken lines depicting cylindrical structures in FIGS. 1, 3, and 4, as well as the broken lines showing a round structure in FIG. 2 show portions of environmental structure that form no part of the claimed design.

**1 Claim, 4 Drawing Sheets**



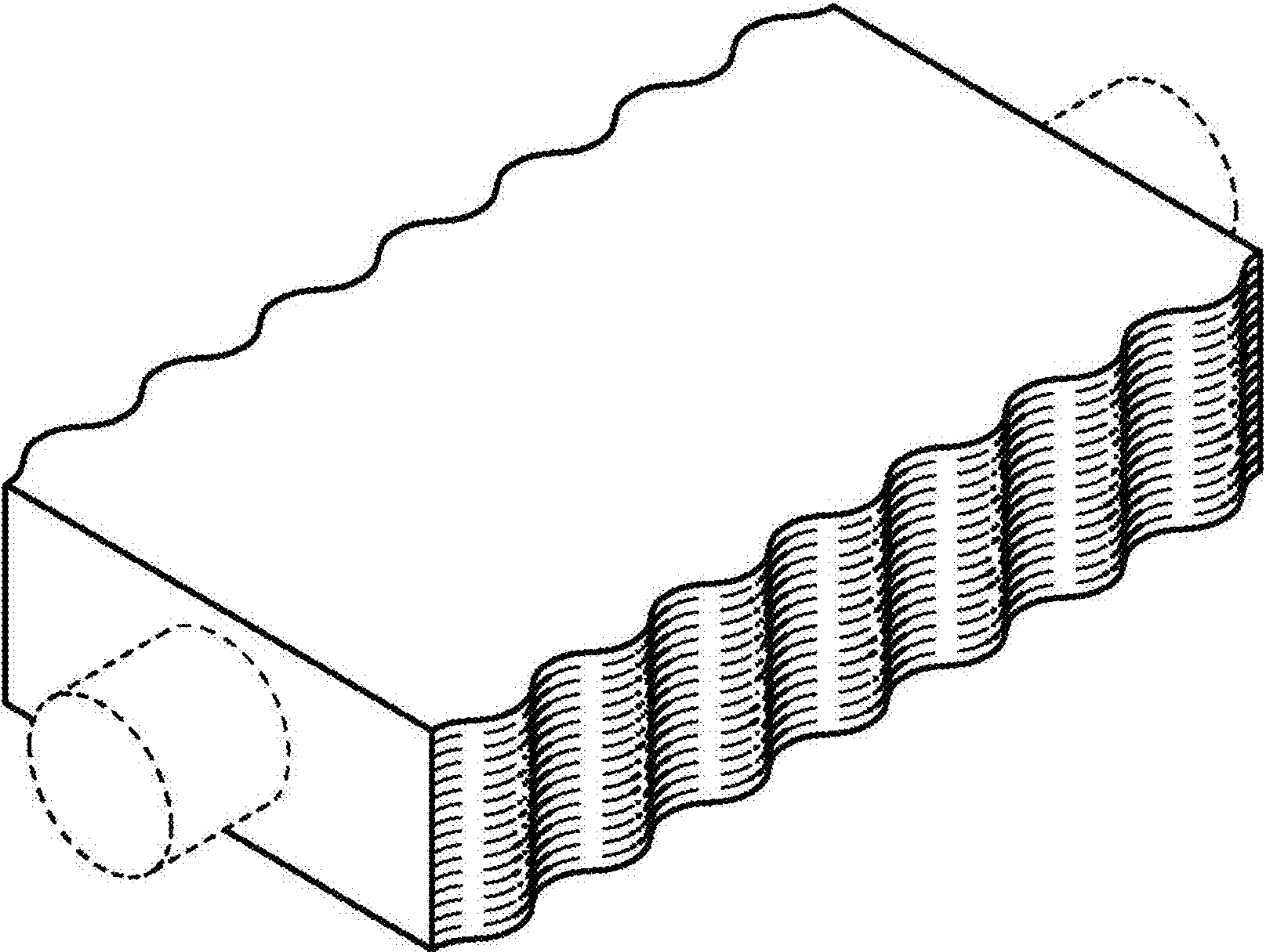


Figure 1

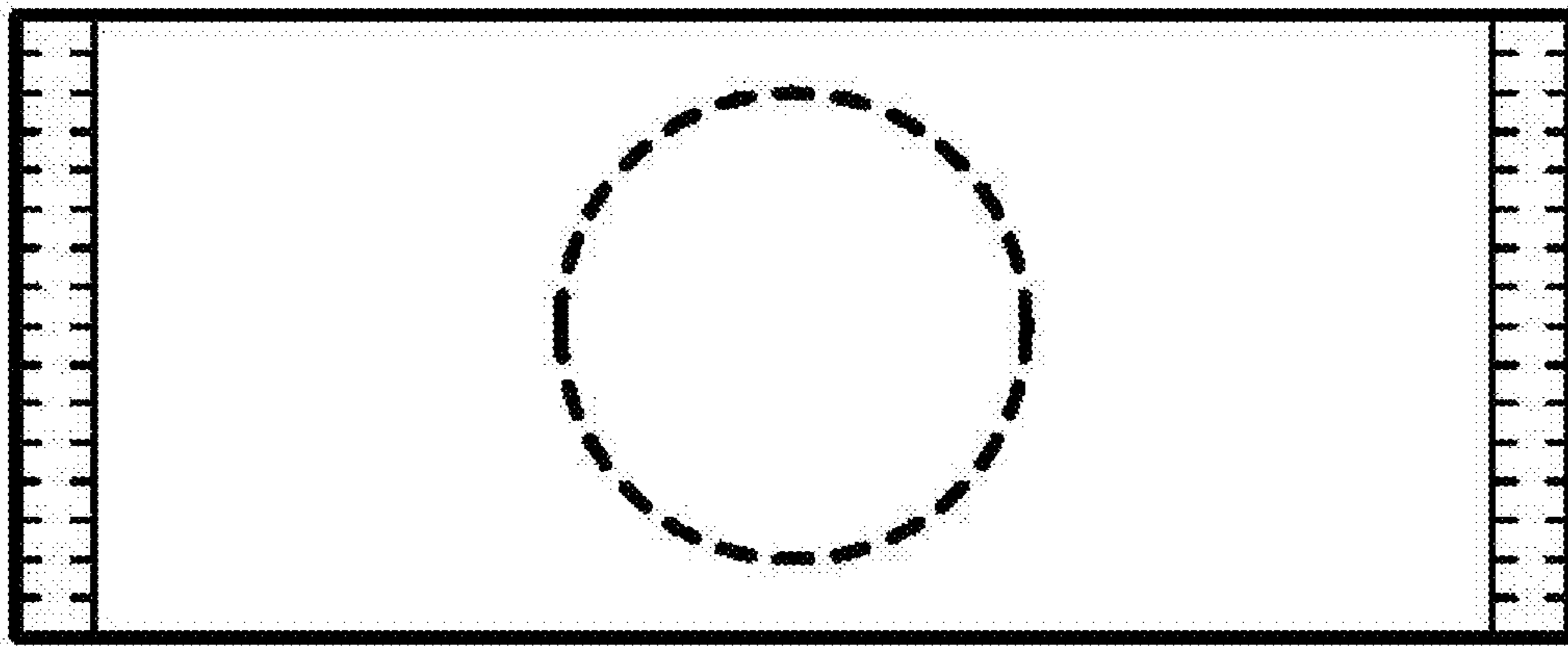


Figure 2

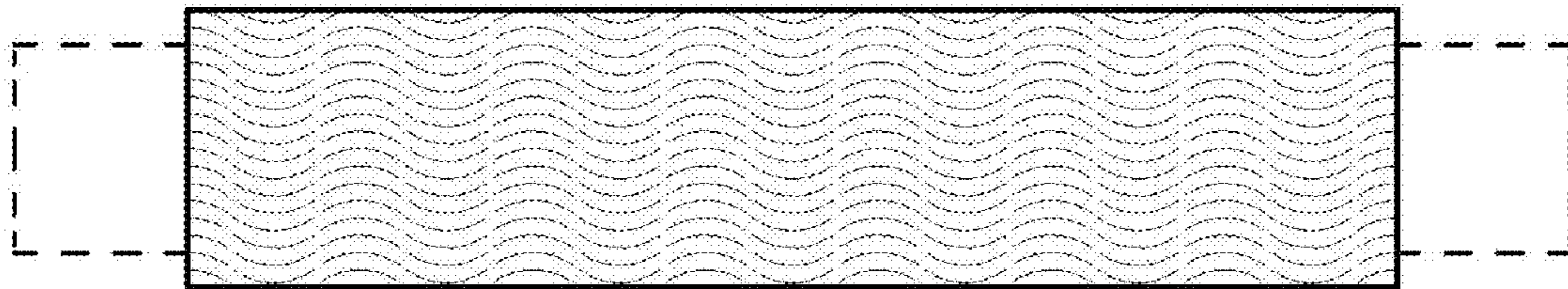


Figure 3

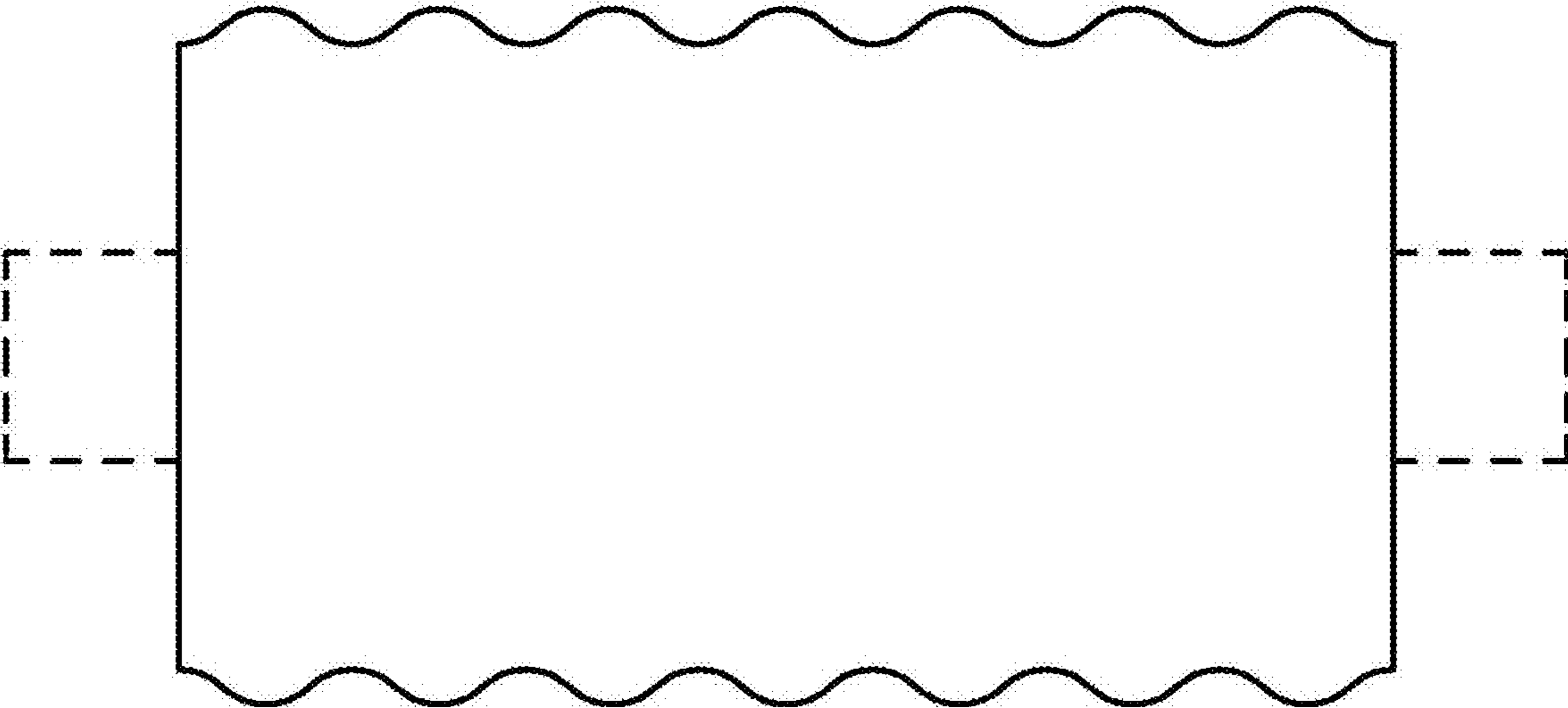


Figure 4