



US00D875629S

(12) **United States Design Patent** (10) **Patent No.:** **US D875,629 S**  
**Alesi et al.** (45) **Date of Patent:** **\*\* Feb. 18, 2020**

(54) **LICENSE PLATE FRAME**  
(71) Applicant: **Custom Accessories, Inc.**, Richmond, IL (US)  
(72) Inventors: **Vincent Alesi**, Kildeer, IL (US); **Anthony Ferenzi**, Plainfield, IL (US)  
(73) Assignee: **CUSTOM ACCESSORIES, INC.**, Richmond, IL (US)  
(\*\*) Term: **15 Years**  
(21) Appl. No.: **29/654,570**  
(22) Filed: **Jun. 26, 2018**  
(51) **LOC (12) Cl.** ..... **12-16**  
(52) **U.S. Cl.**  
USPC ..... **D12/193**  
(58) **Field of Classification Search**  
USPC ..... D12/193; D6/300, 301, 302, 310, 311, D6/312, 313, 314; D20/13  
CPC ..... B60R 13/10; B60R 13/105; B60R 19/24; B60R 19/52  
See application file for complete search history.

D773,366 S \* 12/2016 Alesi ..... D12/193  
D774,431 S 12/2016 Alesi  
D775,035 S 12/2016 Alesi  
D780,651 S \* 3/2017 Spencer ..... D12/193  
D818,919 S \* 5/2018 Spencer ..... D12/193  
(Continued)

**OTHER PUBLICATIONS**

<https://www.ebay.com/itm/Rear-License-Plate-Mounted-Bottle-Opener-Accessory-for-Jeep-Wrangler-JK-Models/331973960039?epid=1585558841&hash=item4d4b30a167>.  
<https://www.quadratec.com/p/jcr-offroad/license-plate-delete-bottle-opener-07-17-jeep-wrangler-jk#&gid=1&pid=1>.

*Primary Examiner* — Natasha Vujcic  
(74) *Attorney, Agent, or Firm* — Patzik, Frank & Samotny Ltd.

(57) **CLAIM**

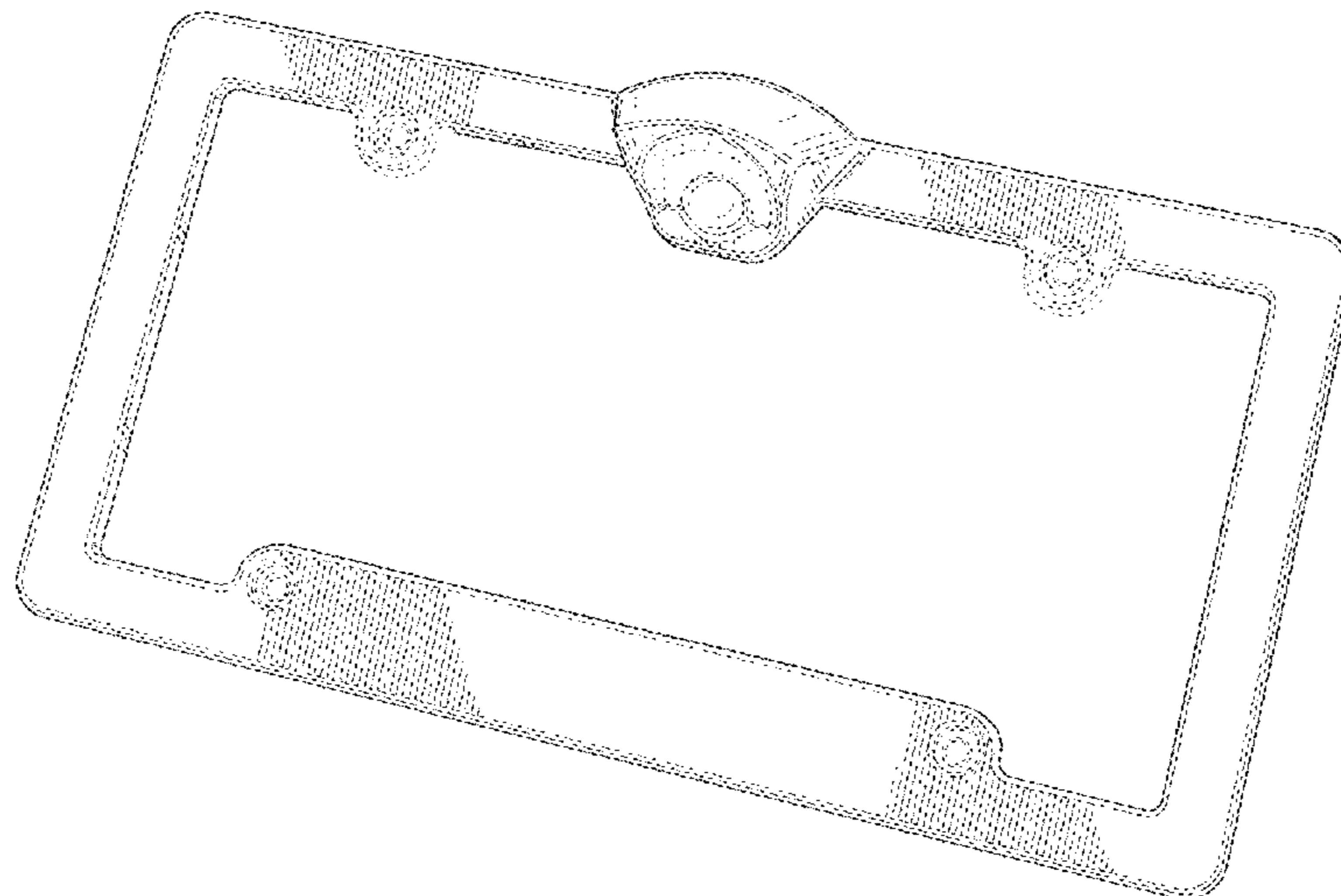
We claim, the ornamental design for a license plate frame, as shown and described.

**DESCRIPTION**

FIG. 1 is a front perspective view of a license plate frame of the present invention;  
FIG. 2 is a top plan view of the license plate frame of the present invention;  
FIG. 3 is a bottom plan view of the license plate frame of the present invention;  
FIG. 4 is a right side elevation view of the license plate frame of the present invention;  
FIG. 5 is a left side elevation view of the license plate frame of the present invention;  
FIG. 6 is a rear elevation view of the license plate frame of the present invention; and,  
FIG. 7 is a front elevation view of the license plate frame of the present invention.  
The broken lines in the drawings illustrate portions of license plate frame which form no part of the claimed design.

**1 Claim, 5 Drawing Sheets**

(56) **References Cited**  
U.S. PATENT DOCUMENTS  
D342,929 S \* 1/1994 Spencer ..... D12/193  
5,381,618 A 1/1995 Singleton  
5,404,664 A 4/1995 Brooks et al.  
D496,312 S \* 9/2004 Sybilrud ..... D12/193  
D578,049 S \* 10/2008 Son ..... D12/193  
D596,545 S \* 7/2009 Son ..... D12/193  
D631,415 S 1/2011 Spencer et al.  
D644,582 S \* 9/2011 Palmer ..... D12/193  
D644,973 S \* 9/2011 Miyawaki ..... D12/193  
D651,547 S 1/2012 Spencer et al.  
8,291,627 B1 10/2012 Spencer et al.  
D672,297 S \* 12/2012 Dong ..... D12/193  
D685,307 S 7/2013 Chung  
D692,815 S \* 11/2013 Chung ..... D12/193  
D705,845 S \* 5/2014 Chung ..... D12/193  
D715,202 S 10/2014 Spencer et al.  
D726,613 S \* 4/2015 Spencer ..... D12/193



(56)

**References Cited**

U.S. PATENT DOCUMENTS

D823,759 S *	7/2018	Spencer .....	D12/193
D824,828 S *	8/2018	Marksteiner .....	D12/193
D853,463 S *	7/2019	Batten .....	D16/208
2003/0079381 A1	5/2003	Spencer et al.	

\* cited by examiner

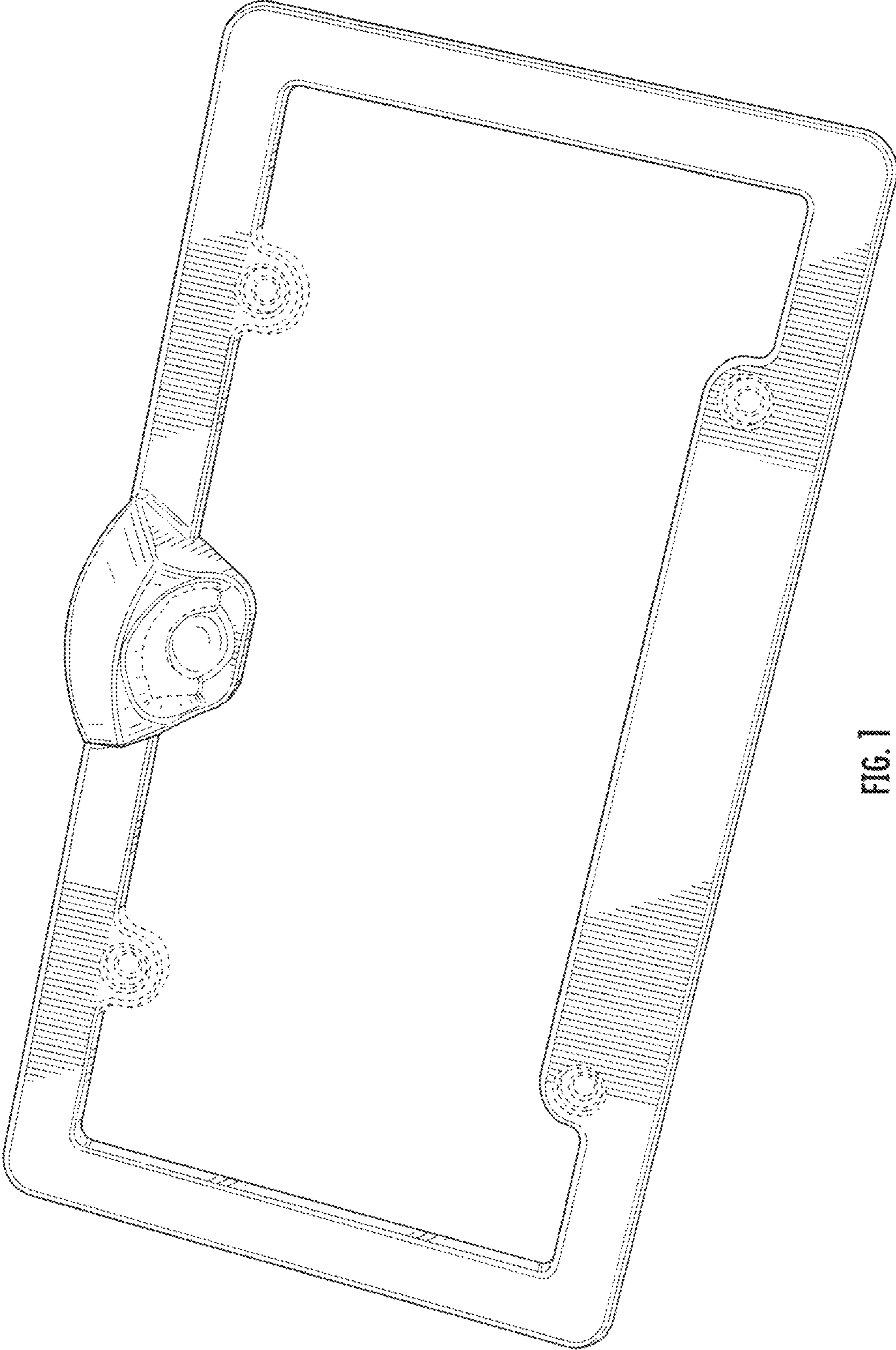


FIG. 1

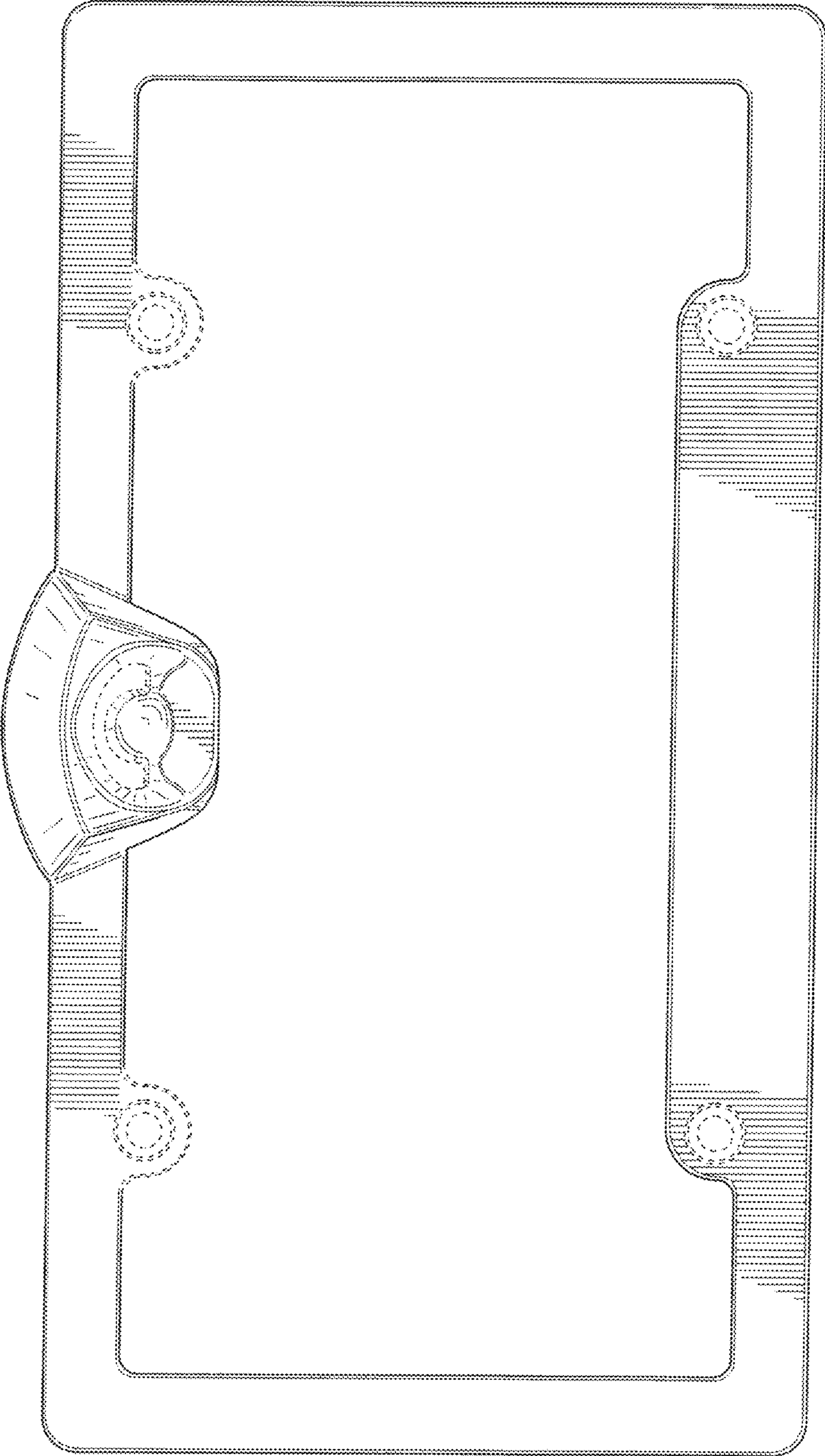


FIG. 2

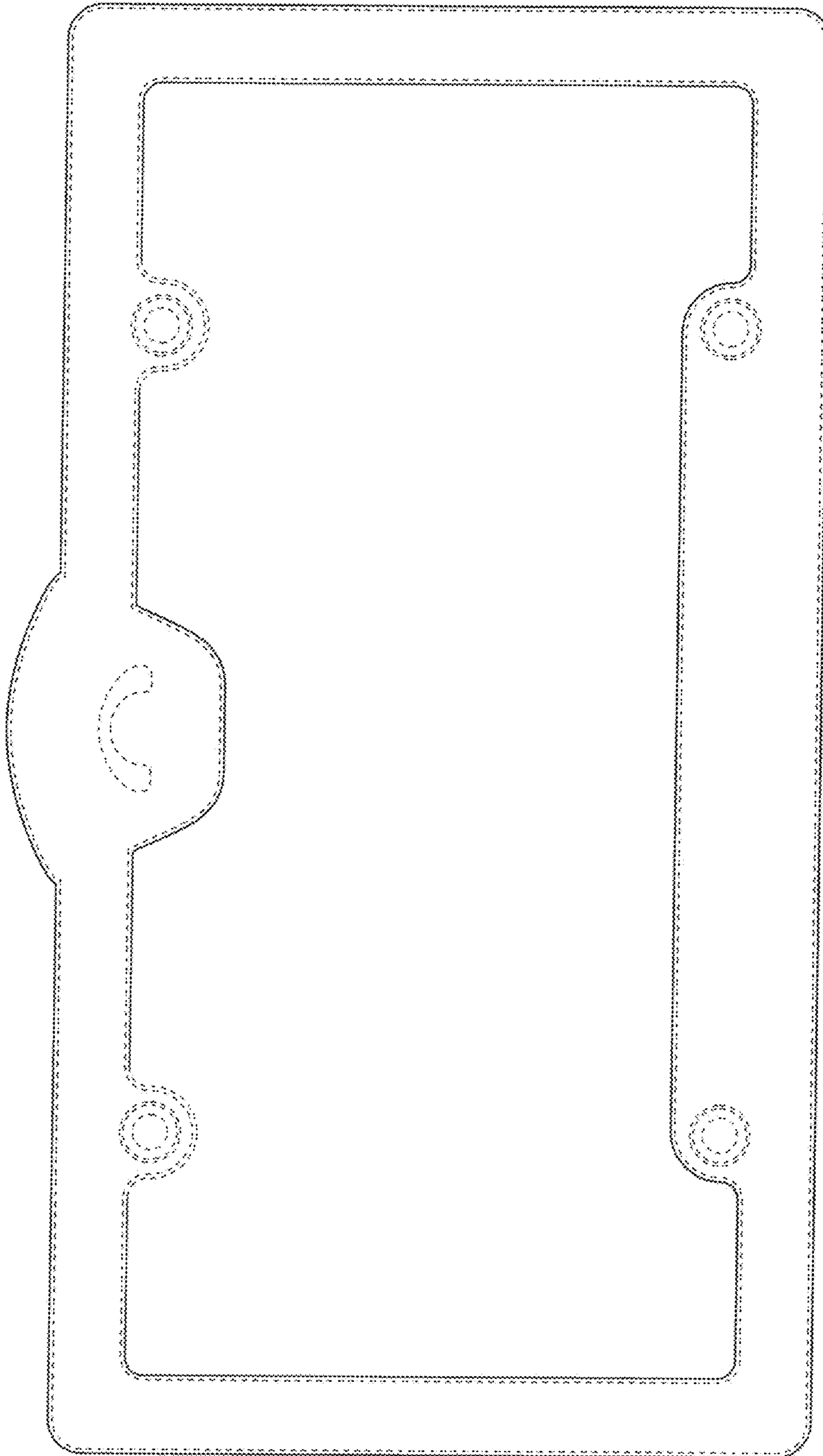


FIG. 3

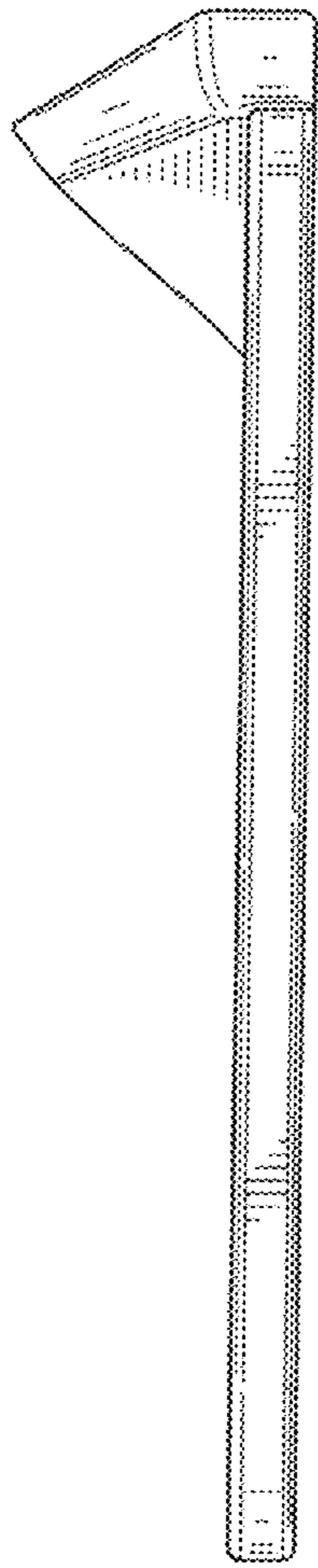


FIG. 4

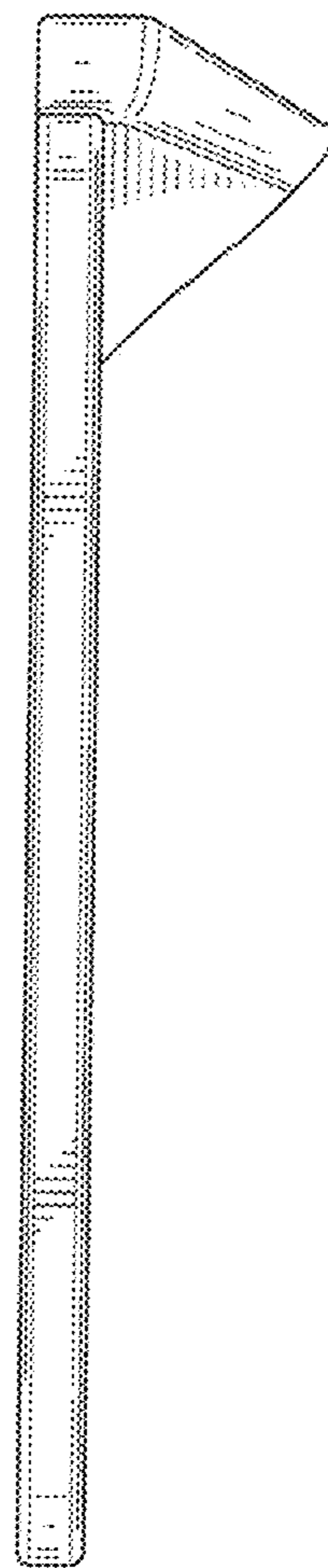


FIG. 5

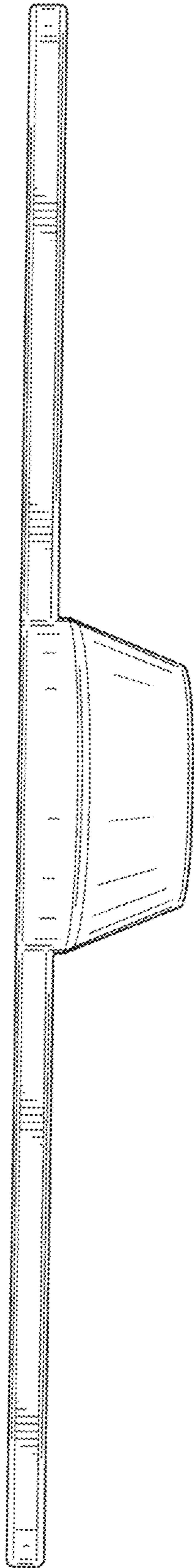


FIG. 6

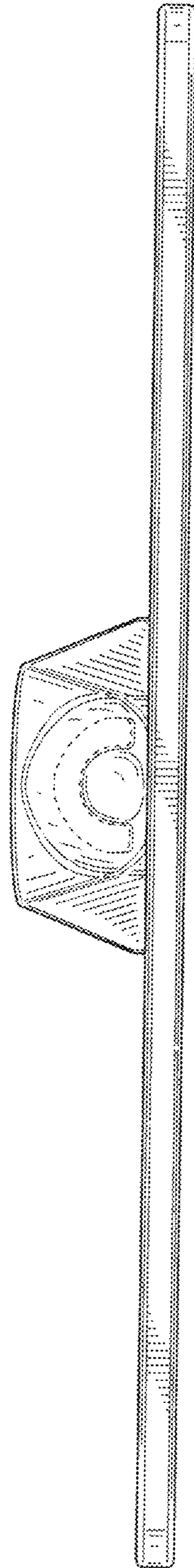


FIG. 7