



US00D875628S

(12) **United States Design Patent**  
**Gloodt**

(10) **Patent No.:** **US D875,628 S**

(45) **Date of Patent:** **\*\* Feb. 18, 2020**

(54) **LICENSE PLATE FRAME**

(71) Applicant: **Cary Gloodt**, Burr Ridge, IL (US)

(72) Inventor: **Cary Gloodt**, Burr Ridge, IL (US)

(\*\*) Term: **15 Years**

(21) Appl. No.: **29/633,929**

(22) Filed: **Jan. 17, 2018**

(51) **LOC (12) Cl.** ..... **12-16**

(52) **U.S. Cl.**  
USPC ..... **D12/193**

(58) **Field of Classification Search**  
USPC ..... D12/193; D6/300, 301, 302, 310, 311,  
D6/312, 313, 314; D20/13  
CPC ..... B60R 13/10; B60R 13/105; B60R 19/24;  
B60R 19/52  
See application file for complete search history.

(56) **References Cited**

**U.S. PATENT DOCUMENTS**

D39,344 S *	6/1908	Ferdinand Schoettle .....	D9/418
D285,784 S *	9/1986	Langensiepen .....	D12/193
D294,975 S *	3/1988	Lester .....	D12/193
D367,459 S *	2/1996	Spencer .....	D12/193
D416,527 S *	11/1999	Steinhagen .....	D12/193
D576,934 S *	9/2008	Hirth .....	D12/193
D590,311 S *	4/2009	Pacleb .....	D12/193
D625,234 S *	10/2010	Vuletic .....	D12/193

D713,771 S *	9/2014	Kuo .....	D12/193
D734,228 S *	7/2015	Masanek, Jr. ....	D12/193
D758,267 S *	6/2016	Marko, Jr. ....	D12/193
D784,879 S *	4/2017	Liao .....	D12/193
10,053,029 B2 *	8/2018	Georgiadis .....	G09F 21/048
D847,713 S *	5/2019	Swisher .....	D12/193

\* cited by examiner

*Primary Examiner* — **Natasha Vujcic**

(74) *Attorney, Agent, or Firm* — **C. John Brannon;**  
**Brannon Sowers & Cracraft PC**

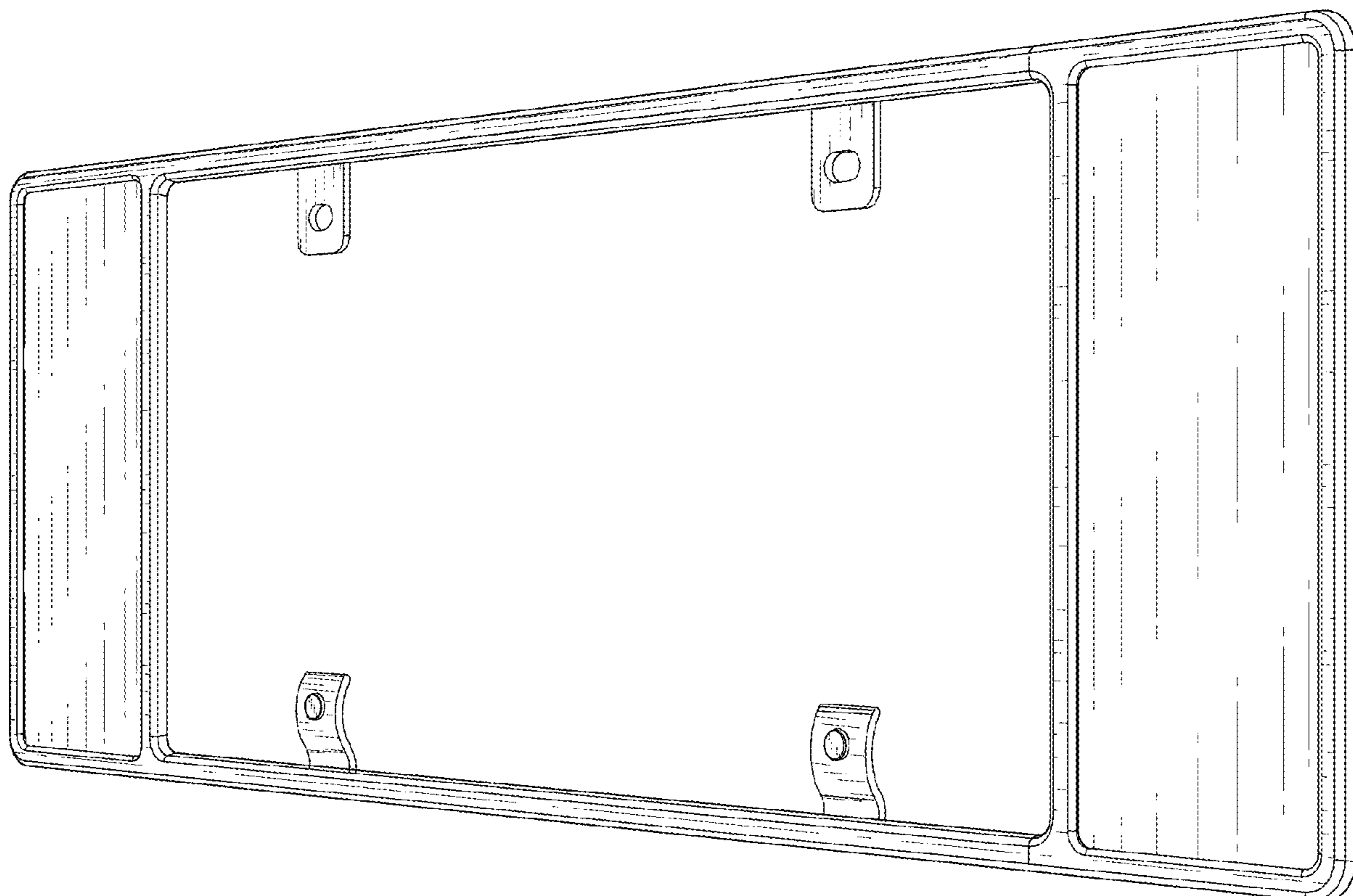
(57) **CLAIM**

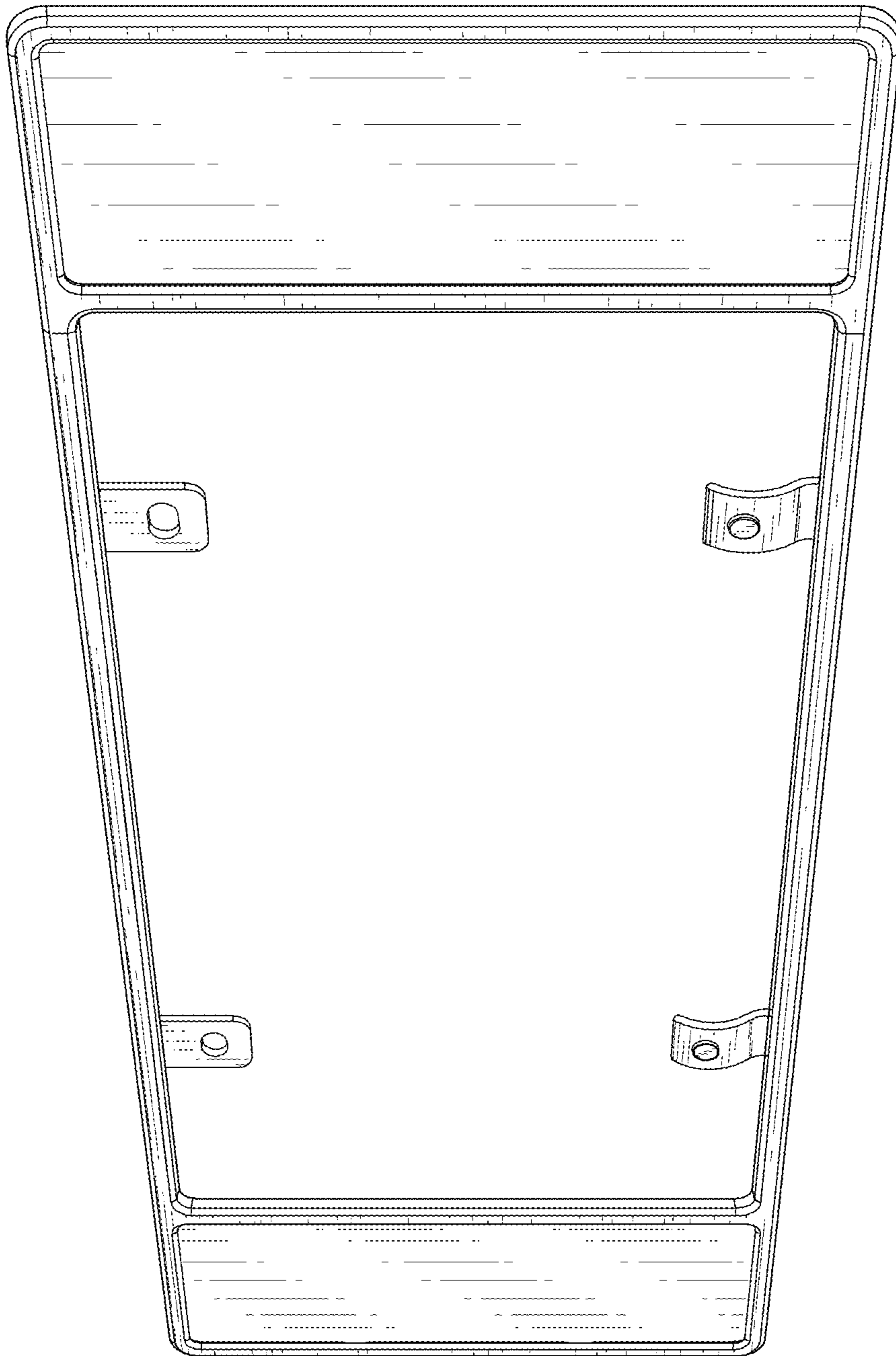
The ornamental design for a license plate frame, as shown and described.

**DESCRIPTION**

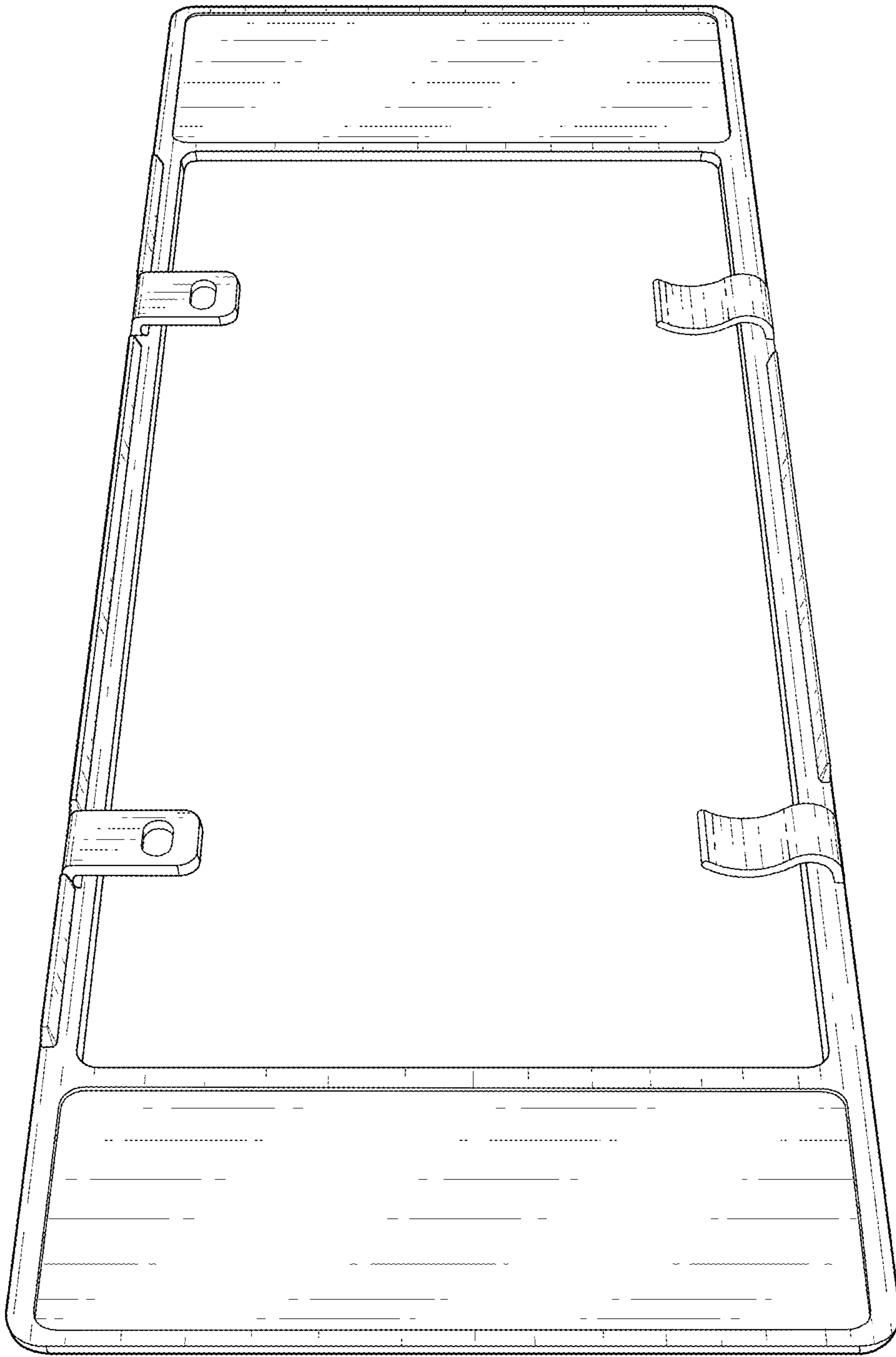
FIG. 1 is a front perspective view of a license plate frame showing my new design;  
FIG. 2 is a rear perspective view of the license plate frame of FIG. 1;  
FIG. 3 is a front plan view of the license plate frame of FIG. 1;  
FIG. 4 is a top plan view of the license plate frame of FIG. 1;  
FIG. 5 is a left side elevation view of the license plate frame of FIG. 1;  
FIG. 6 is a bottom plan view of the license plate frame of FIG. 1; and,  
FIG. 7 is a rear plan view of the license plate frame of FIG. 1.

**1 Claim, 5 Drawing Sheets**

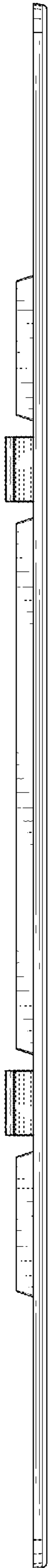




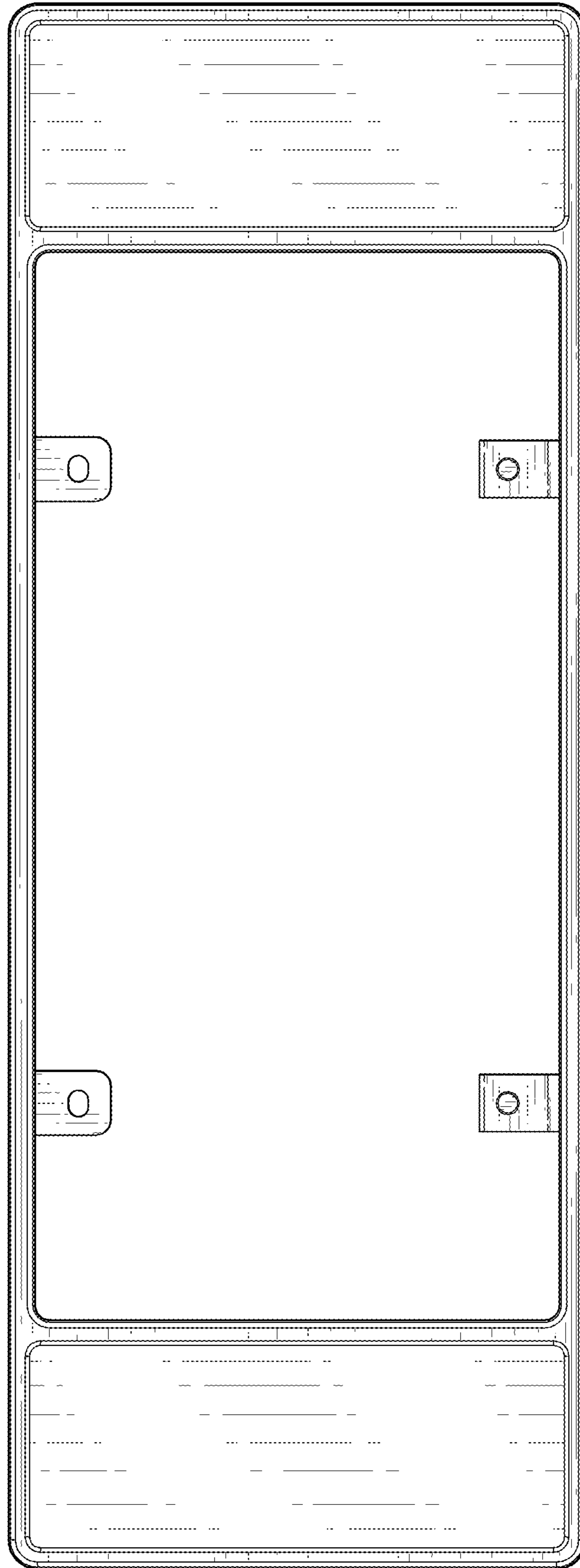
**Fig. 1**



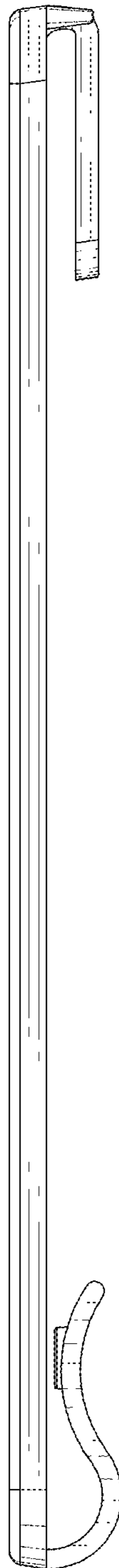
**Fig. 2**



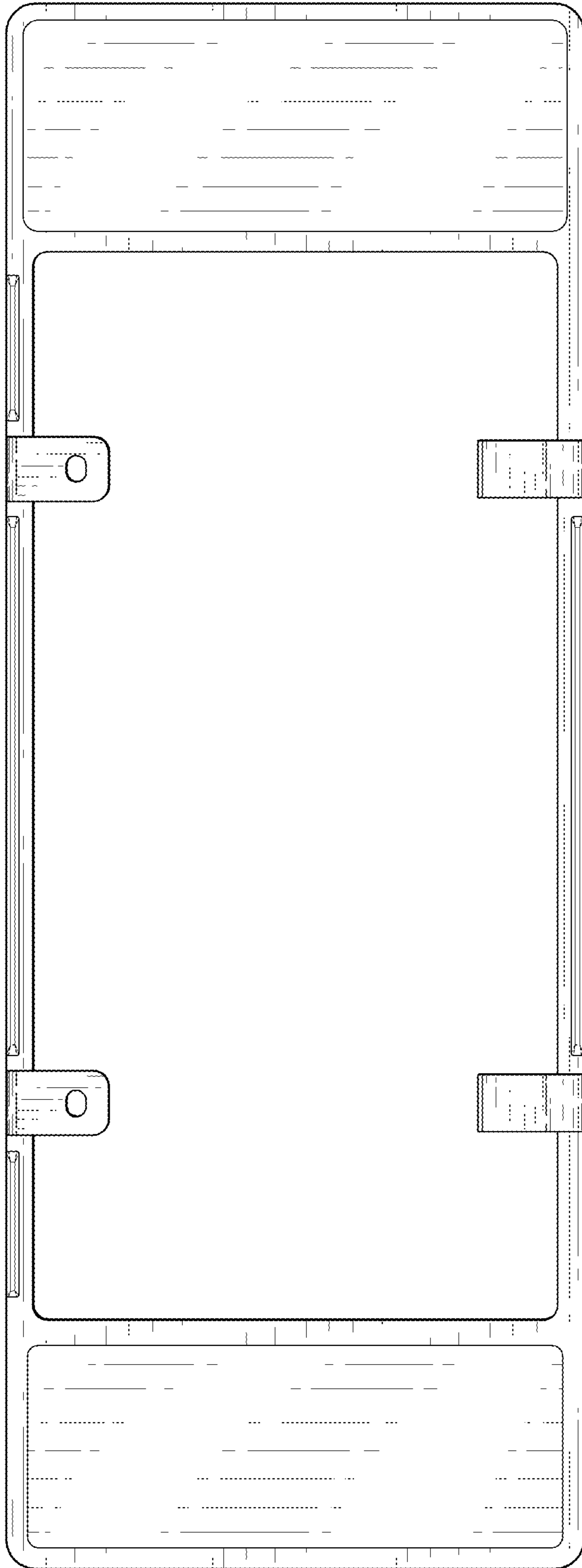
**Fig. 4**



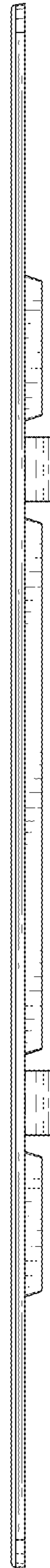
**Fig. 3**



**Fig. 5**



**Fig. 7**



**Fig. 6**