

US00D875624S

(12) **United States Design Patent** (10) **Patent No.:** **US D875,624 S**
Tanghe (45) **Date of Patent:** **** Feb. 18, 2020**

(54) **FRONT BUMPER FOR A VEHICLE**
(71) Applicant: **Bayerische Motoren Werke Aktiengesellschaft, Munich (DE)**
(72) Inventor: **Pascal Tanghe, Munich (DE)**
(73) Assignee: **Bayerische Motoren Werke Aktiengesellschaft, Munich (DE)**

(**) Term: **15 Years**

(21) Appl. No.: **29/676,463**

(22) Filed: **Jan. 11, 2019**

(30) **Foreign Application Priority Data**

Jul. 20, 2018 (DE) 40 2018 100 722

(51) **LOC (12) Cl.** **12-16**

(52) **U.S. Cl.**
USPC **D12/169**

(58) **Field of Classification Search**
USPC D12/169, 196, 86, 90-92, 163, 190, 98, D12/164; 293/102, 113, 115, 117, 120, 293/193.11; 296/180.1, 180.2; 180/68.1, 180/68.6
CPC B60R 19/52; B60K 11/08; B62D 25/08; B62B 9/16
See application file for complete search history.

(56) **References Cited**

U.S. PATENT DOCUMENTS

D716,199 S * 10/2014 Beermann D12/169
D735,096 S * 7/2015 Nissl D12/169
D748,543 S * 2/2016 Nissl D12/169
D772,122 S * 11/2016 Zurian D12/169
D787,377 S * 5/2017 Al Attar D12/92
D787,990 S * 5/2017 Kozub D12/169

D803,100 S * 11/2017 Forschner D12/92
D803,112 S * 11/2017 Tomita D12/169
D823,746 S * 7/2018 Lim D12/169
D823,747 S * 7/2018 Tsarukyan D12/169
D825,412 S * 8/2018 Luk D12/169
D825,414 S * 8/2018 De Bono D12/169
D855,510 S * 8/2019 Nissl D12/169

FOREIGN PATENT DOCUMENTS

EM 002156745-0001 1/2013
WO WO DM/080113 8/2013
WO WO DM/103695 11/2018

* cited by examiner

Primary Examiner — Melody N Brown

(74) *Attorney, Agent, or Firm* — Crowell & Moring LLP

(57) **CLAIM**

The ornamental design for a front bumper for a vehicle, as shown and described.

DESCRIPTION

This application contains subject matter related to the following co-pending U.S. design patent applications:

Application Ser. No. 29/650,339, filed Jun. 6, 2018 and entitled "Front Bumper for a Vehicle"; and

Application Ser. No. 29/676,461, filed herewith and entitled "Front Bumper for a Vehicle"

FIG. 1 is a front view of a front bumper for a vehicle according to the design;

FIG. 2 is a right, front perspective view thereof;

FIG. 3 is a left, bottom perspective view thereof;

FIG. 4 is a right side view thereof;

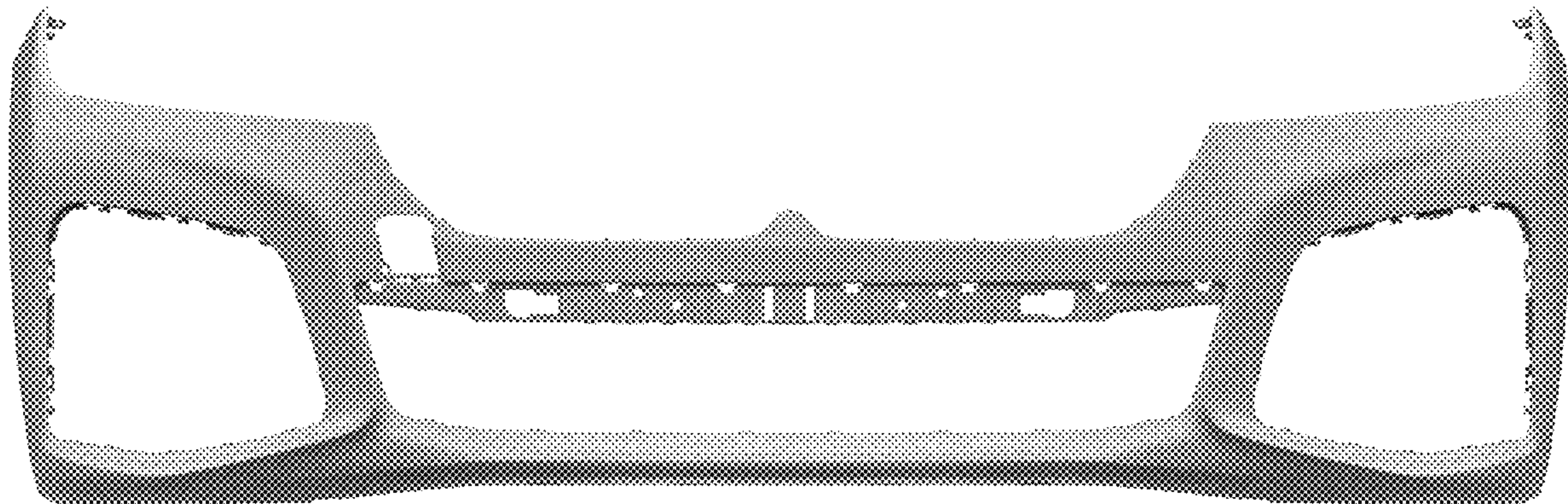
FIG. 5 is a left side view thereof;

FIG. 6 is a top view thereof;

FIG. 7 is a bottom view thereof; and,

FIG. 8 is a rear view thereof.

1 Claim, 8 Drawing Sheets



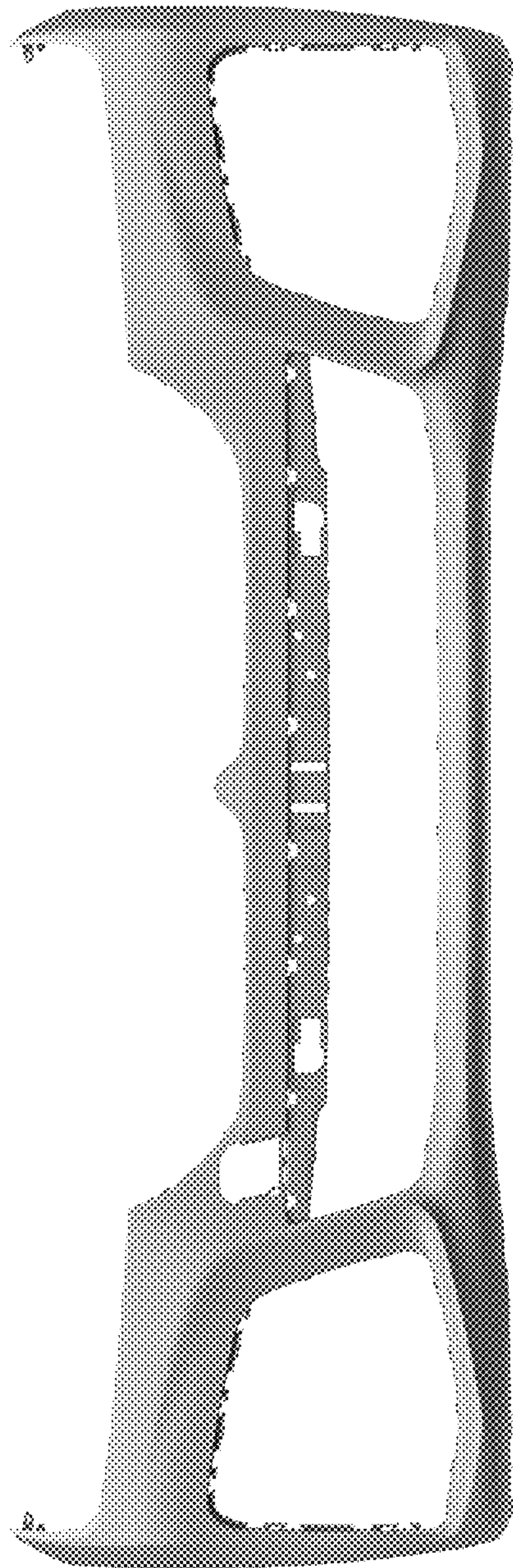


Fig. 1

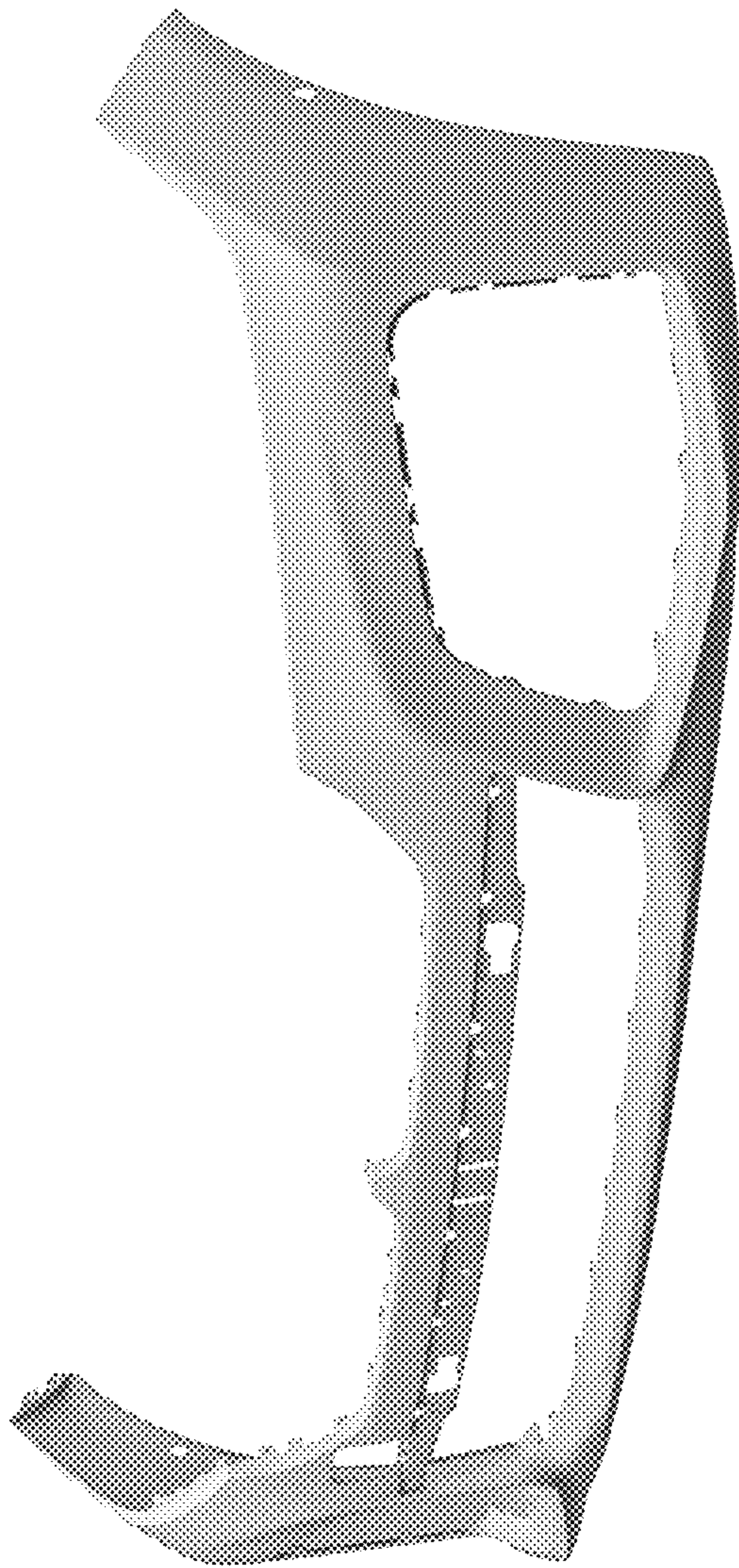


Fig. 2

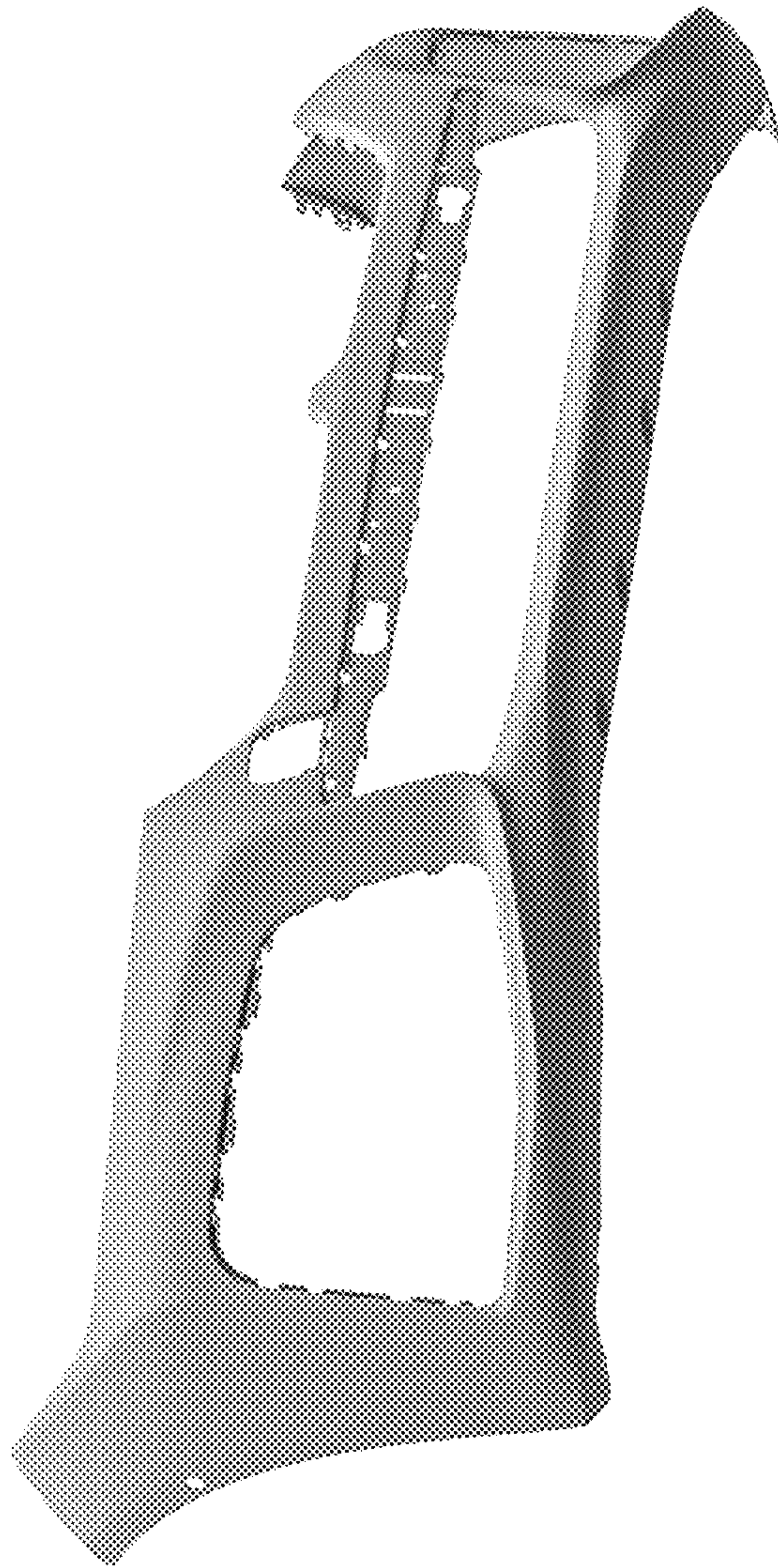


Fig. 3

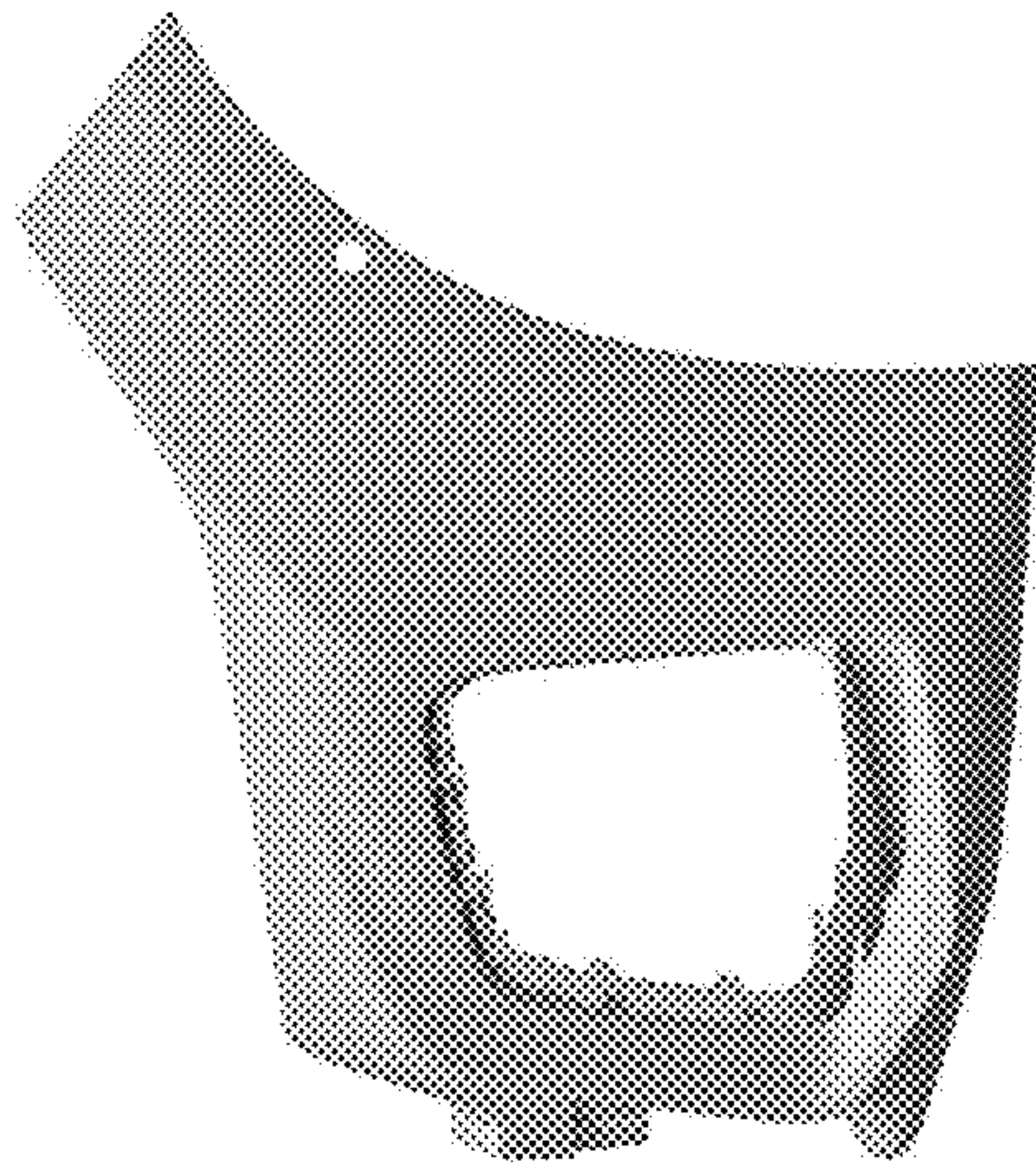


Fig. 4

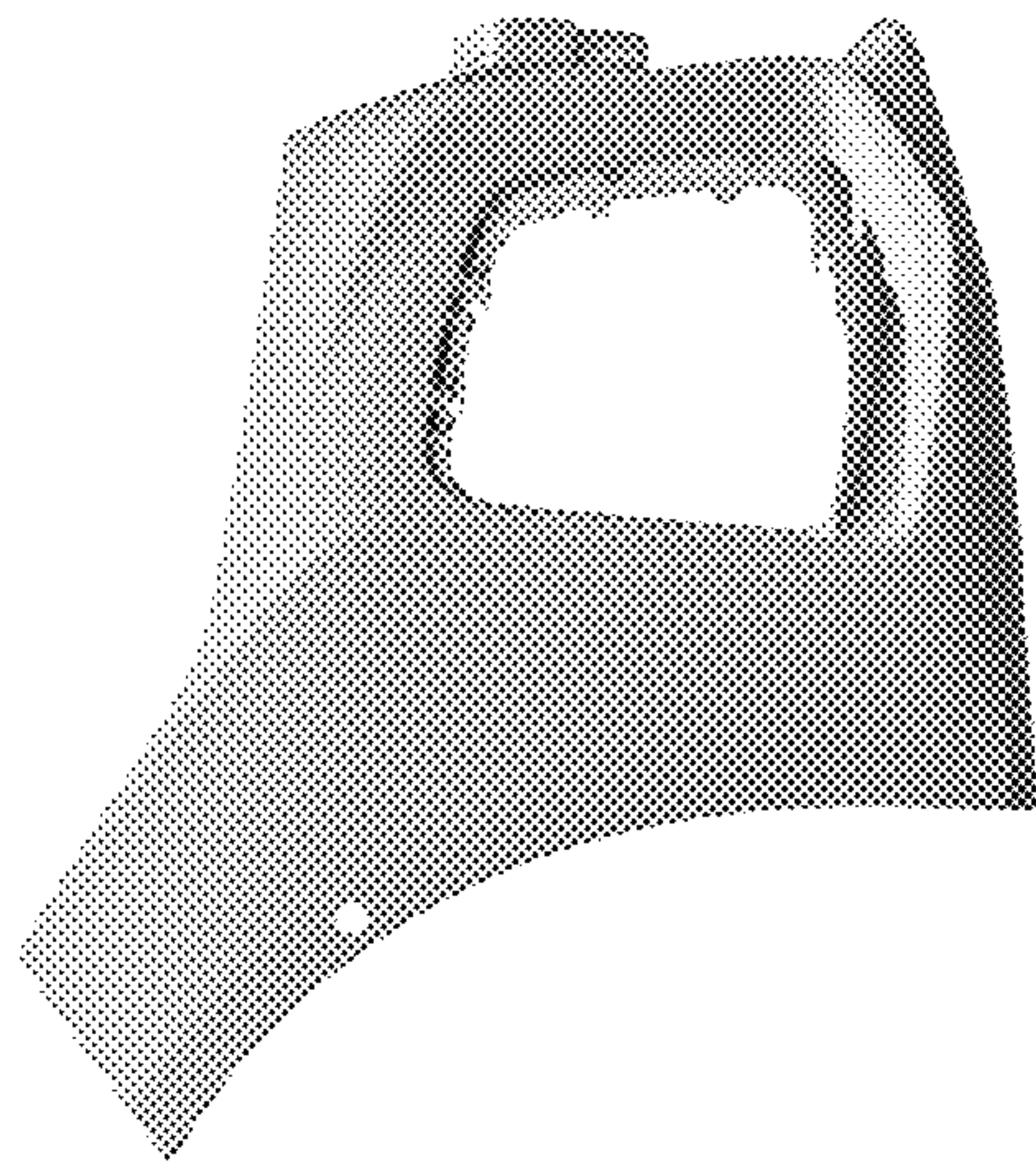


Fig. 5

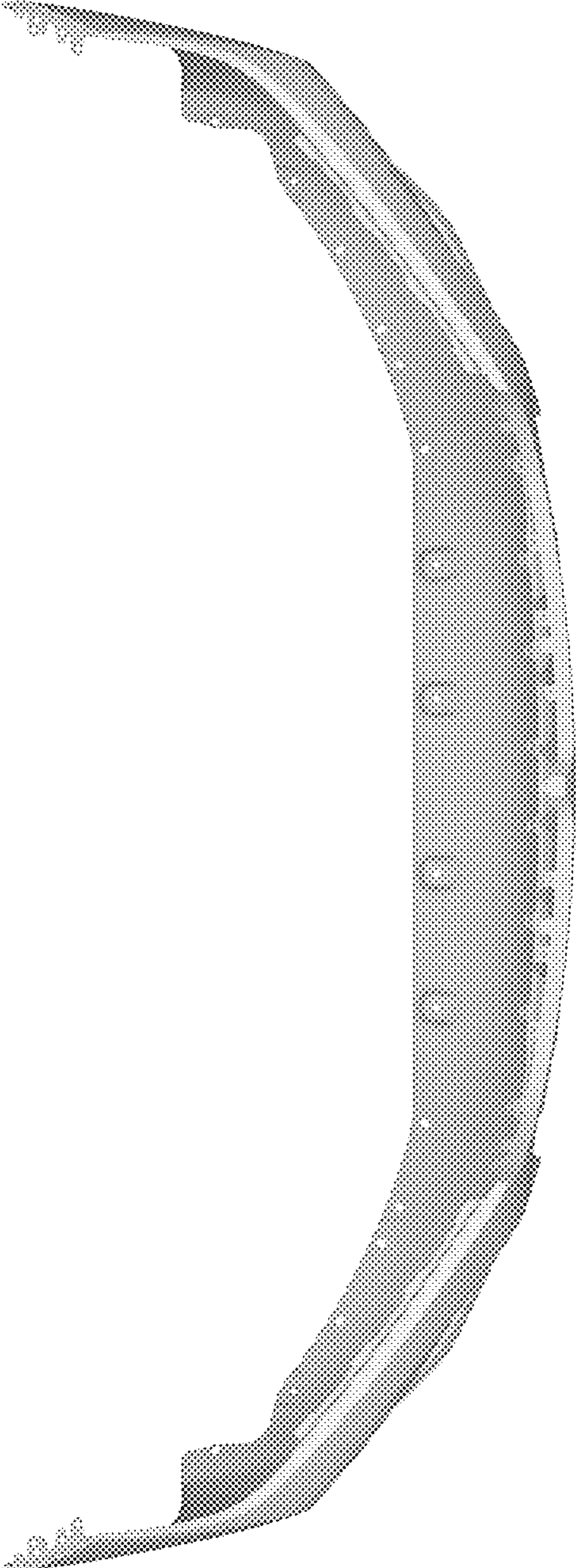


Fig. 6

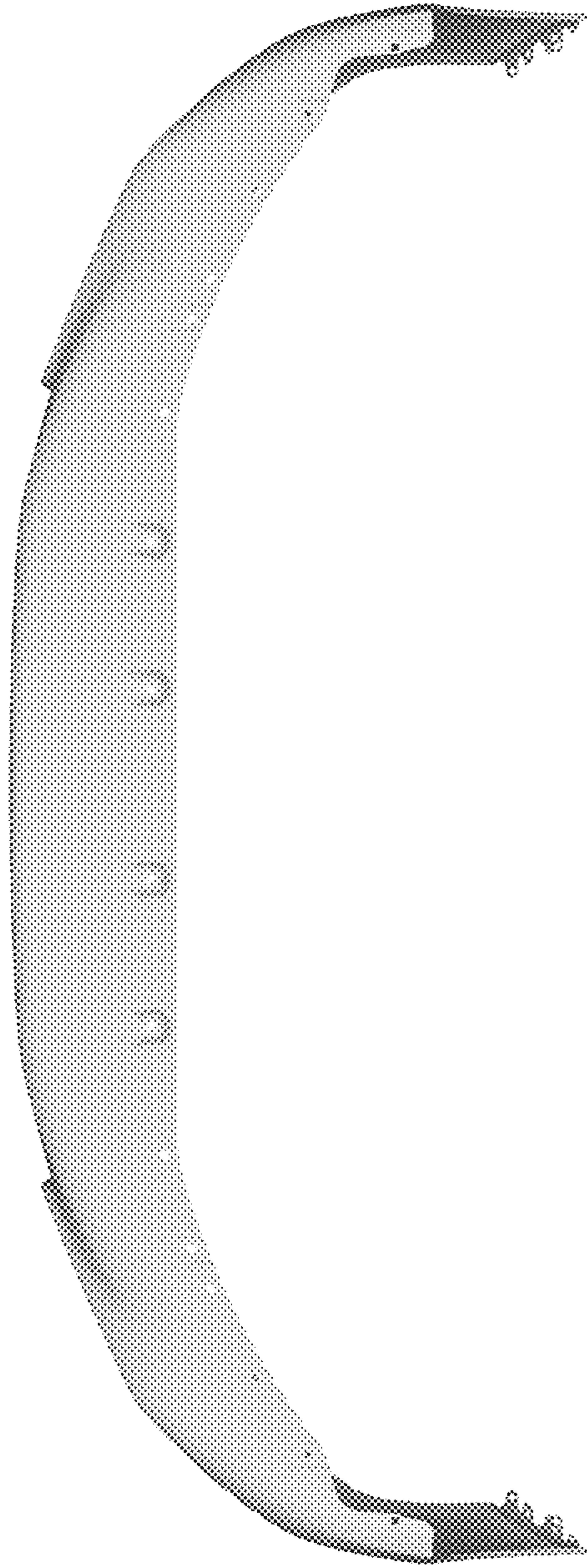


Fig. 7

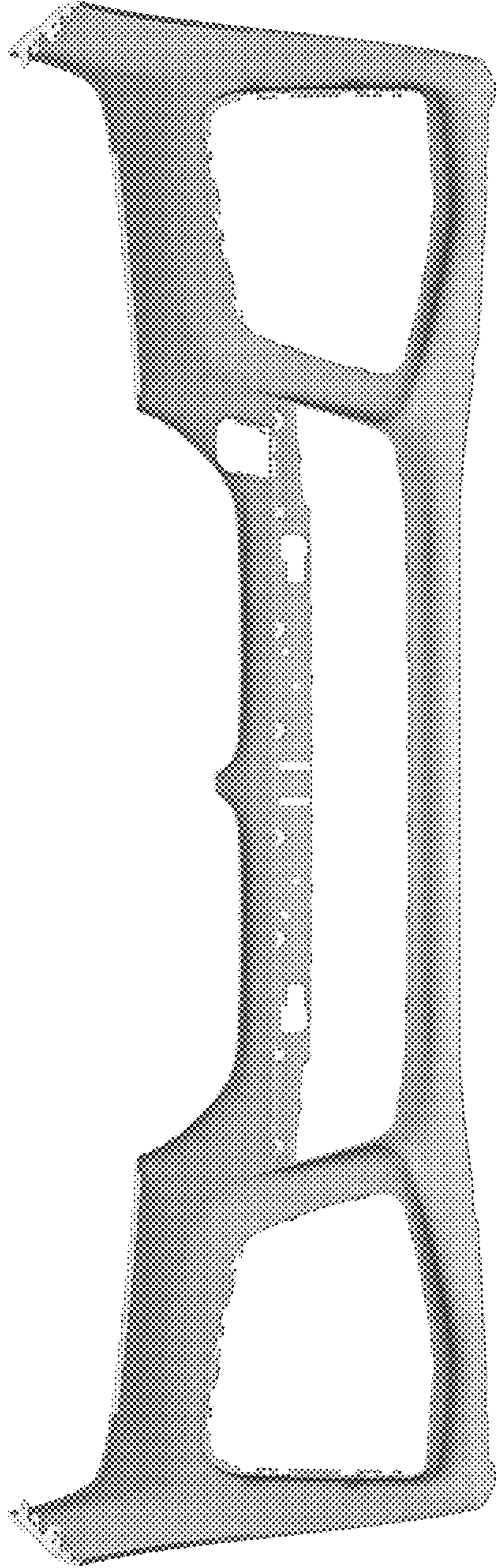


Fig. 8