



US00D875620S

(12) **United States Design Patent**
Watson

(10) **Patent No.:** **US D875,620 S**

(45) **Date of Patent:** **** Feb. 18, 2020**

(54) **FIFTH-WHEEL TOWING APPARATUS**

(71) Applicant: **Charles A Watson**, Warren, OH (US)

(72) Inventor: **Charles A Watson**, Warren, OH (US)

(**) Term: **15 Years**

(21) Appl. No.: **29/664,021**

(22) Filed: **Sep. 20, 2018**

(51) **LOC (12) Cl.** **12-16**

(52) **U.S. Cl.**
USPC **D12/162**

(58) **Field of Classification Search**
CPC . B60D 1/60; B60D 1/065; B60D 1/00; B60D
1/06; B60D 1/36
See application file for complete search history.

(56) **References Cited**

U.S. PATENT DOCUMENTS

5,503,422	A *	4/1996	Austin	B60D 1/06 280/477
5,549,316	A *	8/1996	Jones	B60D 1/363 280/477
5,697,630	A *	12/1997	Thompson	B60D 1/363 280/477
D414,732	S *	10/1999	Redmond	D12/162
D503,131	S *	3/2005	Underwood	B60D 1/075 D12/162
D615,006	S *	5/2010	Goodman	B60D 1/363 D12/162
D687,353	S *	8/2013	Dunn	D12/162
D697,838	S *	1/2014	Borkholder	D12/162
D797,008	S *	9/2017	Borkholder	B60D 1/363 D12/162
D828,249	S *	9/2018	Gustafson	D12/180
D832,748	S *	11/2018	Scott	D12/162

D837,698	S *	1/2019	Song	B60D 1/06 D12/162
D847,697	S *	5/2019	McCuskey	B60D 1/06 D12/162
D851,546	S *	6/2019	McCuskey	D12/162
D856,199	S *	8/2019	Siegel	D12/162
2008/0106065	A1 *	5/2008	Cutts	B60D 1/145 280/504
2010/0207360	A1 *	8/2010	Columbia	B60D 1/02 280/504

* cited by examiner

Primary Examiner — Katrina A Betton

(74) *Attorney, Agent, or Firm* — Brennan, Manna & Diamond, LLC

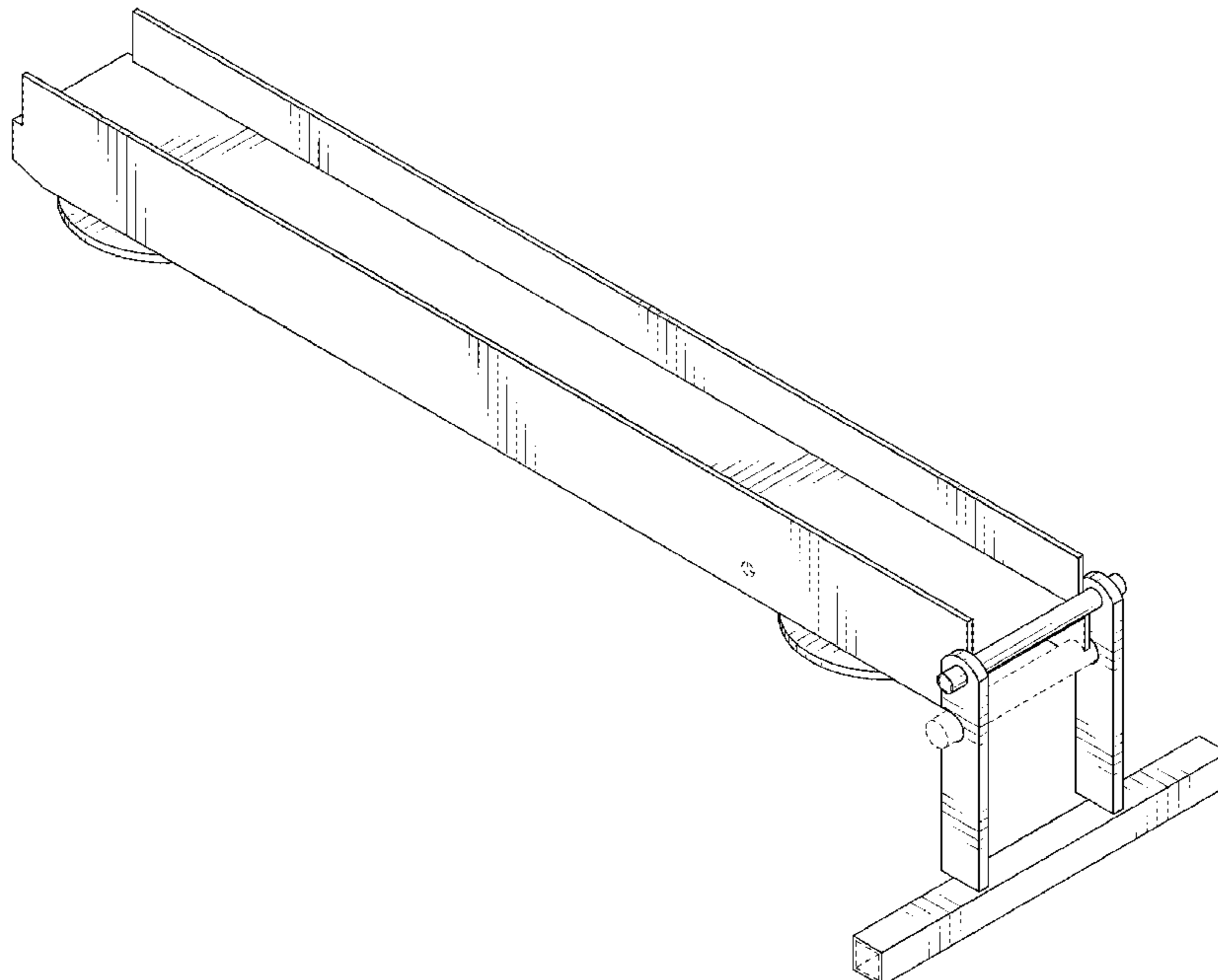
(57) **CLAIM**

The ornamental design for a fifth-wheel towing apparatus, as shown and described.

DESCRIPTION

FIG. 1 is a top perspective view of a fifth-wheel towing apparatus showing my new design;
 FIG. 2 is a bottom perspective view thereof;
 FIG. 3 is a left view thereof;
 FIG. 4 is a right view thereof;
 FIG. 5 is a top view thereof;
 FIG. 6 is a bottom view thereof;
 FIG. 7 is a front view thereof;
 FIG. 8 is a rear view thereof;
 FIG. 9 is a top perspective view thereof, wherein a guard has been moved to a stowed position; and,
 FIG. 10 is a bottom perspective view thereof, wherein the guard has been moved to a stowed position.
 The broken line showing structures, perforations, and internal contours in FIGS. 1, 2, 3, 4, 5, 6, 7, 8, 9, and 10 is included for the purpose of illustrating environmental structure and forms not part of the claimed design.

1 Claim, 10 Drawing Sheets



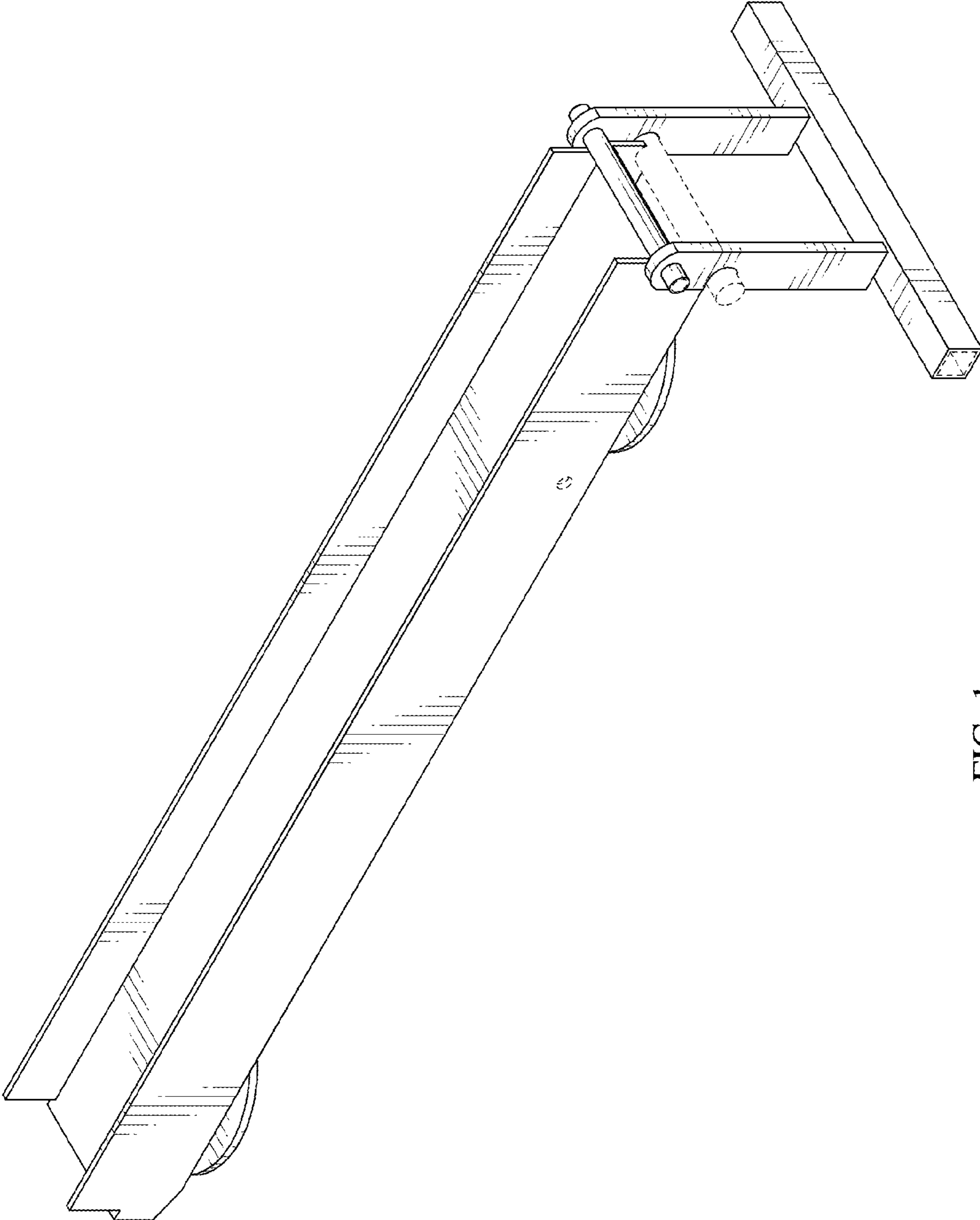


FIG. 1

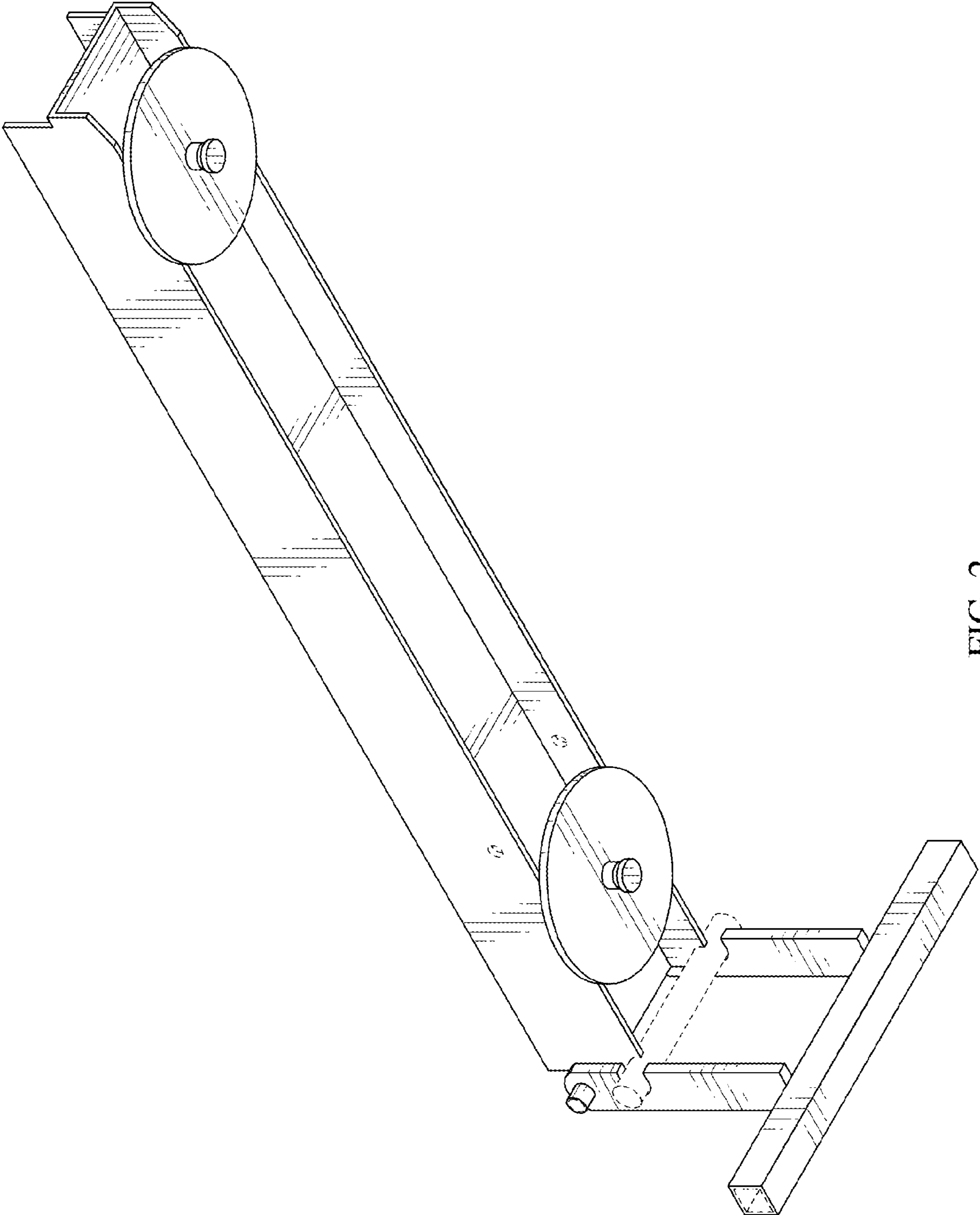


FIG. 2

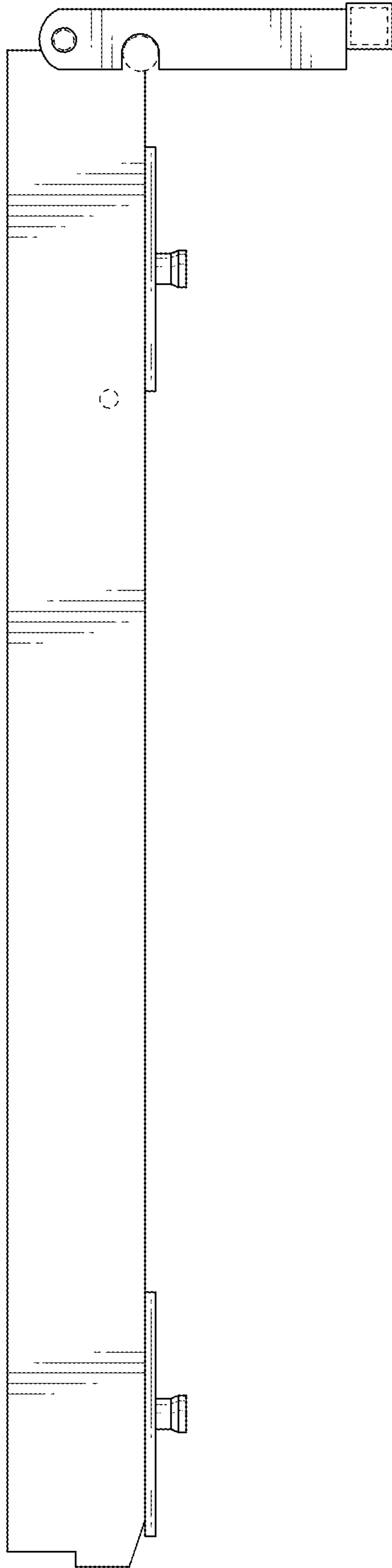


FIG. 3

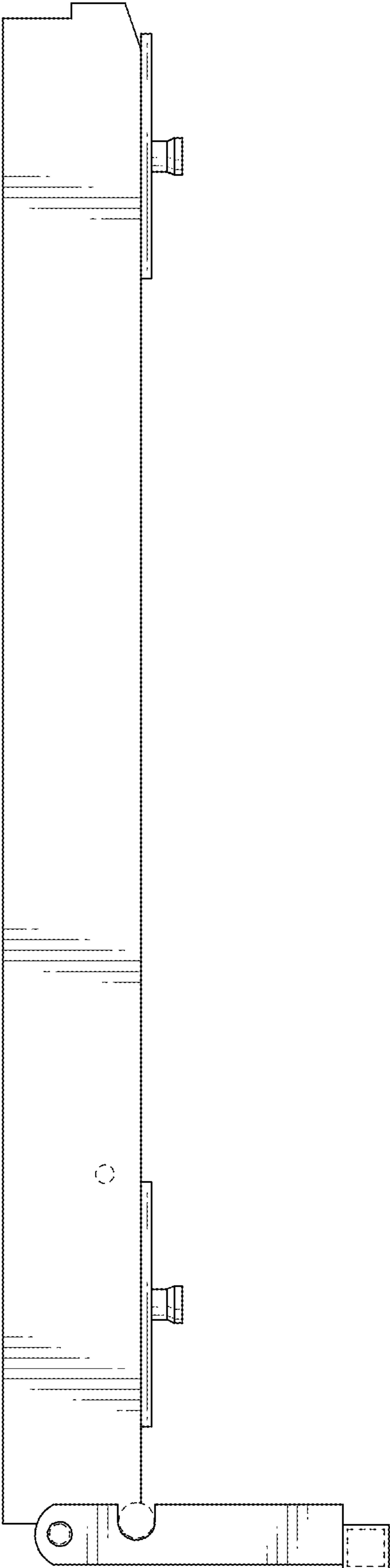


FIG. 4

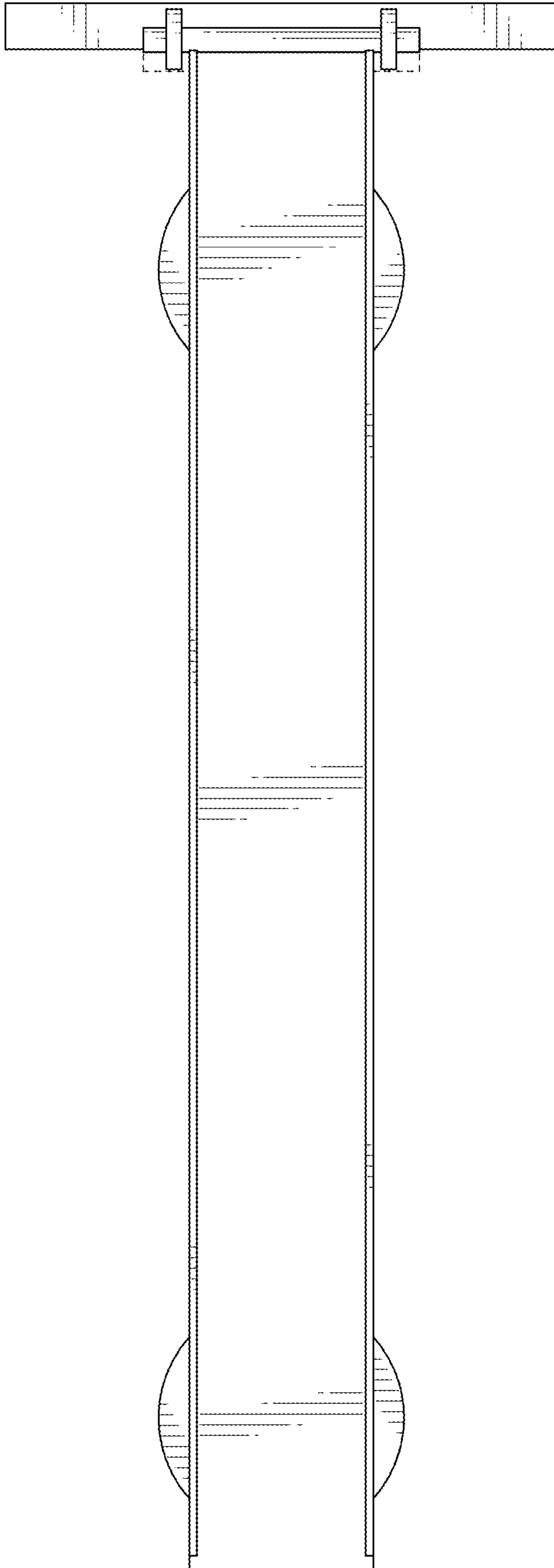


FIG. 5

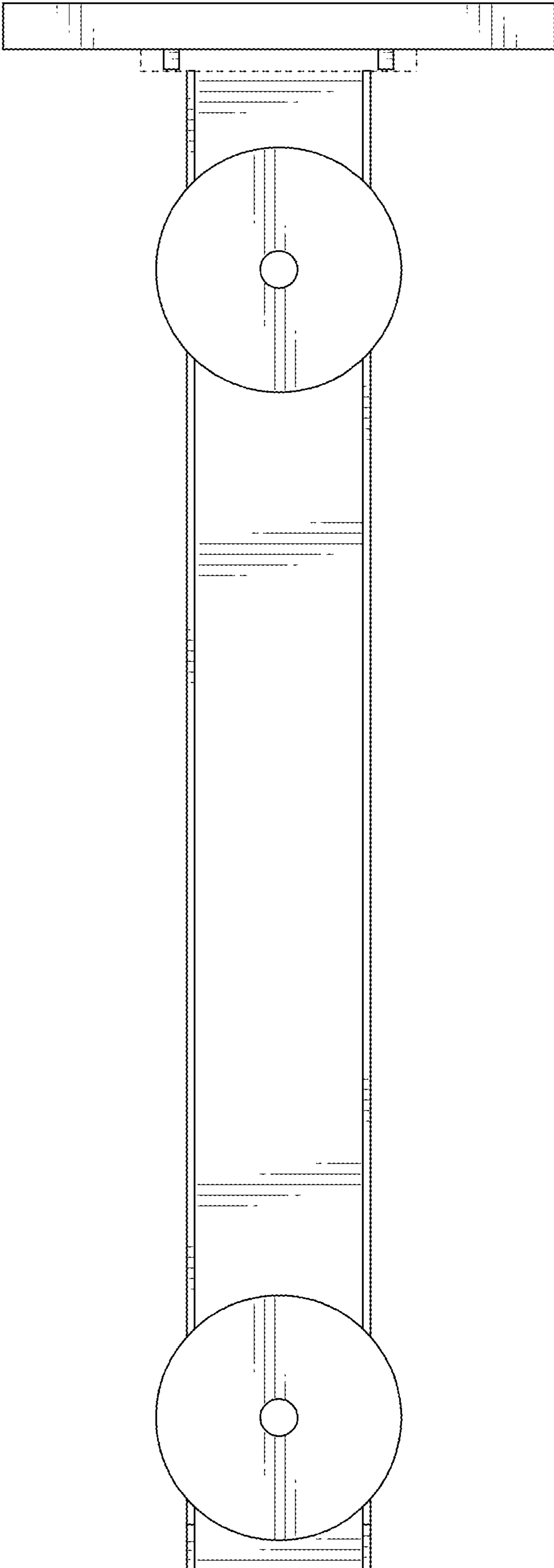


FIG. 6

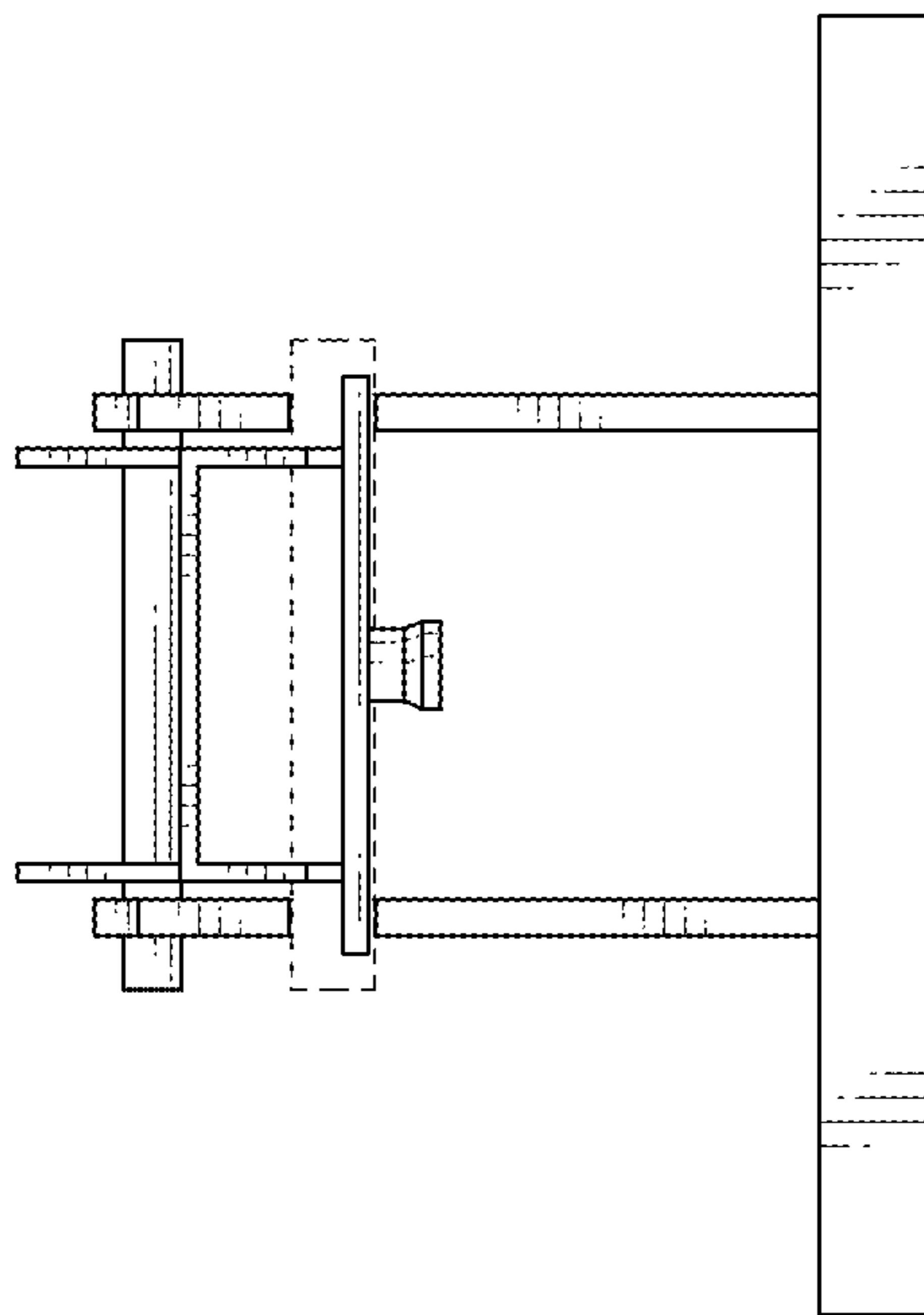


FIG. 7

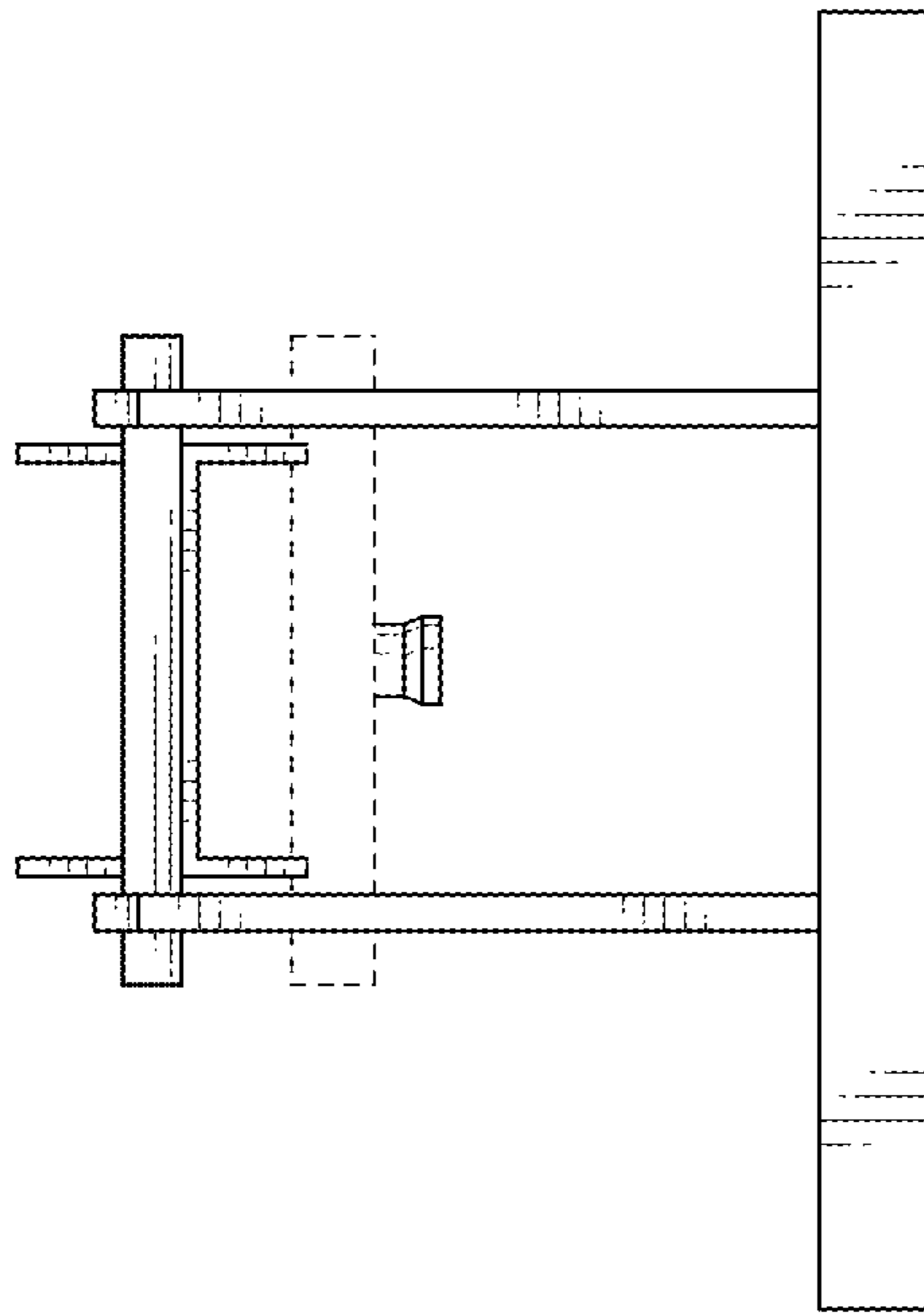


FIG. 8

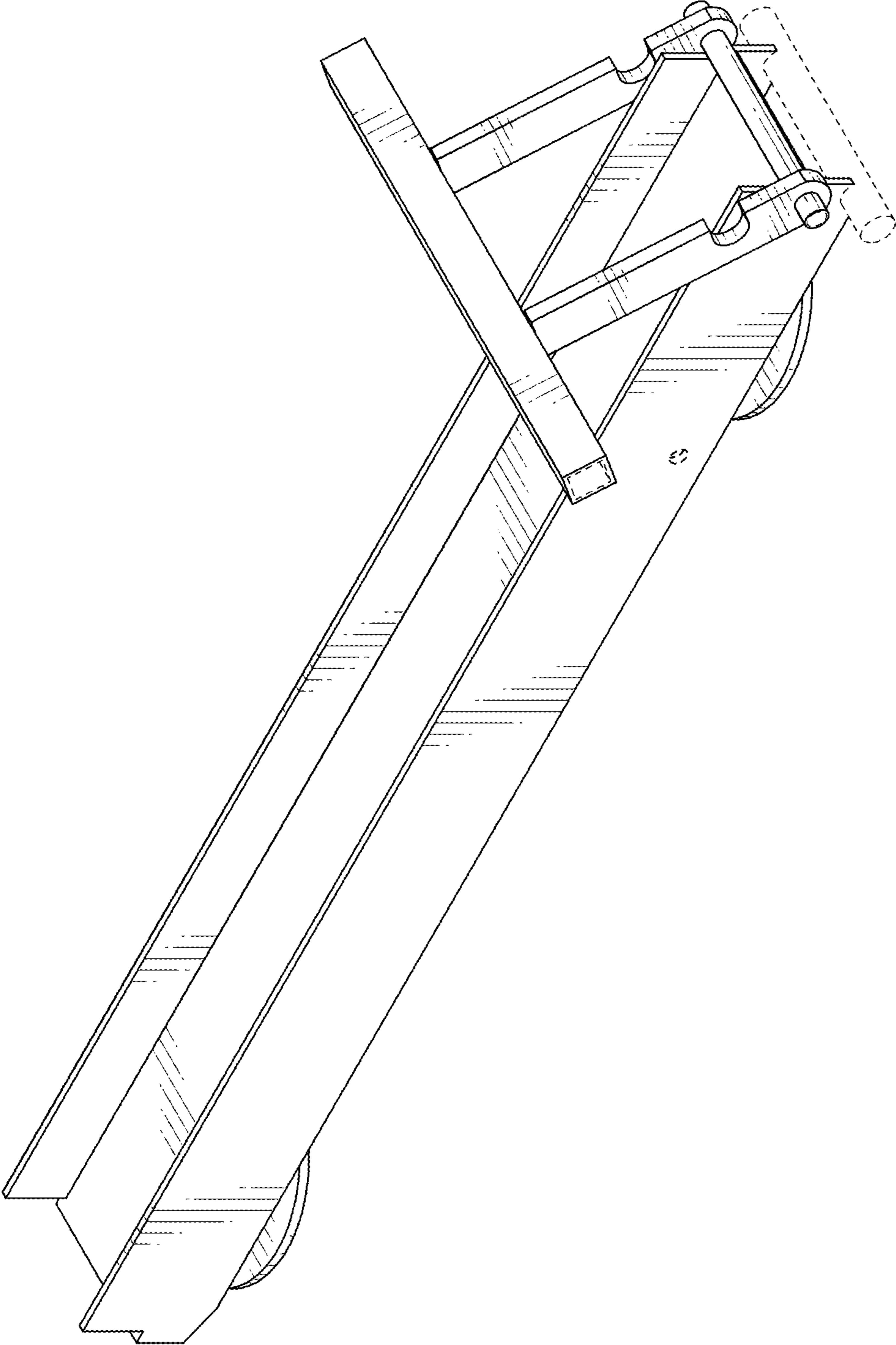


FIG. 9

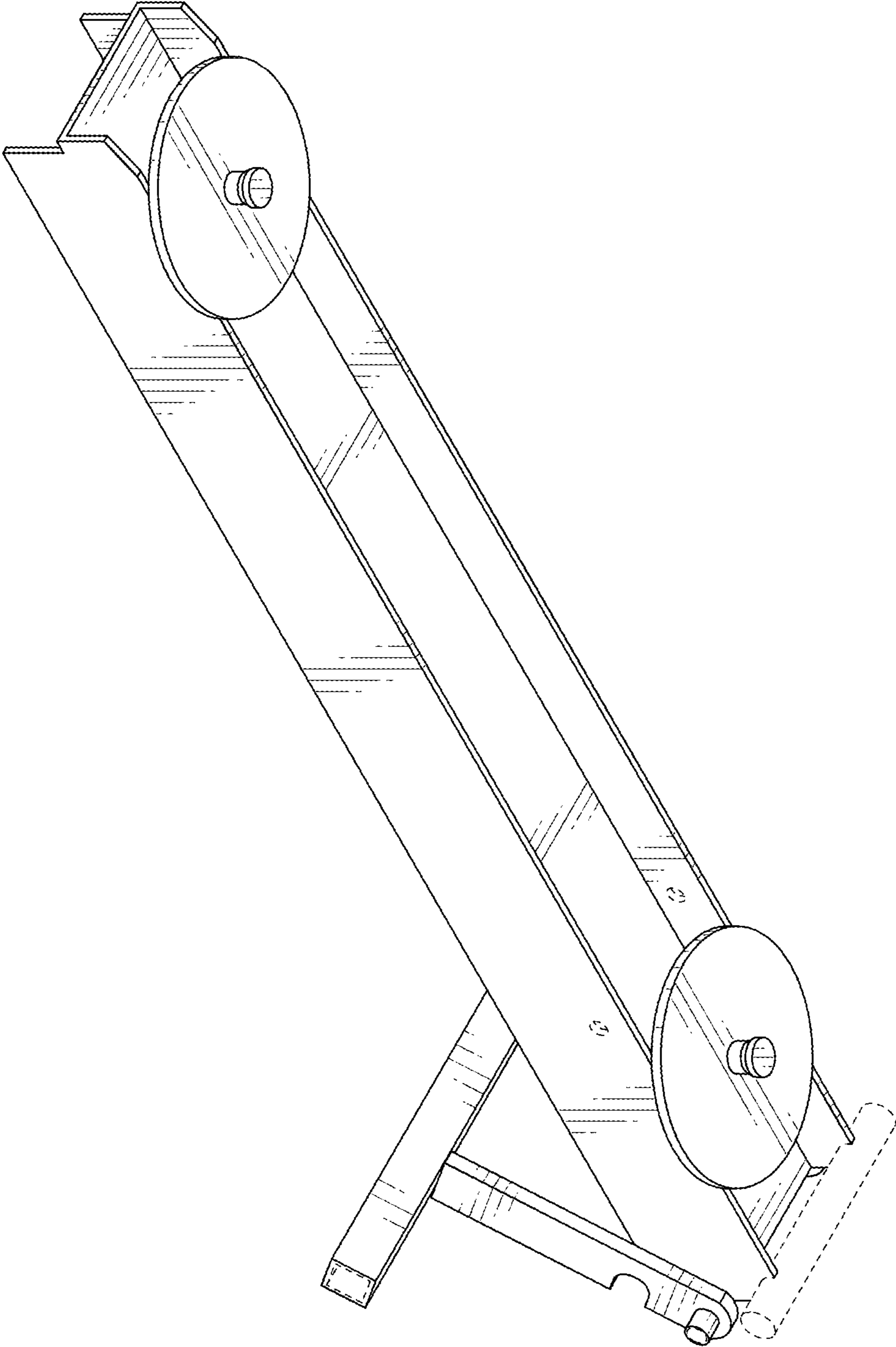


FIG. 10