



US00D875619S

(12) **United States Design Patent** (10) **Patent No.:** **US D875,619 S**
Conley (45) **Date of Patent:** **** Feb. 18, 2020**

(54) **STROLLER ACCESSORY**

- (71) Applicant: **Wow! Brand Building & Trading LLC**, Charlotte, NC (US)
- (72) Inventor: **Robert M. Conley**, Fort Mill, SC (US)
- (73) Assignee: **Zoe Baby Products, LLC**, Charlotte, NC (US)
- (**) Term: **15 Years**
- (21) Appl. No.: **29/687,025**
- (22) Filed: **Apr. 10, 2019**

Related U.S. Application Data

- (62) Division of application No. 29/611,451, filed on Jul. 21, 2017, now Pat. No. Des. 856,198.
- (51) **LOC (12) Cl.** **12-12**
- (52) **U.S. Cl.**
USPC **D12/133; D12/129**
- (58) **Field of Classification Search**
USPC **D12/128–133**

(Continued)

(56) **References Cited**

U.S. PATENT DOCUMENTS

- D375,707 S * 11/1996 Yang D12/129
- D519,422 S * 4/2006 Huang D12/129

(Continued)

Primary Examiner — Charles D Hanson

(74) *Attorney, Agent, or Firm* — Additon, Higgins & Pendleton, P.A.

(57) **CLAIM**

The ornamental design for a stroller accessory, as shown in the accompanying drawings and described above.

DESCRIPTION

FIG. 1 is a front, top, right perspective view of a stroller accessory in an open configuration, in accordance with a first embodiment of the present invention;

FIG. 2 is a rear, bottom, left perspective view of the open stroller accessory of FIG. 1;
 FIG. 3 is a right elevation view of the open stroller accessory of FIG. 1;
 FIG. 4 is a left elevation view of the open stroller accessory of FIG. 1;
 FIG. 5 is a front elevation view of the open stroller accessory of FIG. 1;
 FIG. 6 is a rear elevation view of the open stroller accessory of FIG. 1;
 FIG. 7 is a top plan view of the open stroller accessory of FIG. 1;
 FIG. 8 is a bottom plan view of the open stroller accessory of FIG. 1;
 FIG. 9 is a front, top, right perspective view of the stroller accessory of FIG. 1 in a collapsed configuration, in accordance with the first embodiment;
 FIG. 10 is a right elevation view of the collapsed stroller accessory of FIG. 9;
 FIG. 11 is a left elevation view of the collapsed stroller accessory of FIG. 9;
 FIG. 12 is a front elevation view of the collapsed stroller accessory of FIG. 9;
 FIG. 13 is a rear elevation view of the collapsed stroller accessory of FIG. 9;
 FIG. 14 is a top plan view of the collapsed stroller accessory of FIG. 9;
 FIG. 15 is a bottom plan view of the collapsed stroller accessory of FIG. 9;
 FIG. 16 is a front, top, right perspective view of a stroller accessory in accordance with a second embodiment of the present invention;
 FIG. 17 is a rear, bottom, left perspective view of the stroller accessory of FIG. 16;
 FIG. 18 is a right elevation view of the stroller accessory of FIG. 16;
 FIG. 19 is a left elevation view of the stroller accessory of FIG. 16;
 FIG. 20 is a front elevation view of the stroller accessory of FIG. 16;
 FIG. 21 is a rear elevation view of the stroller accessory of FIG. 16;
 FIG. 22 is a top plan view of the stroller accessory of FIG. 16; and,

(Continued)

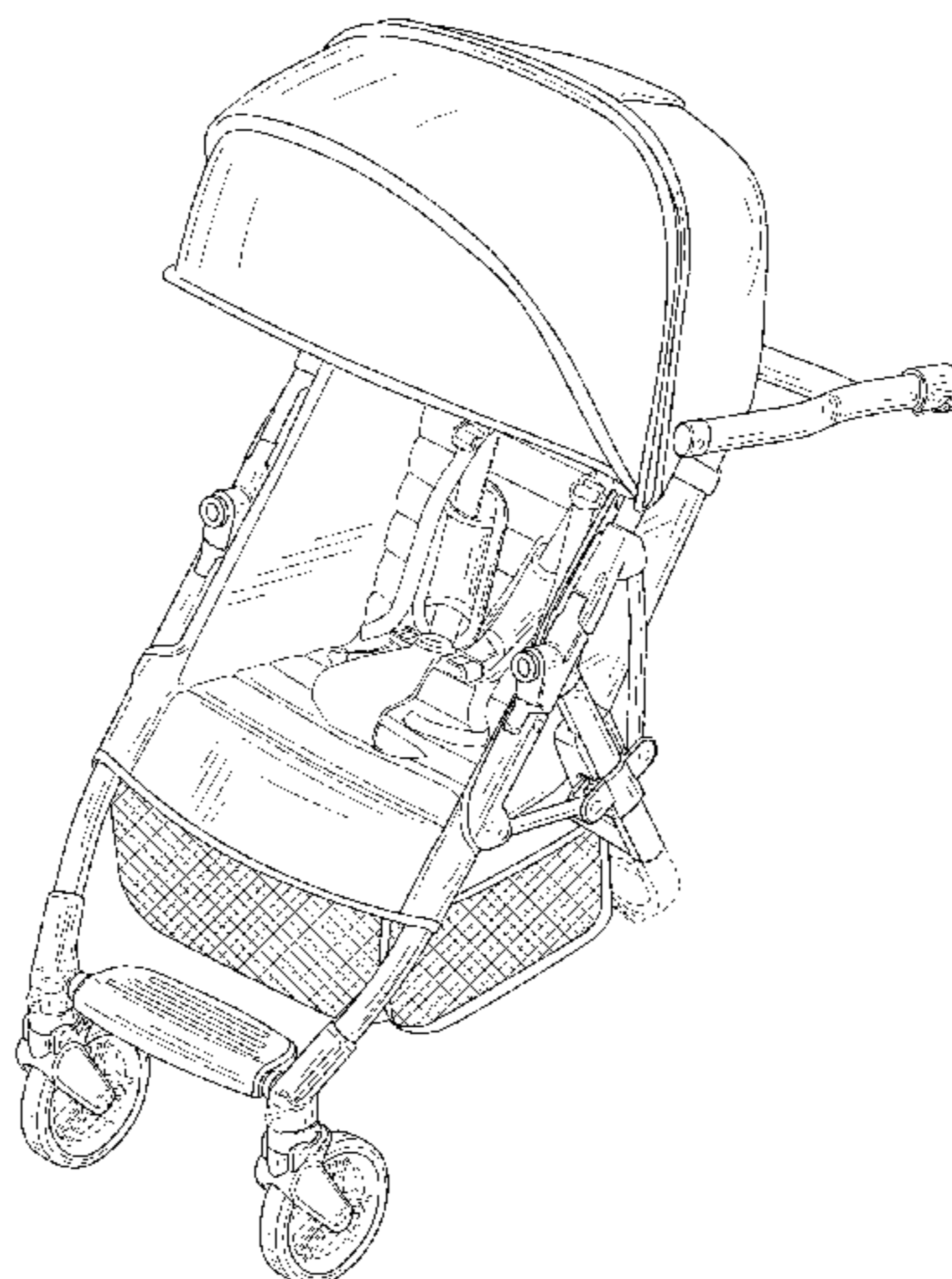


FIG. 23 is a bottom plan view of the stroller accessory of FIG. 16.

The broken lines shown herein are for illustrative purposes and form no part of the claimed design. For example, the broken lines in the form of an alternating series of relatively short dashes and relatively long dashes represent bounds of the claimed design.

1 Claim, 23 Drawing Sheets

(58) **Field of Classification Search**

CPC B62B 7/00-04; B62B 9/00-28

See application file for complete search history.

(56) **References Cited**

U.S. PATENT DOCUMENTS

7,267,359	B1 *	9/2007	Yang	B62B 7/08 280/47.34
7,364,171	B2 *	4/2008	Hu	B60B 1/006 280/47.38
D578,044	S *	10/2008	Chen	D12/129
D596,996	S *	7/2009	Yang	D12/129
D621,306	S *	8/2010	Liao	D12/129
D643,343	S *	8/2011	Song	D12/129
D661,624	S *	6/2012	Stopp	D12/129
D672,692	S *	12/2012	Jane Santamaria	D12/129
D677,605	S *	3/2013	Ide	D12/129
D856,198	S	8/2019	Conley		
2003/0111825	A1 *	6/2003	Lo	B62B 7/145 280/642
2005/0098982	A1 *	5/2005	Huang	B62B 7/08 280/642

* cited by examiner

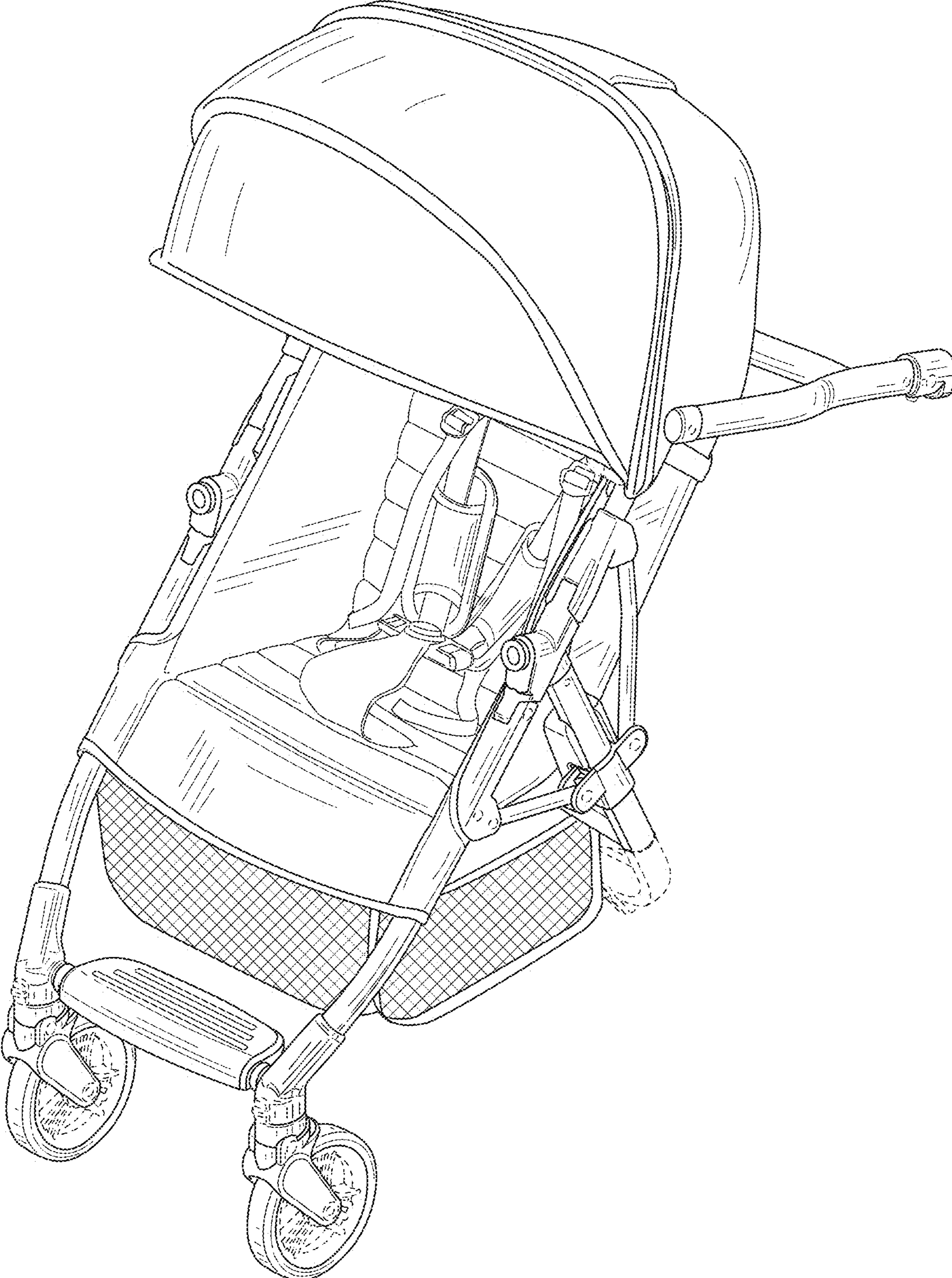


FIG. 1

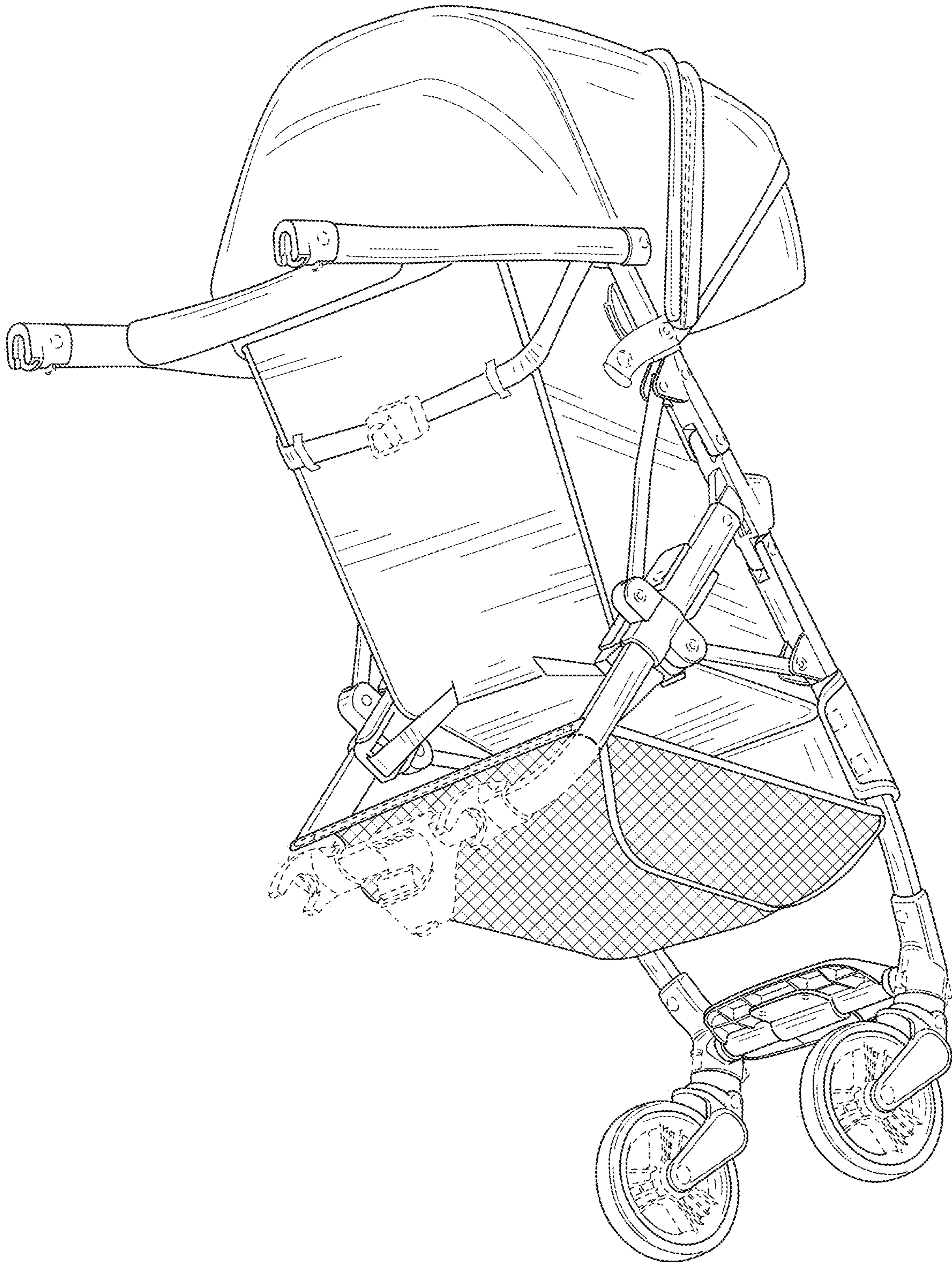


FIG. 2

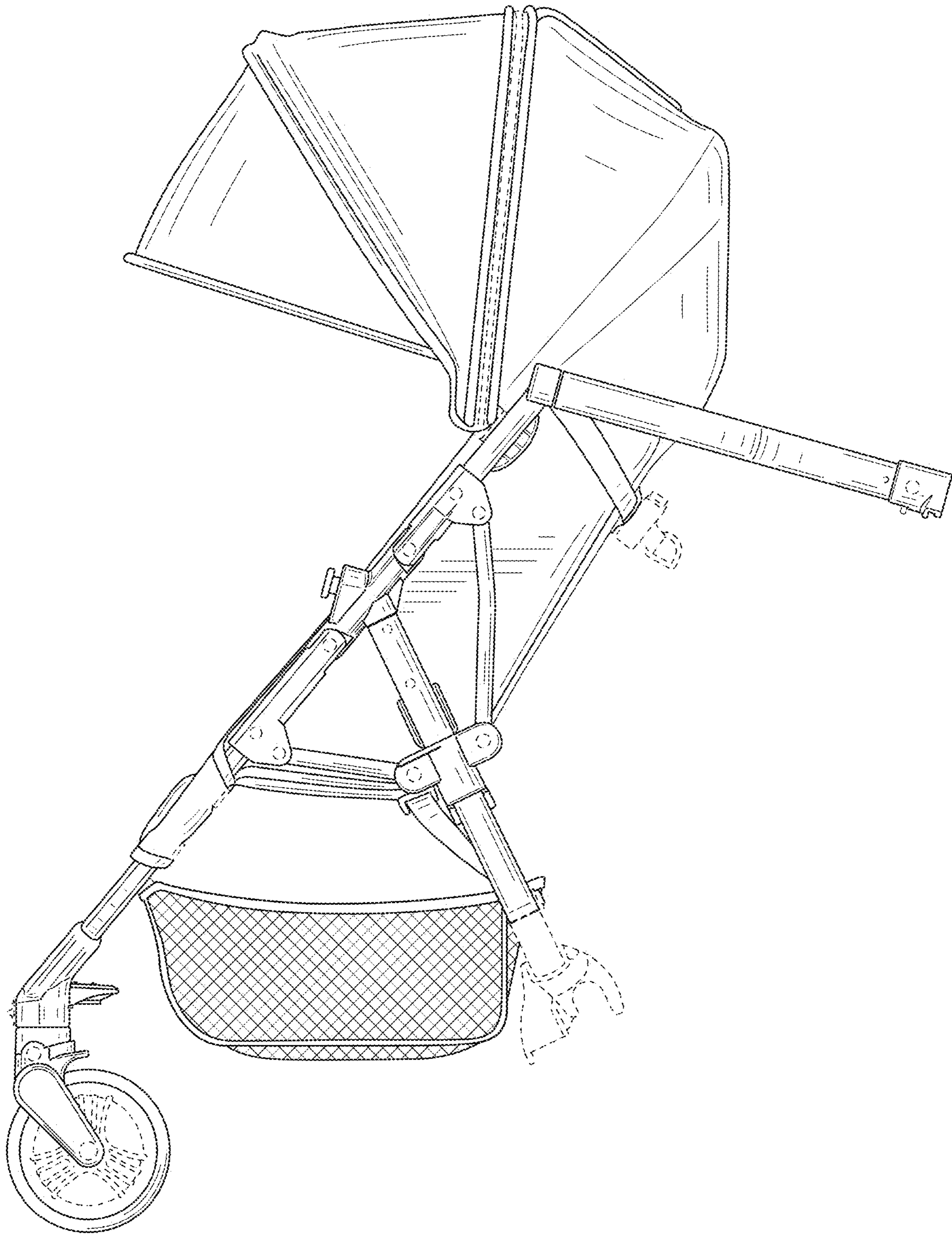


FIG. 3

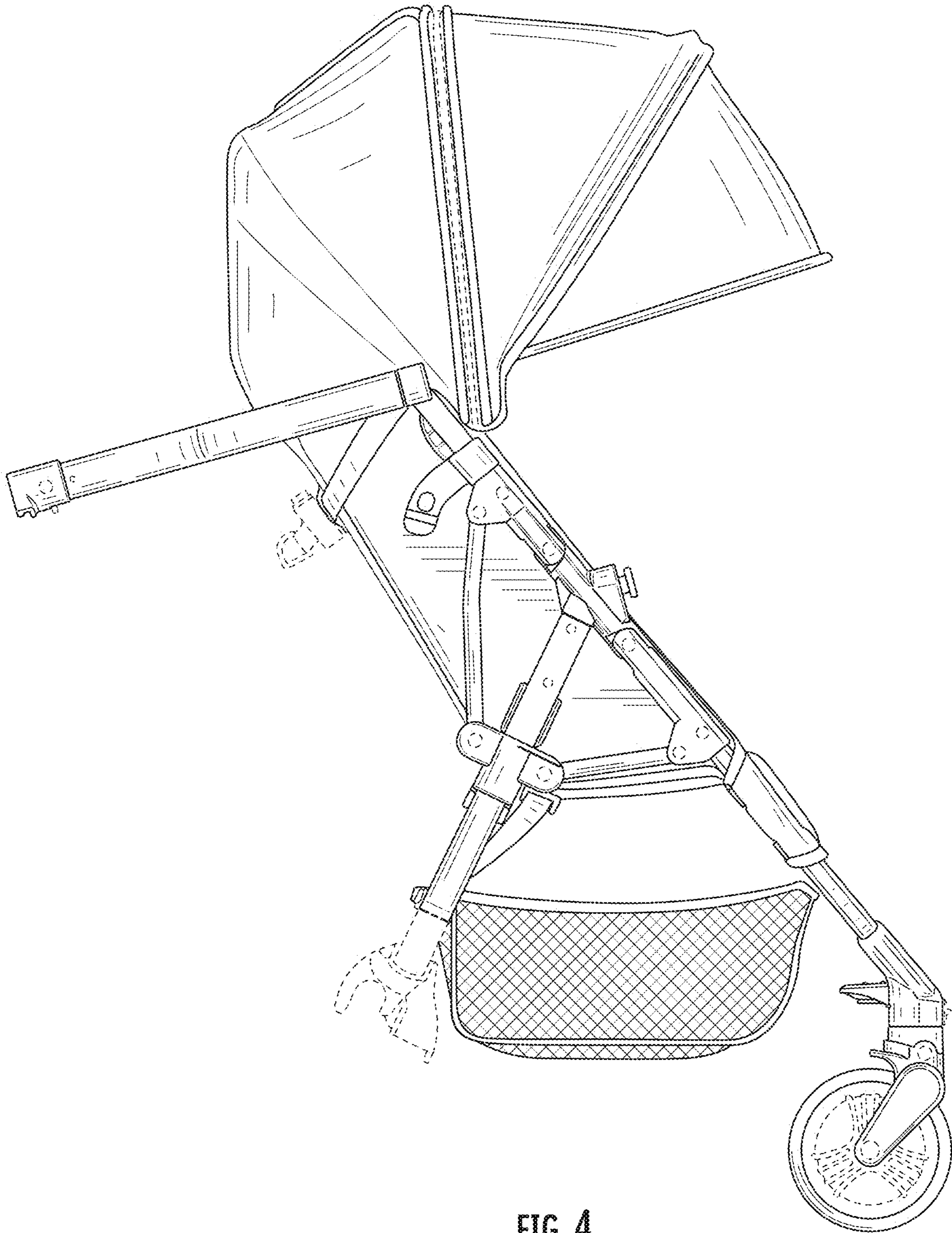


FIG. 4

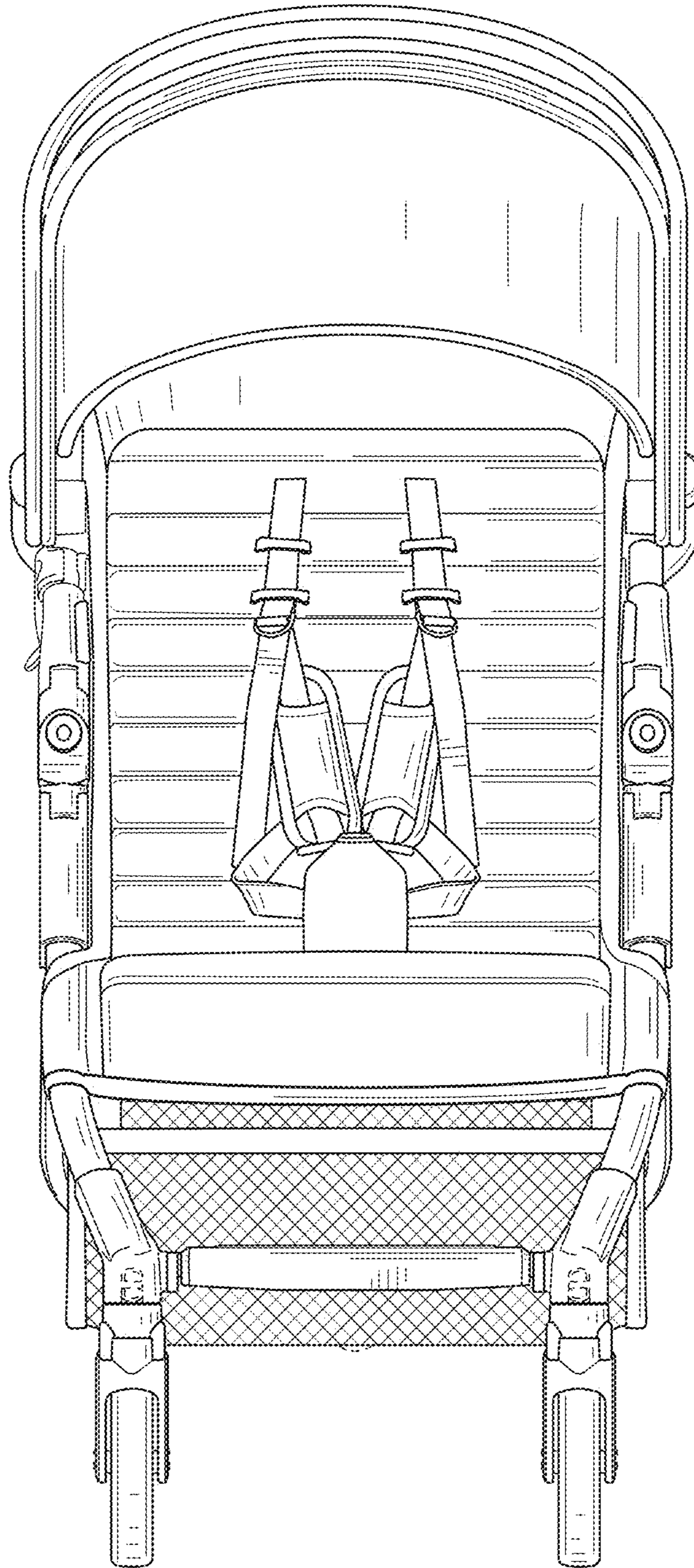


FIG. 5

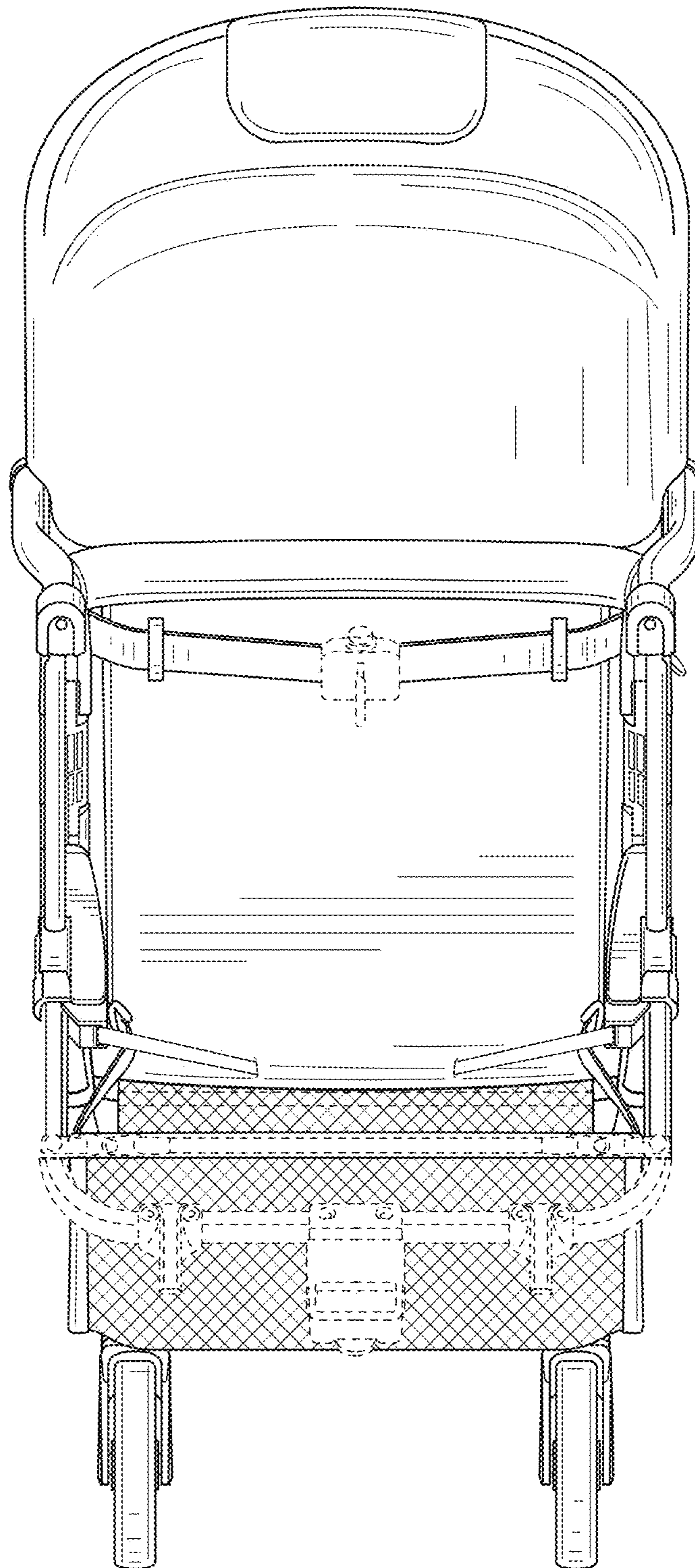


FIG. 6

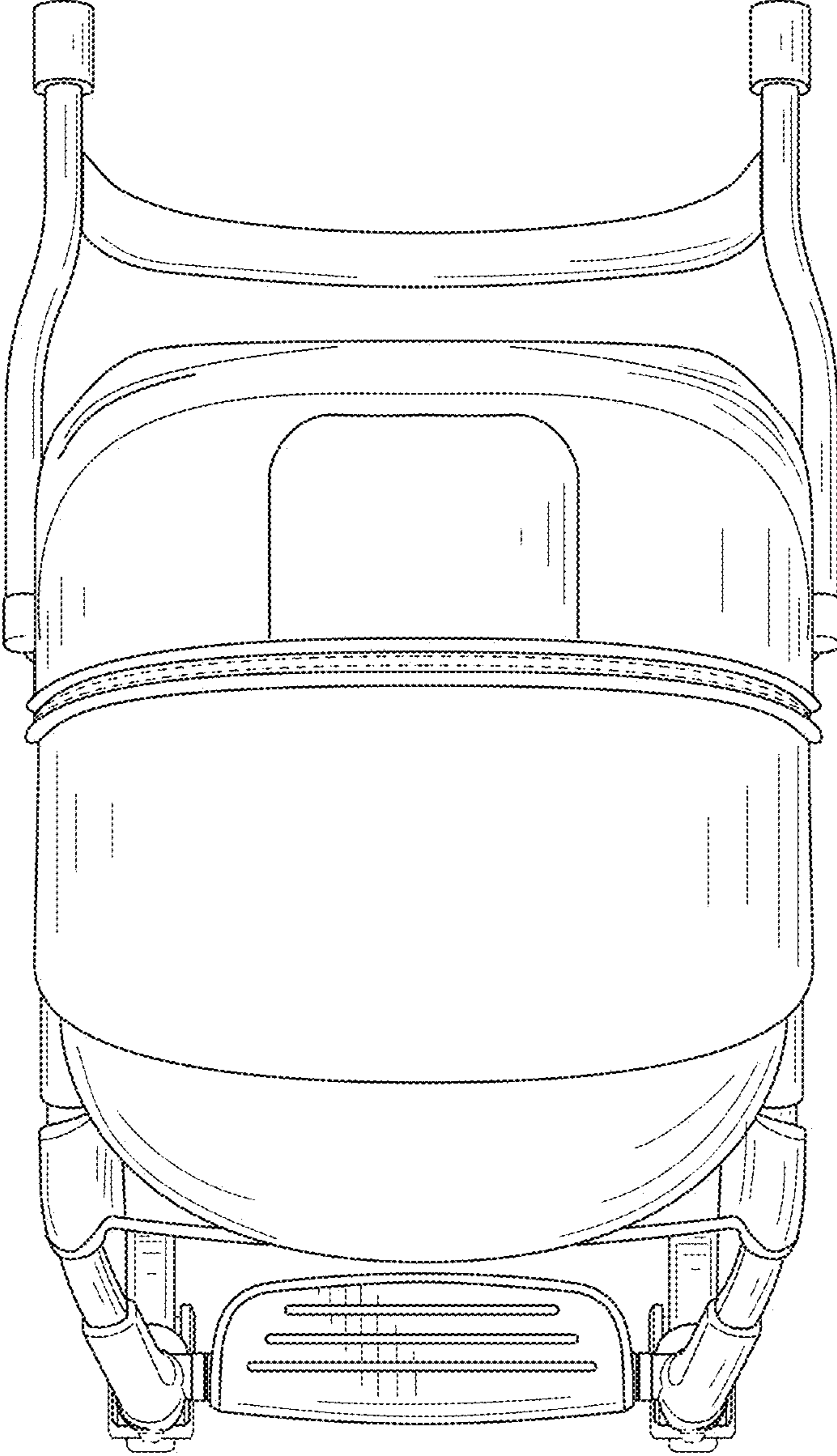


FIG. 7

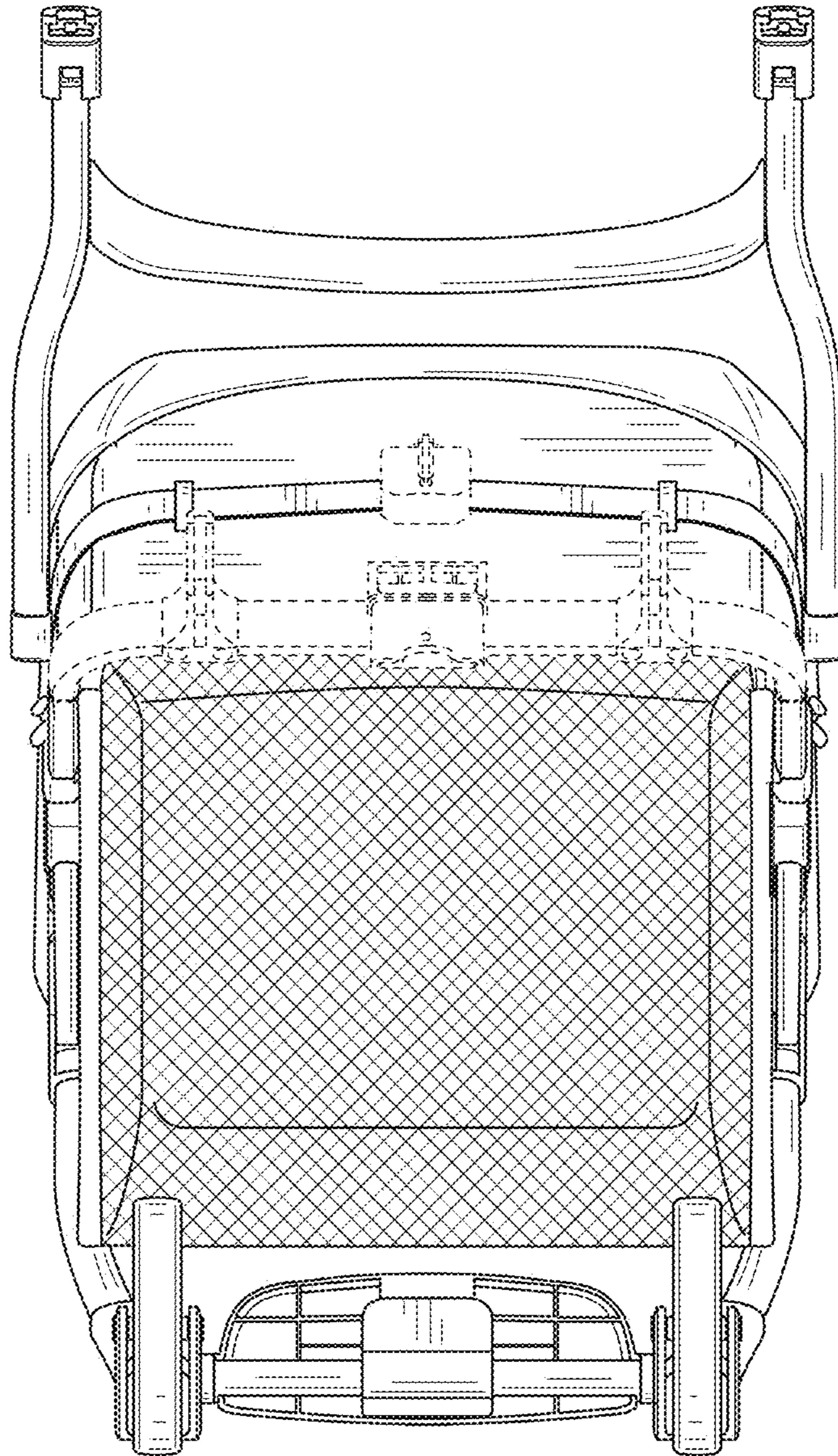


FIG. 8

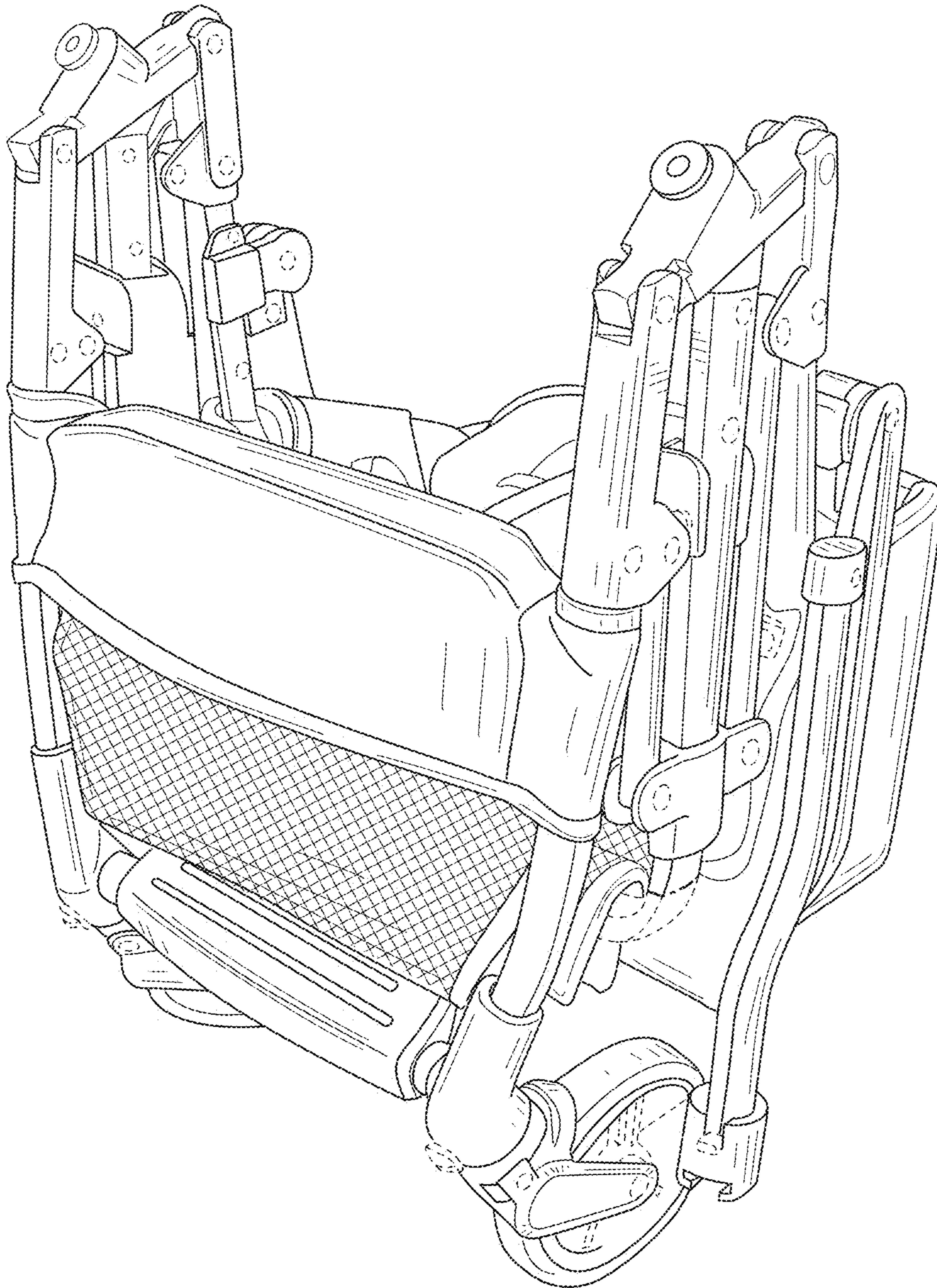


FIG. 9

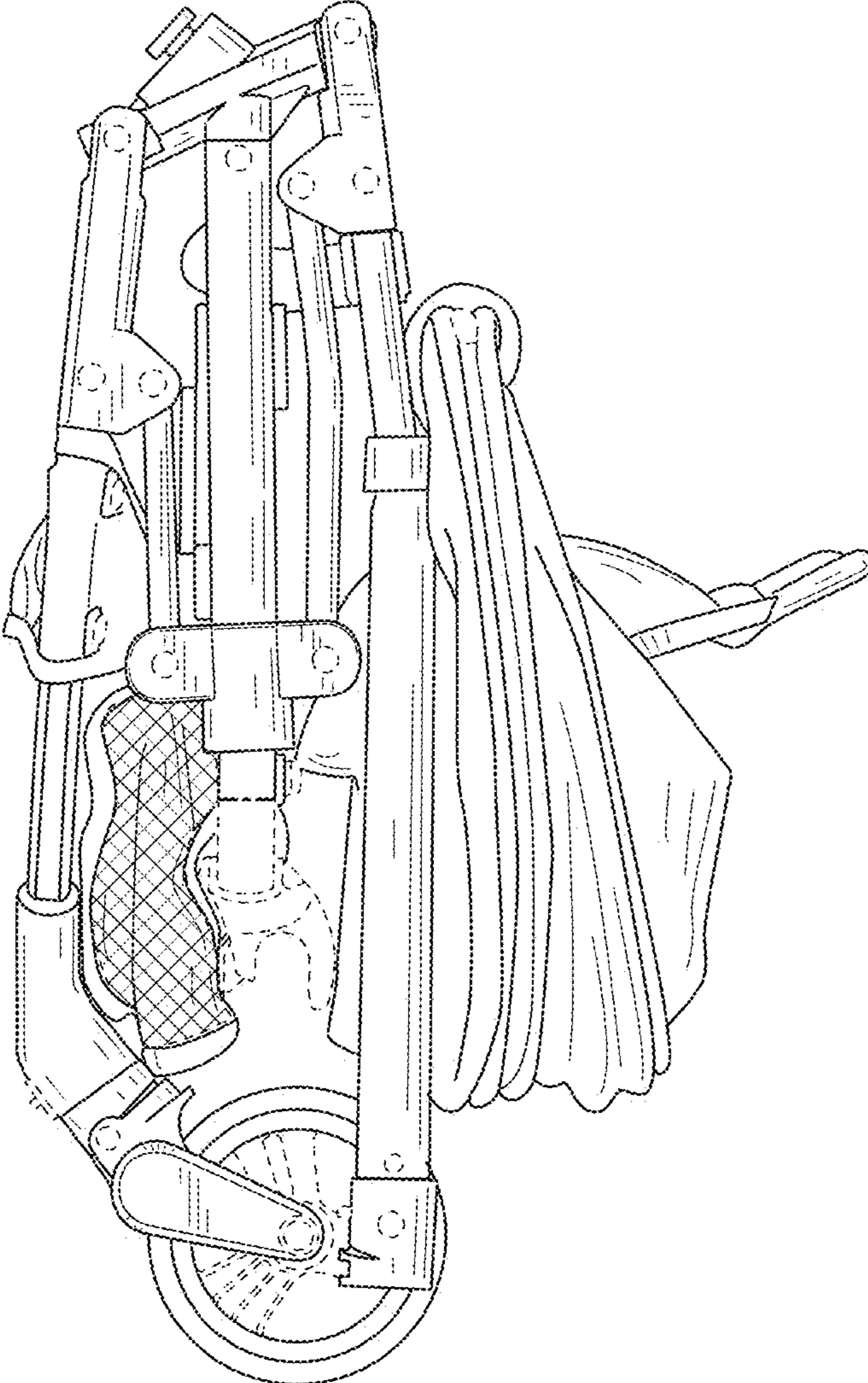


FIG. 10

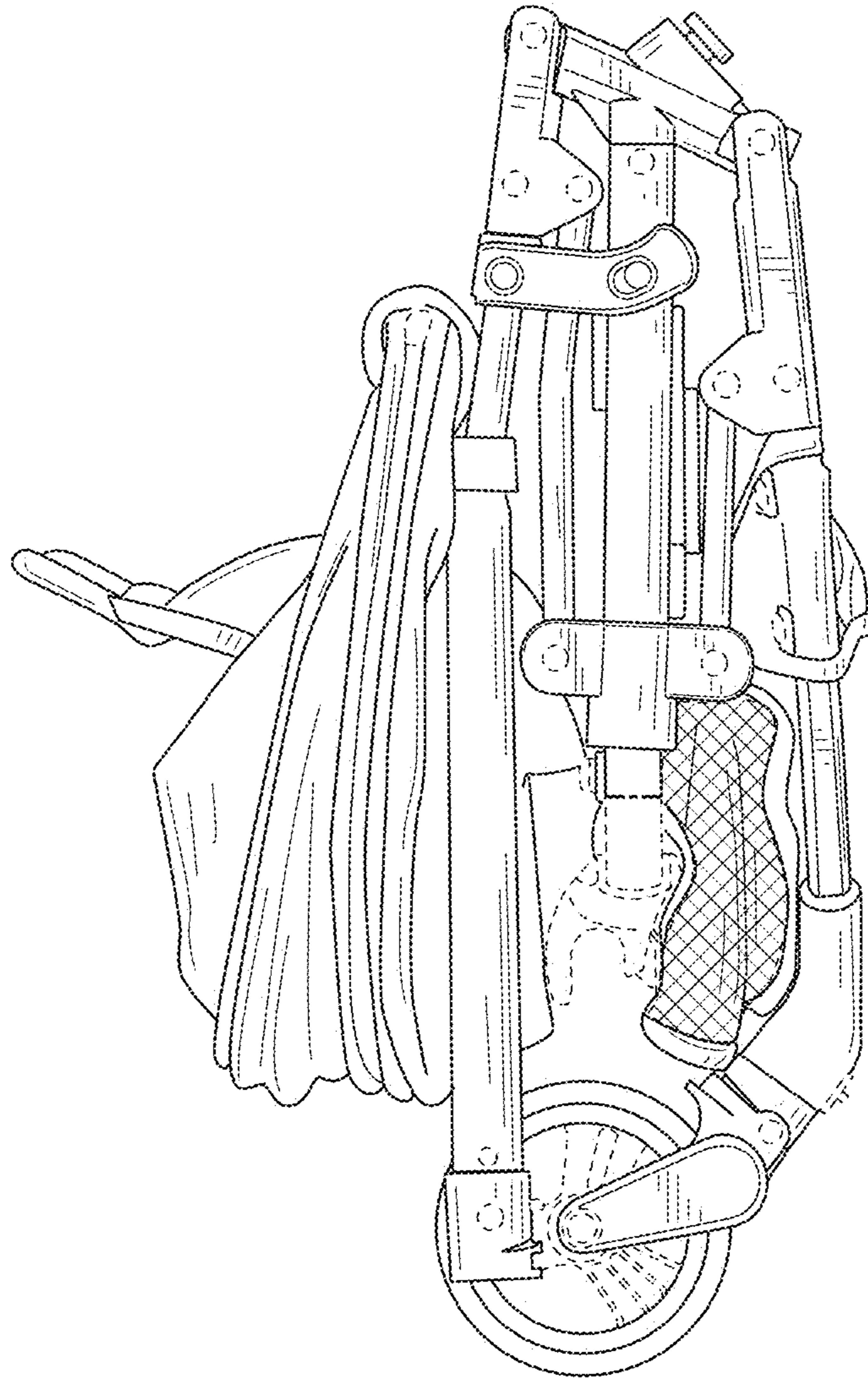


FIG. 11

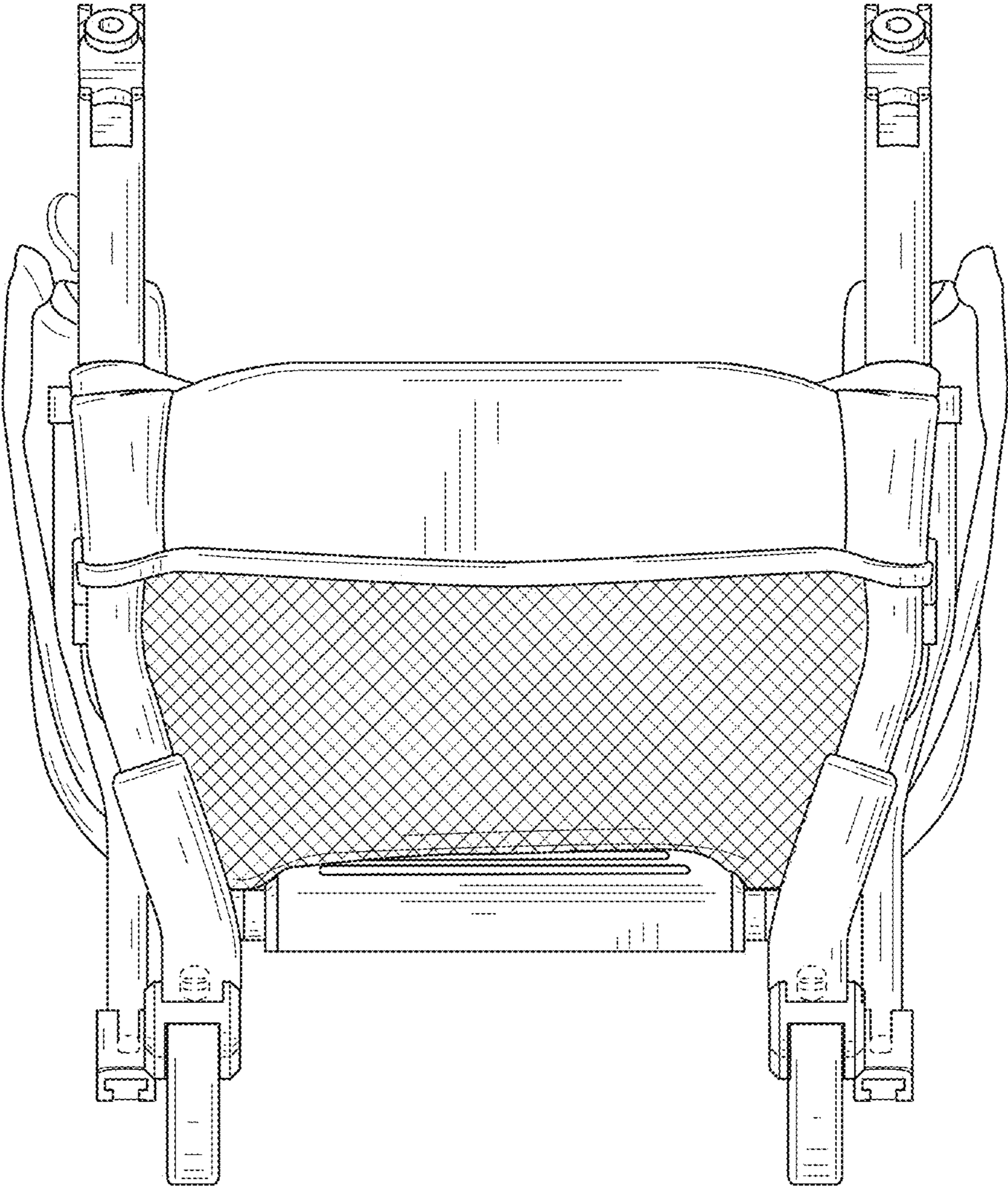


FIG. 12

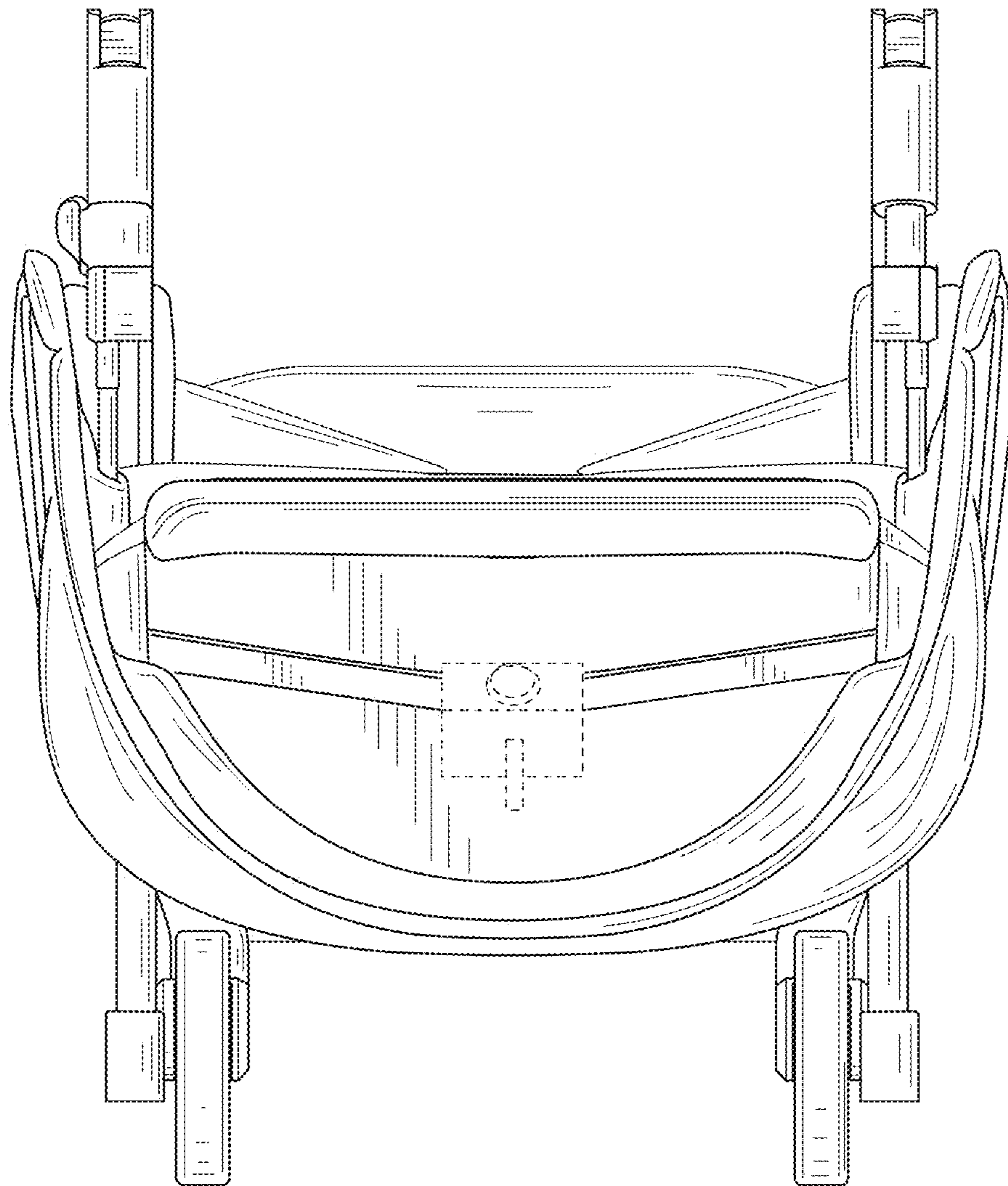


FIG. 13

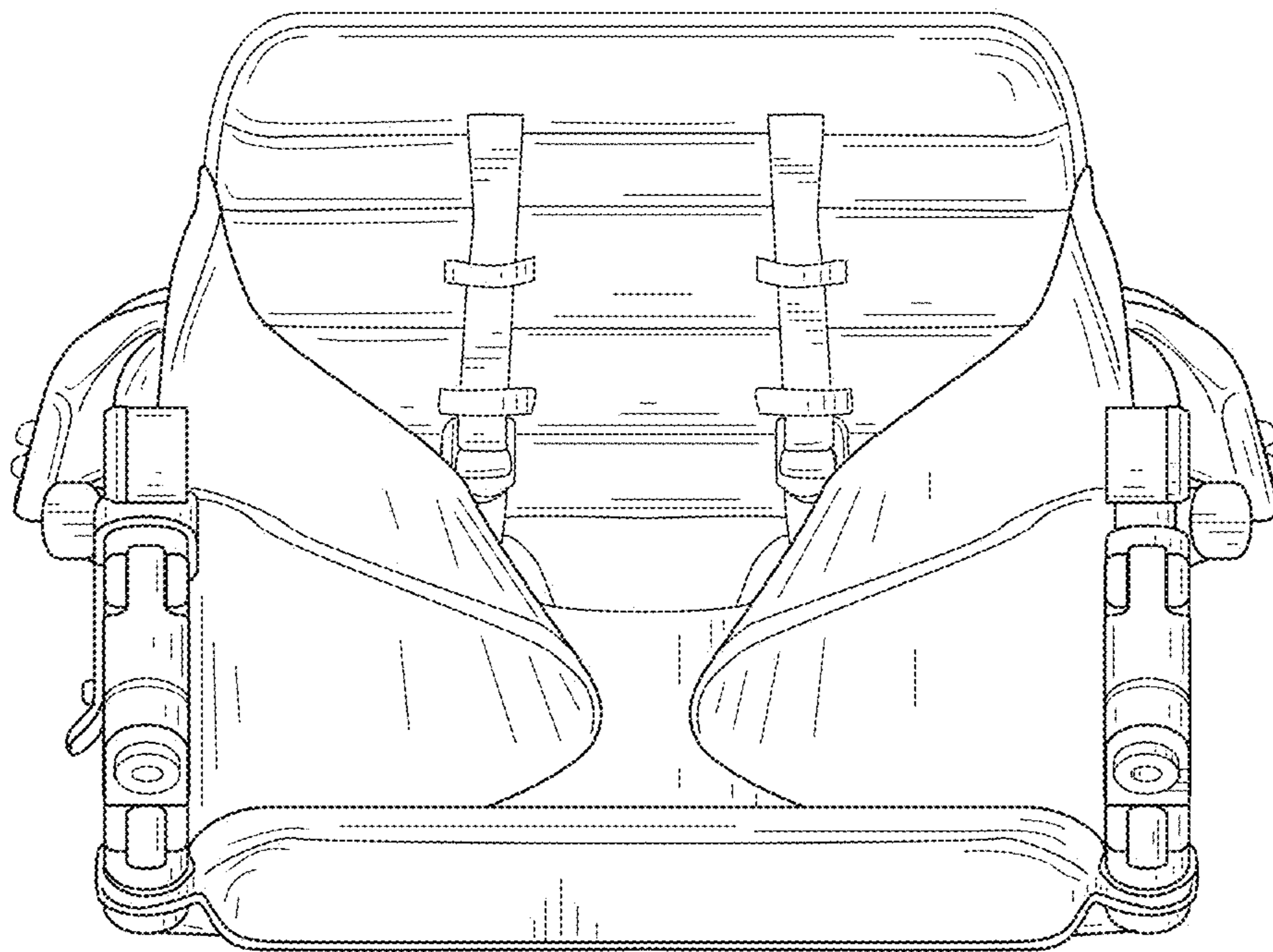


FIG. 14

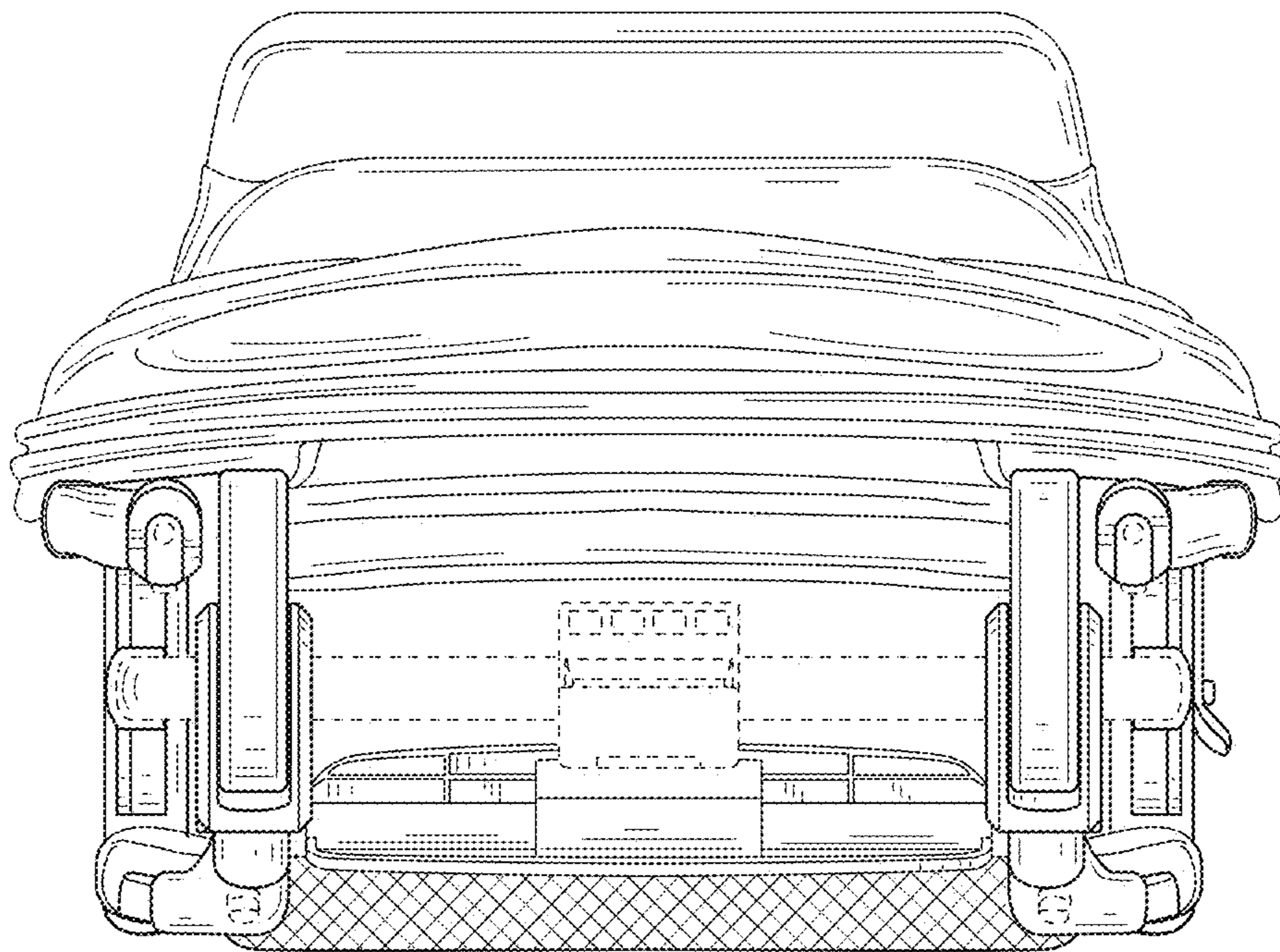


FIG. 15

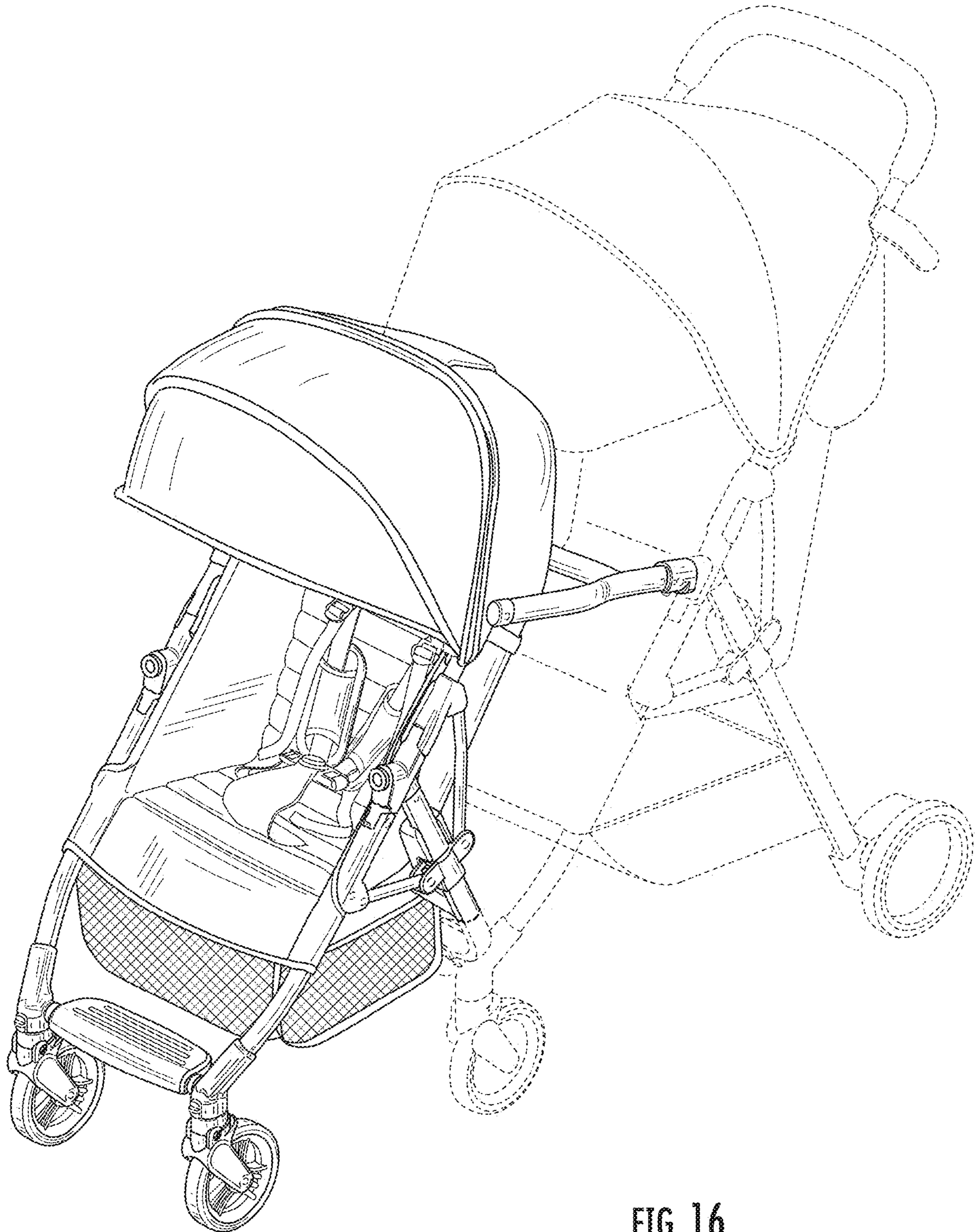


FIG. 16

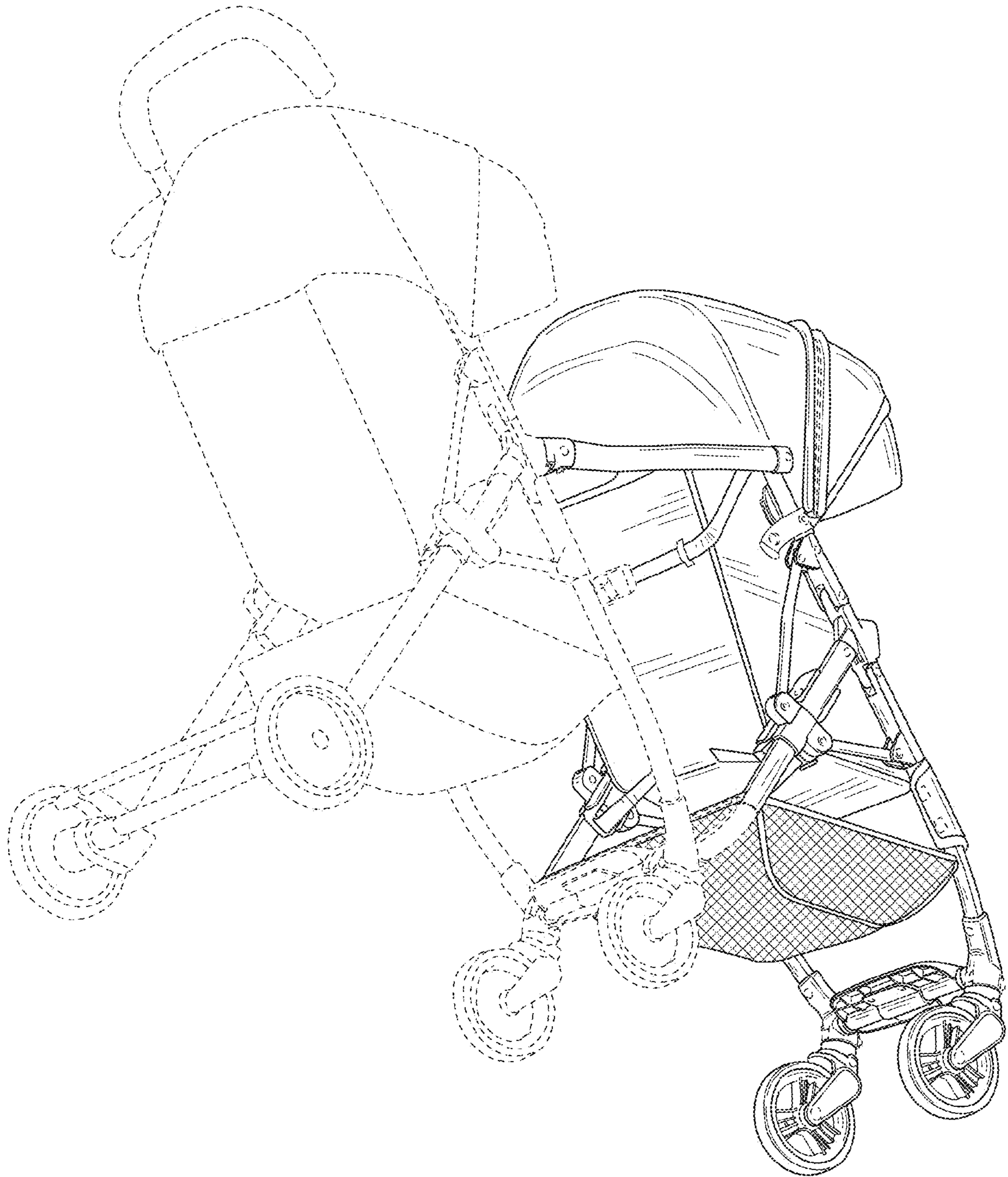


FIG. 17

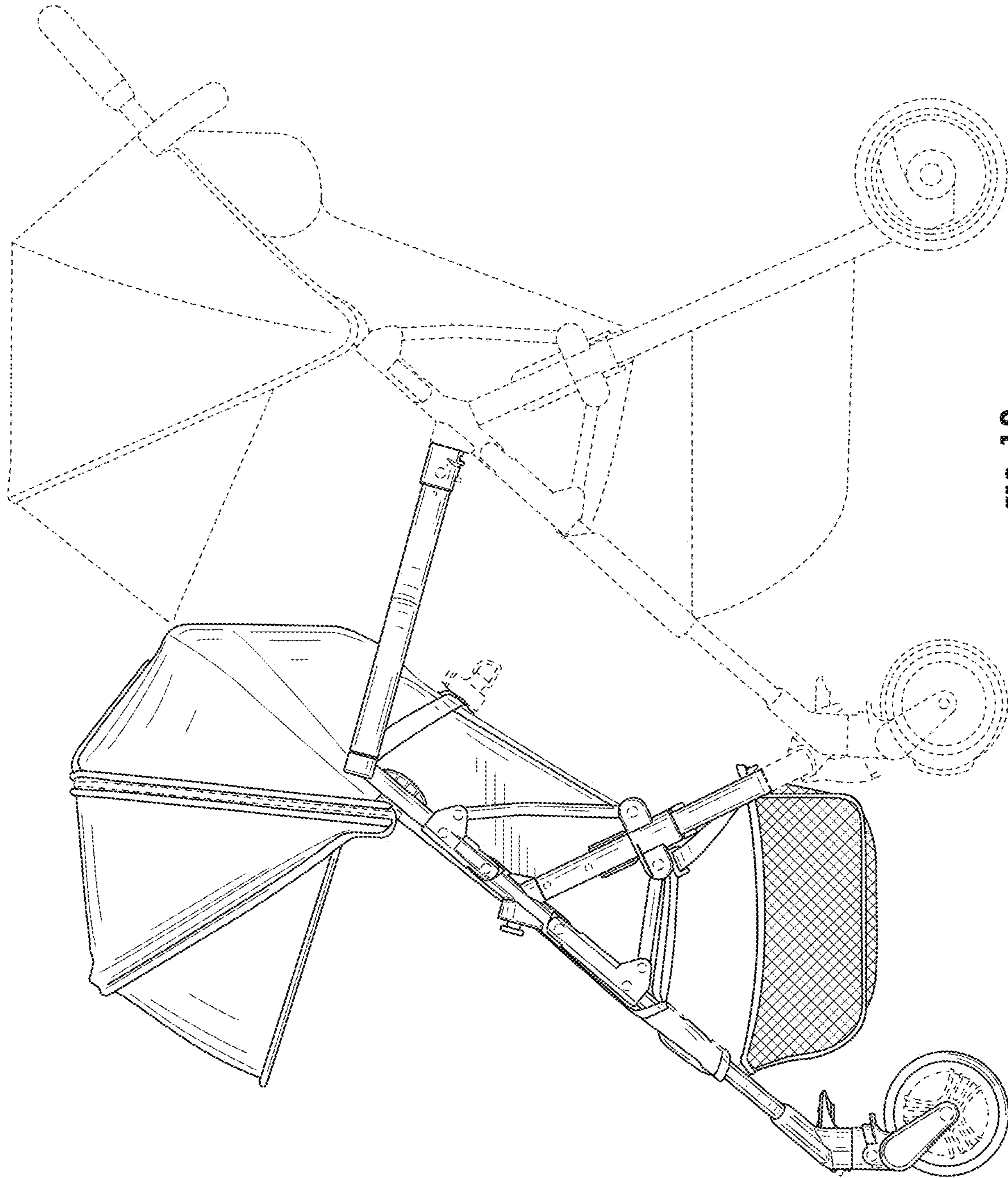


FIG. 18

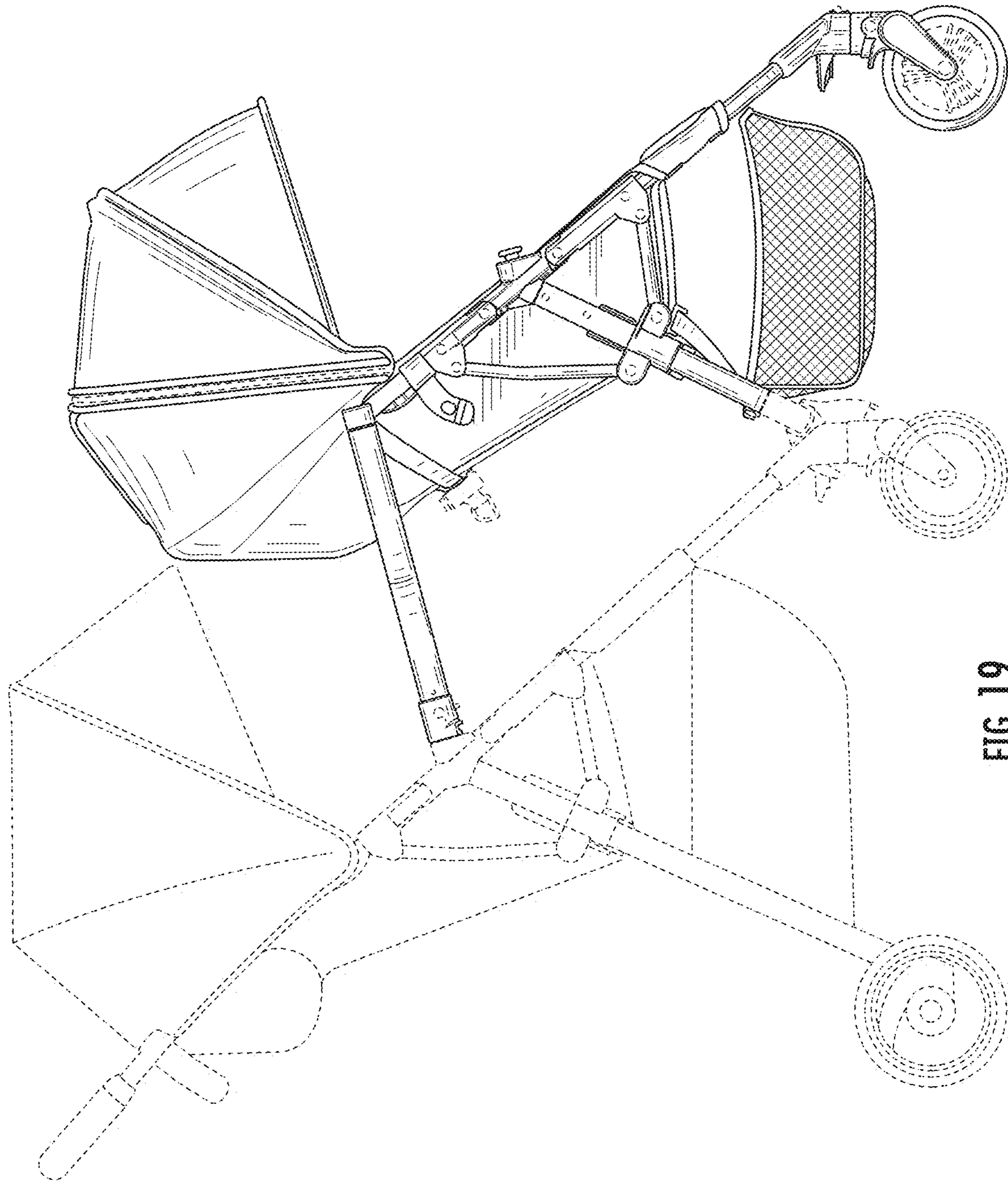


FIG. 19

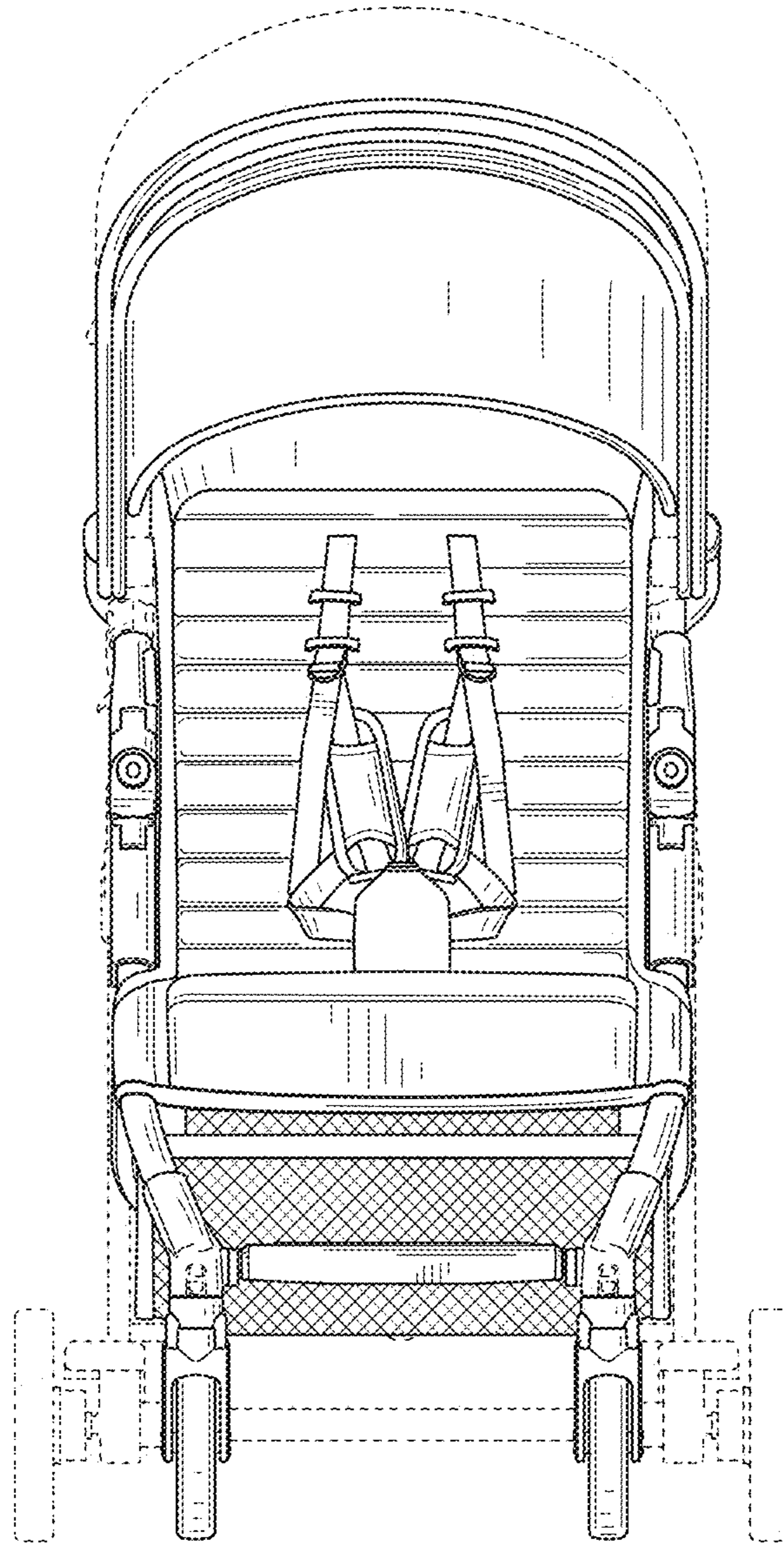


FIG. 20

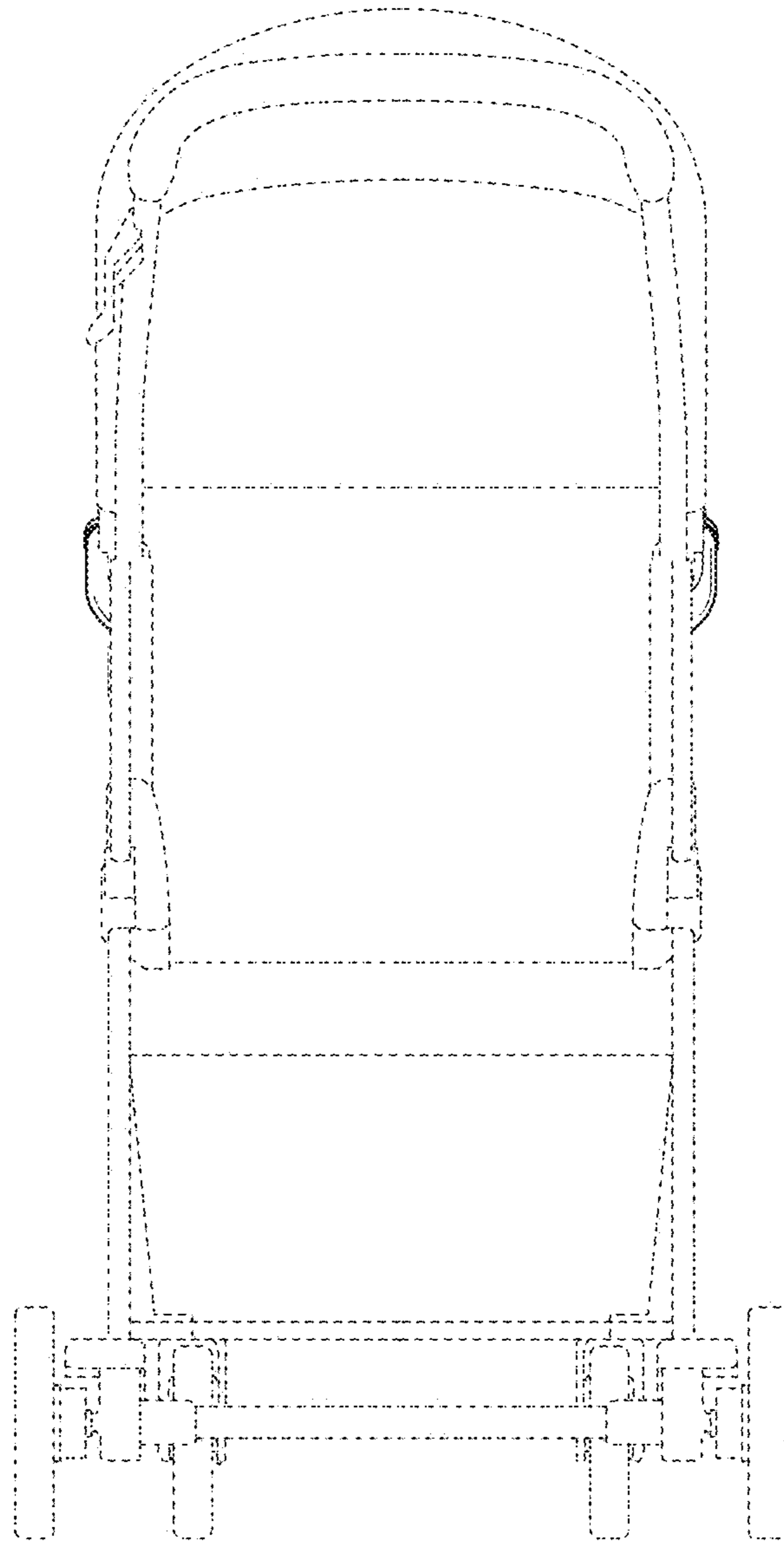


FIG. 21

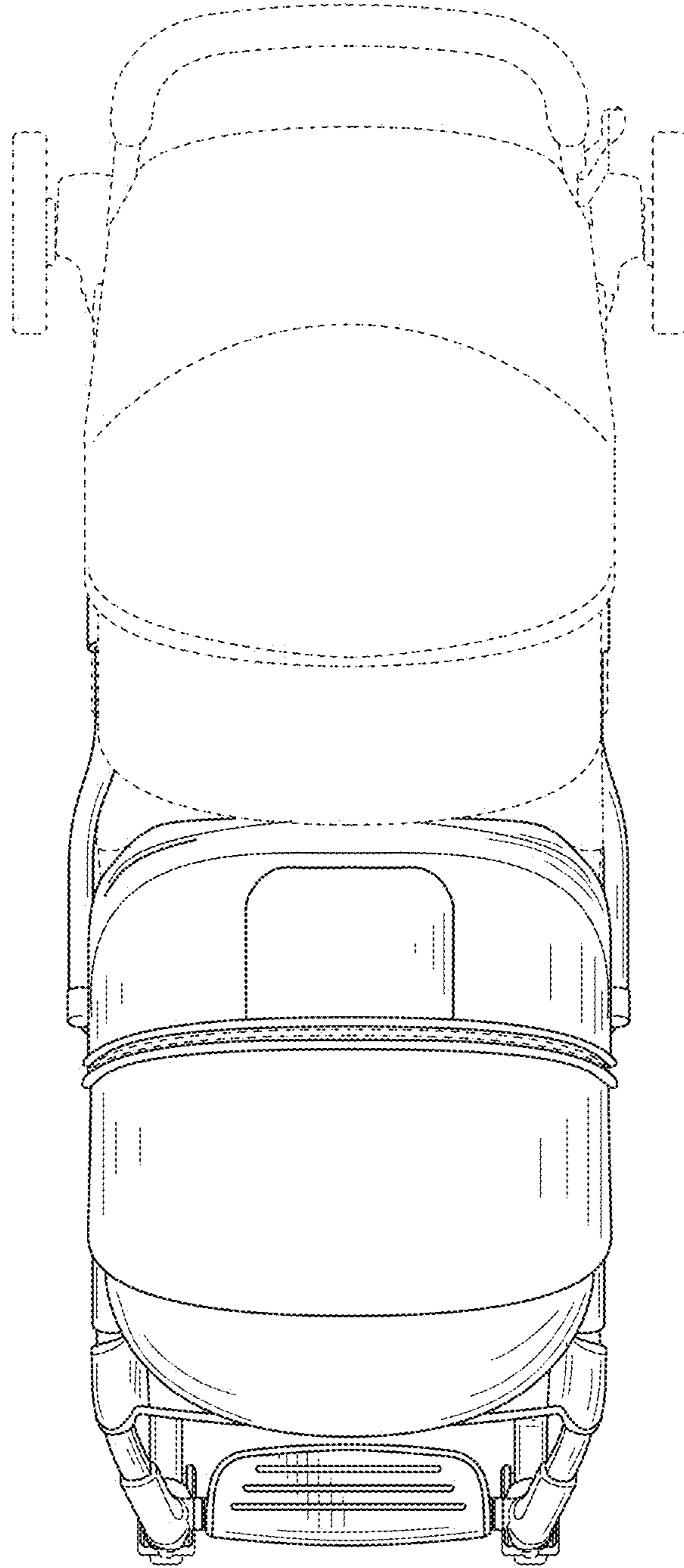


FIG. 22

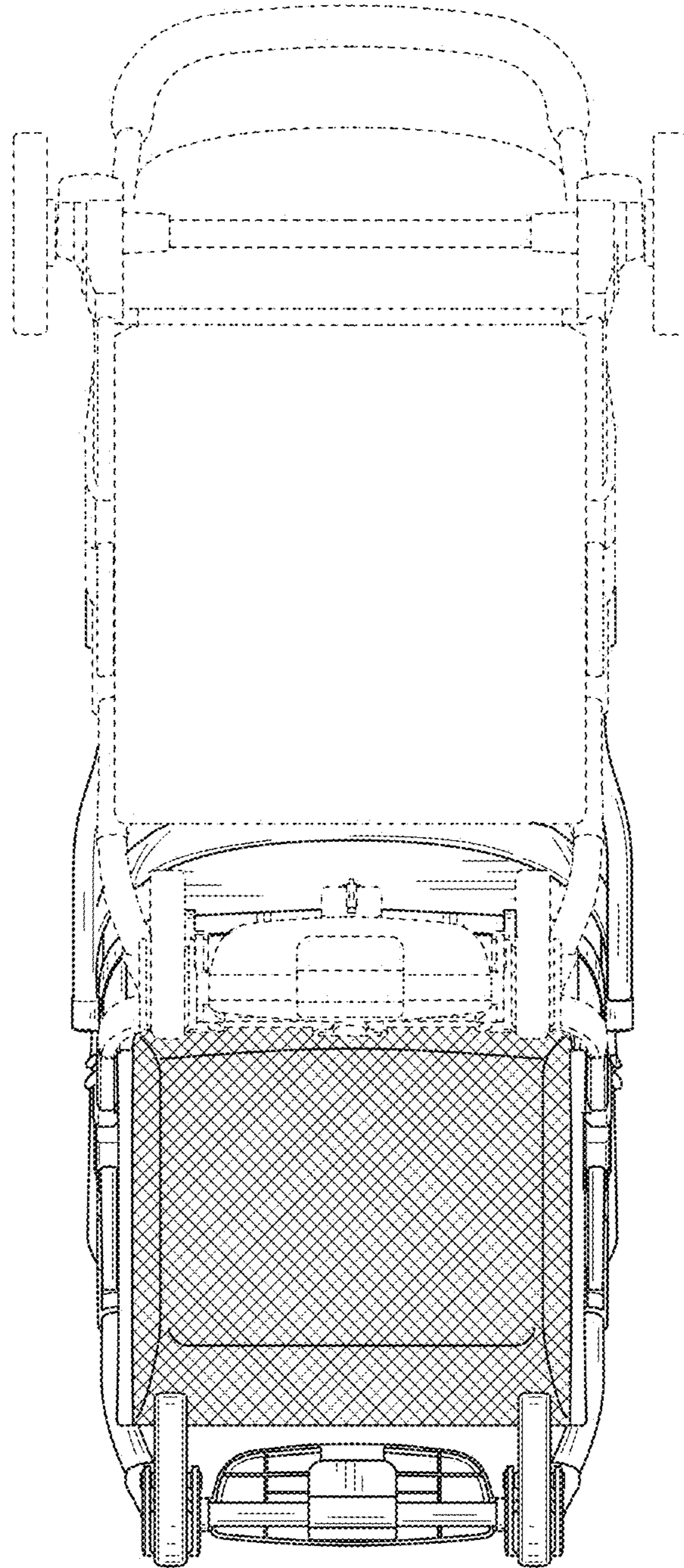


FIG. 23