



US00D875615S

(12) **United States Design Patent**
Martin

(10) **Patent No.:** **US D875,615 S**

(45) **Date of Patent:** **** Feb. 18, 2020**

(54) **MOTORCYCLE, TOY, AND/OR REPLICAS THEREOF**

(71) Applicant: **Bayerische Motoren Werke Aktiengesellschaft, Munich (DE)**

(72) Inventor: **Andreas Maximilian Martin, Hoehenkirchen-Siegersbrunn (DE)**

(73) Assignee: **Bayerische Motoren Werke Aktiengesellschaft, Munich (DE)**

(**) Term: **15 Years**

(21) Appl. No.: **29/668,994**

(22) Filed: **Nov. 5, 2018**

(30) **Foreign Application Priority Data**

May 14, 2018 (DE) 40 2018 100 483

(51) **LOC (12) Cl.** **12-11**

(52) **U.S. Cl.**
USPC **D12/110**

(58) **Field of Classification Search**
USPC D12/110, 111, 117; D21/432, 538
CPC B62K 11/00; B62K 11/02; B62K 11/04;
B62K 11/10; B62K 17/00; B62K 19/00;
B62K 2202/00

See application file for complete search history.

(56) **References Cited**

U.S. PATENT DOCUMENTS

D403,277 S *	12/1998	Kokubu	D12/110
D496,309 S *	9/2004	Fukumoto	D12/110
D504,844 S *	5/2005	Sasanami	D12/110
D548,649 S *	8/2007	Heinrich	D12/110
D549,137 S *	8/2007	Heinrich	D12/110
D551,129 S *	9/2007	Takeda	D12/110
D567,717 S *	4/2008	Hishiki	D12/110
D581,839 S *	12/2008	Sasanami	D12/110

D582,316 S *	12/2008	Stenegard	D12/110
D582,320 S *	12/2008	Tanaka	D12/110
D588,961 S *	3/2009	Tanaka	D12/110
D591,204 S *	4/2009	Matsuzawa	D12/110
D591,205 S *	4/2009	Heinrich	D12/110
D594,786 S *	6/2009	Sakata	D12/110
D596,082 S *	7/2009	Ueno	D12/110
D597,449 S *	8/2009	Nagao	D12/110
D601,458 S *	10/2009	Nagao	D12/110
D605,089 S *	12/2009	Tanaka	D12/110
D605,090 S *	12/2009	Tanaka	D12/110
D606,457 S *	12/2009	Tanaka	D12/110
D611,390 S *	3/2010	Toriyama	D12/110
D638,756 S *	5/2011	Kouchi	D12/110
D643,341 S *	8/2011	Uchiyama	D12/110
D647,824 S *	11/2011	Kouchi	D12/110

(Continued)

Primary Examiner — Darlington Ly

(74) *Attorney, Agent, or Firm* — Crowell & Moring LLP

(57) **CLAIM**

The ornamental design for a motorcycle, toy, and/or replicas thereof, as shown and described.

DESCRIPTION

This application contains subject matter related to the following co-pending U.S. design patent applications:

Application Ser. No. 29/637,108, filed Feb. 14, 2018 and entitled “Motorcycle, Toy, and/or Replicas;” and

Application No. 29/668,995, filed Nov. 5, 2018 and entitled “Motorcycle, Toy, and/or Replicas Thereof.”

FIG. 1 is a front and left side perspective view of a motorcycle, toy, and/or replicas thereof showing my new design;

FIG. 2 is a left side elevation view thereof;

FIG. 3 is a right side elevation view thereof;

FIG. 4 is a front elevation view thereof;

FIG. 5 is a rear elevation view thereof;

FIG. 6 is a top plan view thereof; and,

FIG. 7 is a bottom plan view thereof.

1 Claim, 7 Drawing Sheets



(56)

References Cited

U.S. PATENT DOCUMENTS

D647,825	S	*	11/2011	Shibuta	D12/110
D669,397	S	*	10/2012	Isokari	D12/110
D669,821	S	*	10/2012	Nishihara	D12/110
D670,204	S	*	11/2012	Yasuhara	D12/110
D686,538	S	*	7/2013	Nagao	D12/110
D688,982	S	*	9/2013	Oyanagi	D12/110
D688,983	S	*	9/2013	Shibuta	D12/110
D689,406	S	*	9/2013	Yasuhara	D12/110
D694,673	S	*	12/2013	Katagiri	D12/110
8,807,259	B2	*	8/2014	Tominaga	B62K 11/04 180/219
8,827,024	B1	*	9/2014	Sumi	B62K 25/02 180/227
D718,669	S	*	12/2014	Kiska	D12/110
D723,431	S	*	3/2015	Noguchi	D12/110
D735,085	S	*	7/2015	Buckan	D12/110
D736,677	S	*	8/2015	Imura	D12/110
D755,084	S	*	5/2016	Sakata	D12/110
D755,680	S	*	5/2016	Yashuhara	D12/110
D755,681	S	*	5/2016	Martin	D12/110
D755,682	S	*	5/2016	Hahn-Woernle	D12/110
D756,268	S	*	5/2016	Yamada	D12/110
D758,923	S	*	6/2016	Yamada	D12/110
D758,924	S	*	6/2016	Tamura	D12/110
D795,746	S	*	8/2017	Akita	D12/110
D797,002	S	*	9/2017	Toyama	D12/110
D801,230	S	*	10/2017	Endo	D12/110
2012/0318598	A1	*	12/2012	Fujiyama	B60K 5/12 180/219
2014/0084565	A1	*	3/2014	Nakamura	B62K 25/283 280/284
2015/0101875	A1	*	4/2015	Inayama	B60K 13/02 180/225

* cited by examiner



Fig. 1

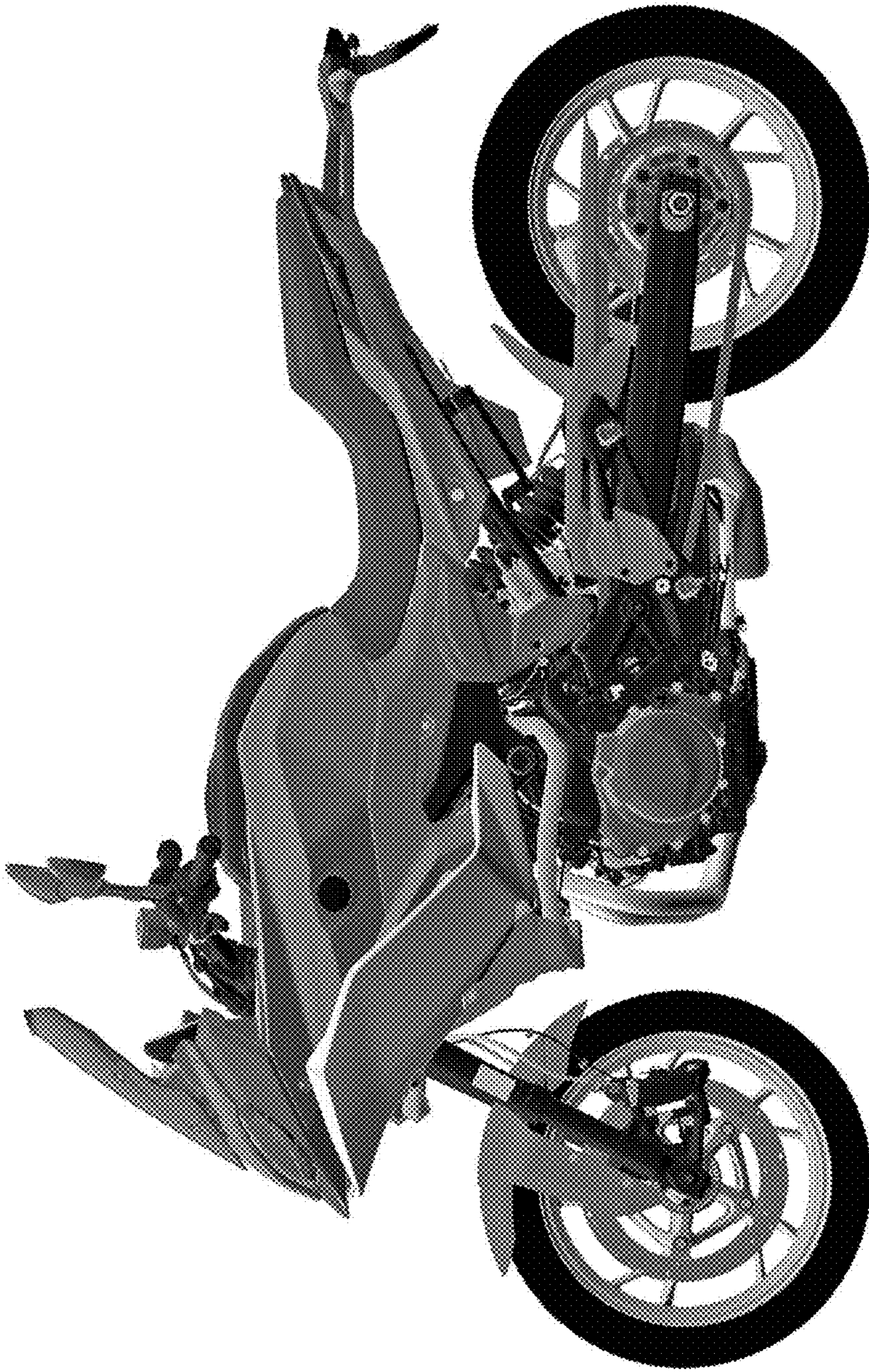


Fig. 2

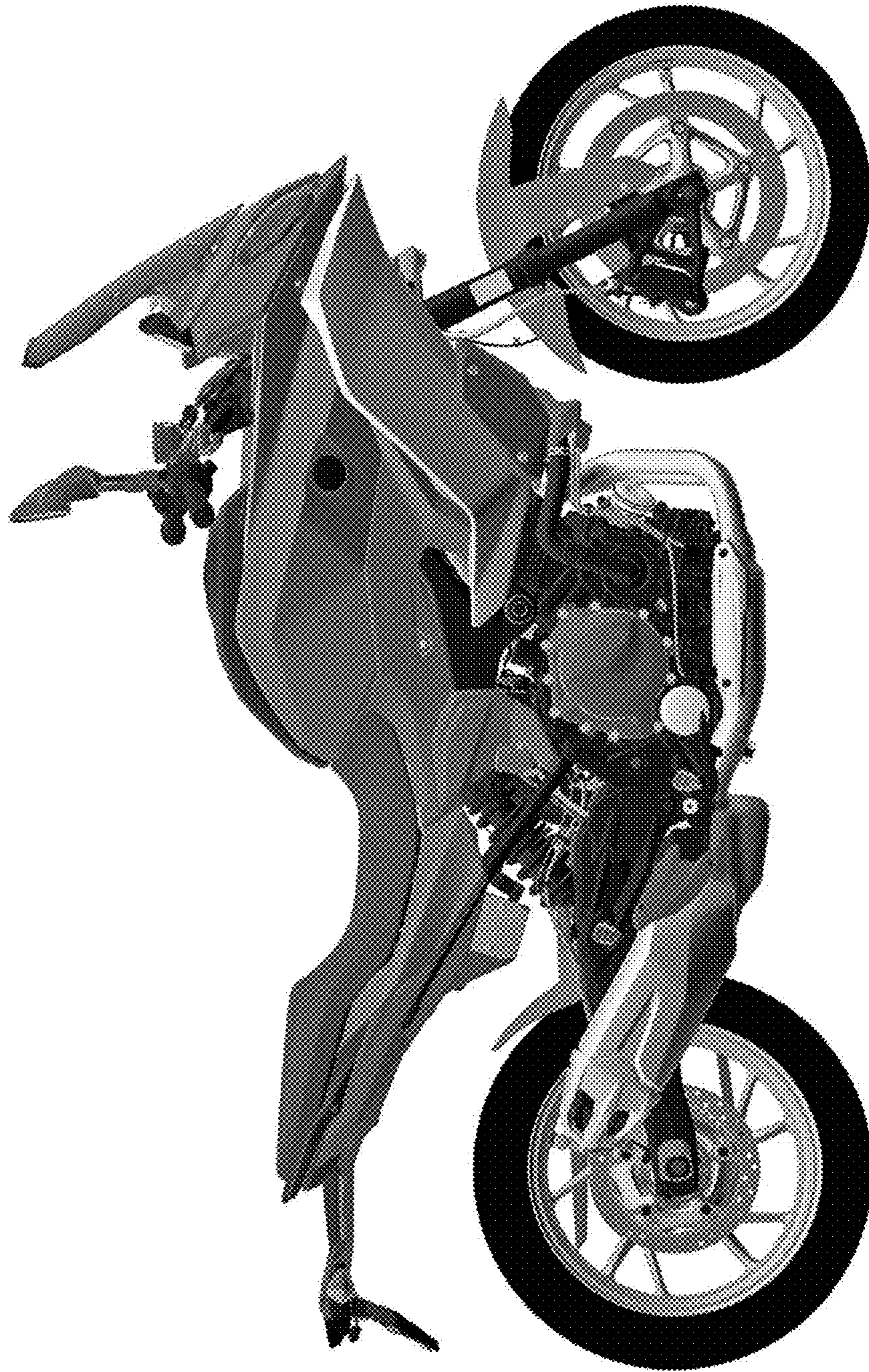


Fig. 3

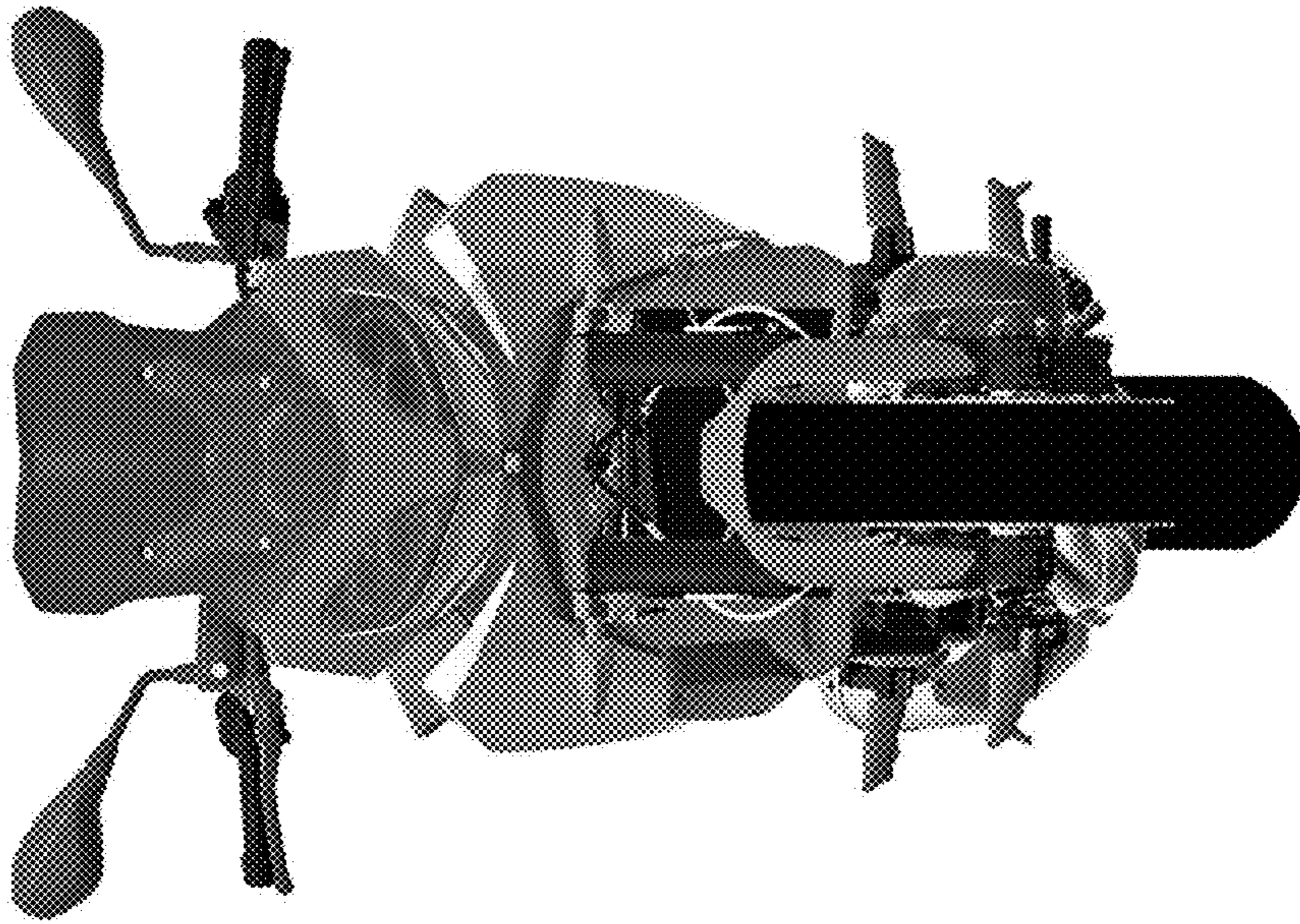


Fig. 4

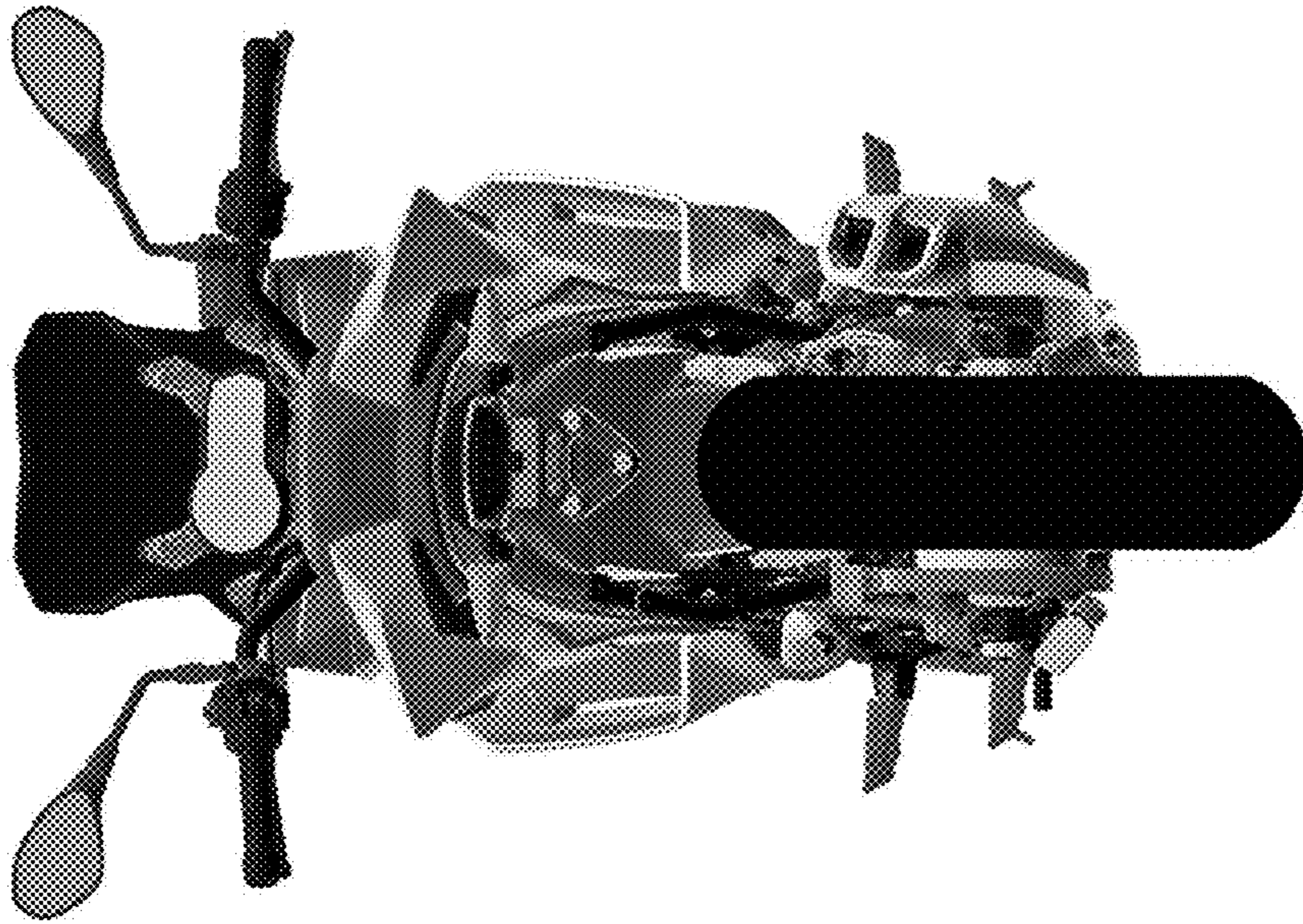


Fig. 5

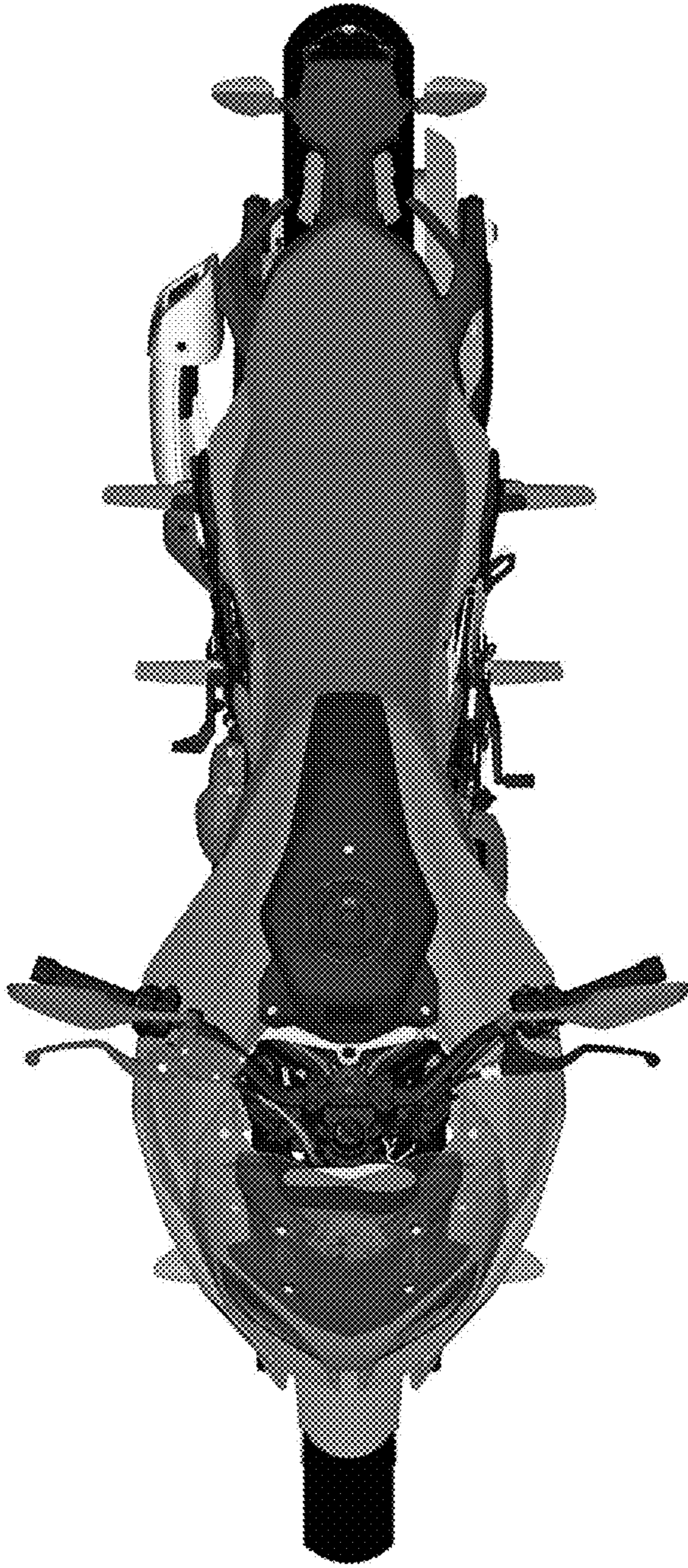


Fig. 6

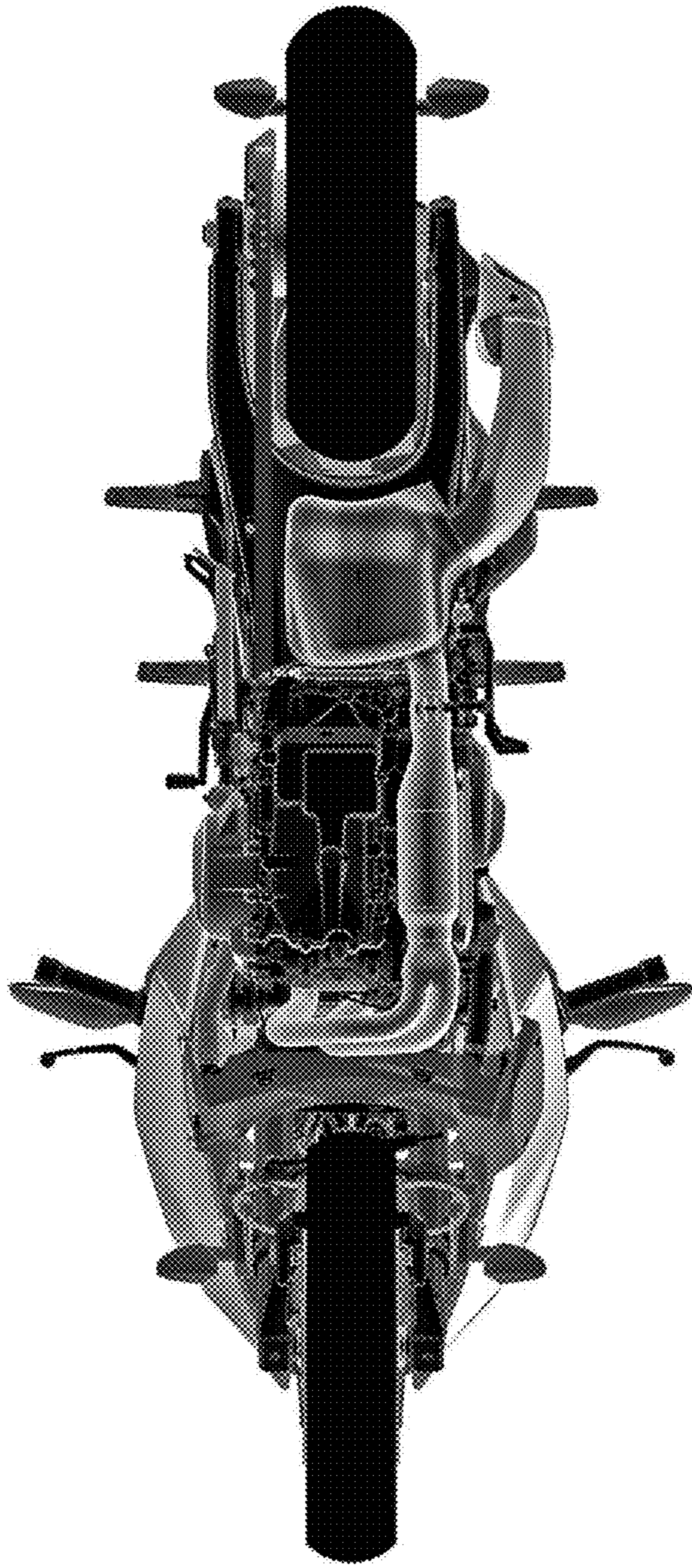


Fig. 7