

US00D875614S

(12) **United States Design Patent** (10) **Patent No.:** **US D875,614 S**
Akita (45) **Date of Patent:** **** Feb. 18, 2020**

(54) **MOTORCYCLE**
(71) Applicant: **Kawasaki Jukogyo Kabushiki Kaisha,**
Kobe-shi, Hyogo (JP)
(72) Inventor: **Kohei Akita,** Akashi (JP)
(73) Assignee: **KAWASAKI JUKOGYO**
KABUSHIKI KAISHA (JP)
(**) Term: **15 Years**
(21) Appl. No.: **29/655,928**
(22) Filed: **Jul. 9, 2018**

(30) **Foreign Application Priority Data**
Feb. 6, 2018 (JP) 2018-002246

(51) **LOC (12) Cl.** **12-11**
(52) **U.S. Cl.**

USPC **D12/110**

(58) **Field of Classification Search**
USPC D12/110, 111, 117; D21/432, 538
CPC B62K 11/00; B62K 11/02; B62K 11/04;
B62K 11/10; B62K 17/00; B62K 19/00;
B62K 2202/00
See application file for complete search history.

(56) **References Cited**
U.S. PATENT DOCUMENTS

D269,170 S *	5/1983	Aoyama	D12/110
D270,047 S *	8/1983	Kataoka	D12/110
D273,854 S *	5/1984	Ishiyama	D12/110
D384,600 S *	10/1997	Miwa	D12/110
D384,601 S *	10/1997	Hiruma	D12/110
D395,849 S *	7/1998	Maruyama	D12/110
D419,922 S *	2/2000	Yamase	D12/110
D430,822 S *	9/2000	Sakaguchi	D12/110
D482,639 S *	11/2003	Yamamoto	D12/110
D497,329 S *	10/2004	Yamamoto	D12/110

D497,330 S *	10/2004	Fukuyama	D12/110
D513,481 S *	1/2006	Lin	D12/110
D517,956 S *	3/2006	Kishi	D12/110
D523,783 S *	6/2006	Sugimoto	D12/110
D524,191 S *	7/2006	Sugimoto	D12/110
D526,249 S *	8/2006	Tanaka	D12/110
D549,136 S *	8/2007	Yu	D12/110
D559,155 S *	1/2008	Sakata	D12/110
D566,626 S *	4/2008	Sakata	D12/110
D581,840 S *	12/2008	Ichihara	D12/110
D590,302 S *	4/2009	Tanaka	D12/110
D594,784 S *	6/2009	Ichihara	D12/110
D598,330 S *	8/2009	Miyanishi	D12/110
D601,927 S *	10/2009	Watanabe	D12/110
D603,300 S *	11/2009	Fukuyama	D12/110
D609,609 S *	2/2010	Hayashi	D12/110
D609,610 S *	2/2010	Inose	D12/110
D621,301 S *	8/2010	Hayashi	D12/110
D632,226 S *	2/2011	Miyata	D12/110
D640,173 S *	6/2011	Oyanagi	D12/110
D665,706 S *	8/2012	Oyanagi	D12/110

(Continued)

FOREIGN PATENT DOCUMENTS

JP D1544270 1/2016

Primary Examiner — Darlington Ly

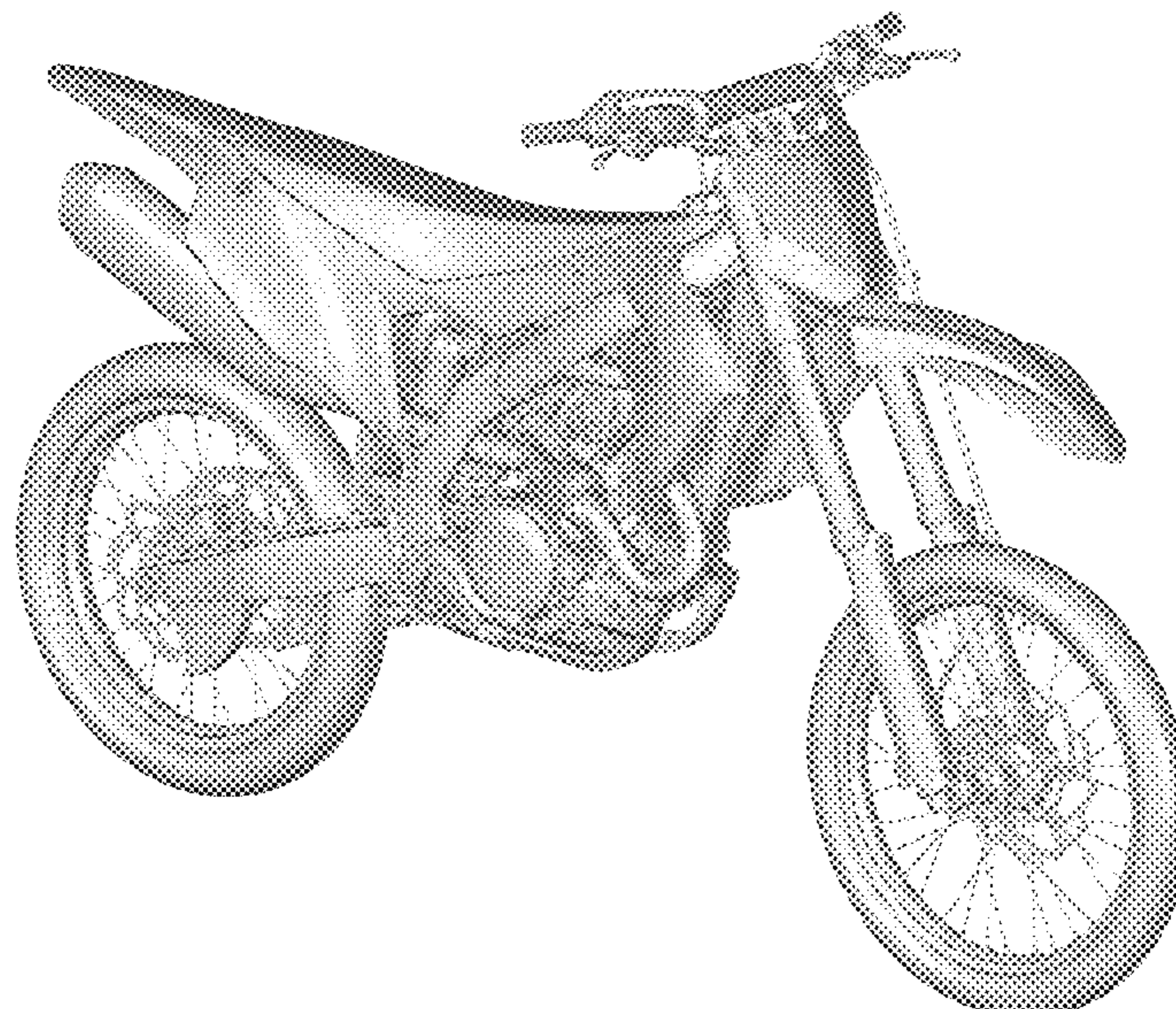
(57) **CLAIM**

The ornamental design for a motorcycle, as shown and described.

DESCRIPTION

FIG. 1 is a front elevational view of a motorcycle showing my new design;
FIG. 2 is a rear elevational view thereof;
FIG. 3 is a left side elevational view thereof;
FIG. 4 is a right side elevational view thereof;
FIG. 5 is a top plan view thereof;
FIG. 6 is a front left perspective view thereof; and,
FIG. 7 is a rear right perspective view thereof.

1 Claim, 7 Drawing Sheets



(56)

References Cited

U.S. PATENT DOCUMENTS

D685,682 S * 7/2013 Matsumura D12/110
D724,496 S * 3/2015 Takeda D12/110
D735,086 S * 7/2015 Talios D12/110
D735,087 S * 7/2015 Imura D12/110
D738,260 S * 9/2015 Akita D12/110
D738,789 S * 9/2015 Inose D12/110
D754,567 S * 4/2016 Limura D12/110
D792,287 S * 7/2017 Kobayashi D12/110
D798,195 S * 9/2017 Yu D12/110
D809,433 S * 2/2018 Kobayashi D12/110
2013/0313034 A1* 11/2013 Matsushima B62K 11/00
180/219
2015/0060178 A1* 3/2015 Matsushima F02M 35/162
180/219
2017/0057338 A1* 3/2017 Inagaki B60K 11/08

* cited by examiner

Fig. 1

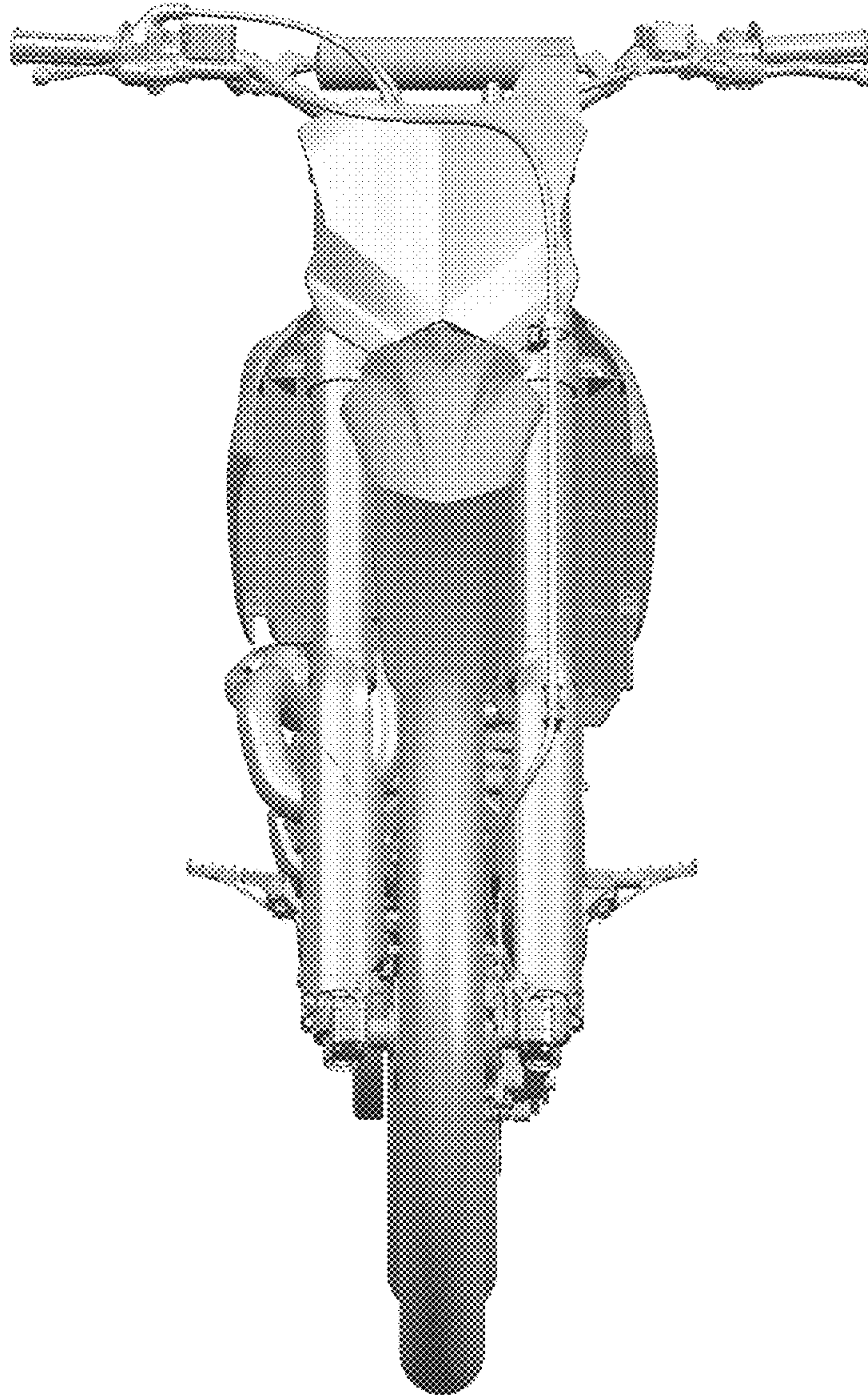
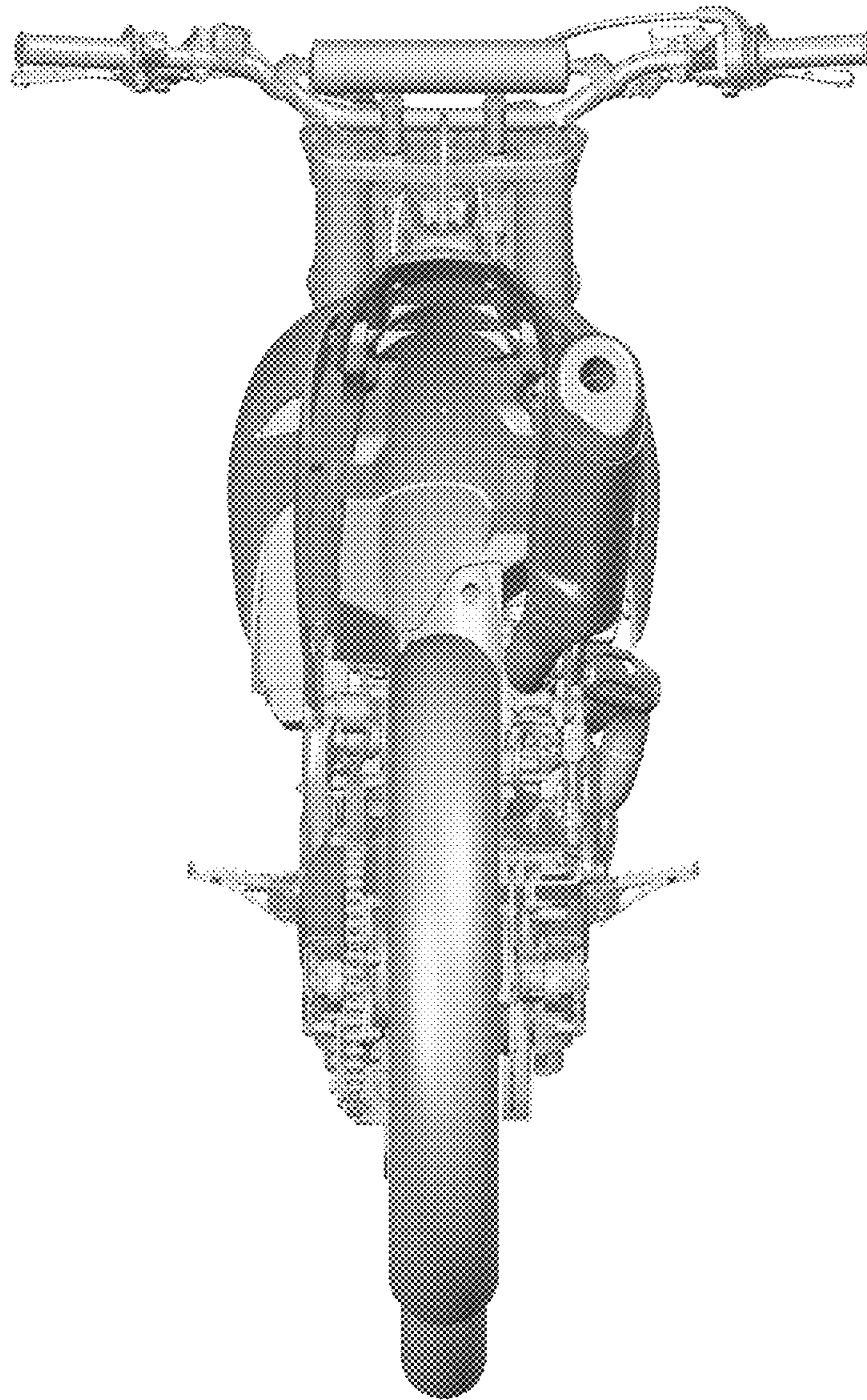


Fig. 2



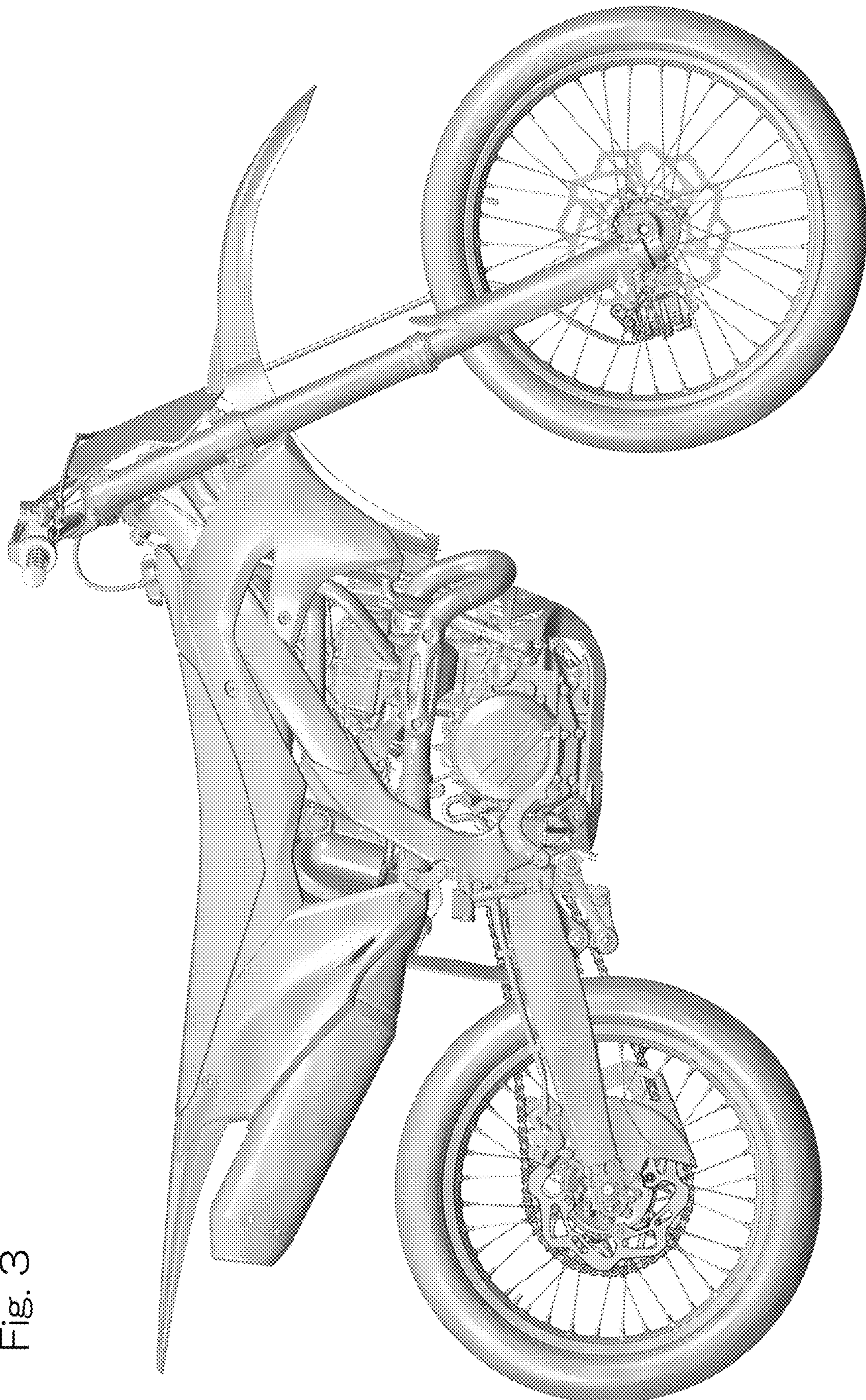


Fig. 3

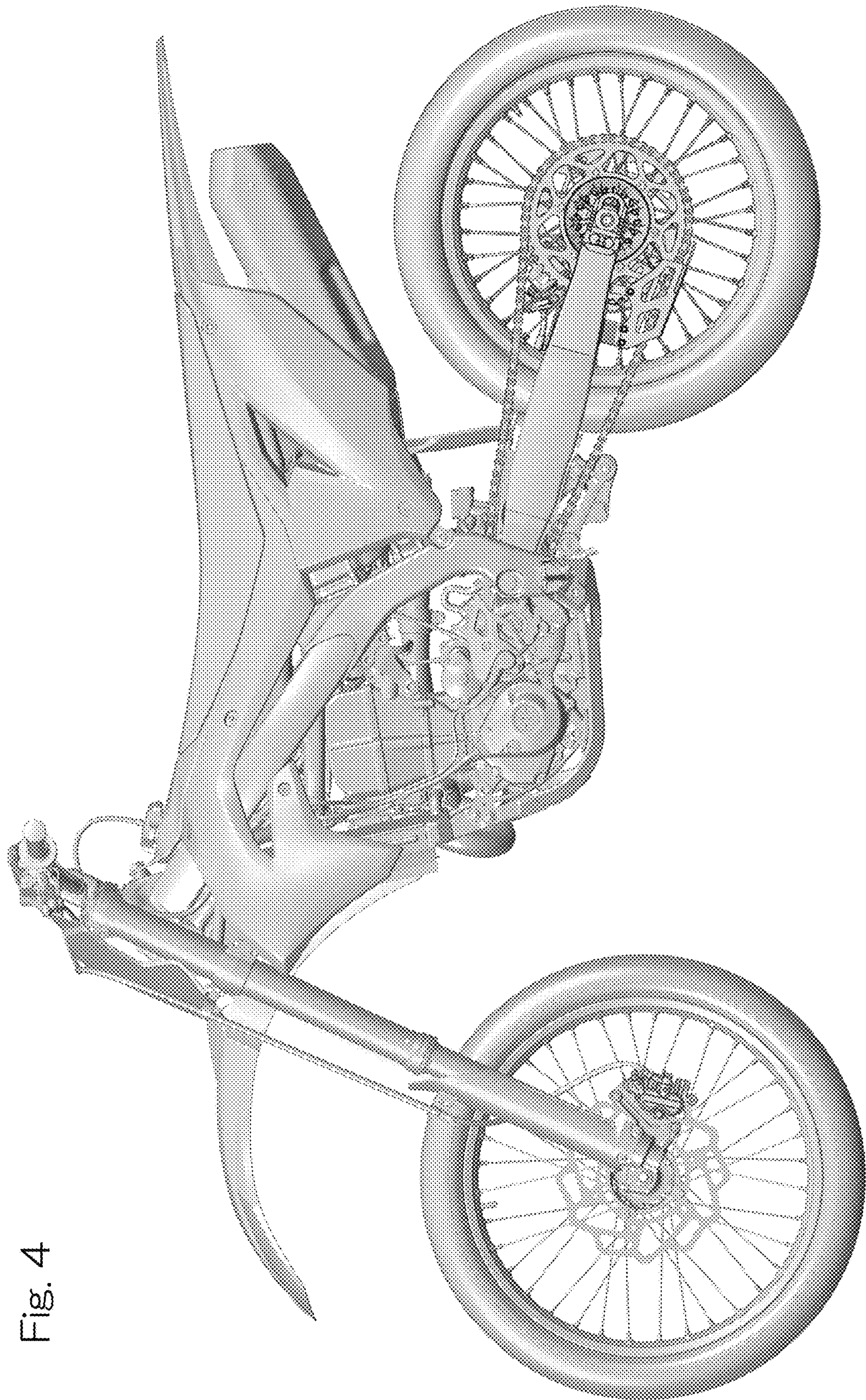
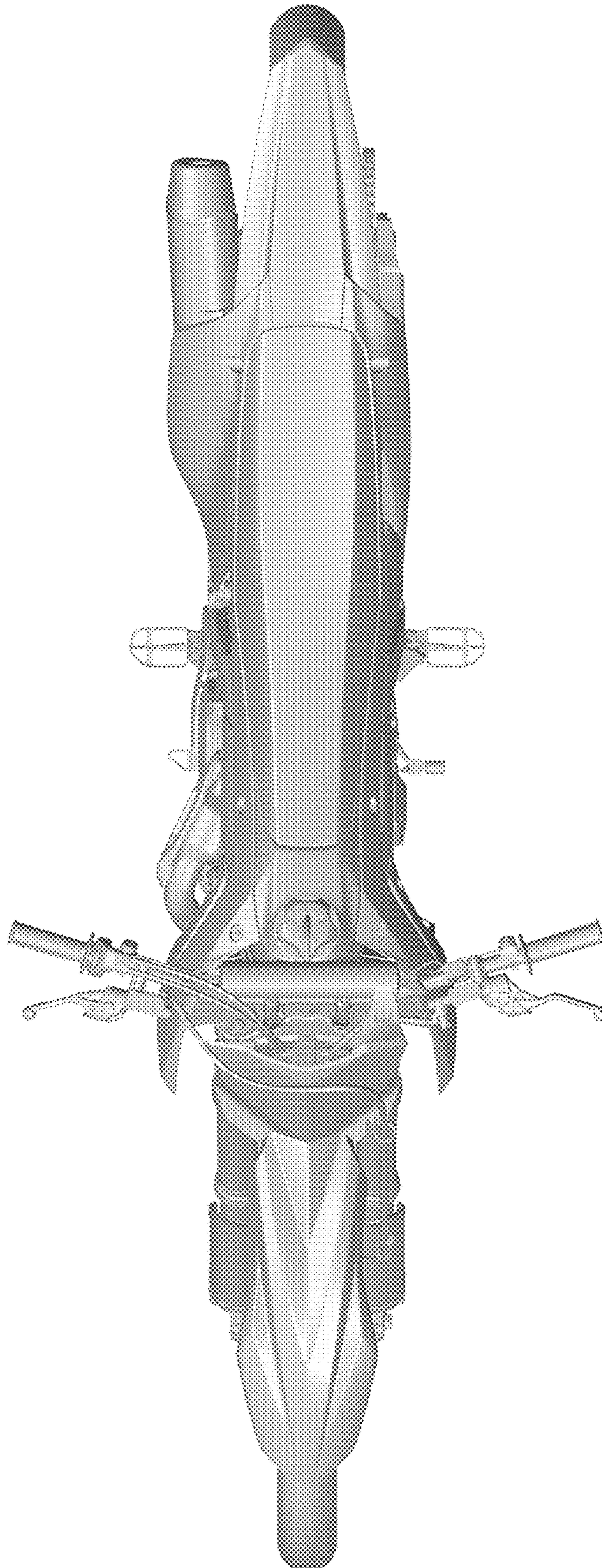


Fig. 4

Fig. 5



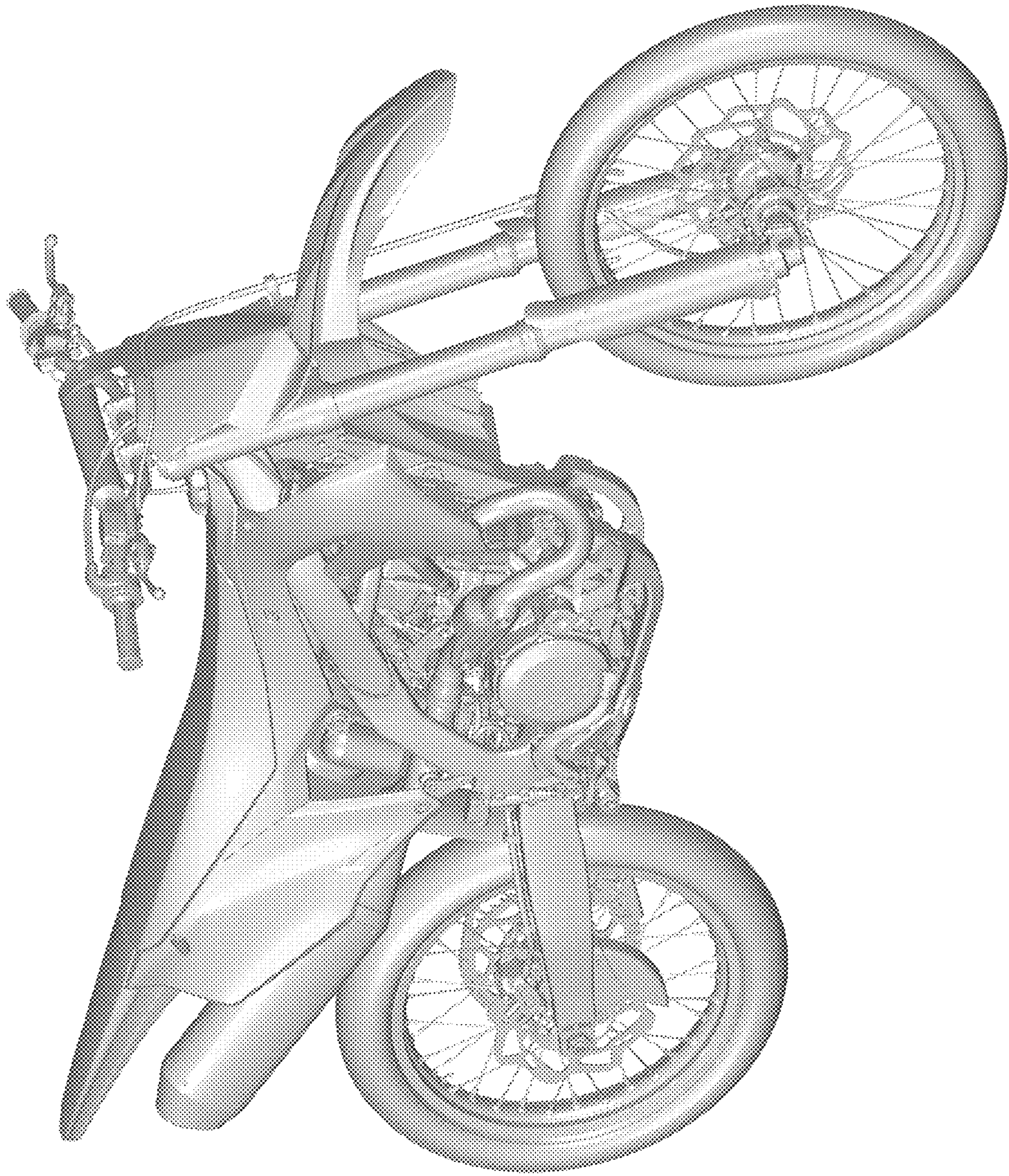


Fig. 6

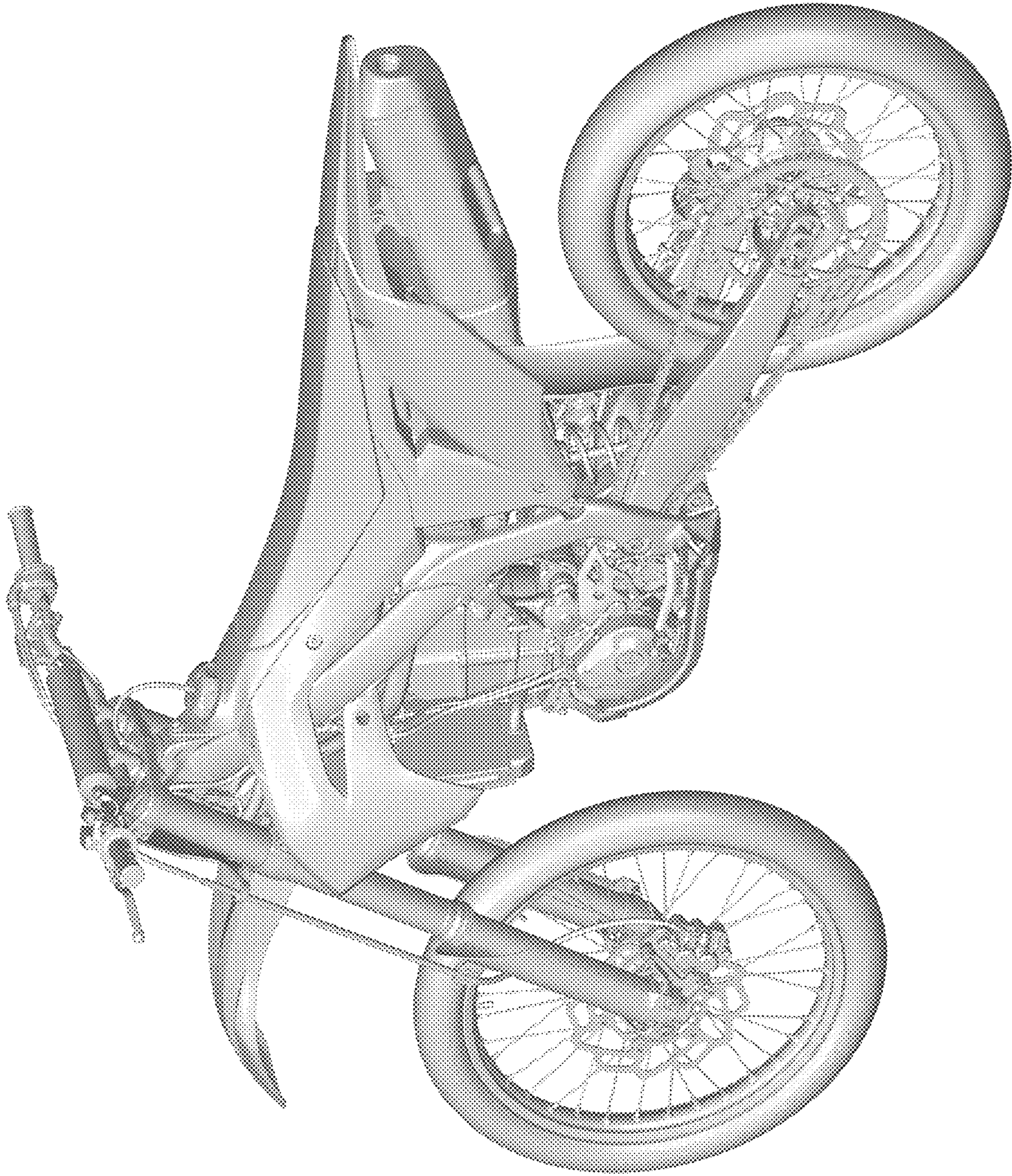


Fig. 7