



US00D875608S

(12) **United States Design Patent** (10) **Patent No.:** **US D875,608 S**
Bischoff et al. (45) **Date of Patent:** **** Feb. 18, 2020**

(54) **MOTOR VEHICLE**
(71) Applicant: **VOLKSWAGEN AKTIENGESELLSCHAFT**,
Wolfsburg (DE)
(72) Inventors: **Klaus Bischoff**, Wolfsburg (DE);
Alejandro Bustamante Rueda,
Wolfsburg (DE); **Maxence Douillard**,
Wolfsburg (DE)
(73) Assignee: **VOLKSWAGEN AKTIENGESELLSCHAFT**,
Wolfsburg (DE)
(**) Term: **15 Years**
(21) Appl. No.: **29/670,808**
(22) Filed: **Nov. 20, 2018**
(30) **Foreign Application Priority Data**
Jun. 19, 2018 (DE) 40 2018 100 600
(51) **LOC (12) Cl.** **12-08**
(52) **U.S. Cl.**
USPC **D12/92**
(58) **Field of Classification Search**
USPC D12/86, 90-92, 88; D21/424, 433, 434,
D21/533; 296/181.1-181.5, 183.1
CPC B62D 25/00; B62D 25/06; B62D 33/00;
B62D 35/00
See application file for complete search history.

(56) **References Cited**
U.S. PATENT DOCUMENTS
D620,840 S * 8/2010 Bischoff D12/91
D626,885 S * 11/2010 Bischoff D12/91
D637,943 S * 5/2011 Bischoff D12/92

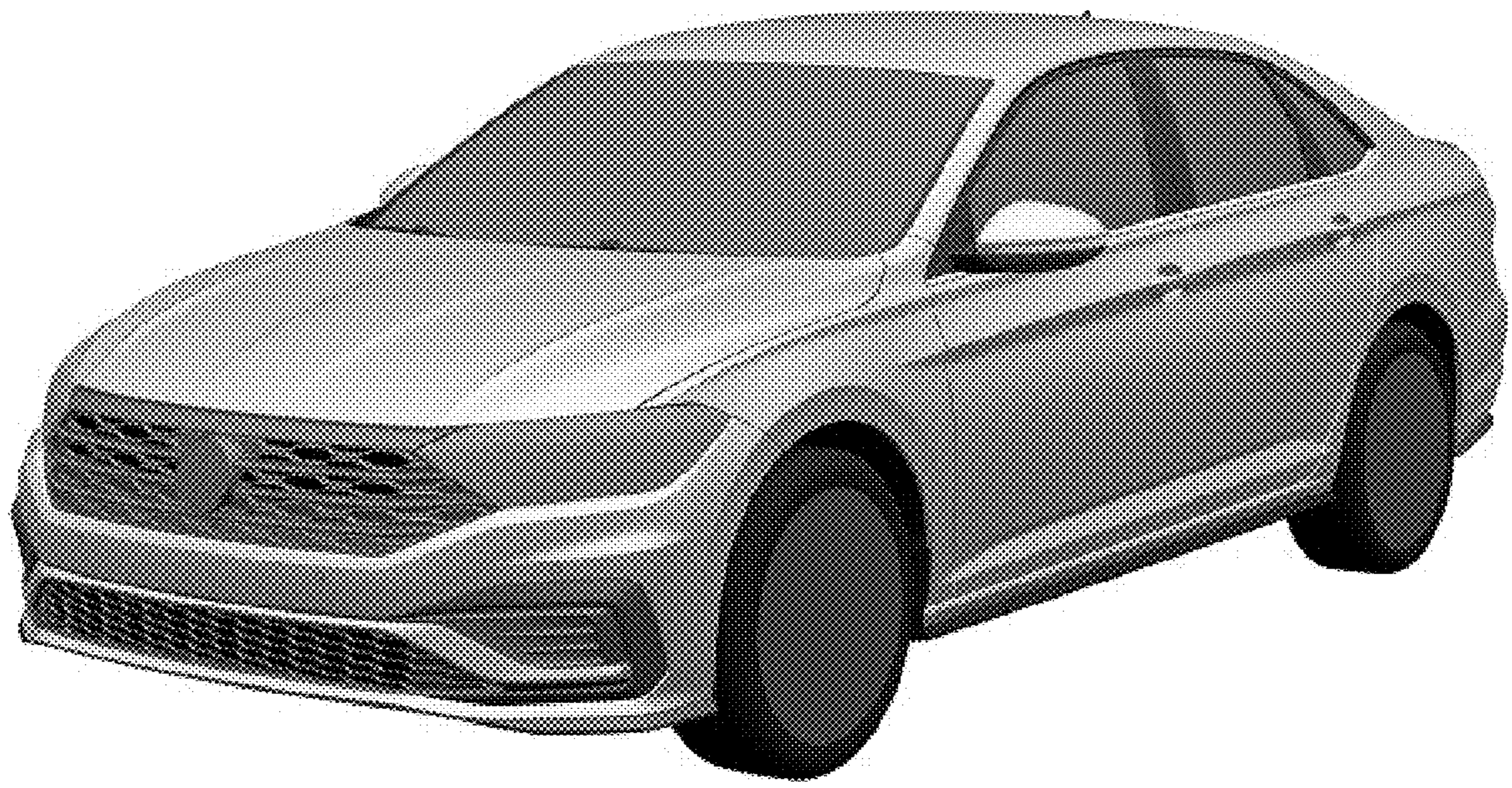
D671,034 S * 11/2012 Bischoff D12/91
D671,035 S * 11/2012 Bischoff D12/91
D683,656 S * 6/2013 Bischoff D12/91
D690,231 S * 9/2013 Bischoff D12/91
D691,067 S * 10/2013 Bischoff D12/91
D691,068 S * 10/2013 Bischoff D12/92
D699,157 S * 2/2014 Bischoff D12/92
D701,145 S * 3/2014 Bischoff D12/91
D712,788 S * 9/2014 Bischoff D12/91
D714,689 S * 10/2014 Bischoff D12/92
D740,178 S * 10/2015 Bischoff D12/92
D748,534 S * 2/2016 Bischoff D12/92
D761,697 S * 7/2016 Bischoff D12/92
D791,020 S * 7/2017 Bischoff D12/91
D804,363 S * 12/2017 Bischoff D12/92
D814,355 S * 4/2018 Bischoff D12/91
D826,094 S * 8/2018 Bischoff D12/92
D860,868 S * 9/2019 Bischoff D12/92

* cited by examiner
Primary Examiner — Melody N Brown
(74) *Attorney, Agent, or Firm* — Lucas & Mercanti, LLP;
Klaus P. Stoffel

(57) **CLAIM**
The ornamental design for a motor vehicle, as shown and described.

DESCRIPTION
FIG. 1 is a front and right side perspective view of a motor vehicle showing our new design;
FIG. 2 is a rear and right side perspective view thereof;
FIG. 3 is a front and left side perspective view thereof;
FIG. 4 is a rear and left side perspective view thereof;
FIG. 5 is a front view thereof;
FIG. 6 is a rear view thereof;
FIG. 7 is a right side view thereof;
FIG. 8 is a left side view thereof; and,
FIG. 9 is a top view thereof.

1 Claim, 5 Drawing Sheets



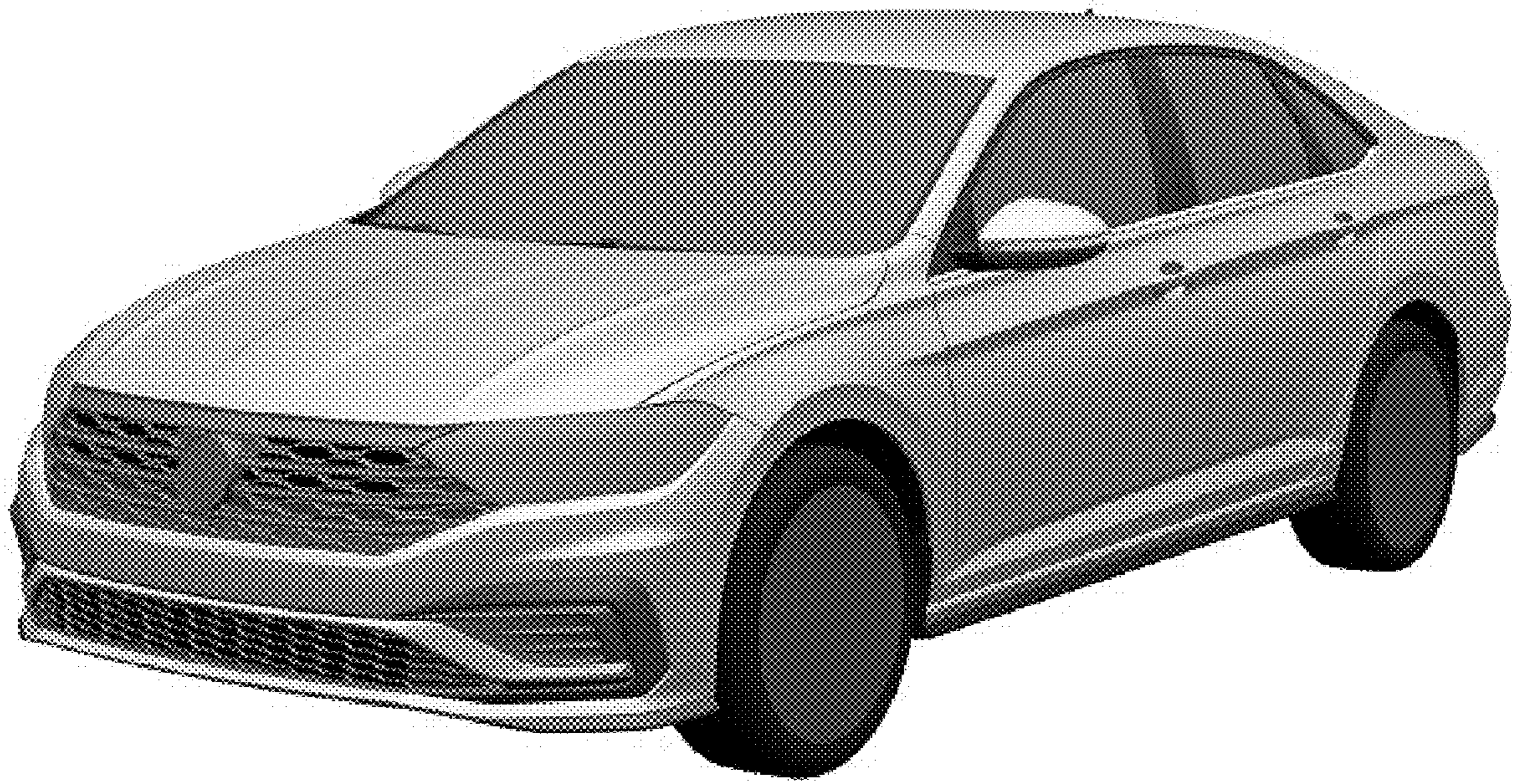


Fig. 1

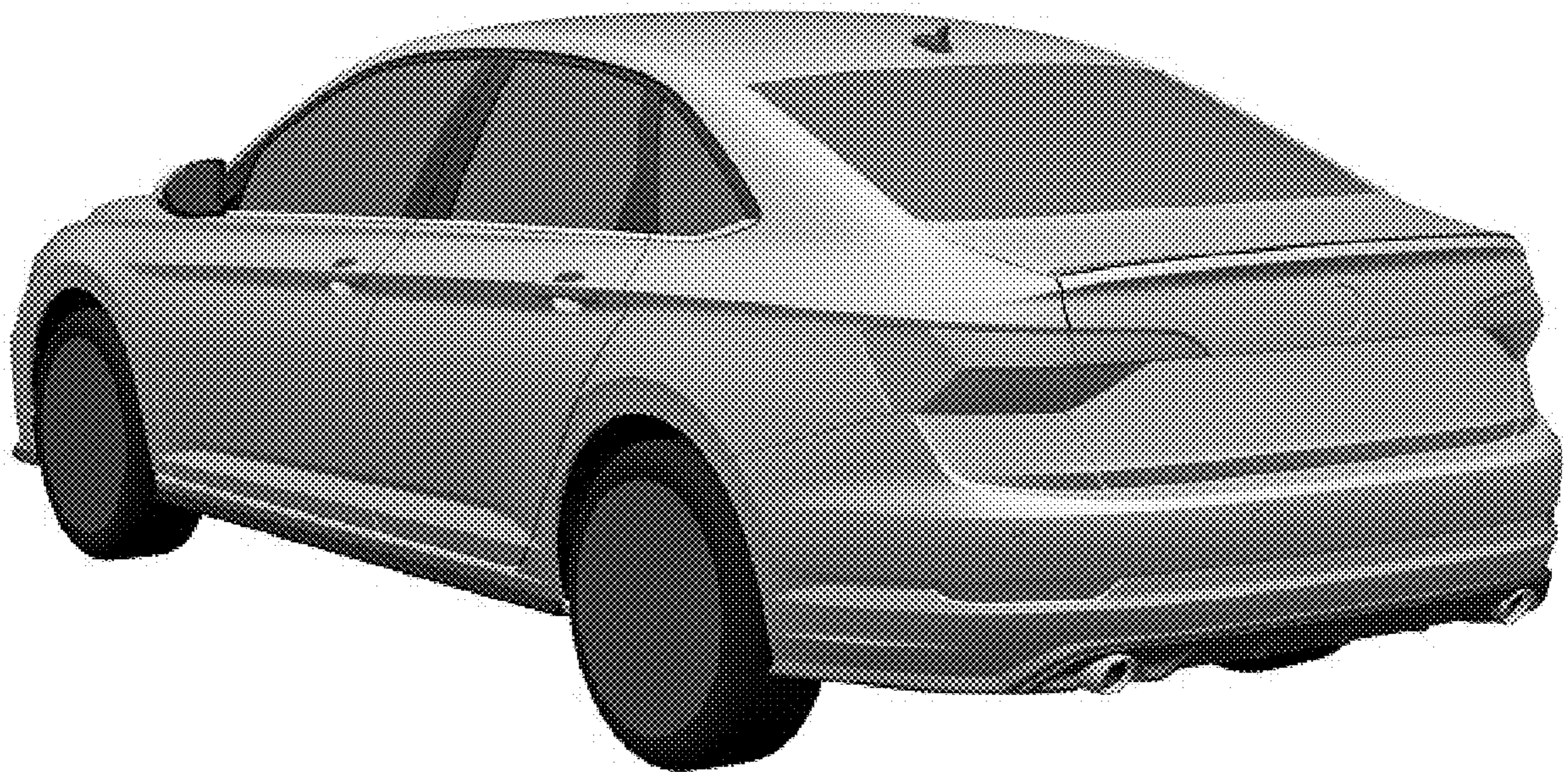


Fig. 2

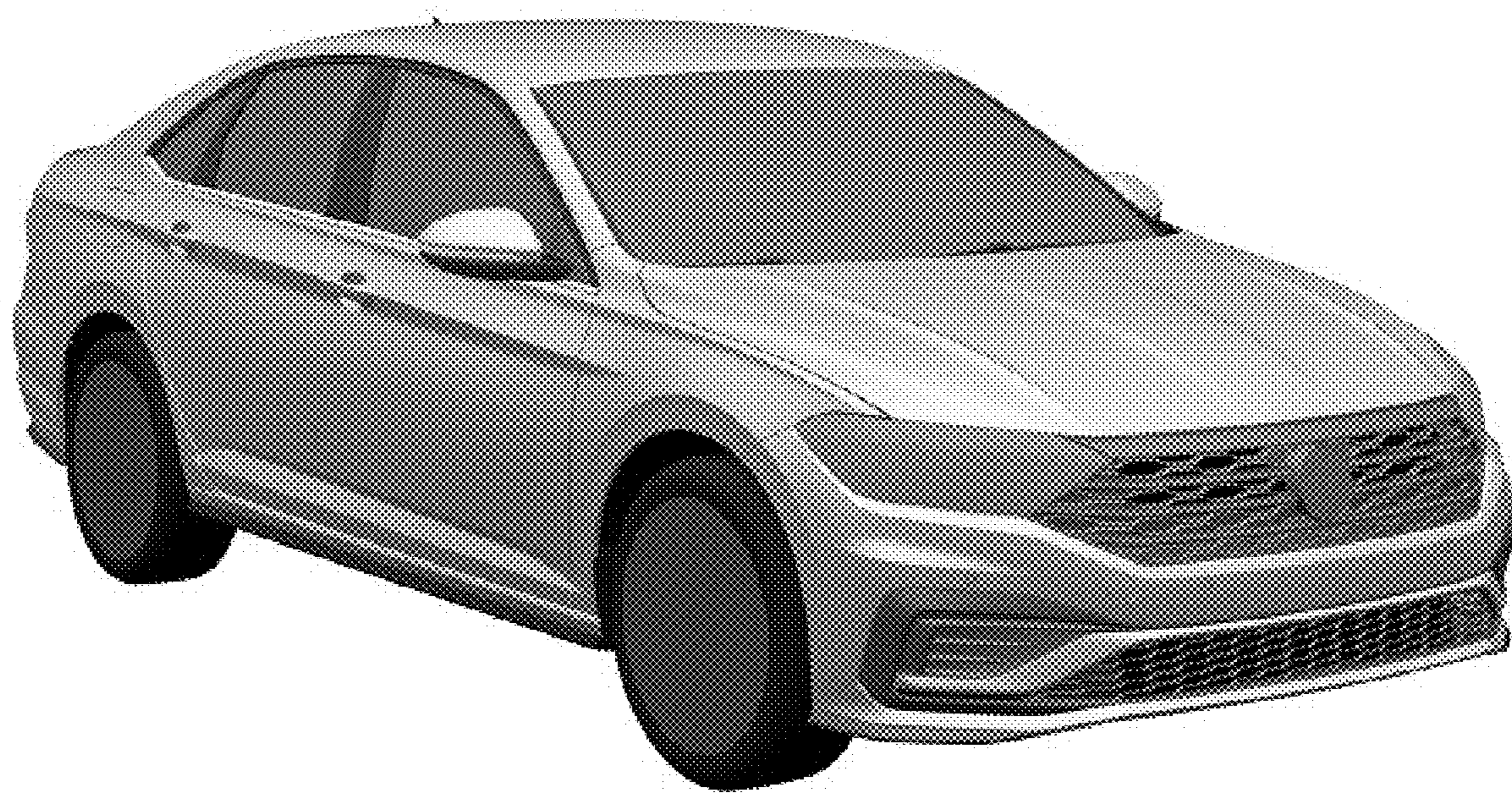


Fig. 3



Fig. 4

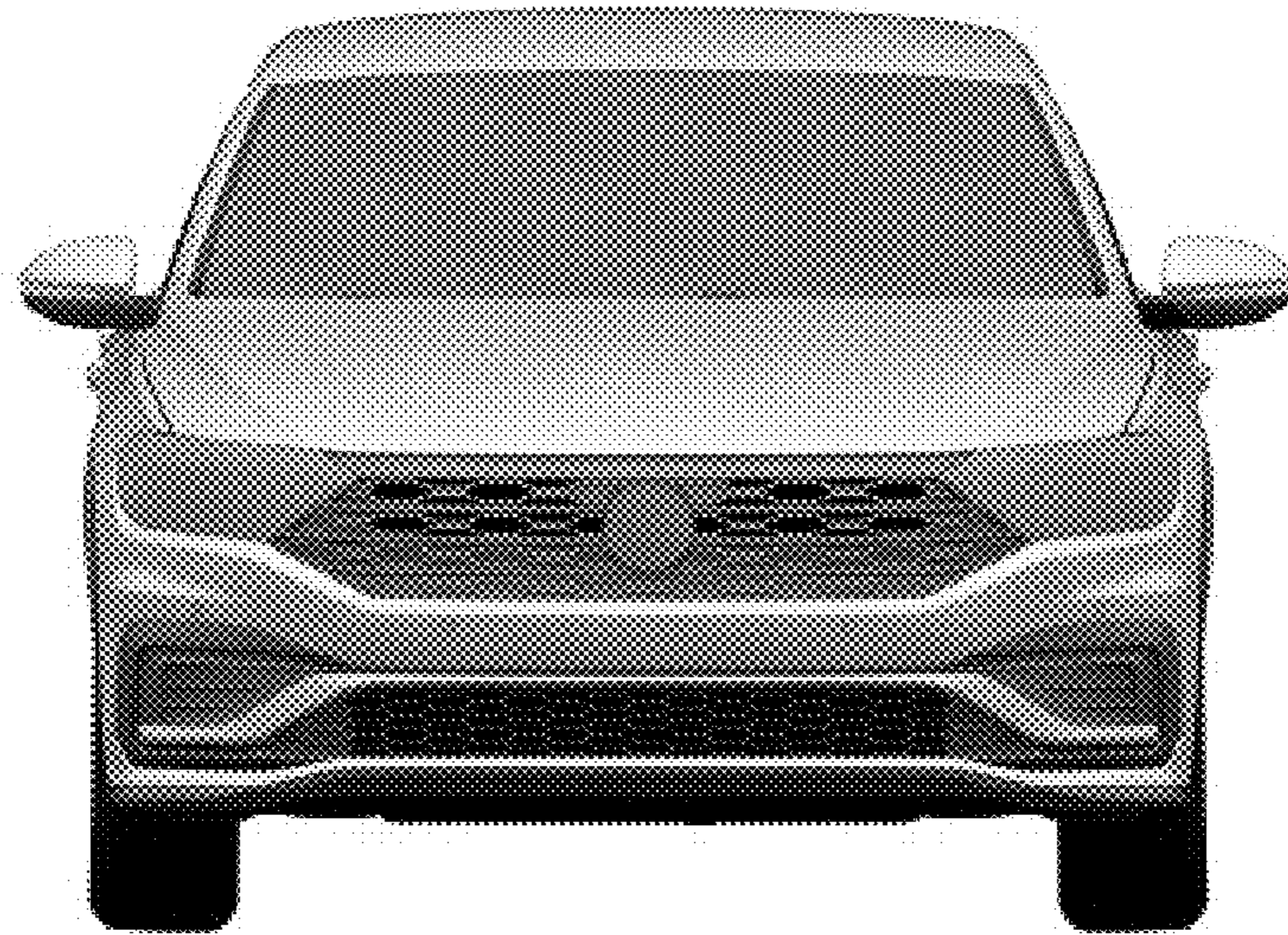


Fig. 5

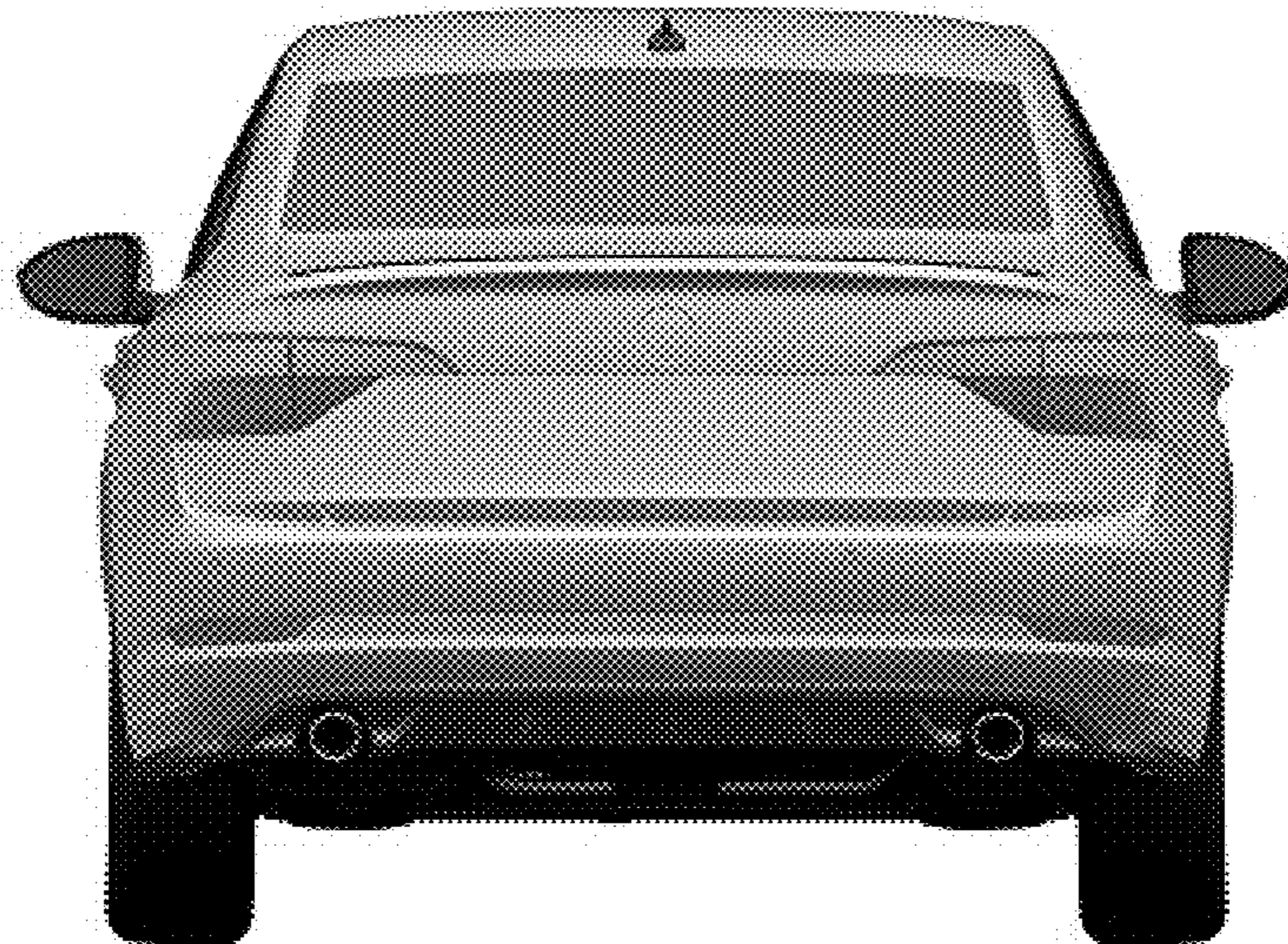


Fig. 6

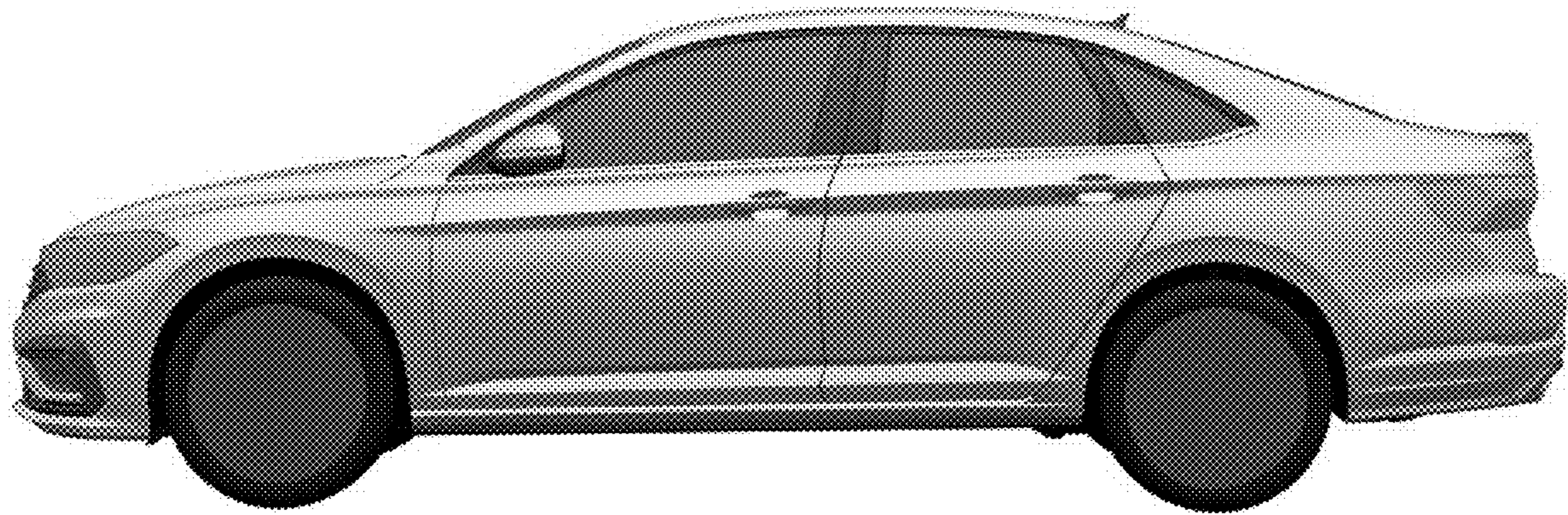


Fig. 7

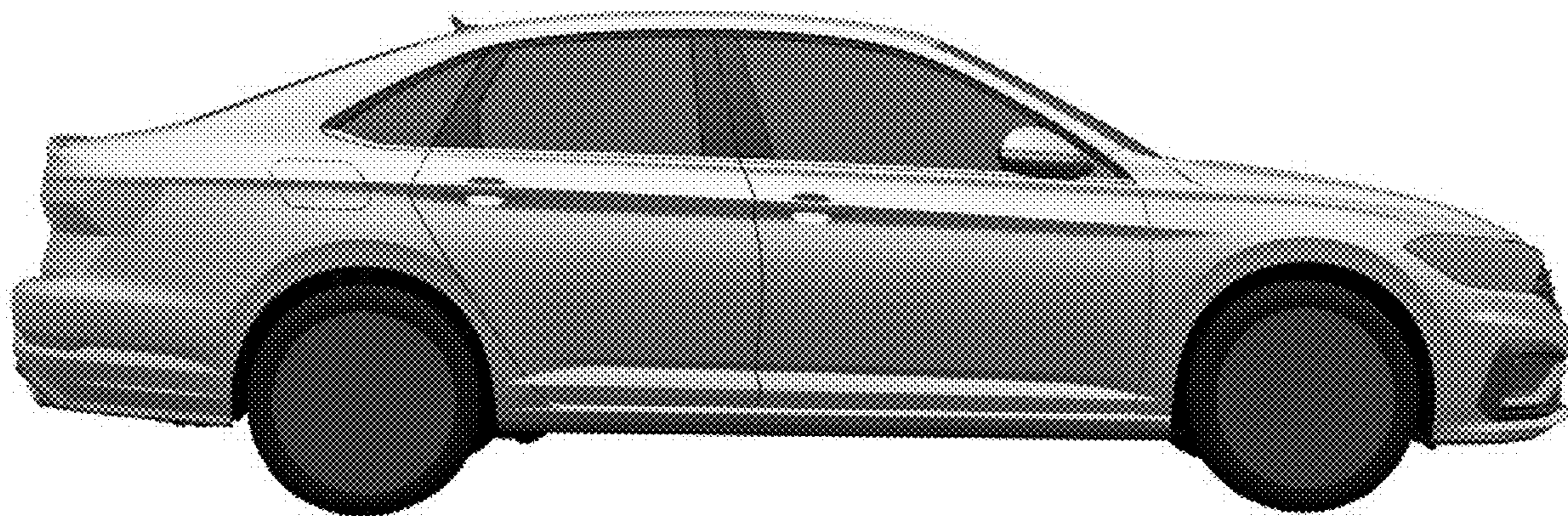


Fig. 8

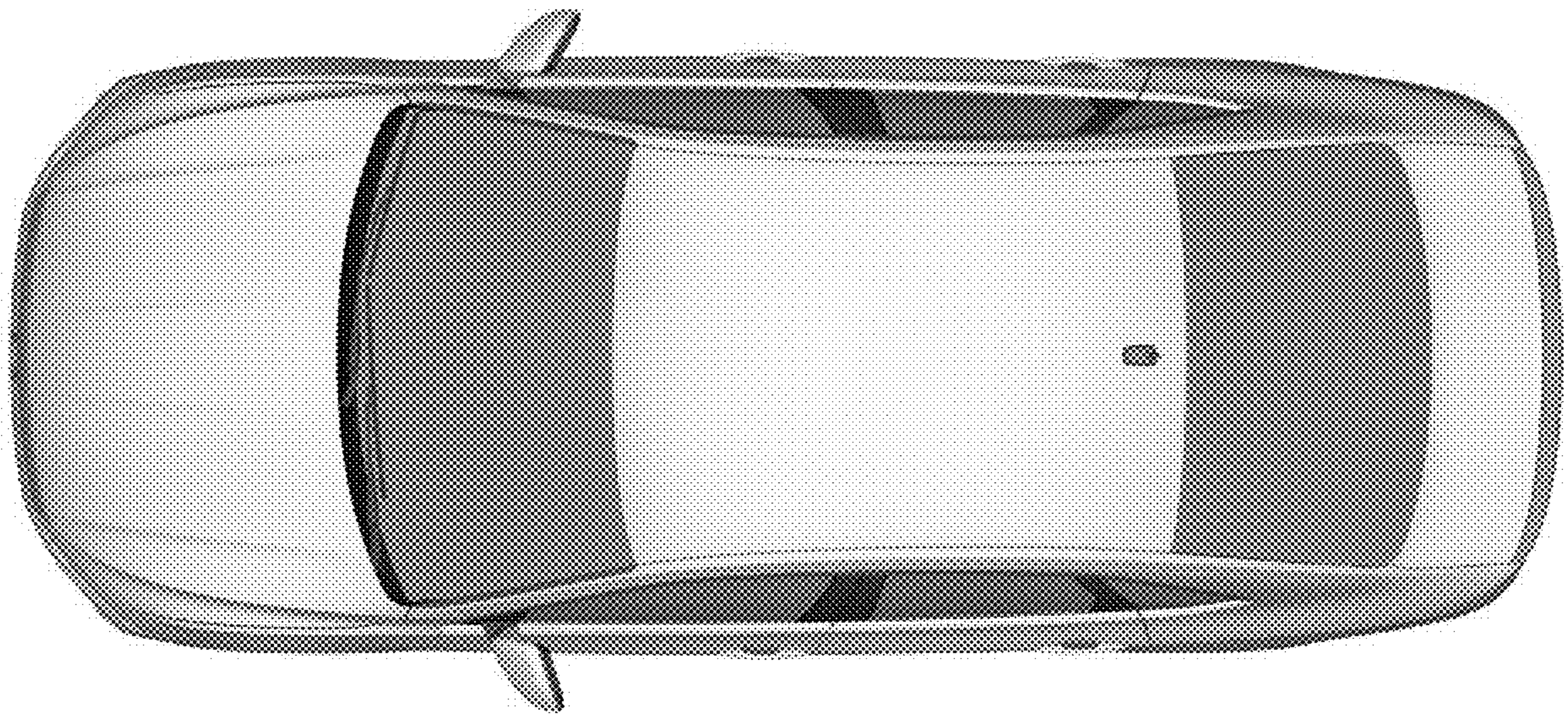


Fig. 9