



US00D875600S

(12) **United States Design Patent**
Saporiti

(10) **Patent No.:** **US D875,600 S**

(45) **Date of Patent:** **** Feb. 18, 2020**

(54) **DECORATIVE PLANT AND FLOWER POTS**

(71) Applicant: **I.D.E.L S.R.L.**, Larciano (IT)

(72) Inventor: **Marco Saporiti**, La Spezia (IT)

(**) Term: **15 Years**

(21) Appl. No.: **35/505,580**

(22) Filed: **Feb. 28, 2018**

(80) **Hague Agreement Data**

Int. Filing Date: **Feb. 28, 2018**

Int. Reg. No.: **DM/100878**

Int. Reg. Date: **Feb. 28, 2018**

Int. Reg. Pub. Date: **Aug. 31, 2018**

(51) **LOC (12) Cl.** **11-02**

(52) **U.S. Cl.**
USPC **D11/155**

(58) **Field of Classification Search**
USPC D3/304; D9/414, 415, 432; D11/143,
D11/145, 155, 156; D28/83, 90; D32/37
CPC A01G 9/02; A01G 9/028
See application file for complete search history.

(56) **References Cited**

U.S. PATENT DOCUMENTS

D272,576 S *	2/1984	Klein	D3/304
D351,266 S *	10/1994	Licari	D32/37
D360,299 S *	7/1995	Macek	D21/425
D376,231 S *	12/1996	McLain	D32/37
D401,065 S *	11/1998	Peltola	D3/304
D444,628 S *	7/2001	Schwarz	D23/209
D457,280 S *	5/2002	Sofy	D32/37
D462,149 S *	8/2002	Hall	D32/37
D501,968 S *	2/2005	Sofy	D32/37
D549,455 S *	8/2007	Kent	D3/304
D575,061 S *	8/2008	Titas	D3/304
D579,660 S *	11/2008	Snider	D3/304
D584,020 S *	12/2008	McNamara	D32/37

D589,664 S *	3/2009	Simas	D32/37
D593,719 S *	6/2009	McNamara	D32/37
D604,046 S *	11/2009	Tokunaga	D3/304
D642,347 S *	7/2011	Jensen	D32/37
D672,960 S *	12/2012	Turner	D3/304
D684,368 S *	6/2013	Stolzman	D3/304
D728,938 S *	5/2015	Vaccarella	A45C 3/04
				D3/304
D750,997 S *	3/2016	Pettigrew	D11/155
D755,520 S *	5/2016	Alves	D3/304
D775,830 S *	1/2017	Duvigneau	D3/304
D814,726 S *	4/2018	Jensen	D32/37
D820,722 S *	6/2018	Shaffer	D11/155
D831,920 S *	10/2018	Duvigneau	D32/37
D845,164 S *	4/2019	Harshman	D11/143

OTHER PUBLICATIONS

Facebook. IDel. Aug. 6, 2018. <https://www.facebook.com/idelsrl/photos/p.1829179867160855/1829179867160855/?type=1&theater> (Year: 2018).*

Amazon. Sharpex Elegant Flower Pot. Jan. 5, 2018. <https://www.amazon.in/Sharpex-Elegant-Advance-Technology-Regular/dp/B078V3FGYD> (Year: 2018).*

Amazon. Sharpex Elegant Flower Pot. Jan. 5, 2018. <https://amzn.to/2XmR5e8> (Year: 2018).*

* cited by examiner

Primary Examiner — Darcey E Gottschalk

(57) **CLAIM**

The ornamental design for decorative plant and flower pots, as shown and described.

DESCRIPTION

Fig. 1.1.: Front perspective

Fig. 1.2.: Bottom perspective

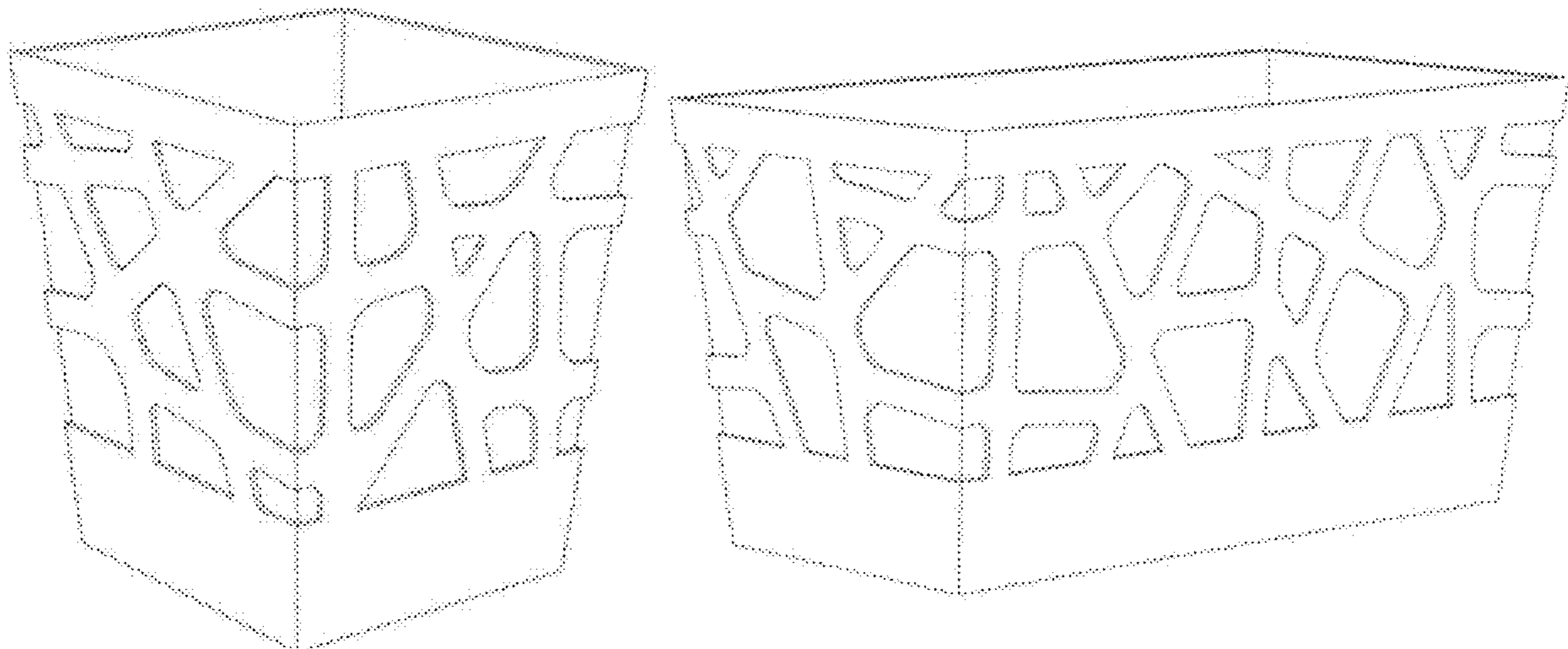
Fig. 1.3.: Top perspective

Fig. 2.1.: Front perspective

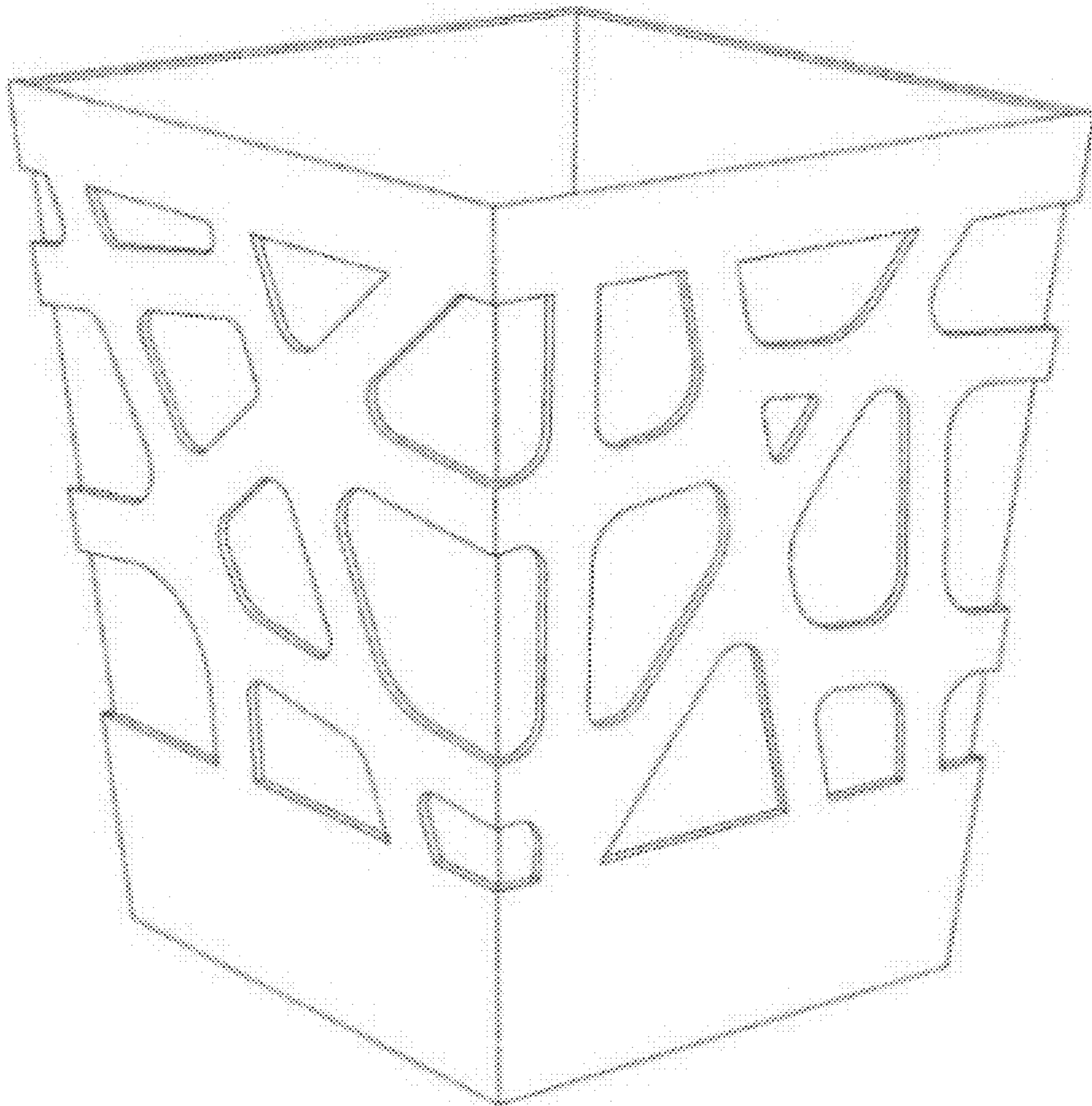
Fig. 2.2.: Bottom perspective

Fig. 2.3.: Top perspective

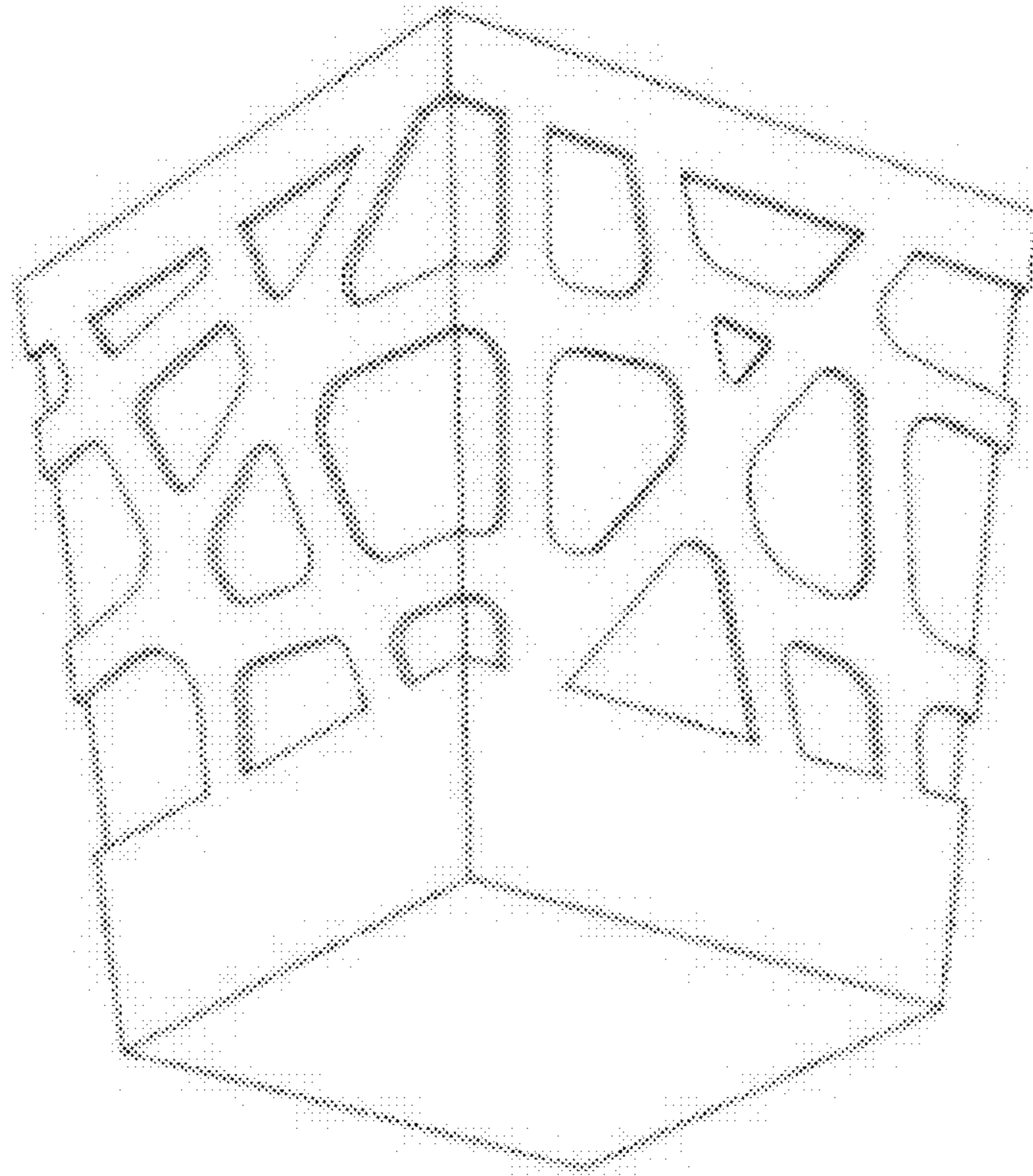
1 Claim, 6 Drawing Sheets



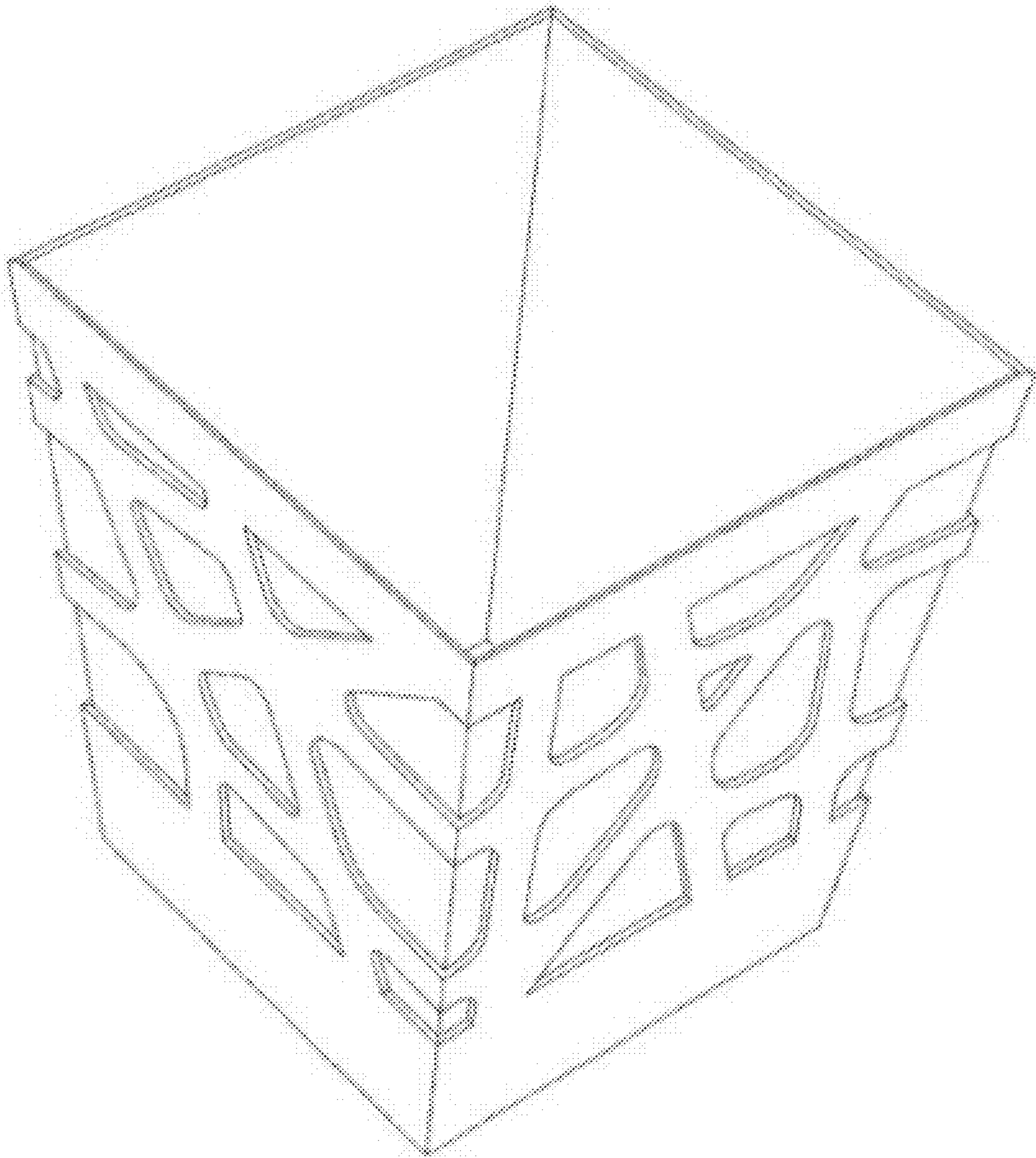
1.1



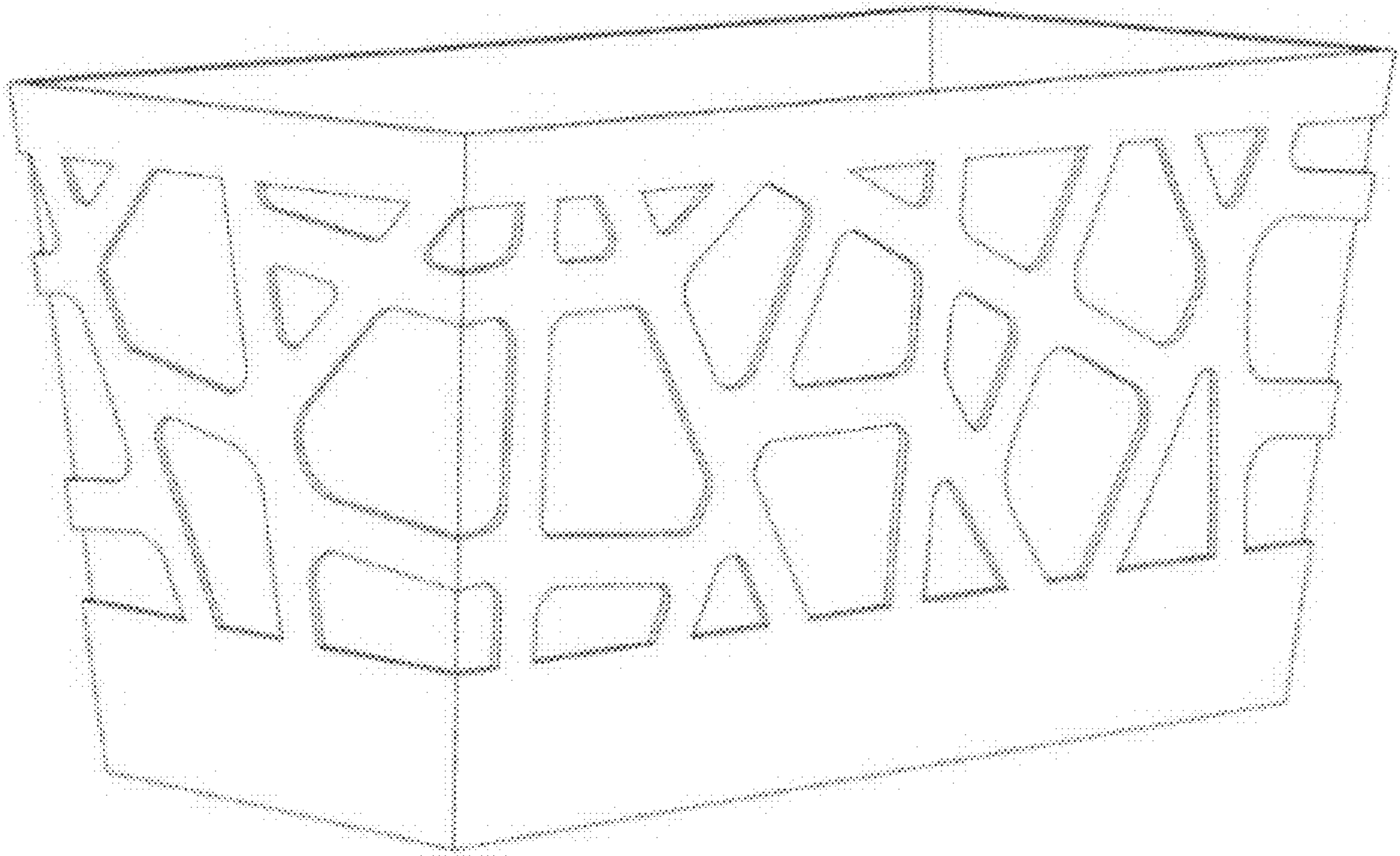
1.2



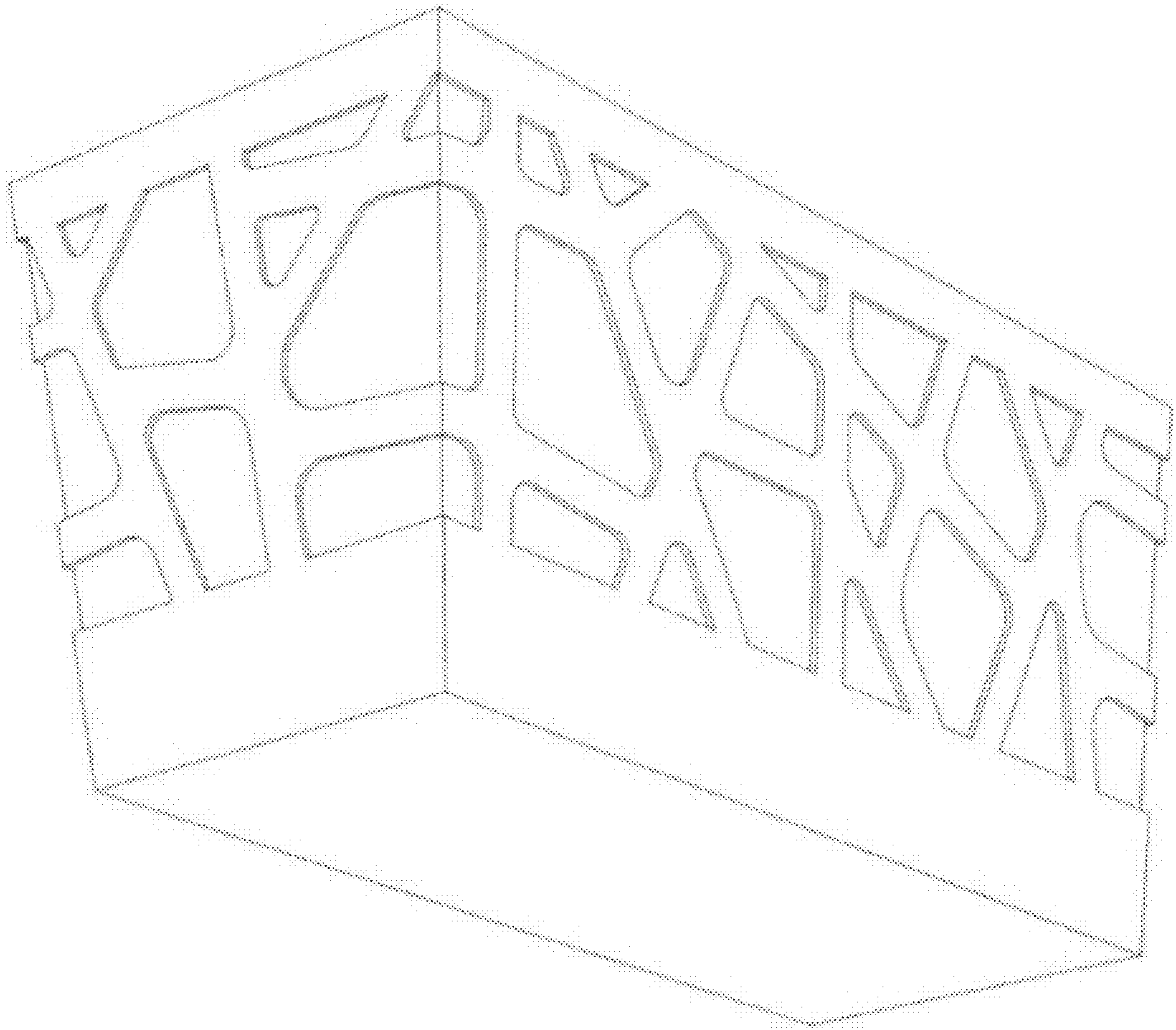
1.3



2.1



2.2



2.3

