

US00D875599S

(12) **United States Design Patent** (10) **Patent No.:** **US D875,599 S**
Keeble et al. (45) **Date of Patent:** **** Feb. 18, 2020**

(54) **PLANTING POT**

(71) Applicant: **THE HC COMPANIES, INC.**,
Twinsburg, OH (US)
(72) Inventors: **Drew Keeble**, Twinsburg, OH (US);
Doug Pettigrew, Wilsonville (CA)
(73) Assignee: **THE HC COMPANIES, INC.**,
Twinsburg, OH (US)

D514,390 S * 2/2006 Palder D7/602
D539,998 S ‡ 4/2007 Andrade D34/1
D552,319 S ‡ 10/2007 Gusdorf D11/143
D625,067 S ‡ 10/2010 Shannon D34/1
D627,218 S * 11/2010 Golota D9/424
D653,162 S ‡ 1/2012 Moore D11/155
D726,071 S ‡ 4/2015 Aoyama D11/155
D735,602 S ‡ 8/2015 Anderson D11/155
D750,997 S ‡ 3/2016 Pettigrew D11/155
D763,105 S ‡ 8/2016 Forowycz D9/759
D772,516 S ‡ 11/2016 Burt D11/144

(Continued)

(**) Term: **15 Years**

(21) Appl. No.: **29/698,980**

(22) Filed: **Jul. 22, 2019**

Related U.S. Application Data

(62) Division of application No. 29/656,010, filed on Jul. 10, 2018, now Pat. No. Des. 870,593.

(51) **LOC (12) Cl.** **11-05**

(52) **U.S. Cl.**
USPC **D11/155; D11/143**

(58) **Field of Classification Search**
USPC D11/143, 144, 146, 145, 148, 149, 151,
D11/152, 153, 154, 155, 156, 164;
D6/405, 558; D8/1; D3/303
CPC A01G 31/02; A01G 9/12; Y02P 60/216
See application file for complete search history.

(56) **References Cited**

U.S. PATENT DOCUMENTS

1,627,282 A ‡ 5/1927 Gran B65F 1/02
220/4.33
5,050,755 A * 9/1991 Strawder B65D 21/0202
220/23.4
D404,231 S * 1/1999 Woodring D3/313
D439,839 S * 4/2001 Wolf D9/425
D473,463 S ‡ 4/2003 Armstrong D9/431
D480,326 S ‡ 10/2003 Carlson D11/155

OTHER PUBLICATIONS

The HC Companies website, 4.50 Square Quick Lock Pot w/Wave Lock, Publication date unknown, [site visited Jun. 22, 2019], Available on the Internet URL <https://hc-companies.com/product/square-quick-lock-pot-w-tagslot/> (Year: 2019).‡

Primary Examiner — Karen S Acker

Assistant Examiner — Steven B Reinholdt, Jr.

(74) *Attorney, Agent, or Firm* — Tucker Ellis LLP

(57) **CLAIM**

The ornamental design for a planting pot, as shown and described.

DESCRIPTION

FIG. 1 is a front-left-top perspective view of a planting pot showing our new design.

FIG. 2 is a rear-left-top perspective view thereof.

FIG. 3 is a front-left-bottom perspective view thereof.

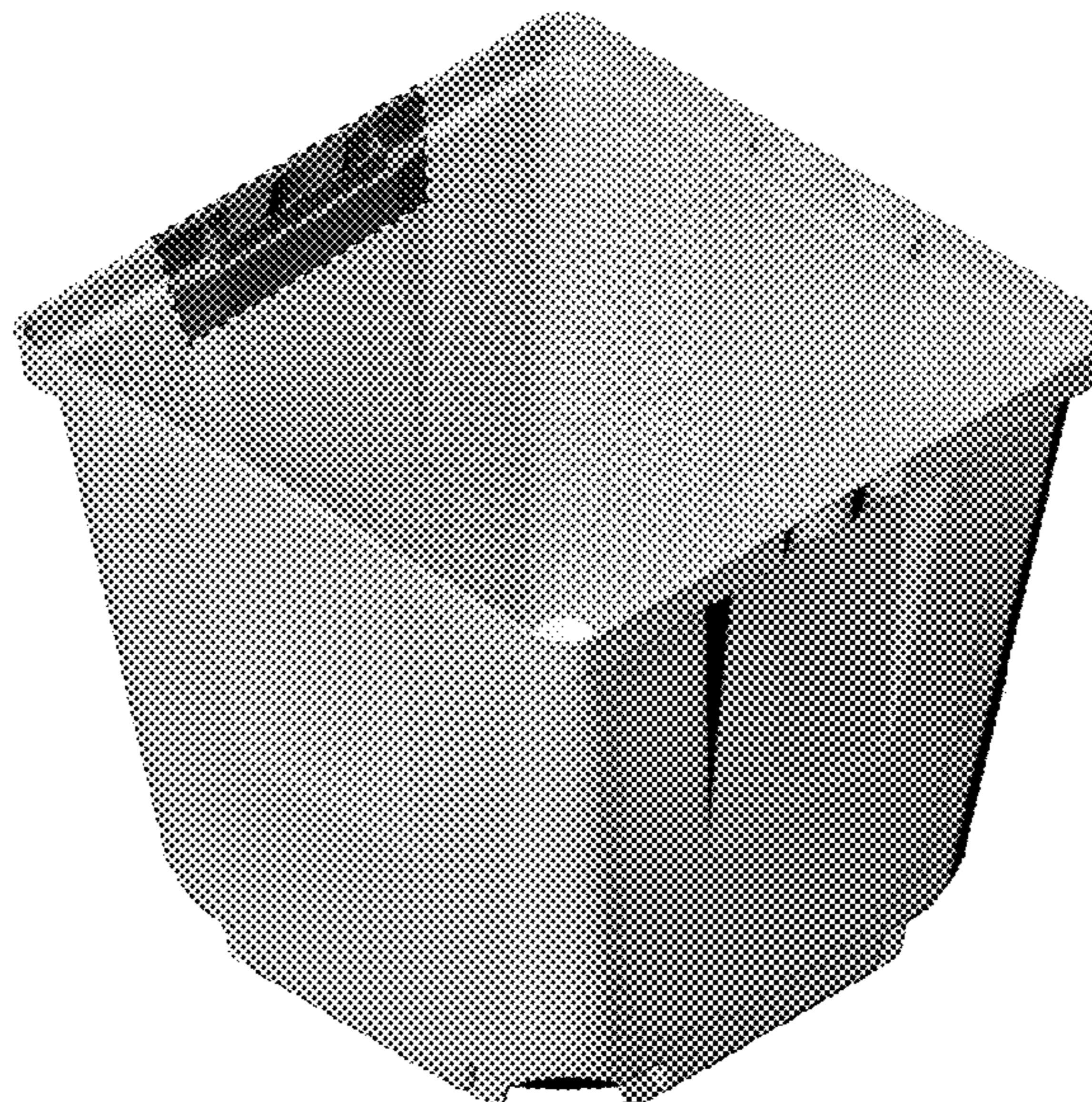
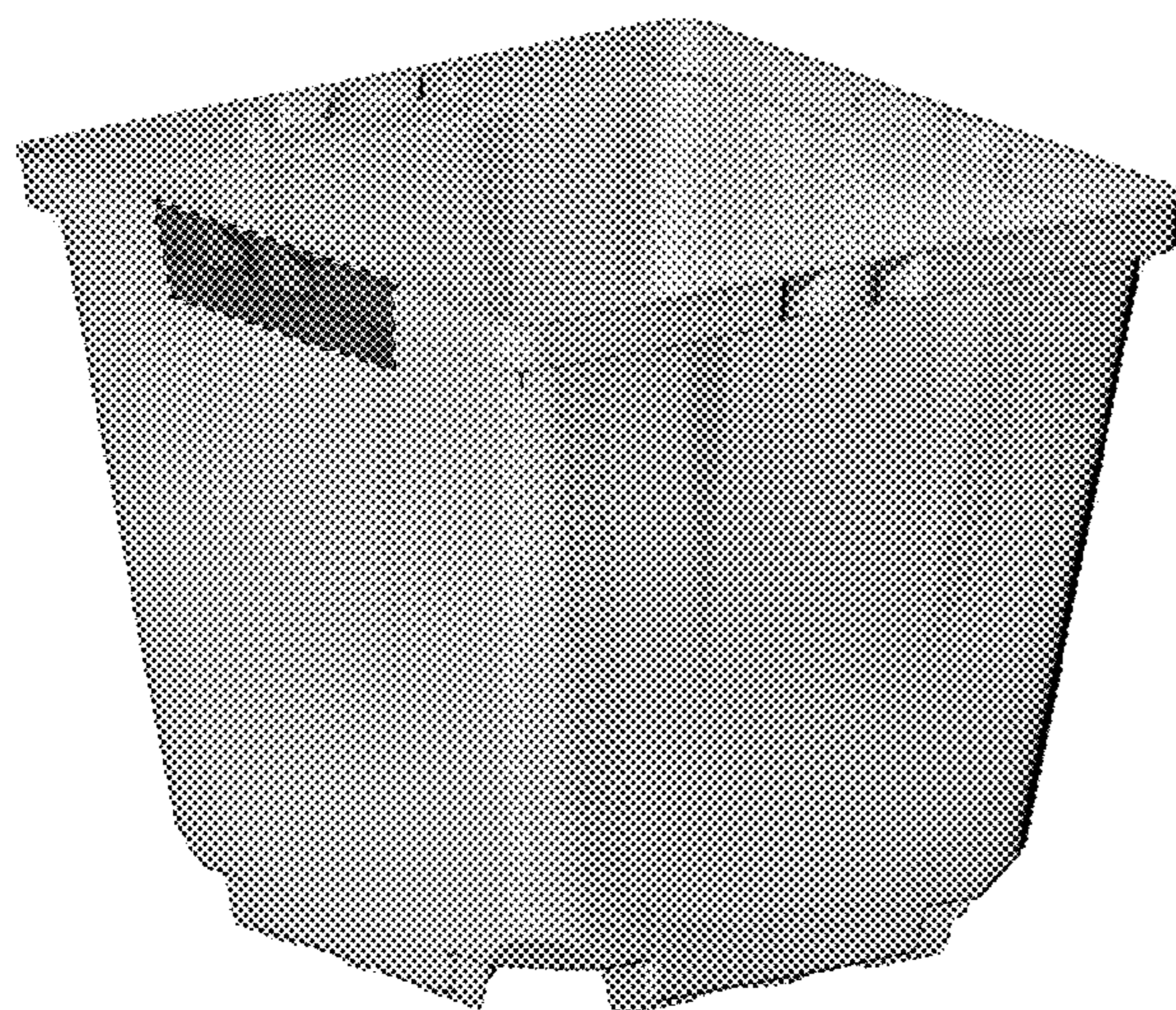
FIG. 4 is a front view thereof.

FIG. 5 is a top view thereof; and,

FIG. 6 is a bottom view thereof.

The broken lines are boundaries to the claim and form no part thereof. The de-emphasized portions surrounding the broken lines depict portions of the planting pot that form no part of the claimed design.

1 Claim, 6 Drawing Sheets



(56)

References Cited

U.S. PATENT DOCUMENTS

D820,151	S	‡	6/2018	Itzhak-Sigron	D11/155
D830,893	S	‡	10/2018	Thuma	D11/155
10,470,378	B2	*	11/2019	Shaffer	A01G 9/0291
2010/0252557	A1	‡	10/2010	Clements	B65F 1/06 220/495.06
2016/0150741	A1	*	6/2016	Au	A01G 9/029 47/65.7
2018/0242533	A1	‡	8/2018	Quinlan	A01G 9/021

* cited by examiner

‡ imported from a related application

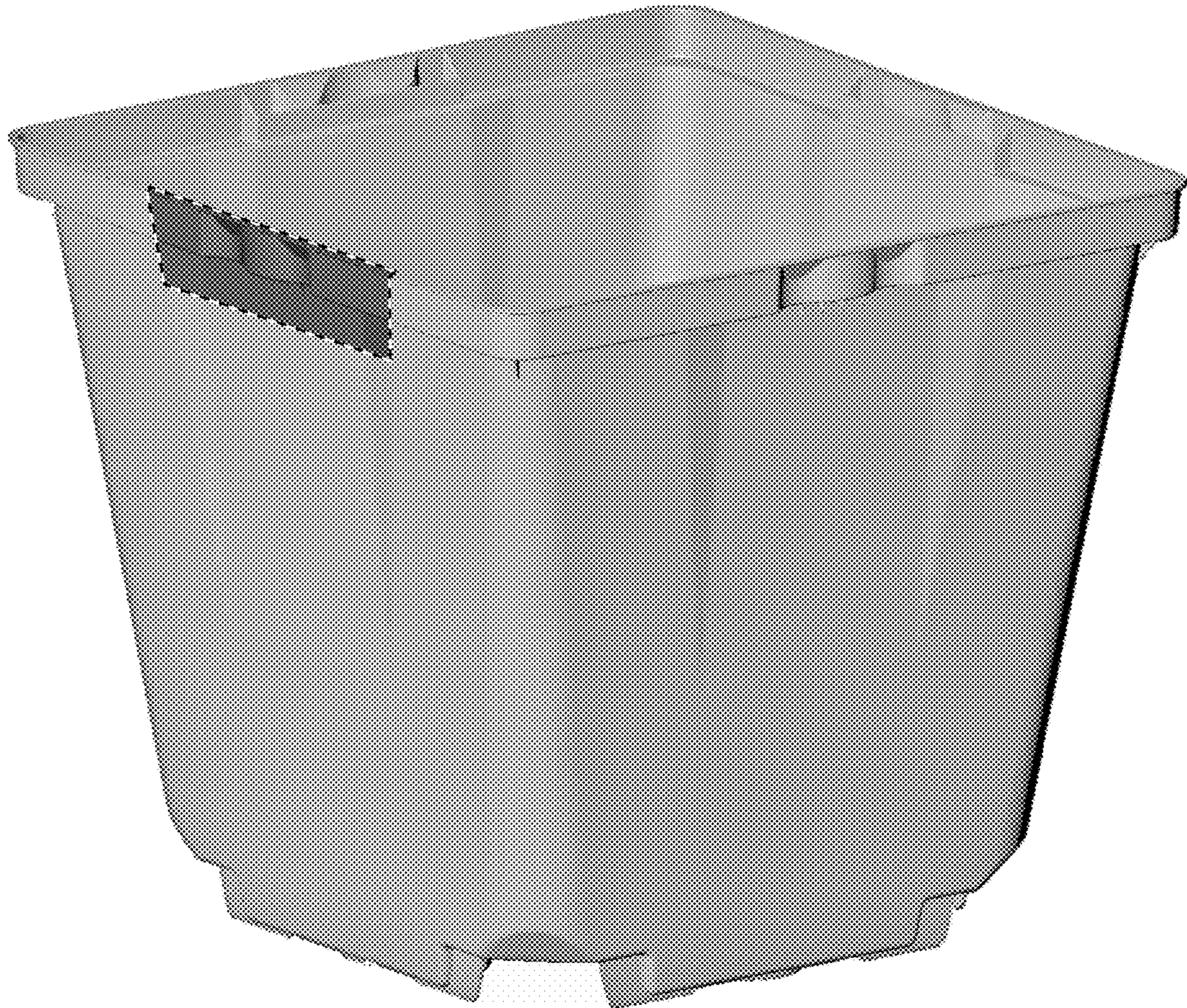


FIG. 1

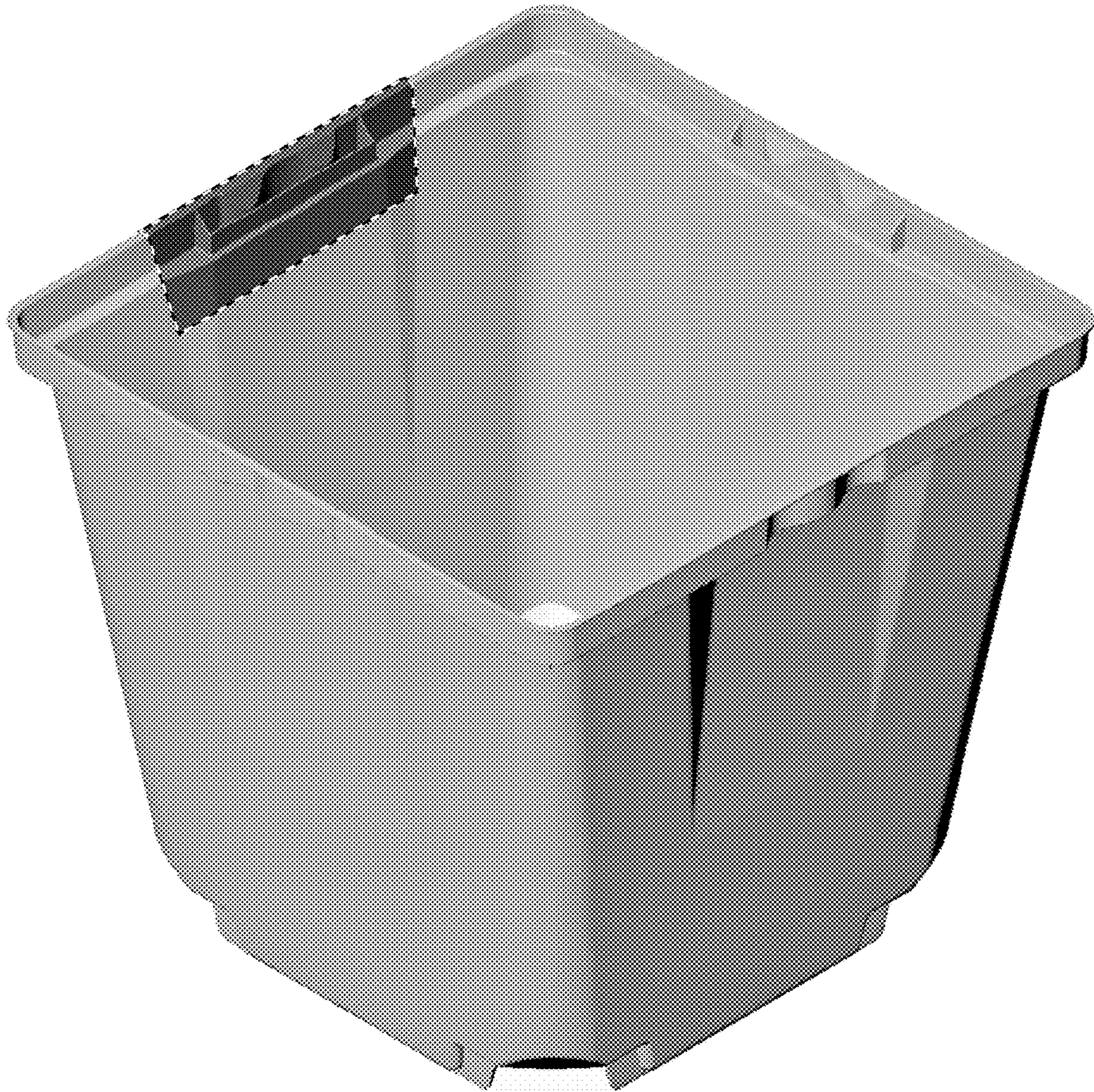


FIG. 2

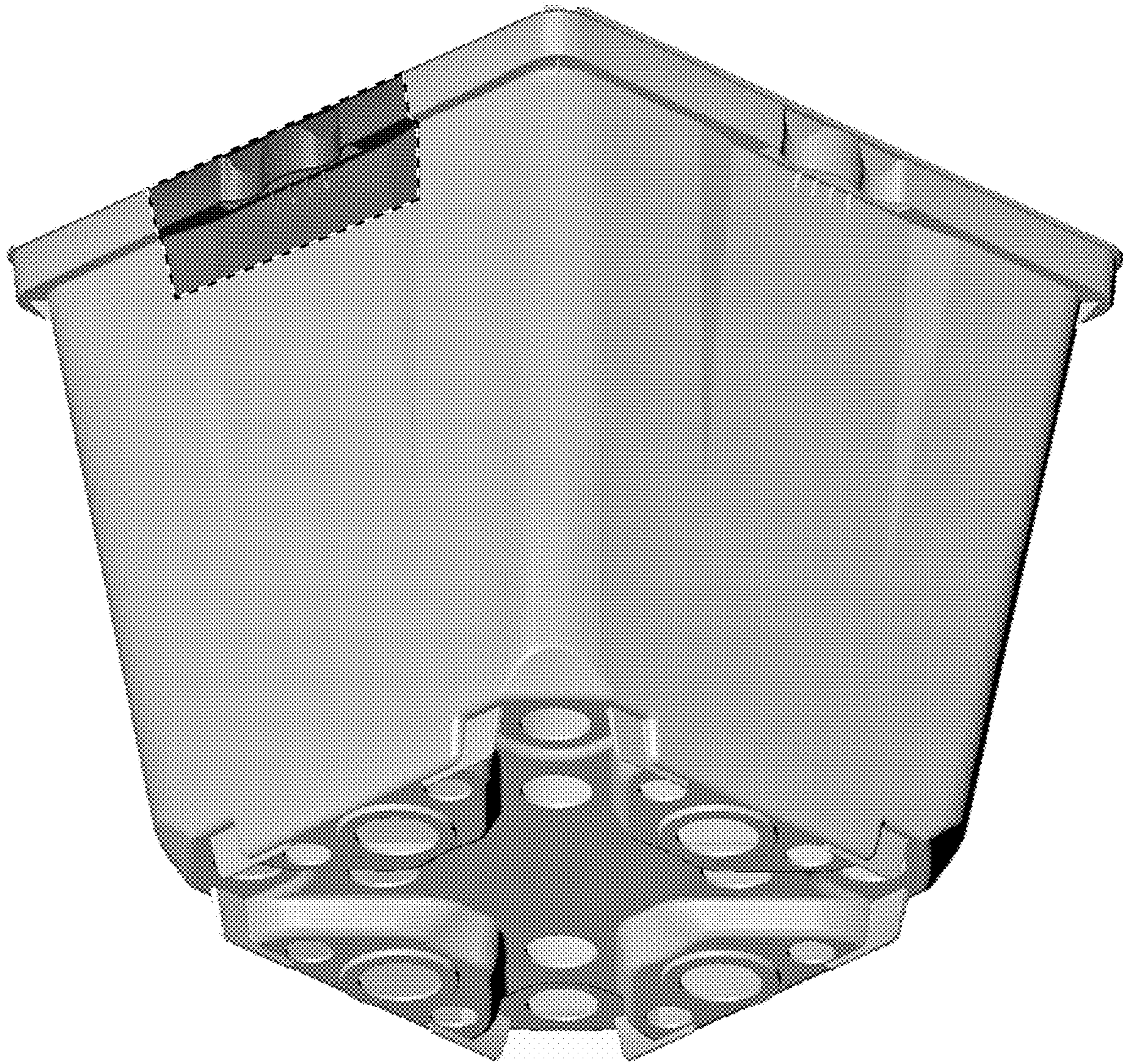


FIG. 3

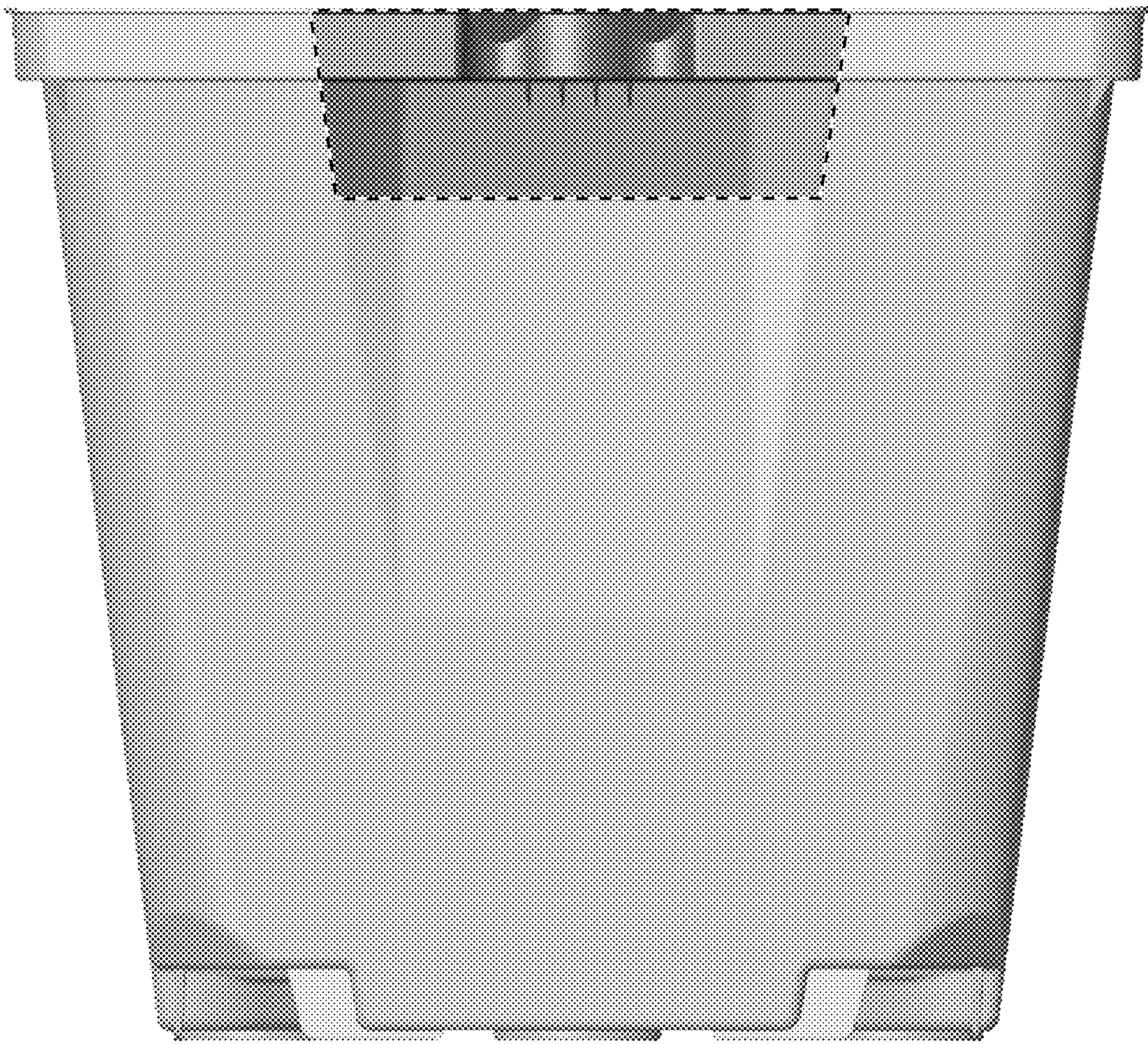


FIG. 4

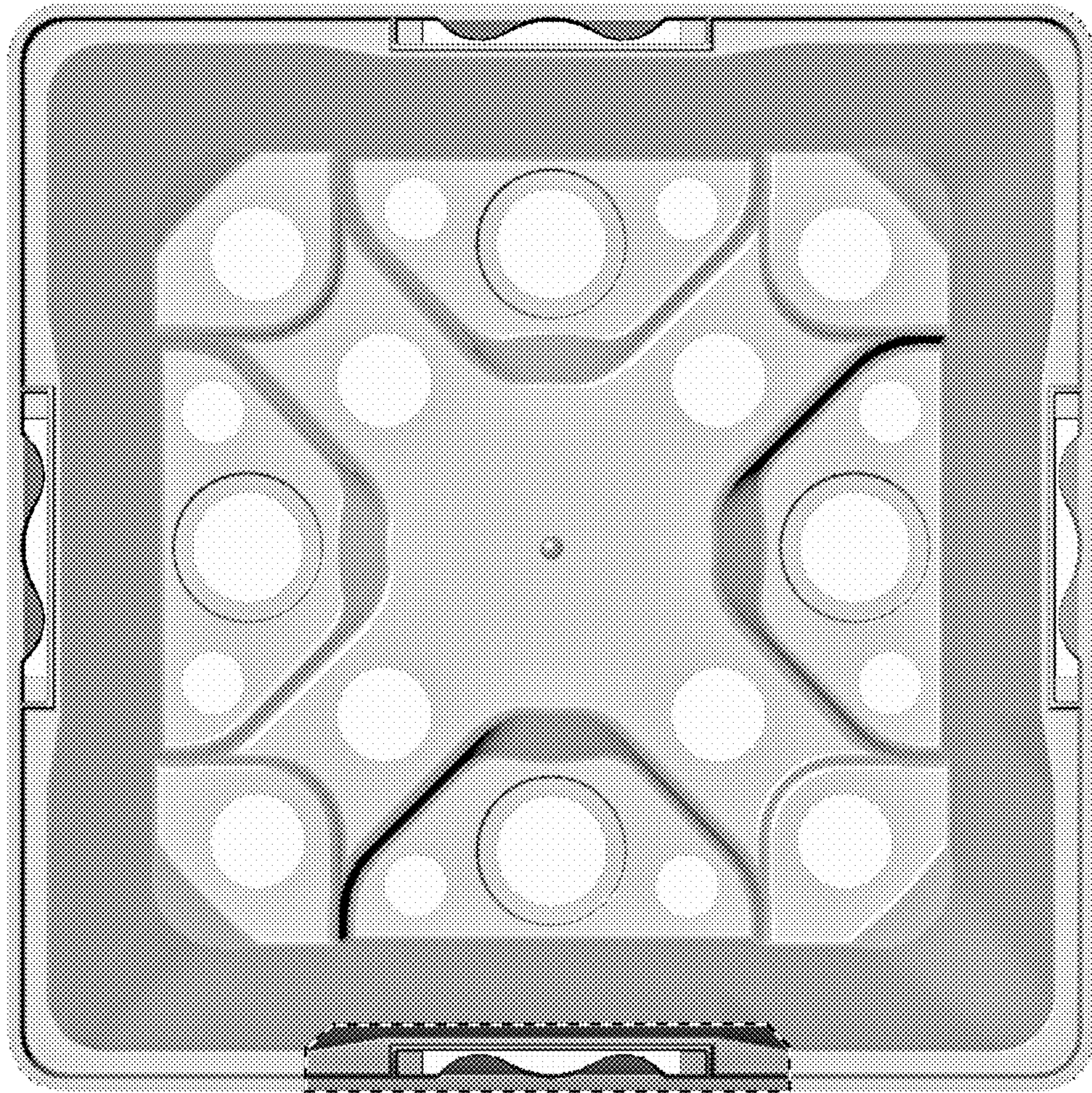


FIG. 5

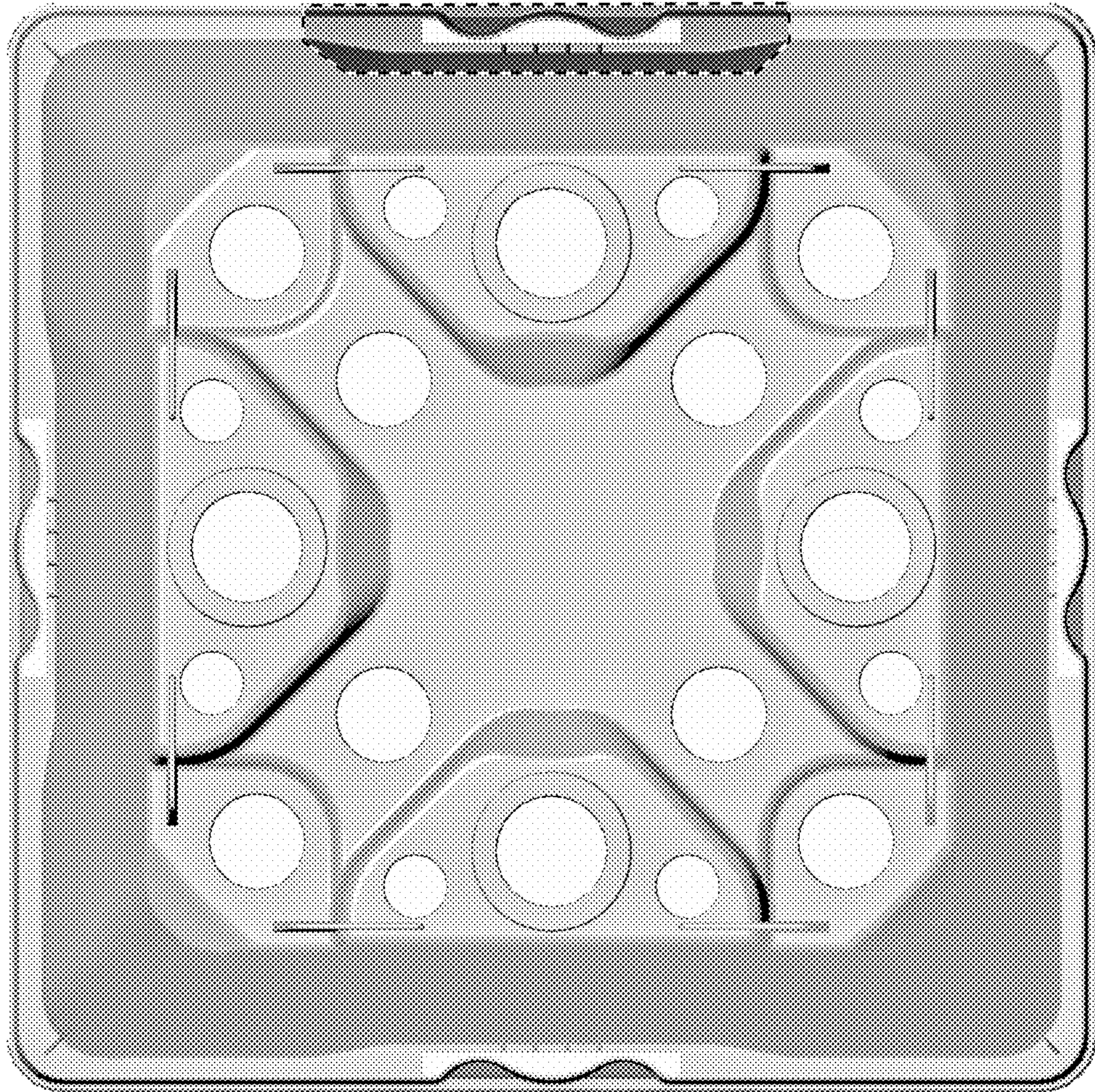


FIG. 6