



US00D875589S

(12) **United States Design Patent**
Yu

(10) **Patent No.:** **US D875,589 S**

(45) **Date of Patent:** **** Feb. 18, 2020**

(54) **MOUNTABLE LED LIGHTING APPARATUS COVER**

(71) Applicant: **S2B Inc.**, Ontario, CA (US)

(72) Inventor: **Wang Chen Yu**, Shenzhen (CN)

(73) Assignee: **S2B, Inc.**, Ontario, CA (US)

(**) Term: **15 Years**

(21) Appl. No.: **29/628,979**

(22) Filed: **Dec. 9, 2017**

(51) **LOC (12) Cl.** **10-05**

(52) **U.S. Cl.**
USPC **D10/114.4**

(58) **Field of Classification Search**
USPC D26/28, 35, 118, 120; D10/114.3, 114.4, D10/114.5
CPC B60Q 1/04; F21S 8/026; F21S 8/04; F21V 29/004; F21V 21/02; F21V 21/04; F21V 29/2212; F21Y 2101/02
See application file for complete search history.

(56) **References Cited**

U.S. PATENT DOCUMENTS

D180,535 S * 6/1957 Stevens D26/24
D617,227 S * 6/2010 Cai D10/114.4
D617,228 S * 6/2010 Shin D10/114.4
D700,098 S * 2/2014 Deyaf D10/114.4
D727,558 S * 4/2015 Tang D26/120
D751,445 S * 3/2016 Goltche D10/114.4

D752,466 S * 3/2016 Deyaf D10/114.4
D760,416 S * 6/2016 Hoch D26/118
D795,113 S * 8/2017 Kuo D10/114.4
D823,150 S * 7/2018 Yu D10/114.4

* cited by examiner

Primary Examiner — Brian N. Vinson

(74) *Attorney, Agent, or Firm* — David T. Bennett

(57) **CLAIM**

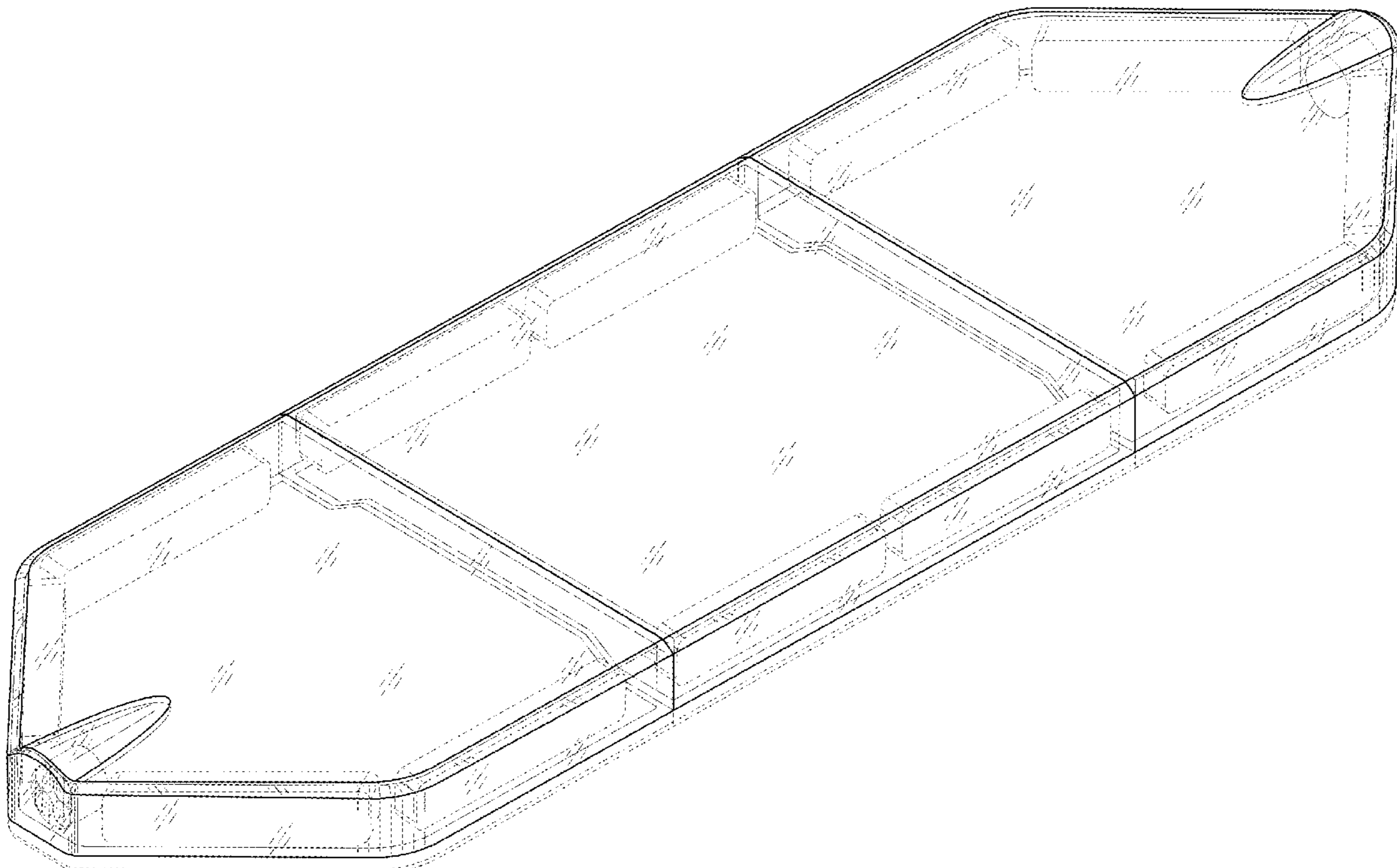
The ornamental design for a mountable LED lighting apparatus cover, as shown and described herein.

DESCRIPTION

FIG. 1 is an elevation perspective view of various upper surfaces and sides of a mountable LED lighting apparatus cover showing the new design;
FIG. 2 is a top plan view thereof;
FIG. 3 is a bottom plan view thereof;
FIG. 4 is a lengthwise side plan view thereof;
FIG. 5 is a widthwise side plan view thereof; and,
FIG. 6 is a slight elevation perspective view of multiple sides thereof.

The broken line showing of internal lighting elements include a plurality of LED's for the mountable LED lighting apparatus cover that provide illumination through the apparatus cover and the broken line showing of supporting elements provide a mounting support for the apparatus cover are included. The mountable LED lighting apparatus cover can be coupled with the supporting elements and mounted to a portion of a vehicle, such as on a vehicle roof, and the broken line internal lighting and supporting elements form no part of the claimed design.

1 Claim, 5 Drawing Sheets



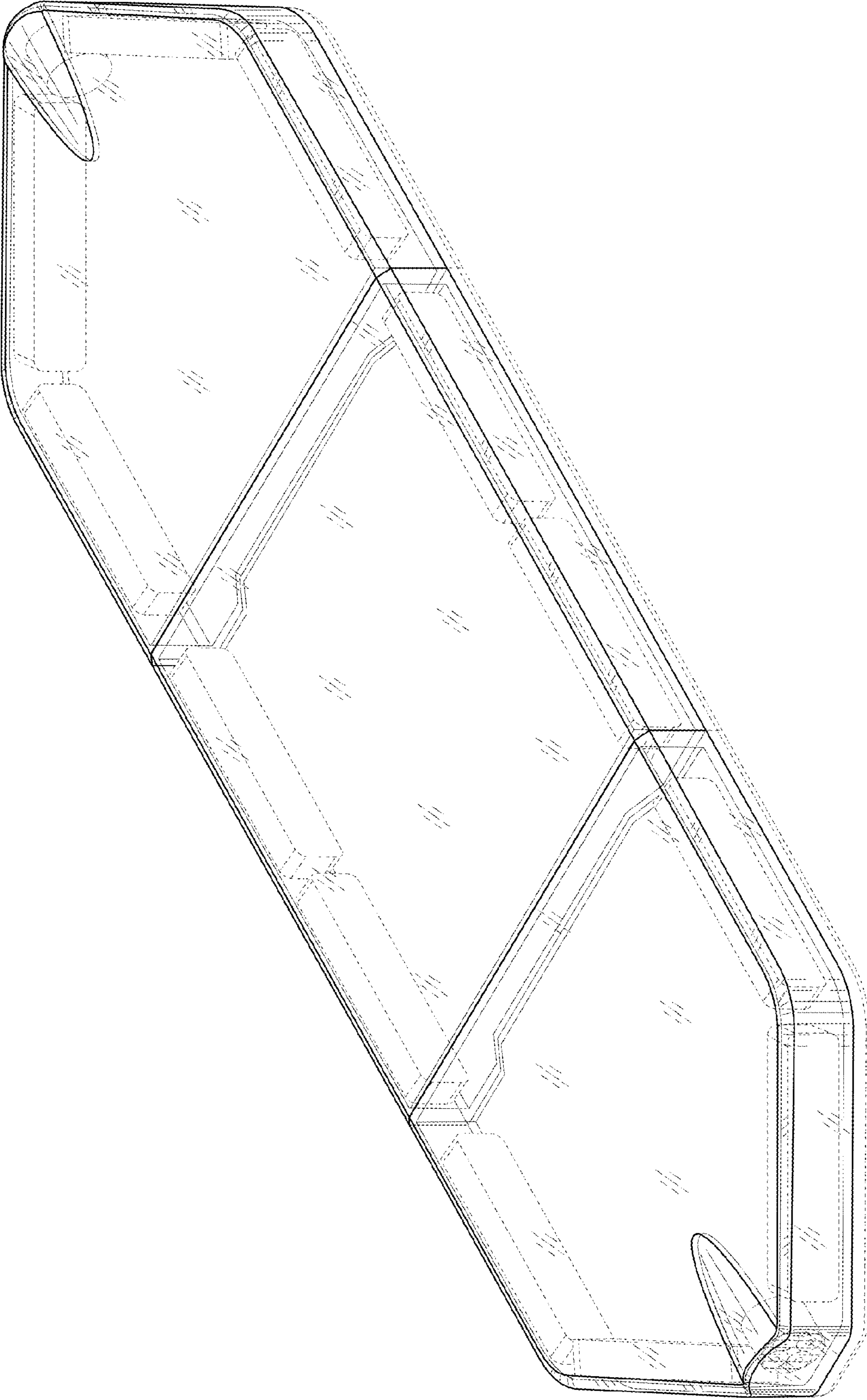


FIG. 1

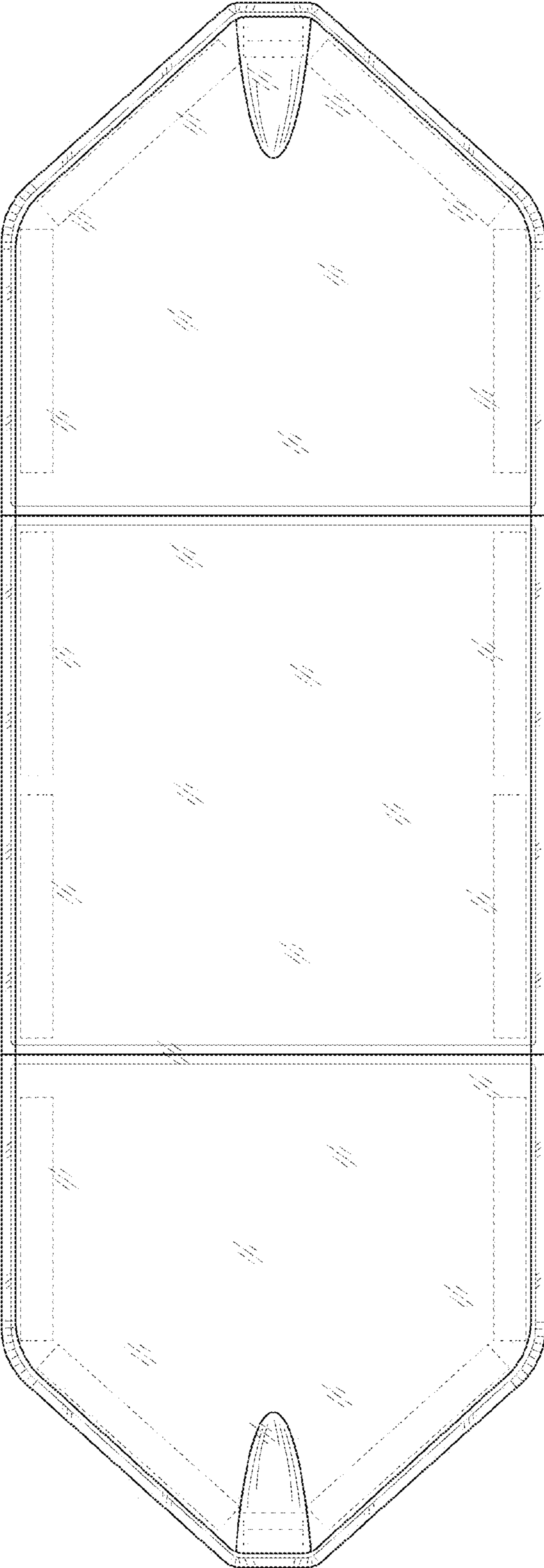


FIG. 2

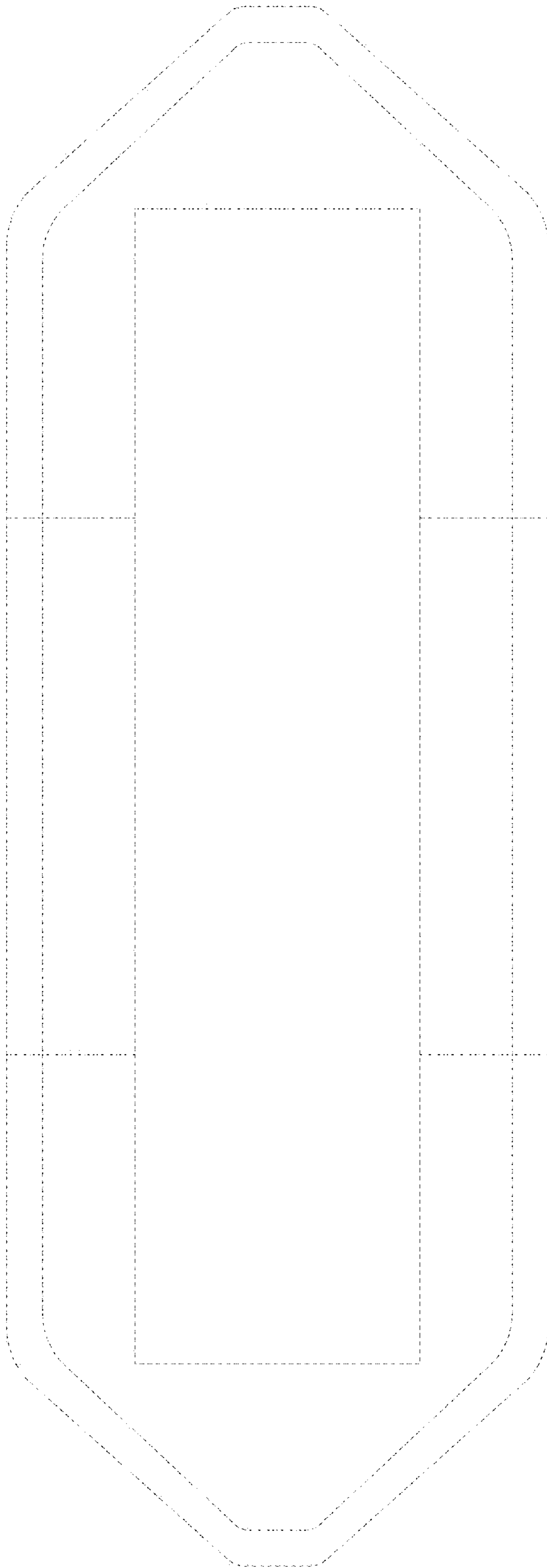


FIG. 3

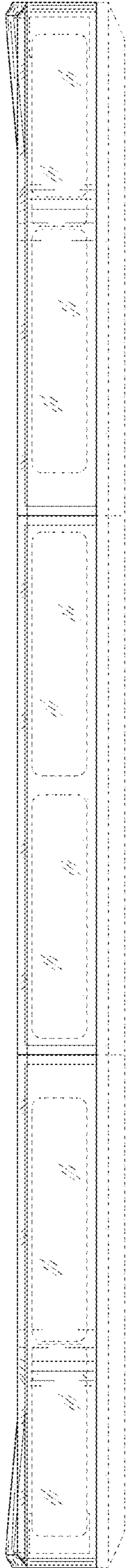


FIG. 4

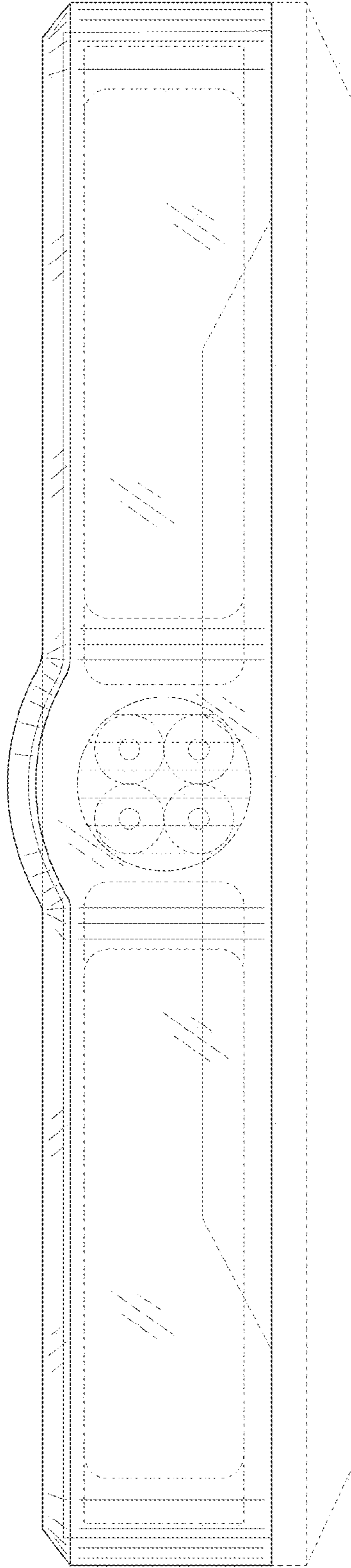


FIG. 5

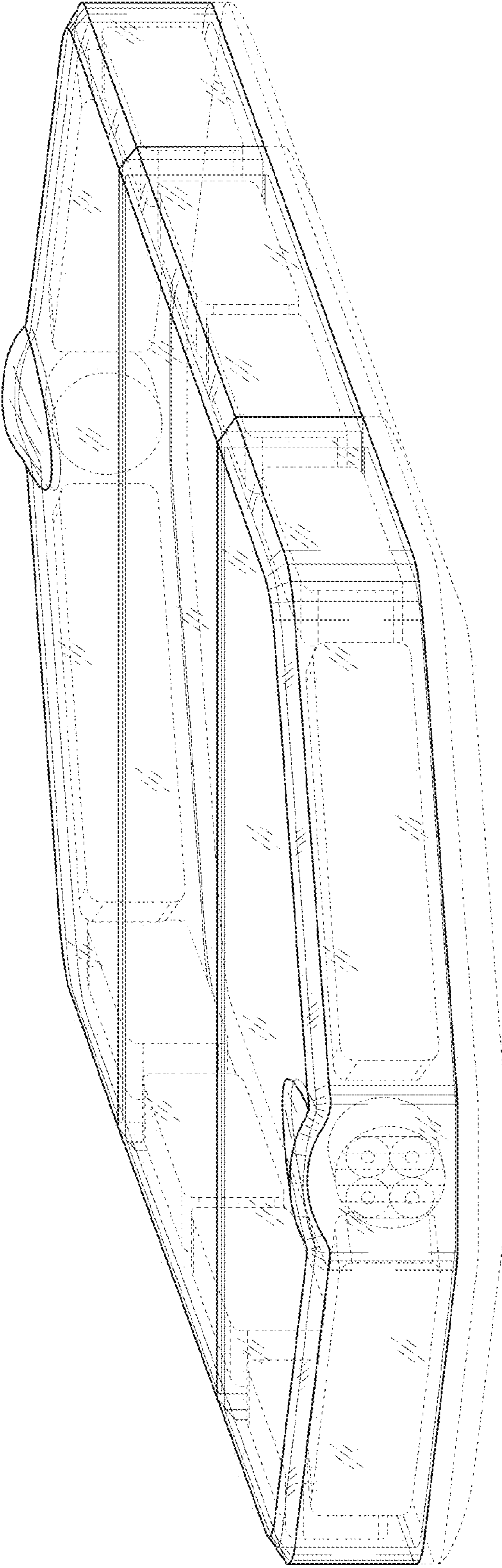


FIG. 6