



US00D875585S

(12) **United States Design Patent**  
**Cartwright et al.**

(10) **Patent No.:** **US D875,585 S**

(45) **Date of Patent:** **\*\* Feb. 18, 2020**

(54) **STANDING SCALE**

(71) Applicant: **ILLINOIS TOOL WORKS INC.**,  
Glenview, IL (US)

(72) Inventors: **Kevin R. Cartwright**, Birmingham  
(GB); **Ian D. Taylor**, Warwickshire  
(GB); **Anita Brinsdon**, Birmingham  
(GB); **Hugh A. Connell**, Worcestershire  
(GB)

(73) Assignee: **ILLINOIS TOOL WORKS INC.**,  
Glenview, IL (US)

(\*\*) Term: **15 Years**

(21) Appl. No.: **29/660,450**

(22) Filed: **Aug. 21, 2018**

(30) **Foreign Application Priority Data**

Feb. 23, 2018 (EM) ..... 004723492

(51) **LOC (12) Cl.** ..... **10-04**

(52) **U.S. Cl.**  
USPC ..... **D10/94**

(58) **Field of Classification Search**  
USPC ..... D10/93  
CPC .... G01G 21/28; G01G 21/283; G01G 21/286;  
G01G 21/30; G01G 23/37; G01G  
23/3728; G01G 23/3735; G01G 19/44;  
G01G 19/445; G01G 19/46; G01G 19/48;  
G01G 19/50; G01G 21/44

See application file for complete search history.

(56) **References Cited**

**U.S. PATENT DOCUMENTS**

D390,796 S 2/1998 Germanton  
D480,655 S \* 10/2003 Medugorac ..... D10/91  
D504,631 S 5/2005 Perlman  
D743,823 S 11/2015 Taylor  
D746,708 S 1/2016 Yang

D774,929 S 12/2016 Pan  
D778,748 S 2/2017 Nugent  
D781,165 S 3/2017 Rouillac  
D796,361 S 9/2017 Bihan  
D801,837 S 11/2017 Tsai  
D802,458 S 11/2017 Lorenzen

(Continued)

*Primary Examiner* — Antoine Duval Davis

(74) *Attorney, Agent, or Firm* — Thompson Hine LLP

(57) **CLAIM**

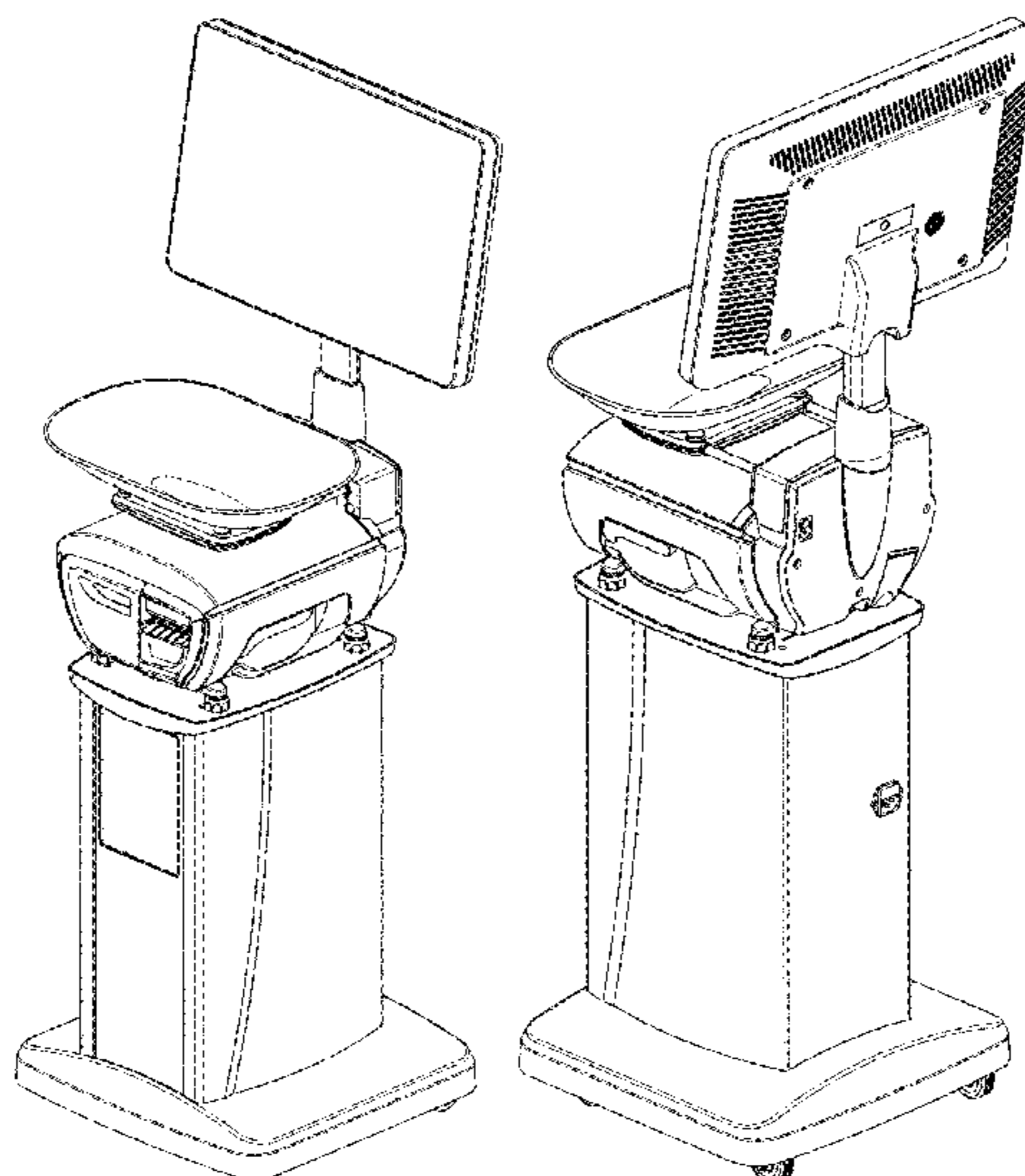
The ornamental design for a standing scale, as shown and described.

**DESCRIPTION**

FIG. 1 is a perspective of a standing scale;  
FIG. 2 is another perspective view of the standing scale;  
FIG. 3 is a front view of the standing scale;  
FIG. 4 is a rear view of the standing scale;  
FIG. 5 is a right side view of the standing scale;  
FIG. 6 is a left side view of the standing scale;  
FIG. 7 is a top view of the standing scale;  
FIG. 8 is a perspective of a standing scale;  
FIG. 9 is another perspective view of the standing scale;  
FIG. 10 is a front view of the standing scale;  
FIG. 11 is a rear view of the standing scale;  
FIG. 12 is a right side view of the standing scale;  
FIG. 13 is a left side view of the standing scale;  
FIG. 14 is a top view of the standing scale;  
FIG. 15 is a perspective of a standing scale;  
FIG. 16 is another perspective view of the standing scale;  
FIG. 17 is a front view of the standing scale;  
FIG. 18 is a rear view of the standing scale;  
FIG. 19 is a right side view of the standing scale;  
FIG. 20 is a left side view of the standing scale; and,  
FIG. 21 is a top view of the standing scale.

In connection with the design(s), the bottom portion of the devices is not visible during ordinary use and form no part of the claimed design.

**1 Claim, 21 Drawing Sheets**



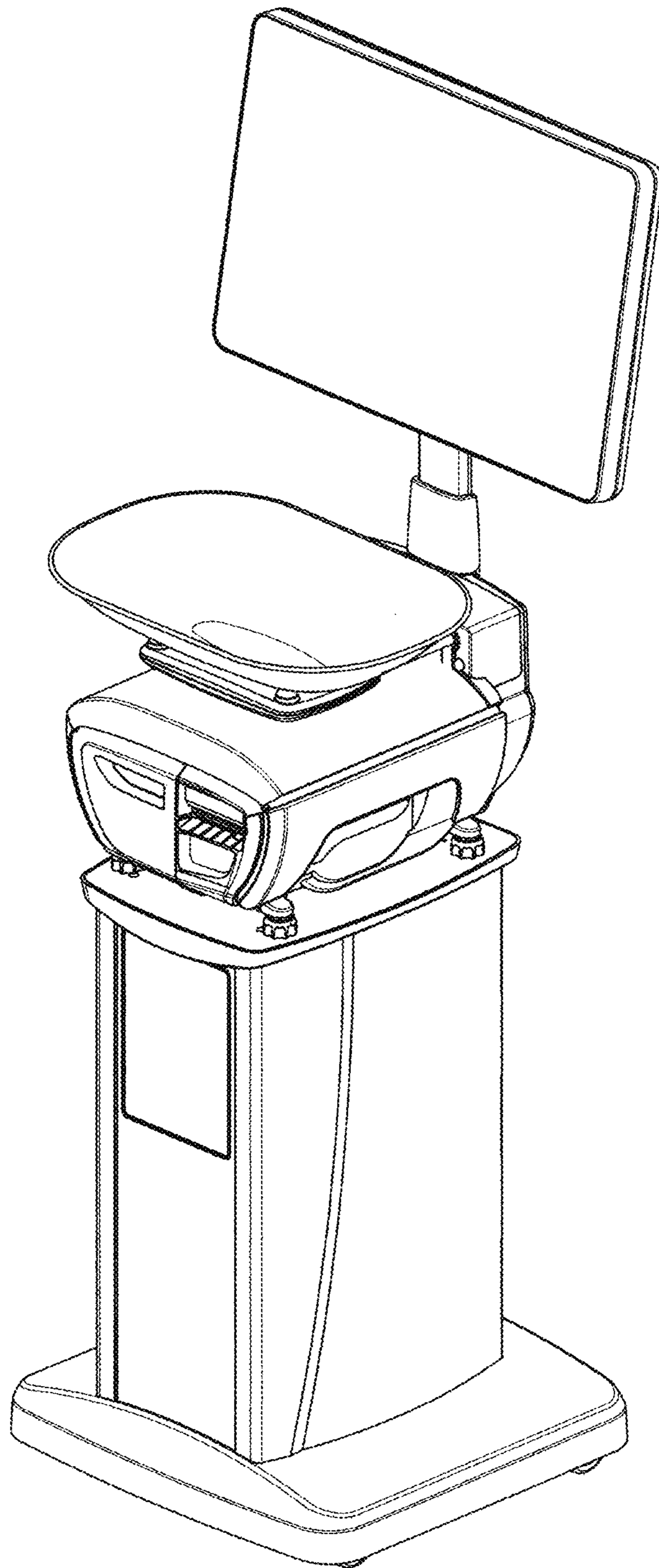
(56)

**References Cited**

U.S. PATENT DOCUMENTS

D812,503 S	3/2018	Garner
D813,067 S	3/2018	Holland
D817,797 S	5/2018	Huckestein
D818,858 S	5/2018	Wurts
D818,859 S	5/2018	Smith
D819,122 S	5/2018	Lorenzen
D820,132 S	6/2018	Zong

\* cited by examiner



*Fig. 1*

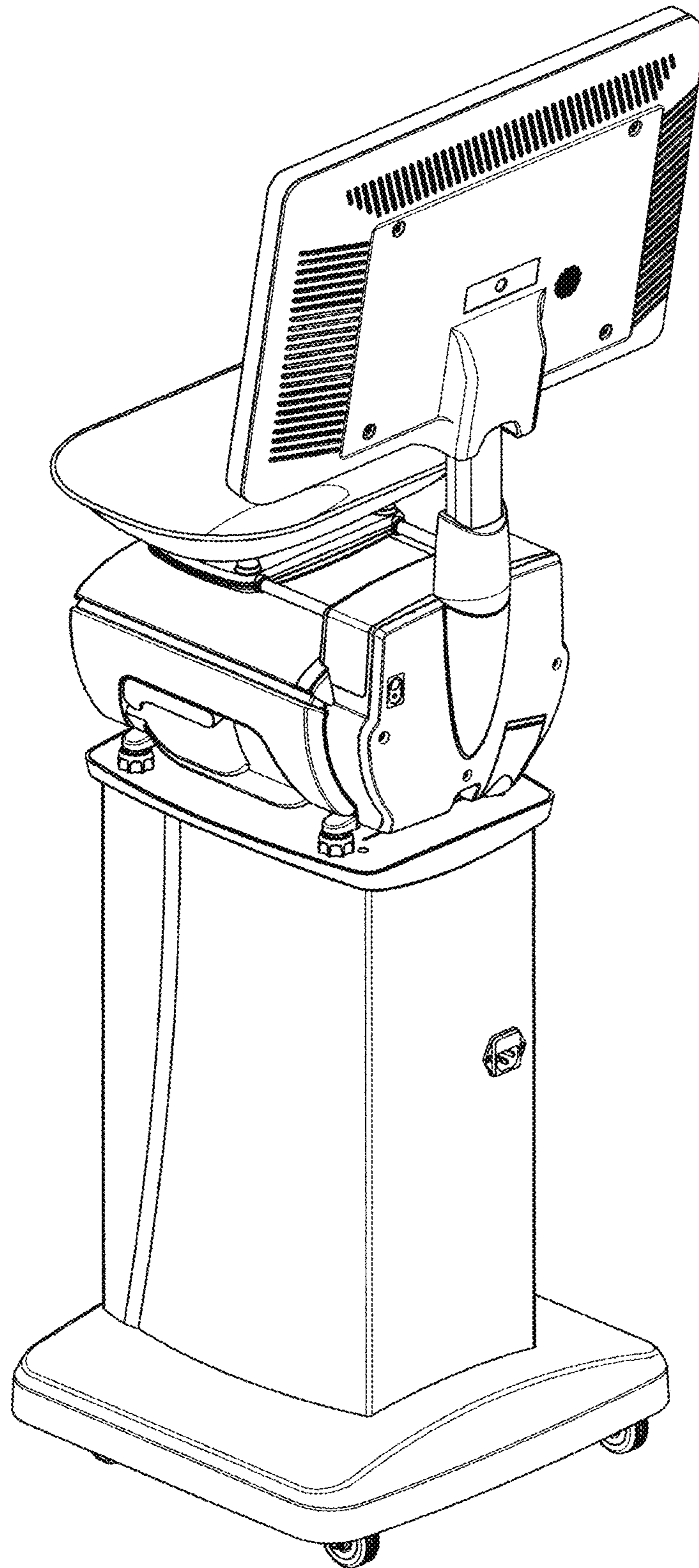
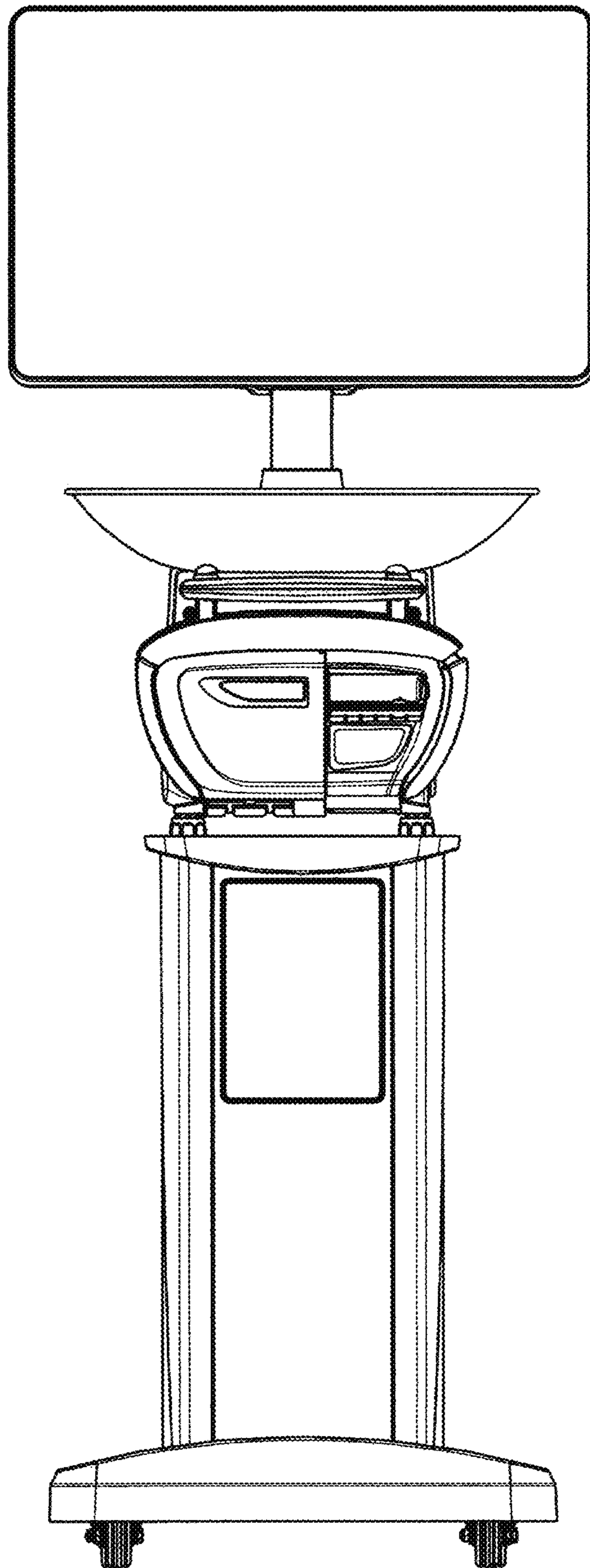


Fig. 2



*Fig. 3*

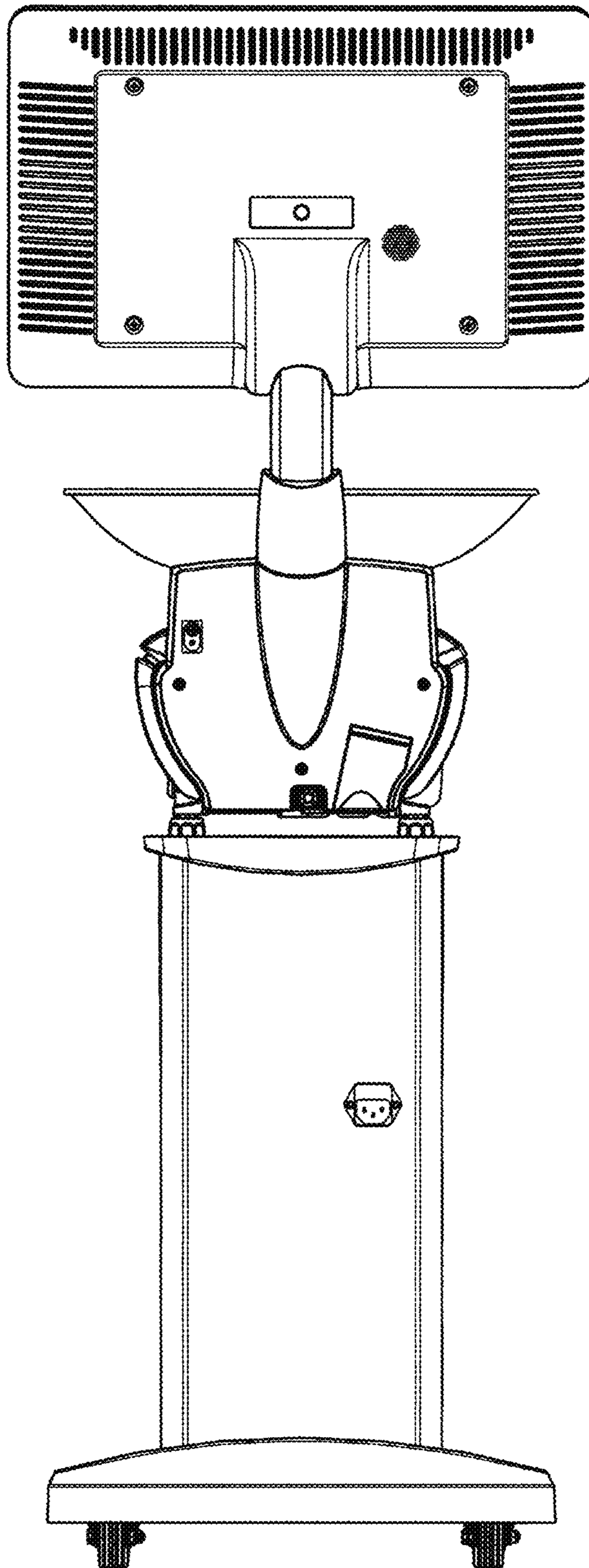
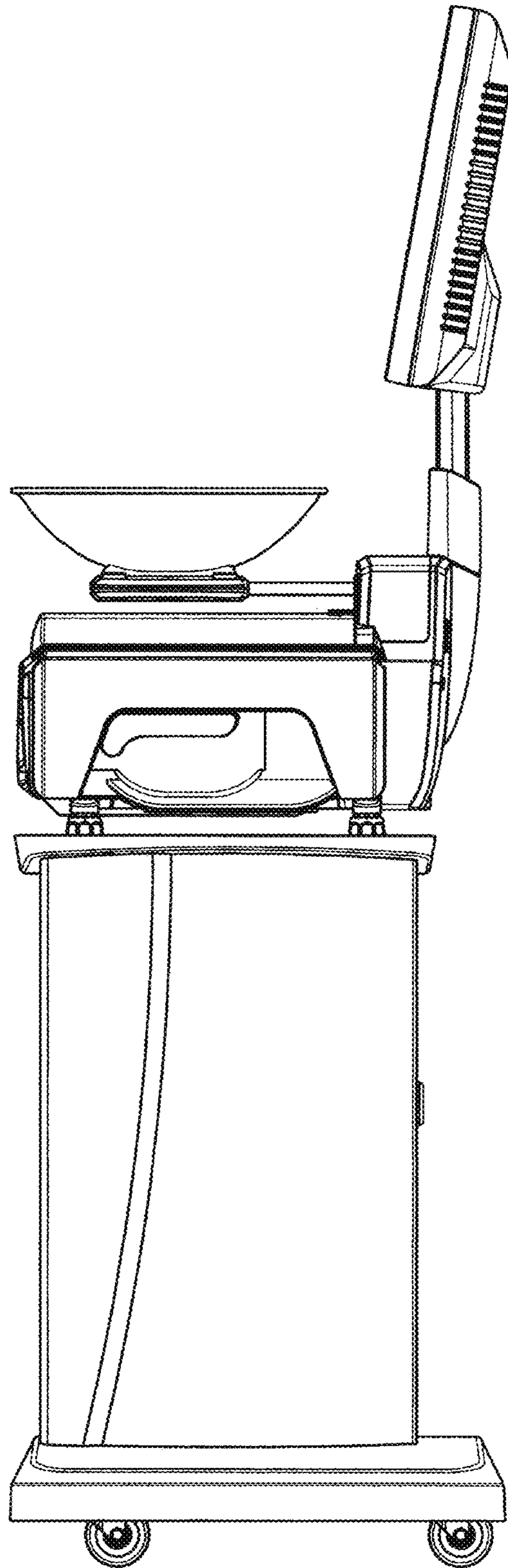


Fig. 4



*Fig. 5*

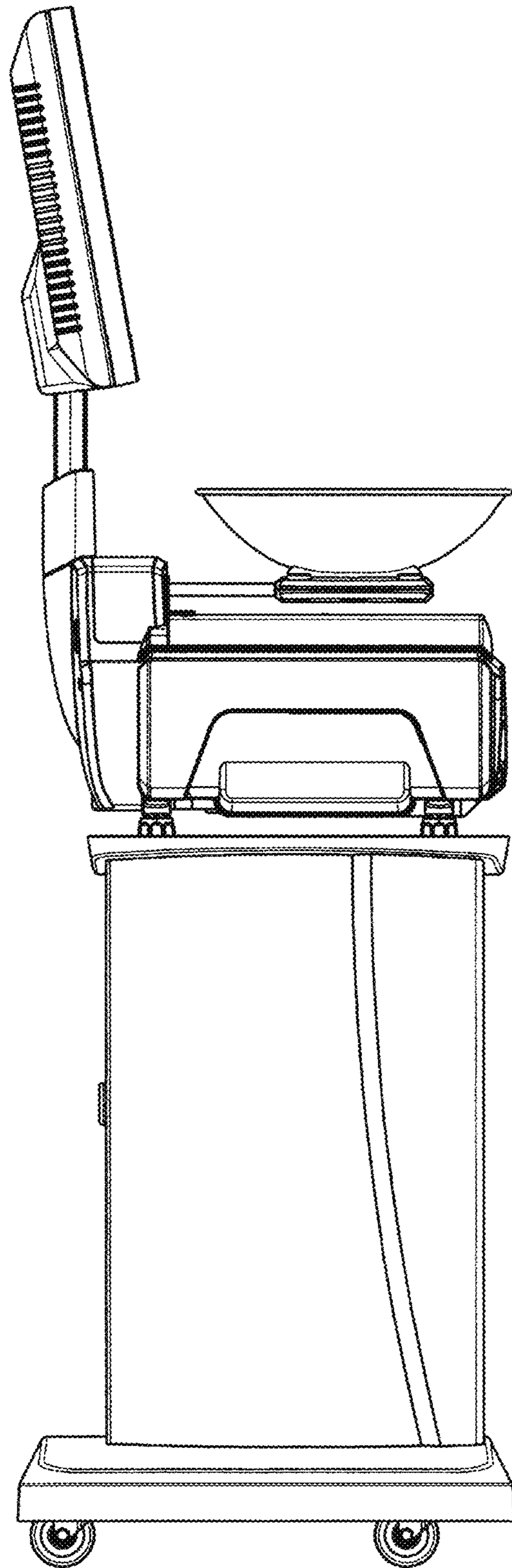
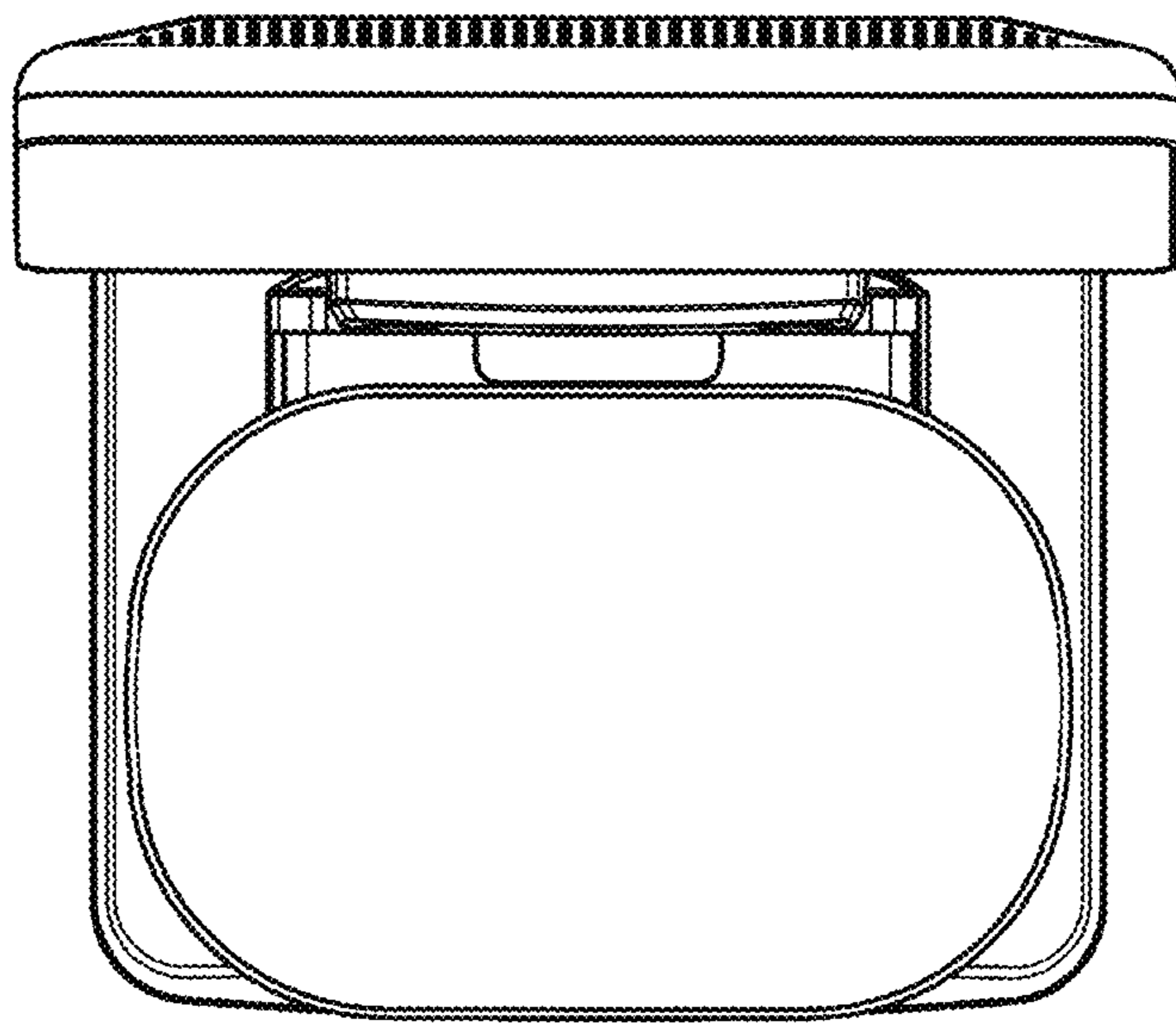


Fig. 6





*Fig. 7*

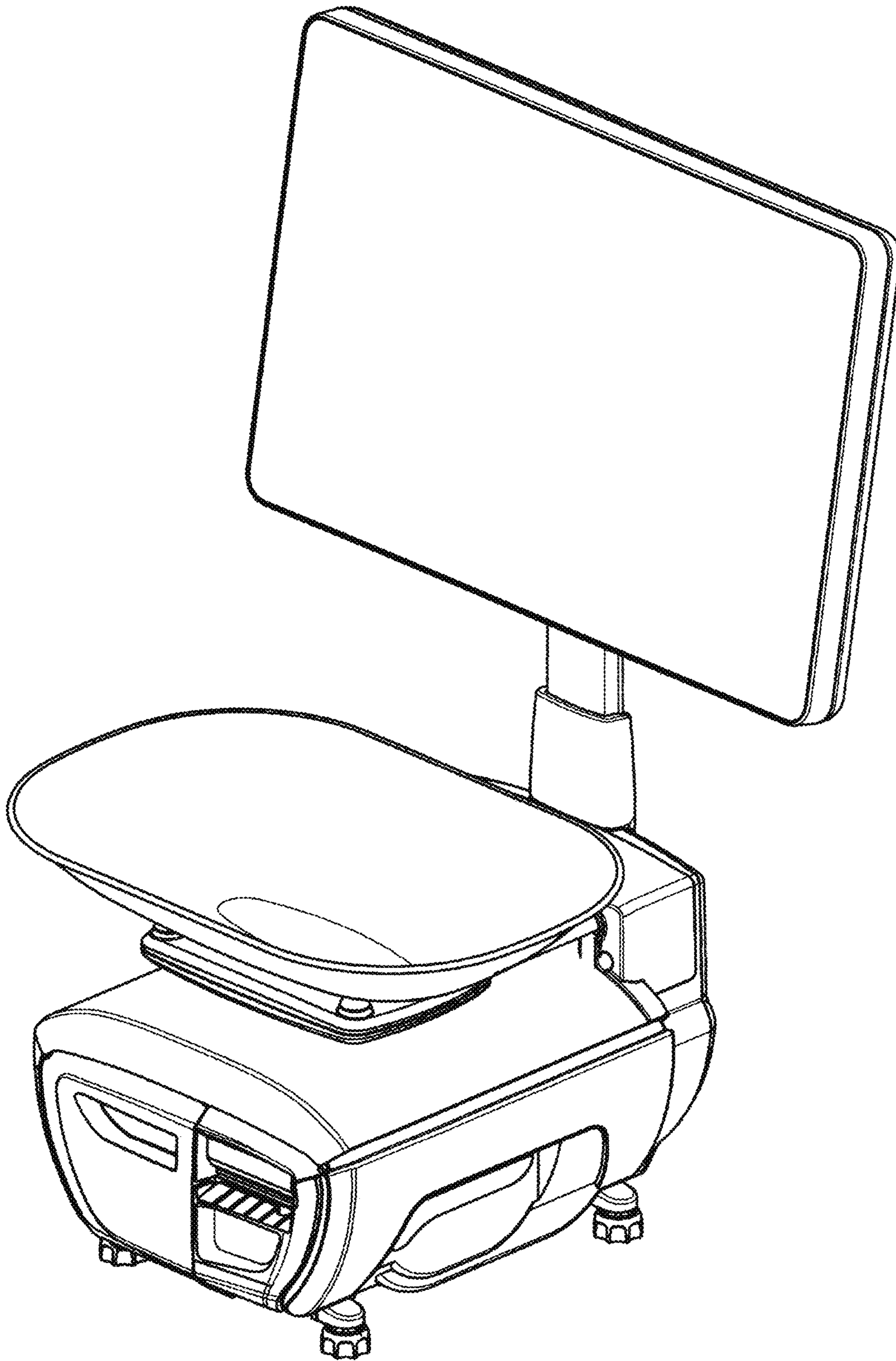


Fig. 8

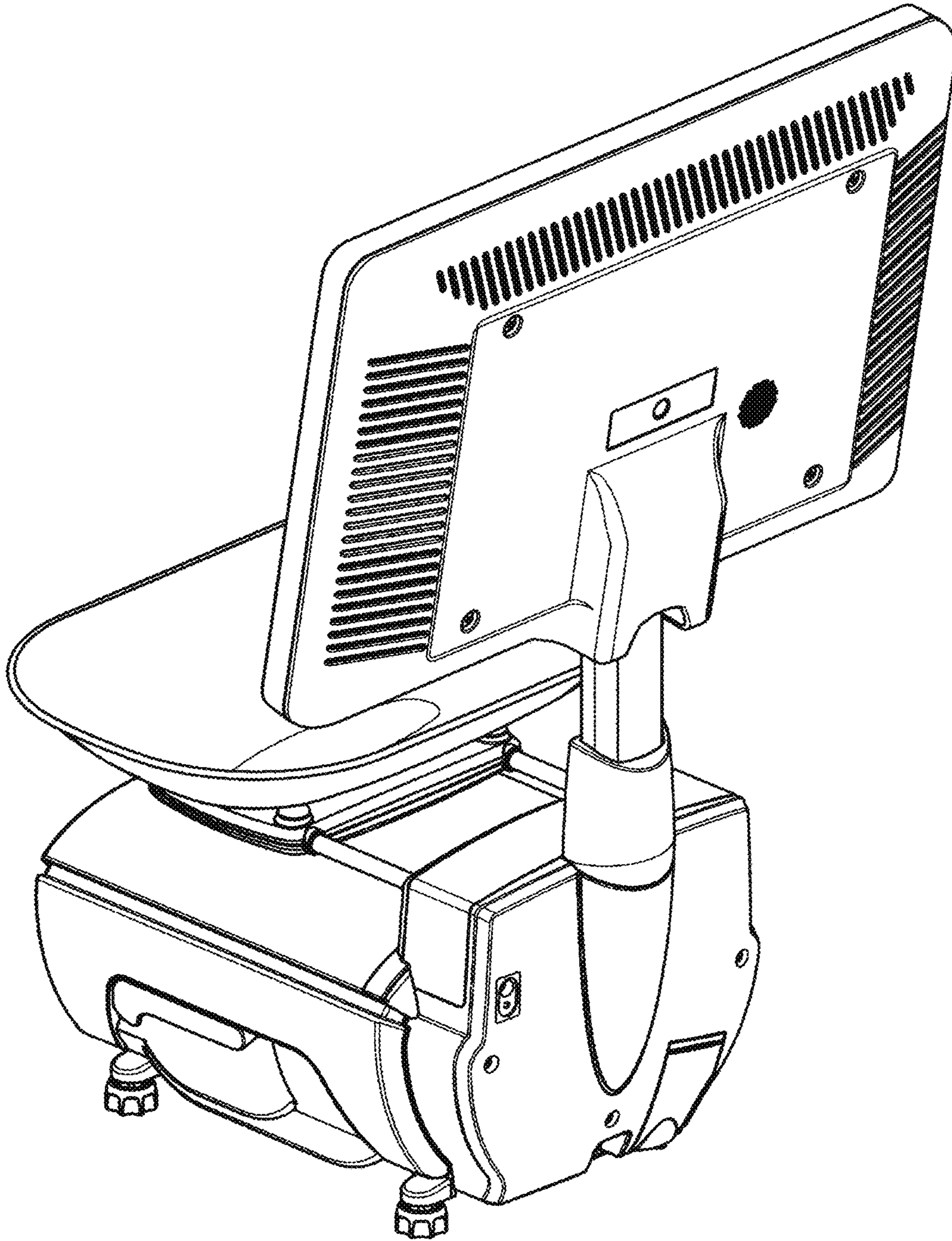
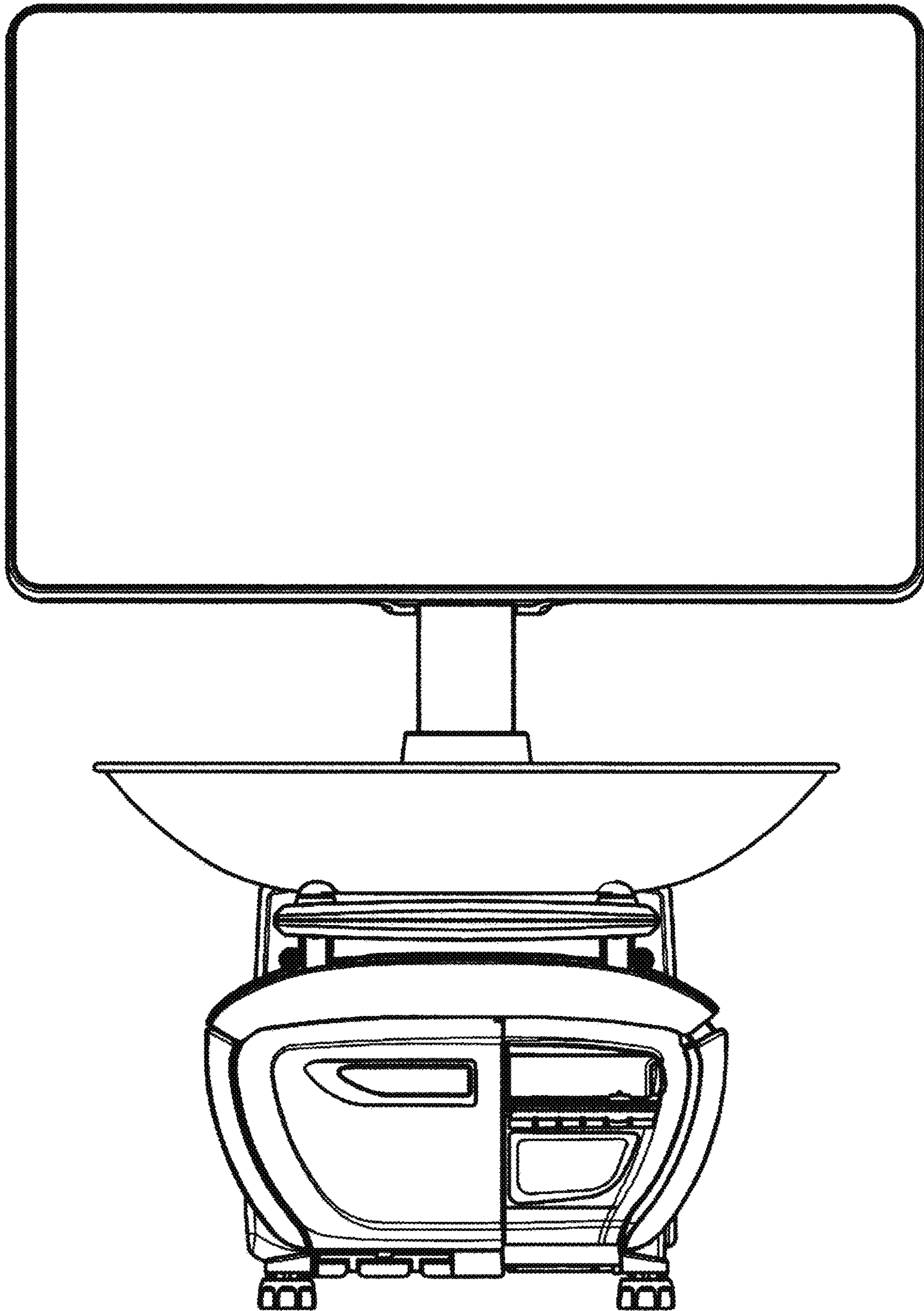


Fig. 9



*Fig. 10*

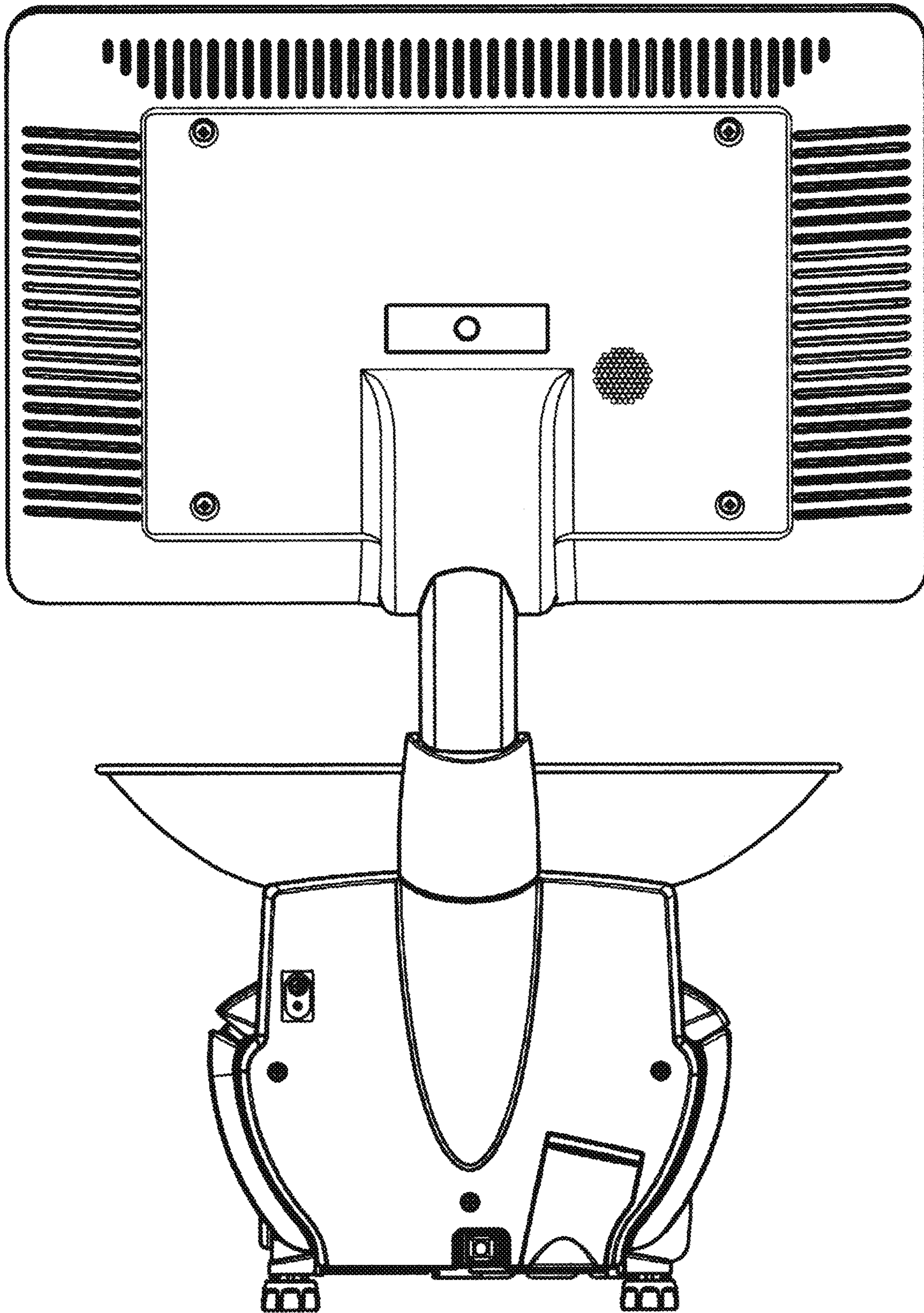


Fig. 11

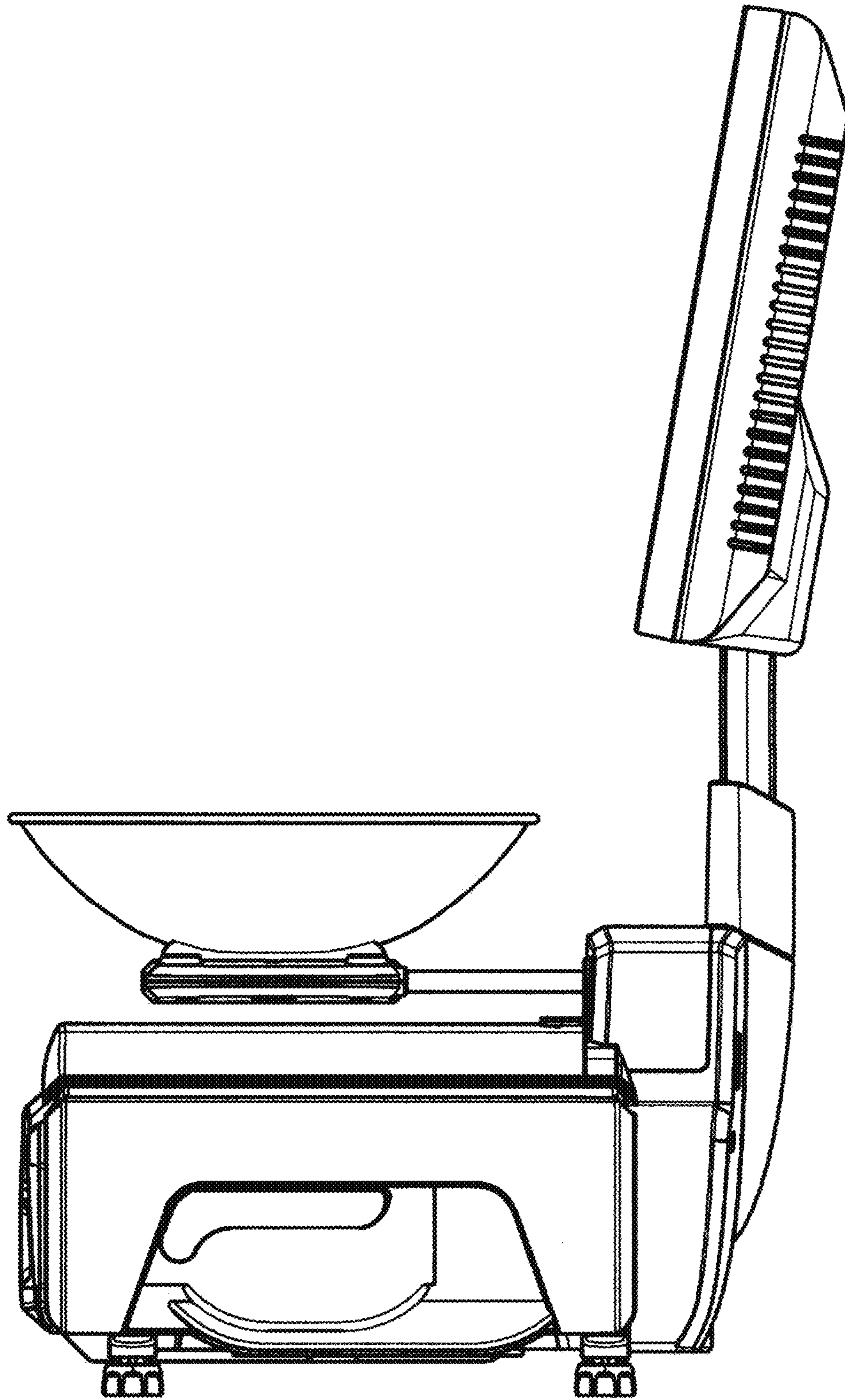
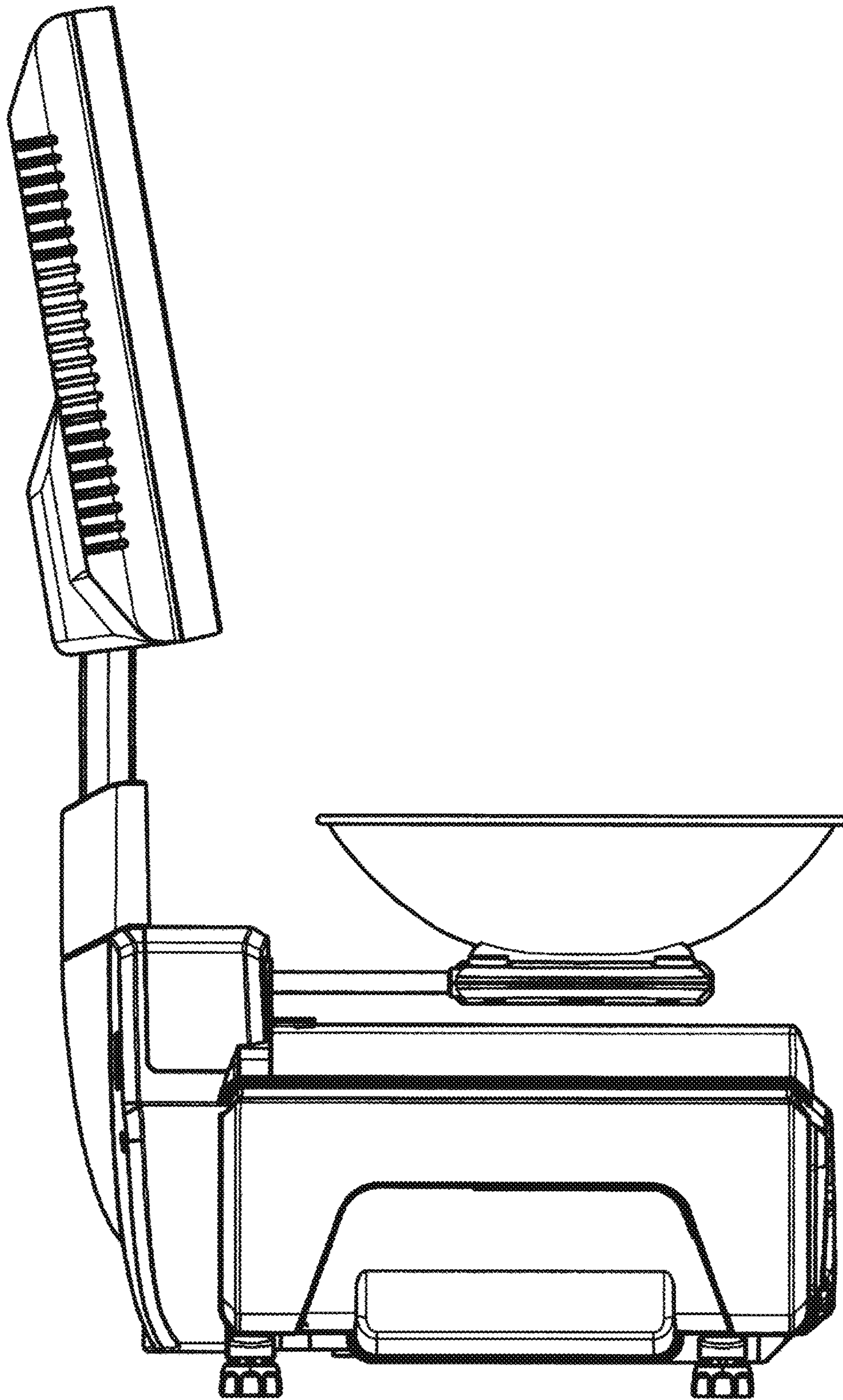
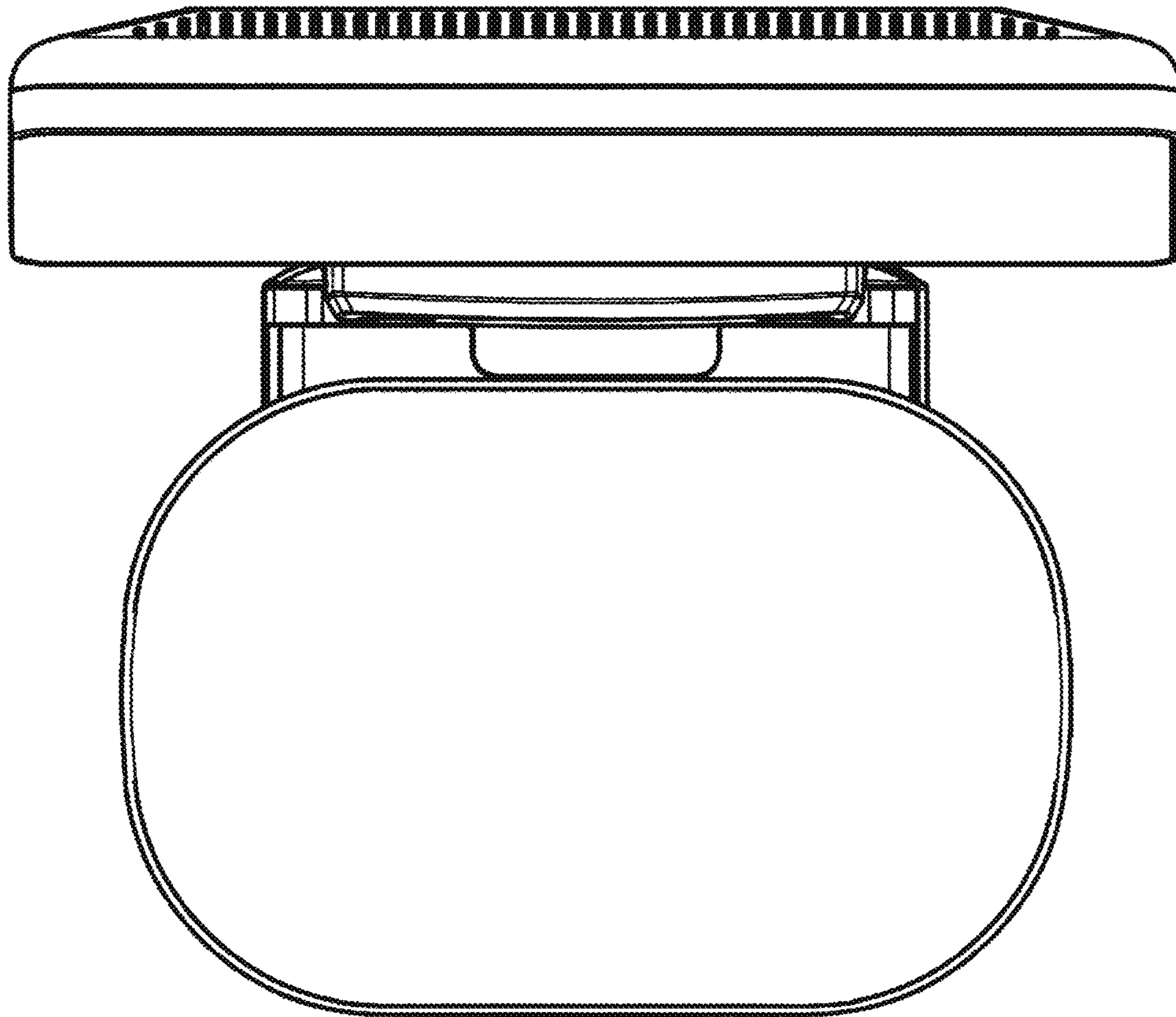


Fig. 12

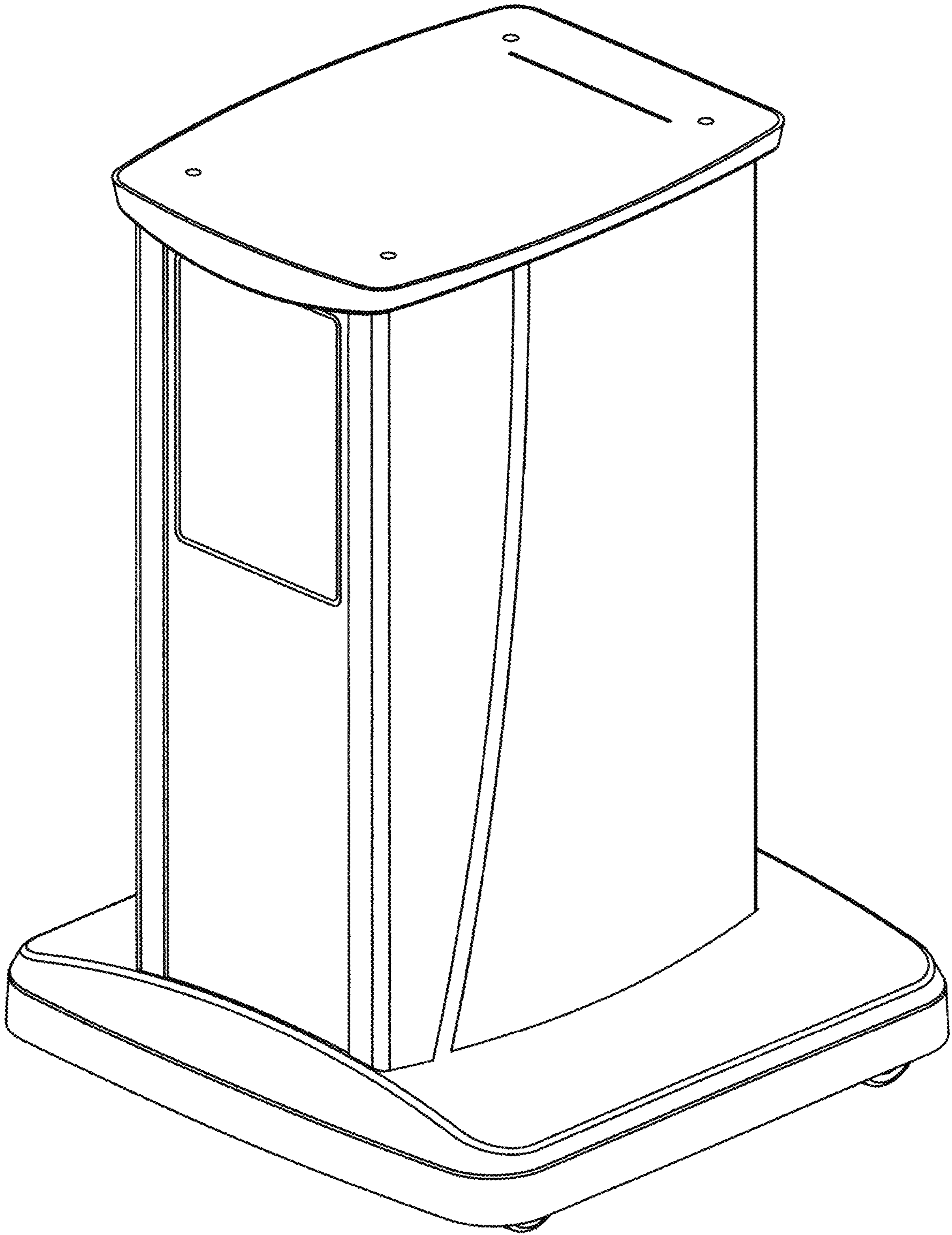


*Fig. 13*



*Fig. 14*





*Fig. 15*

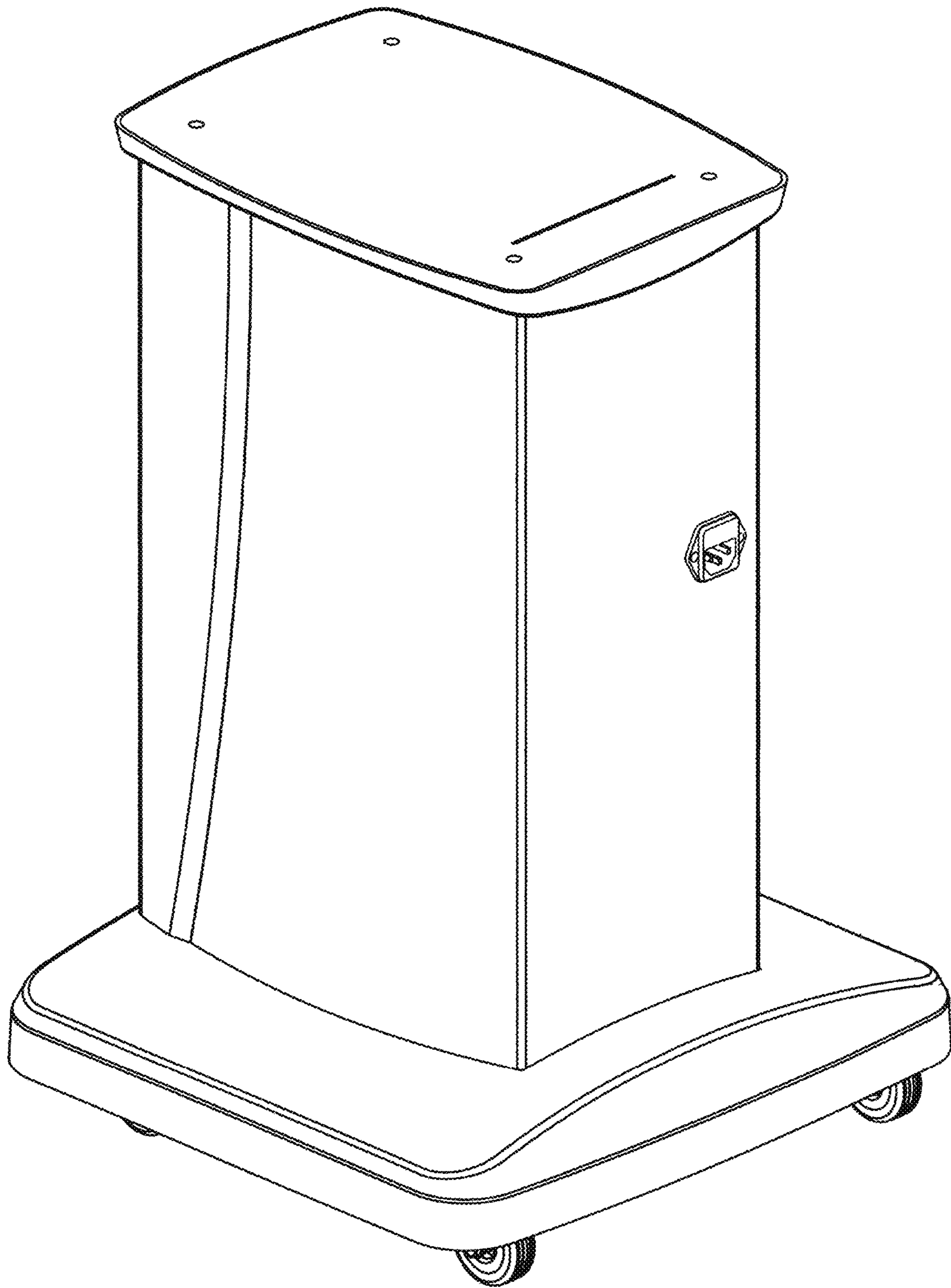
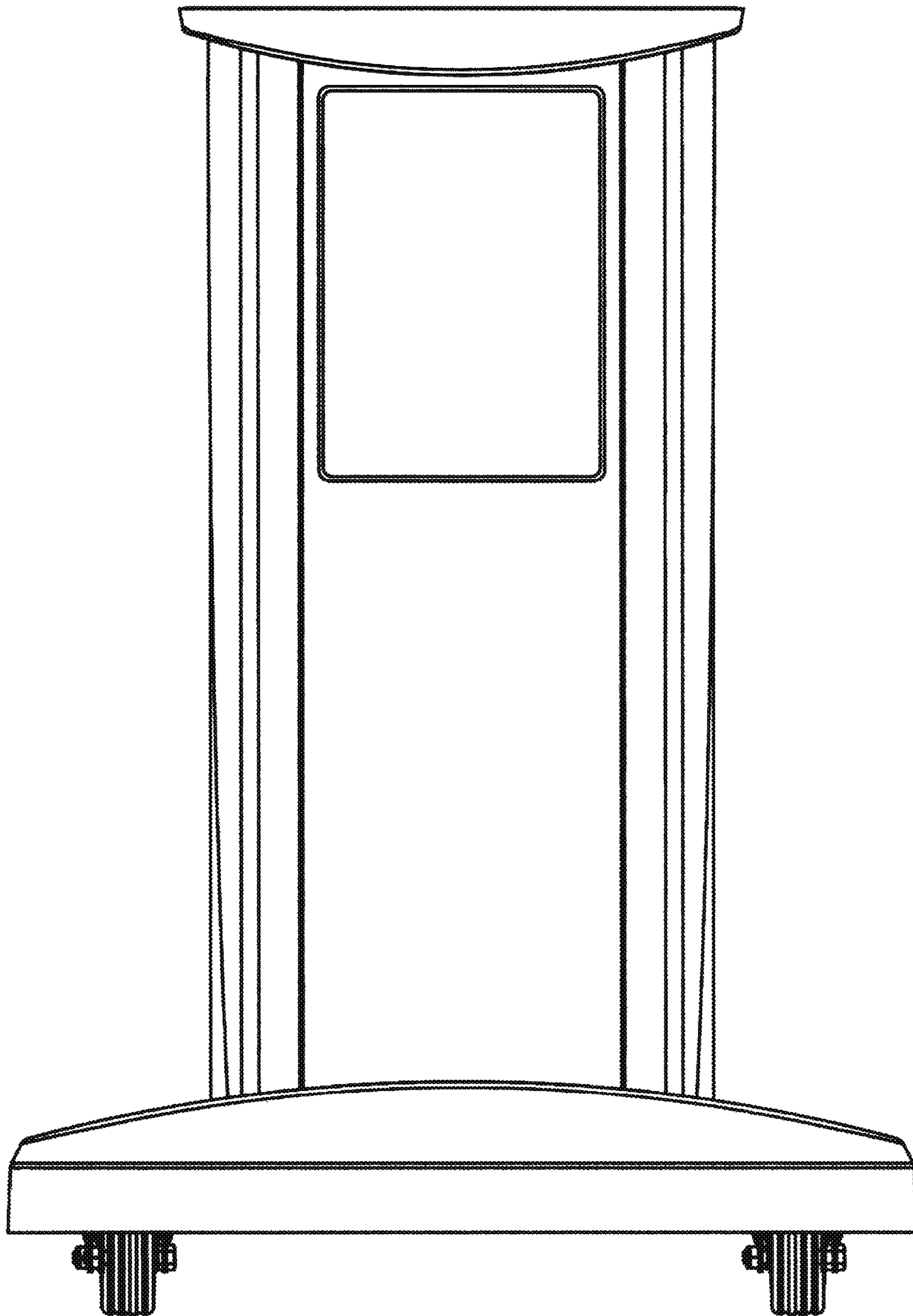


Fig. 16



*Fig. 17*

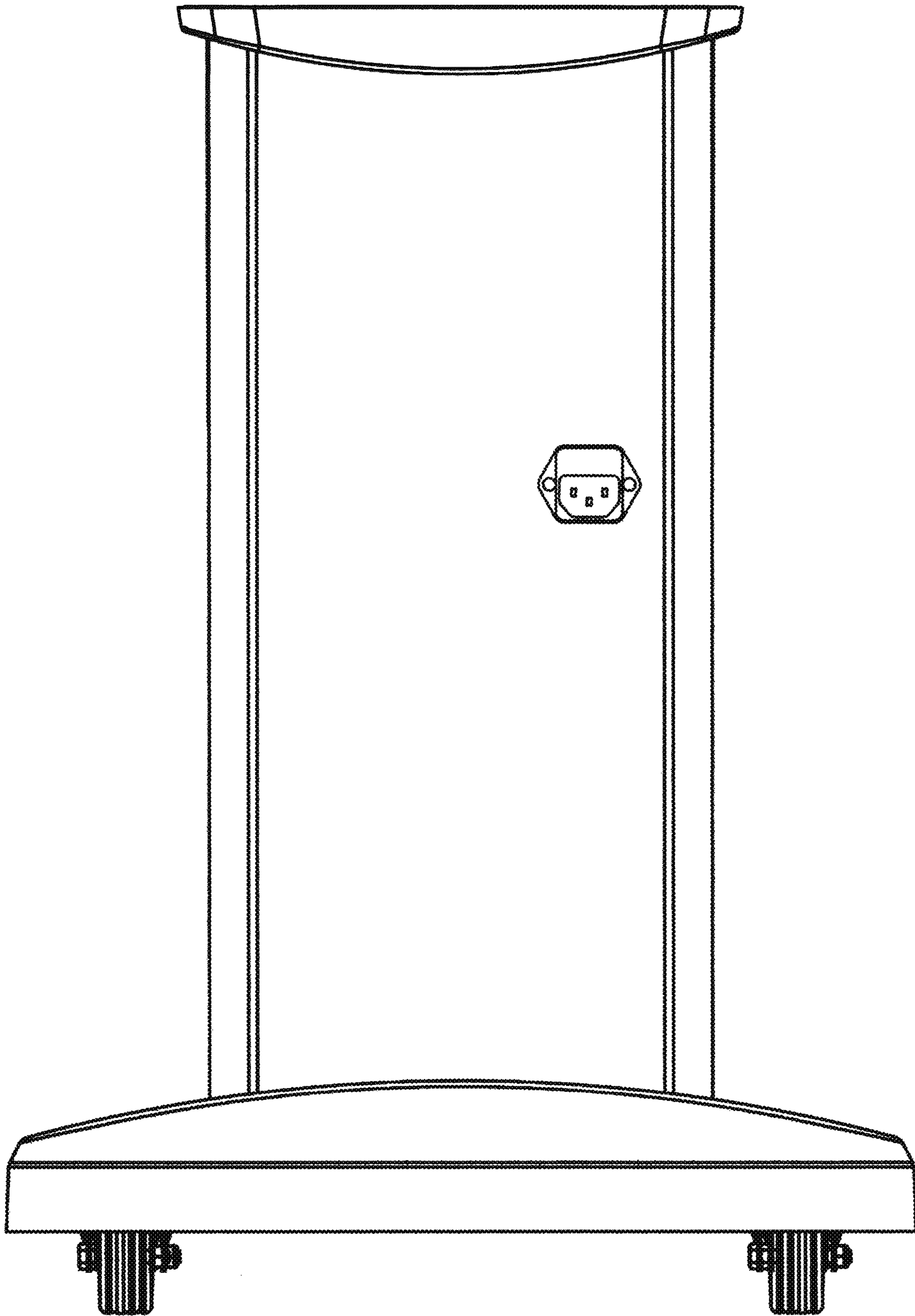


Fig. 18

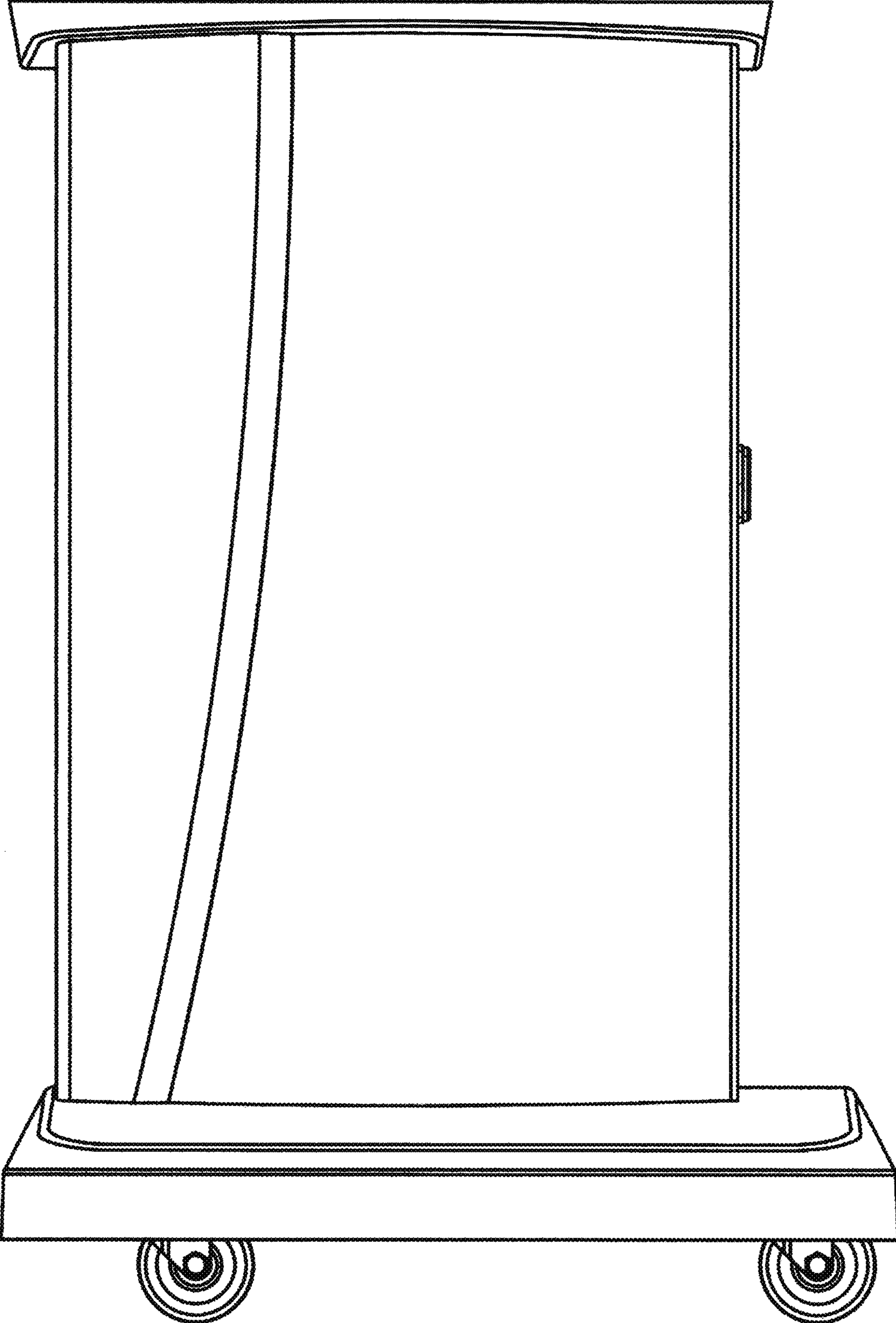


Fig. 19

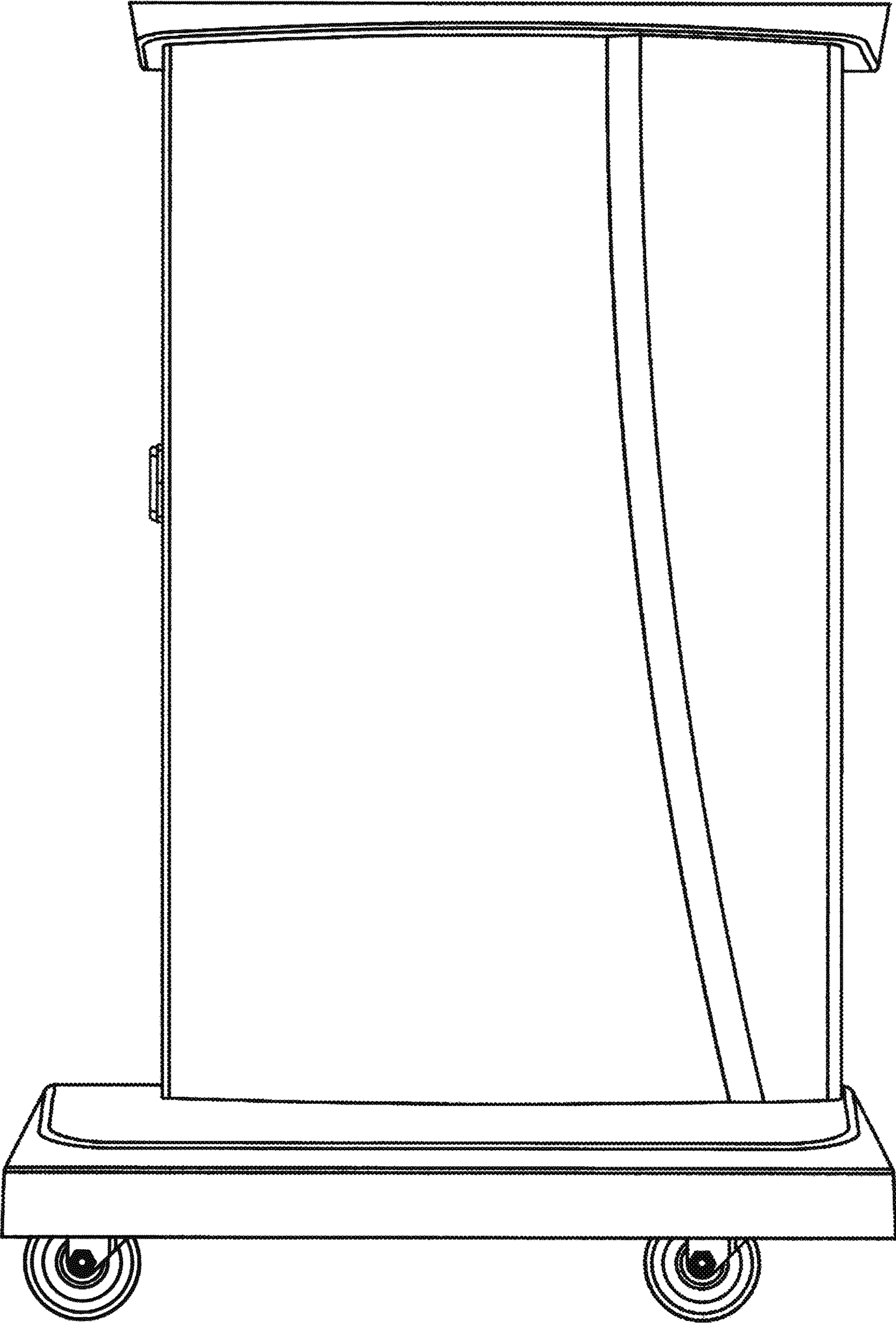


Fig. 20

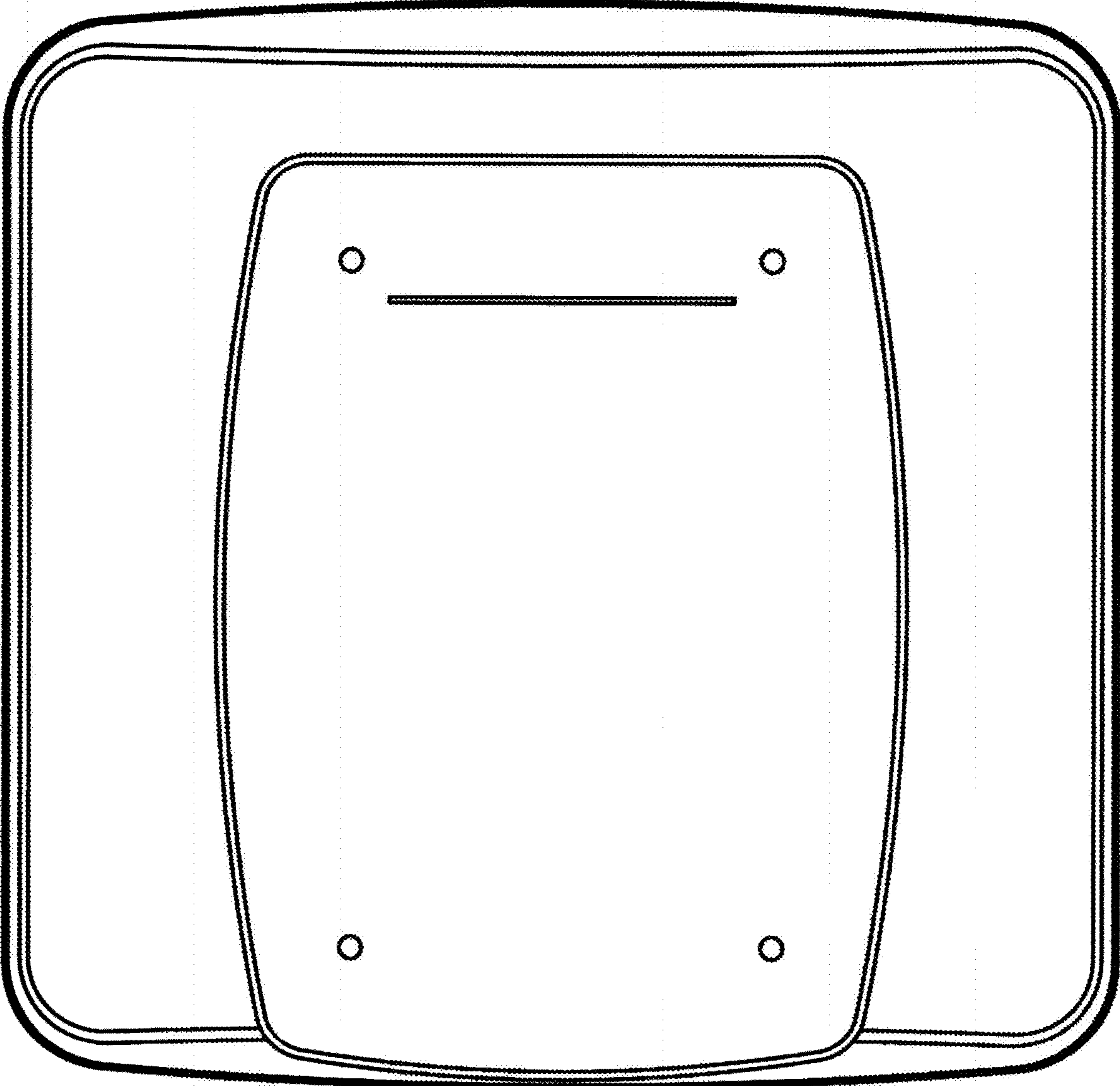


Fig. 21