



US00D875584S

(12) **United States Design Patent** (10) **Patent No.:** **US D875,584 S**
Yu (45) **Date of Patent:** **** Feb. 18, 2020**

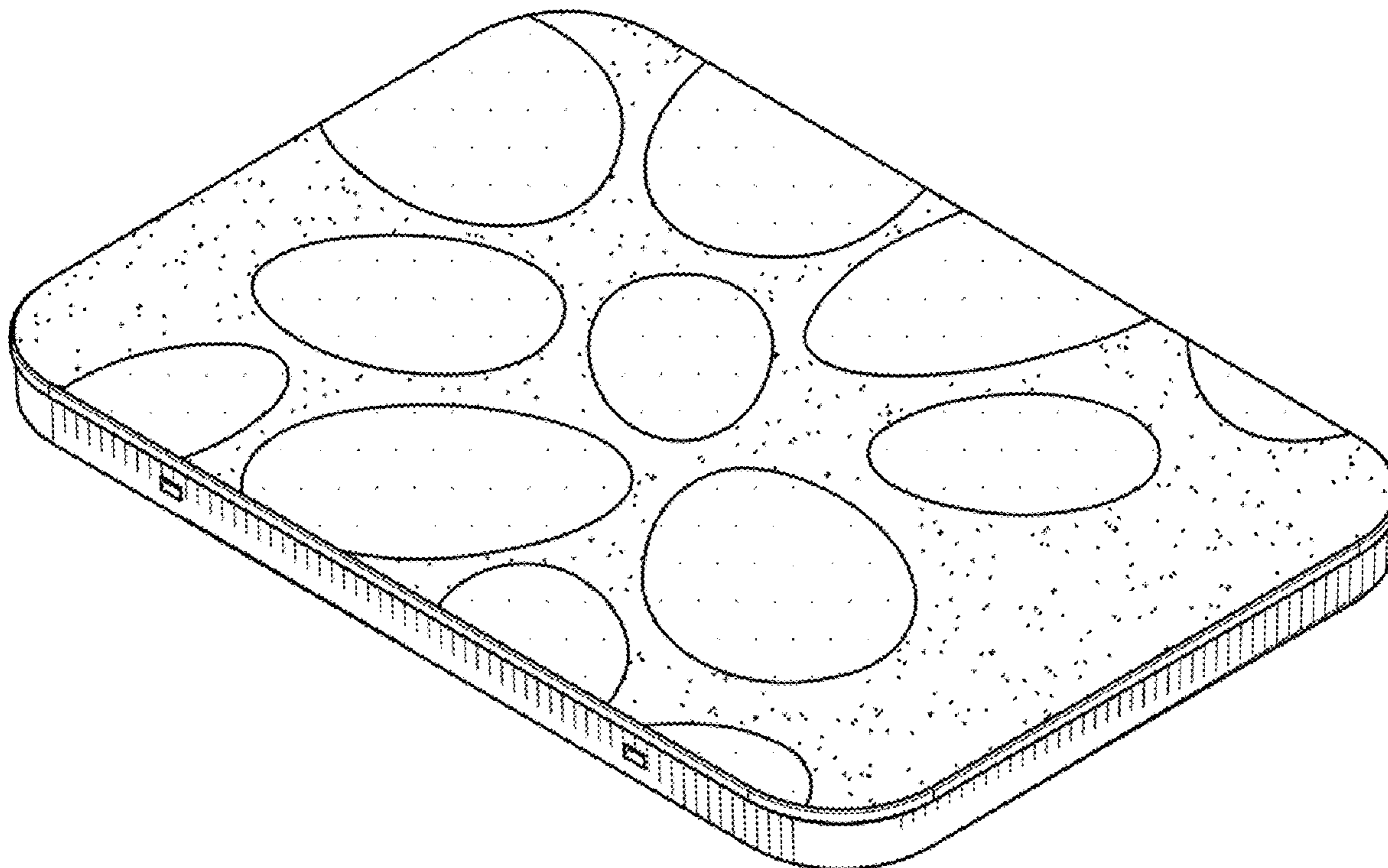
(54) **ELECTRONIC SCALE**
(71) Applicant: **SHENZHEN UNIQUE SCALES CO., LTD.**, Shenzhen (CN)
(72) Inventor: **Huayun Yu**, Shenzhen (CN)
(73) Assignee: **SHENZHEN UNIQUE SCALES CO., LTD.**, Shenzhen (CN)
(**) Term: **15 Years**
(21) Appl. No.: **29/667,424**
(22) Filed: **Oct. 22, 2018**
(51) **LOC (12) Cl.** **10-04**
(52) **U.S. Cl.**
USPC **D10/92**
(58) **Field of Classification Search**
USPC D10/91, 92
CPC G01G 21/28; G01G 21/283; G01G 21/286;
G01G 21/30; G01G 23/37; G01G
23/3728; G01G 23/3735; G01G 19/44;
G01G 19/445; G01G 19/46; G01G 19/48;
G01G 19/50; G01G 21/44; G01G 19/286;
G01G 19/30; A61B 5/053; A61B 5/4872;
A61B 5/0537; A61B 5/4869; A61B
5/6825; A61B 5/6829; A61B 5/7445
See application file for complete search history.

(56) **References Cited**
U.S. PATENT DOCUMENTS
D718,162 S * 11/2014 Kobayakawa D10/92
D801,837 S * 11/2017 Tsai D10/91
D805,937 S * 12/2017 Chang D10/92
D808,287 S * 1/2018 Liang D10/92
* cited by examiner
Primary Examiner — Antoine Duval Davis
(74) *Attorney, Agent, or Firm* — Juan Carlos A. Marquez;
Marquez IP Law Office, PLLC

(57) **CLAIM**
The ornamental design for an electronic scale, as shown and described.

DESCRIPTION
FIG. 1 is a perspective view of an electronic scale, showing my new design;
FIG. 2 is a front view thereof;
FIG. 3 is a rear view thereof;
FIG. 4 is a left-side view thereof;
FIG. 5 is a right-side view thereof;
FIG. 6 is a top view thereof;
FIG. 7 is a bottom view thereof;
FIG. 8 is a perspective bottom view thereof;
FIG. 9 is a perspective exploded bottom view thereof; and,
FIG. 10 is another perspective exploded bottom view.

1 Claim, 6 Drawing Sheets



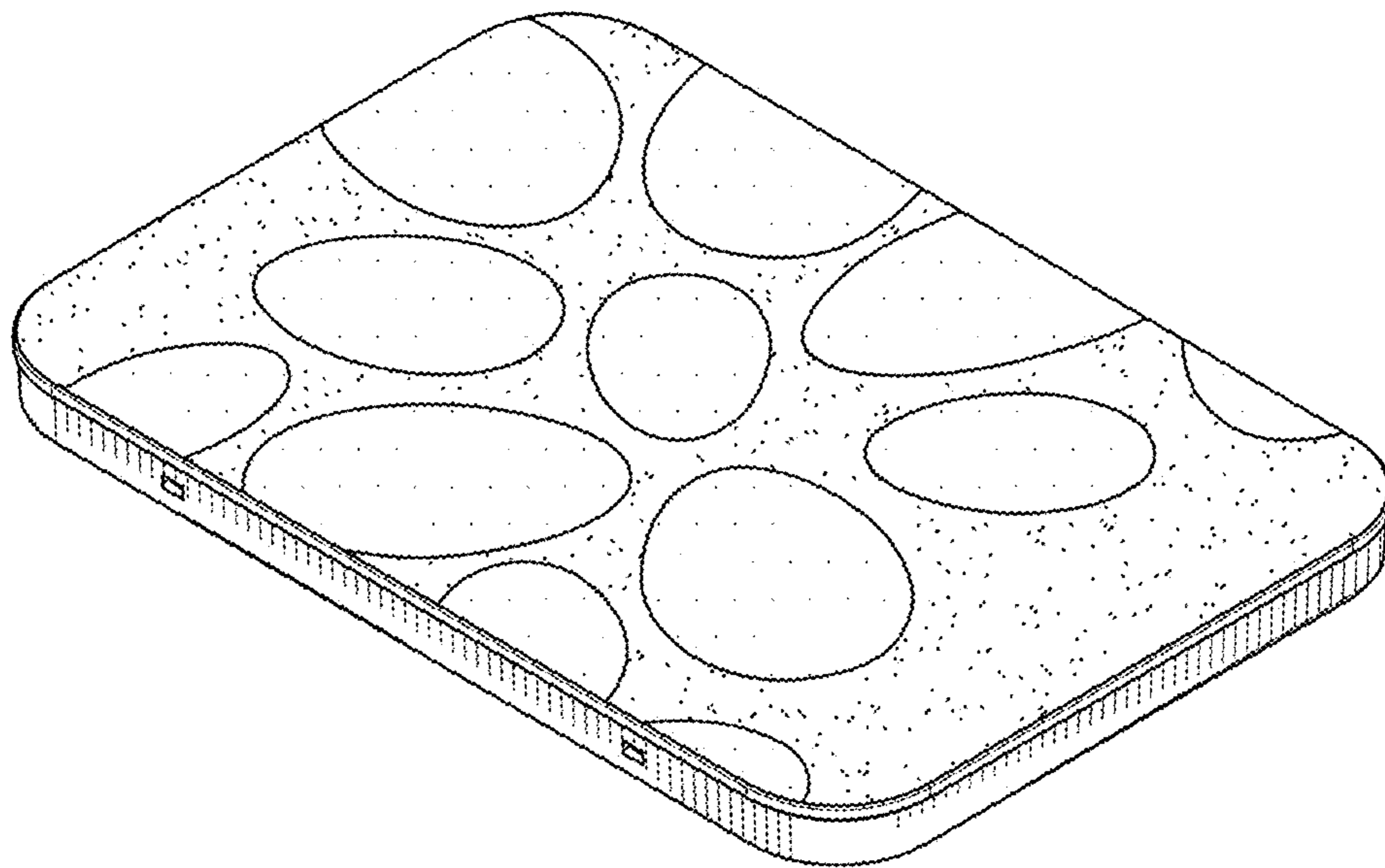


FIG. 1

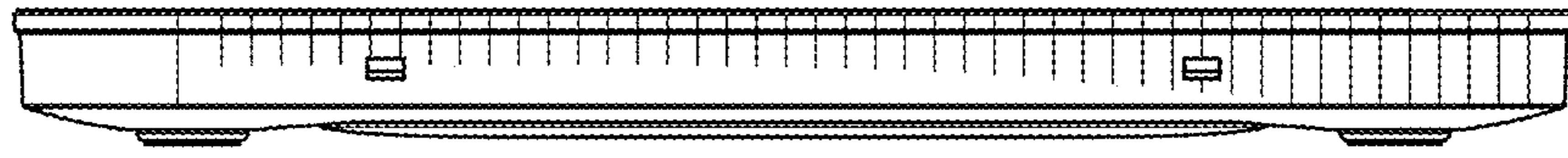


FIG. 2

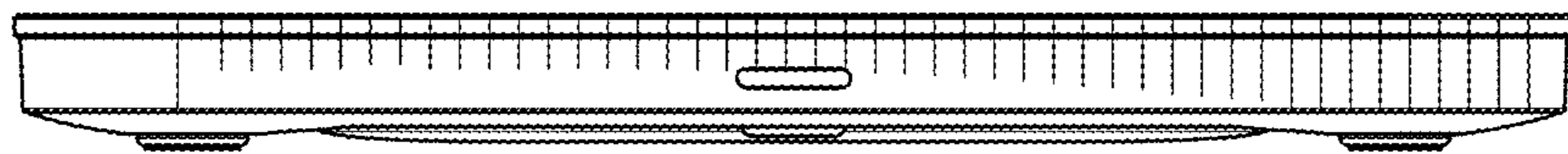


FIG. 3

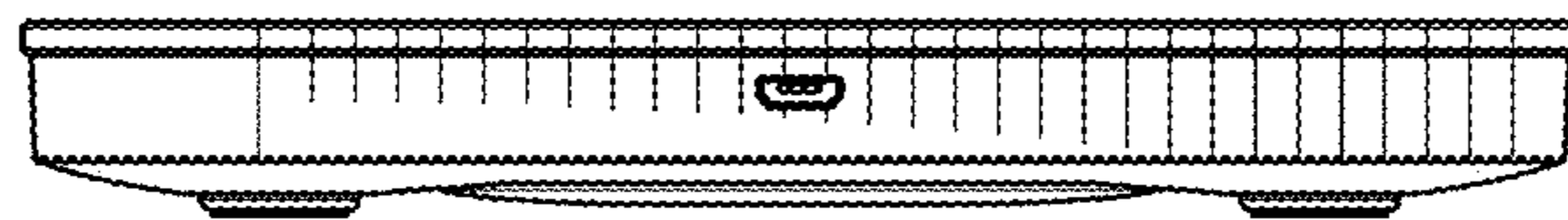


FIG. 4

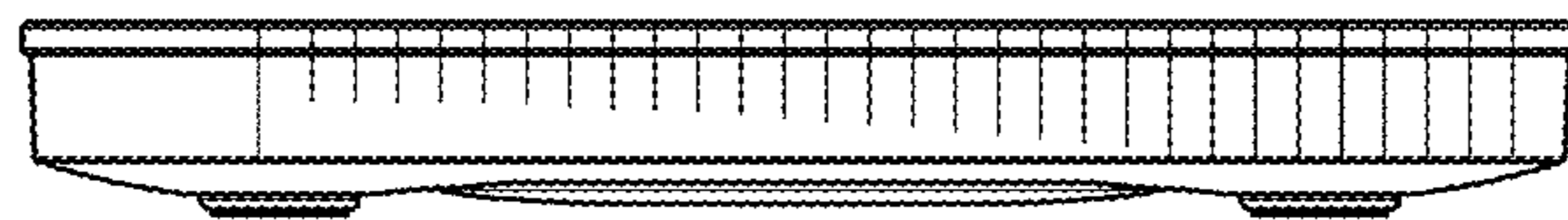


FIG. 5

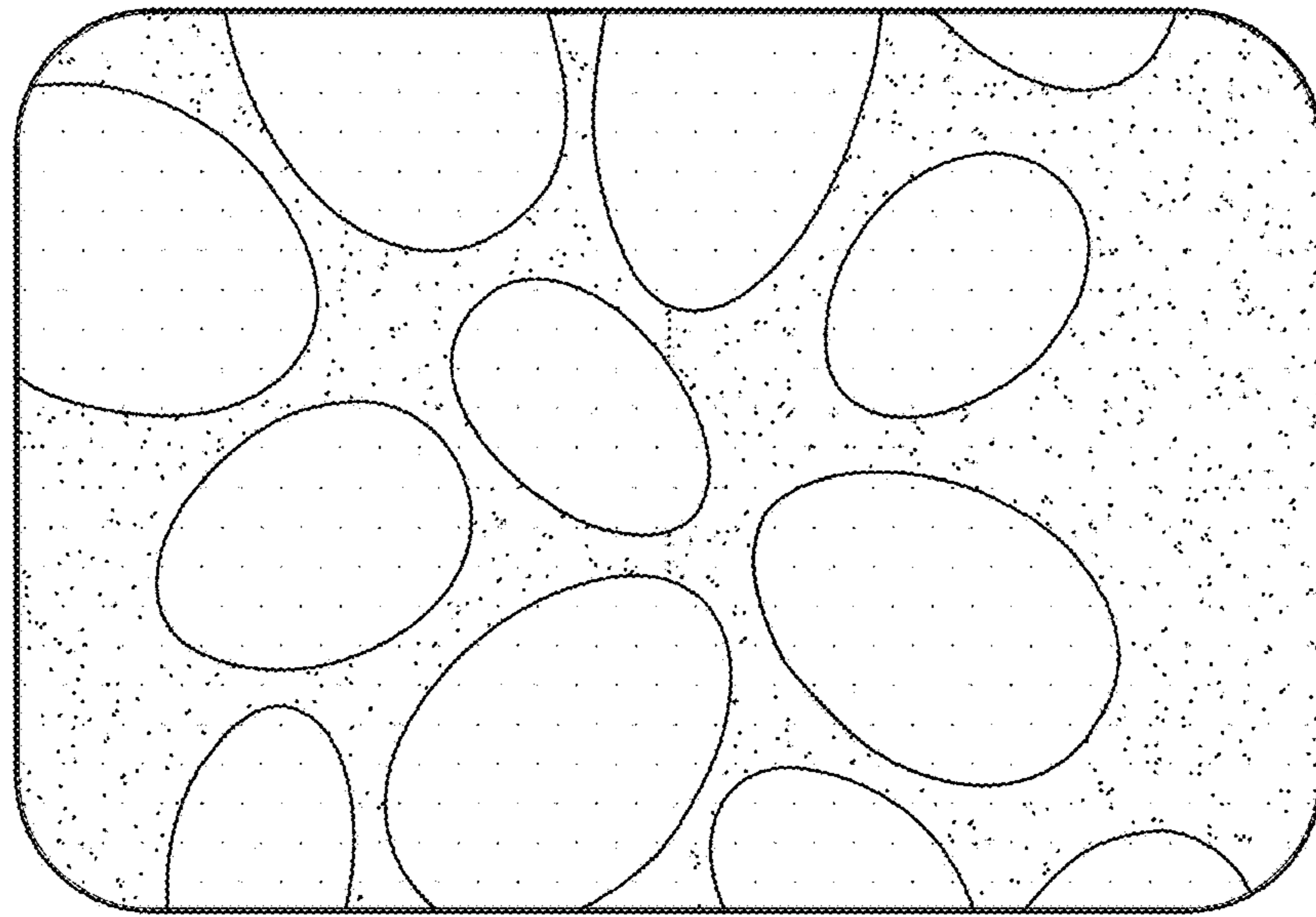


FIG. 6

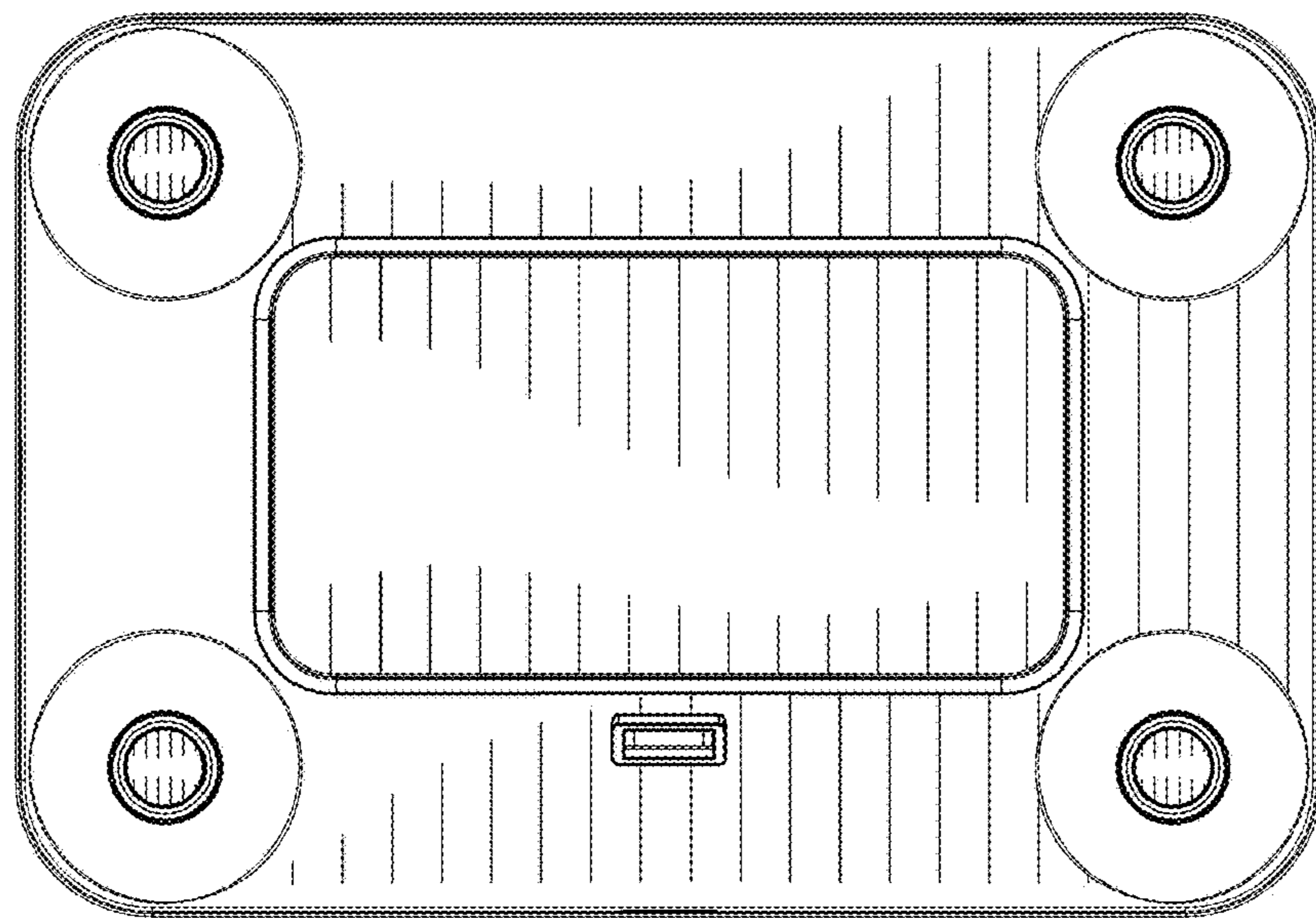


FIG. 7

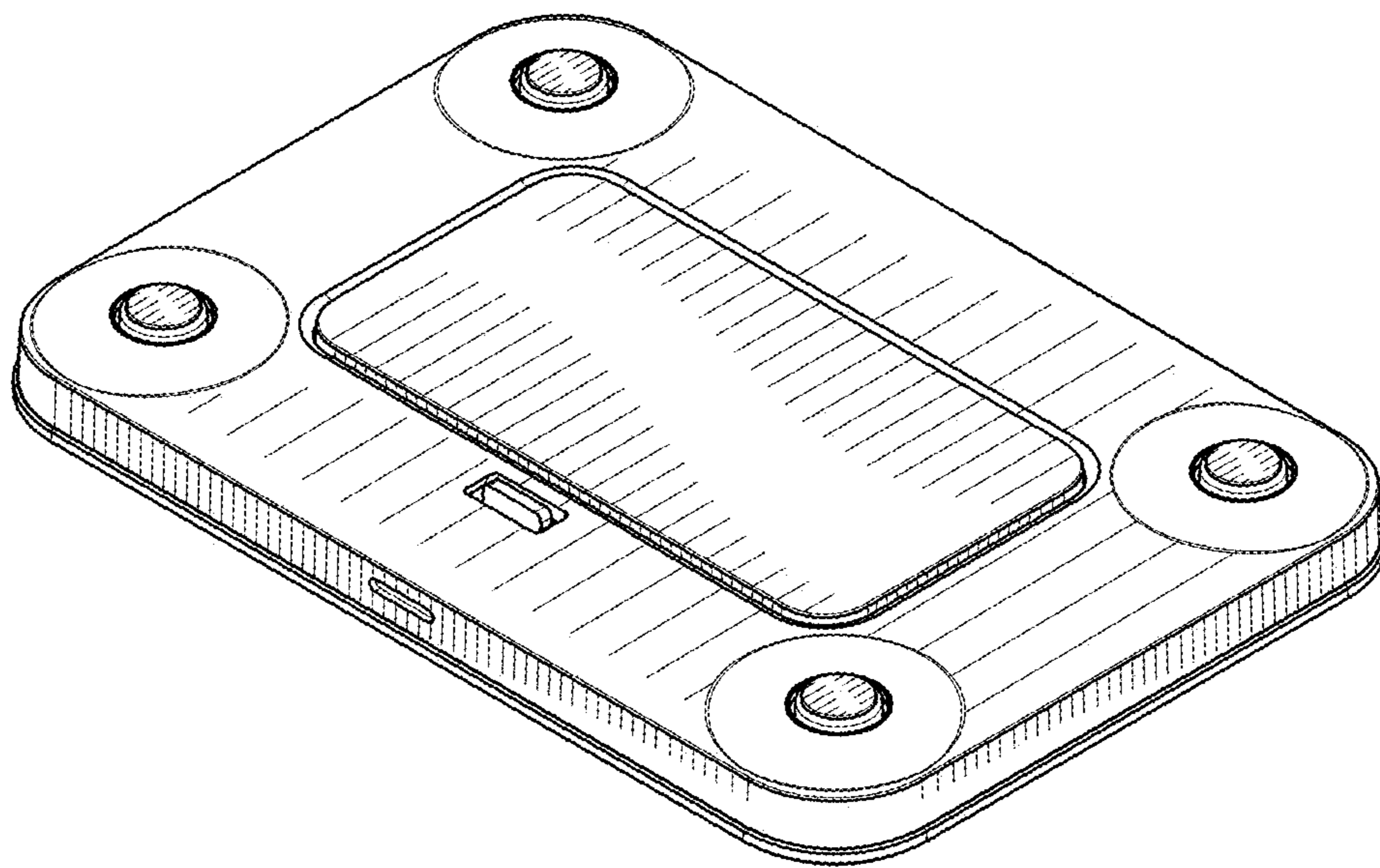


FIG. 8

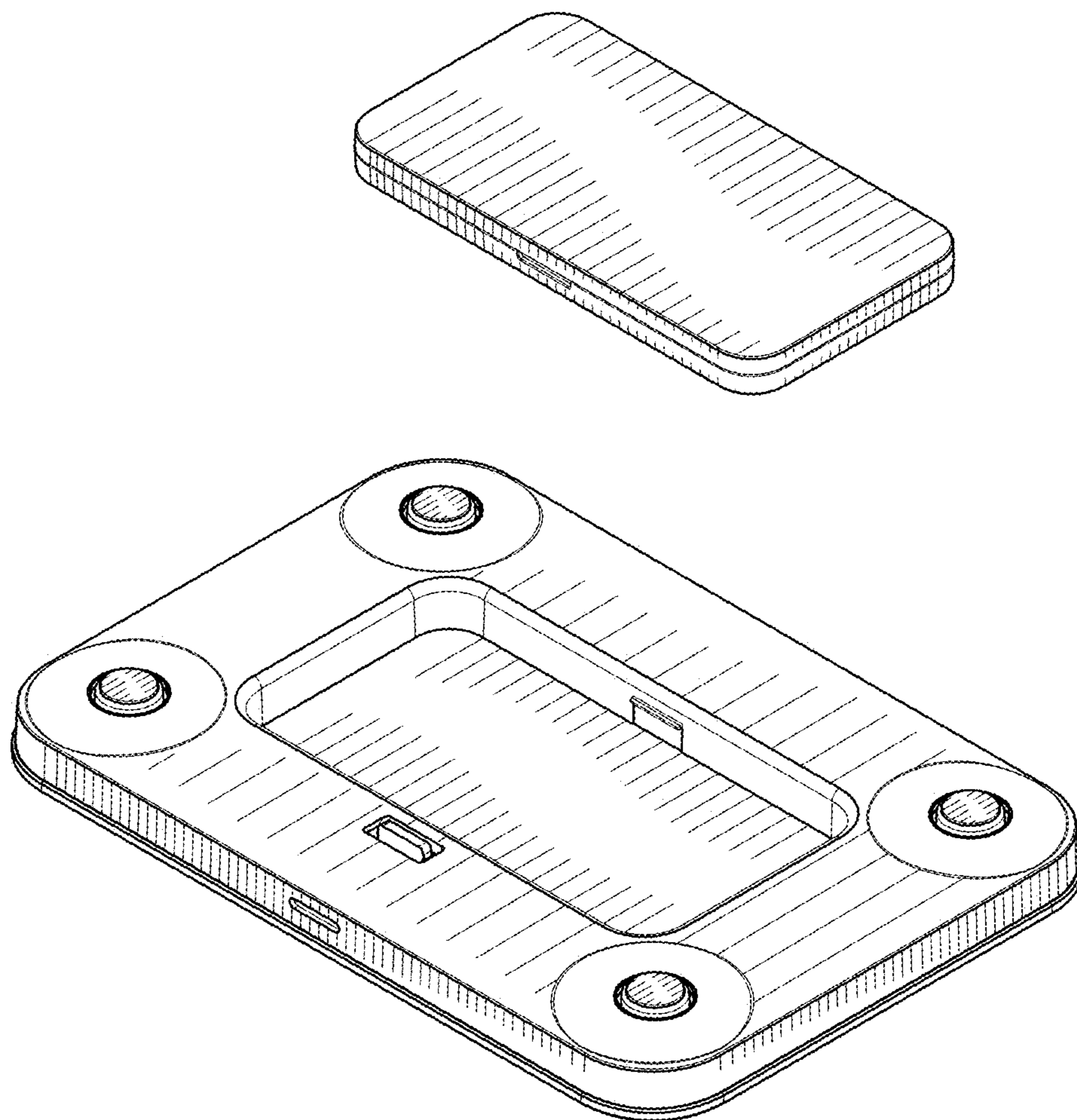


FIG. 9

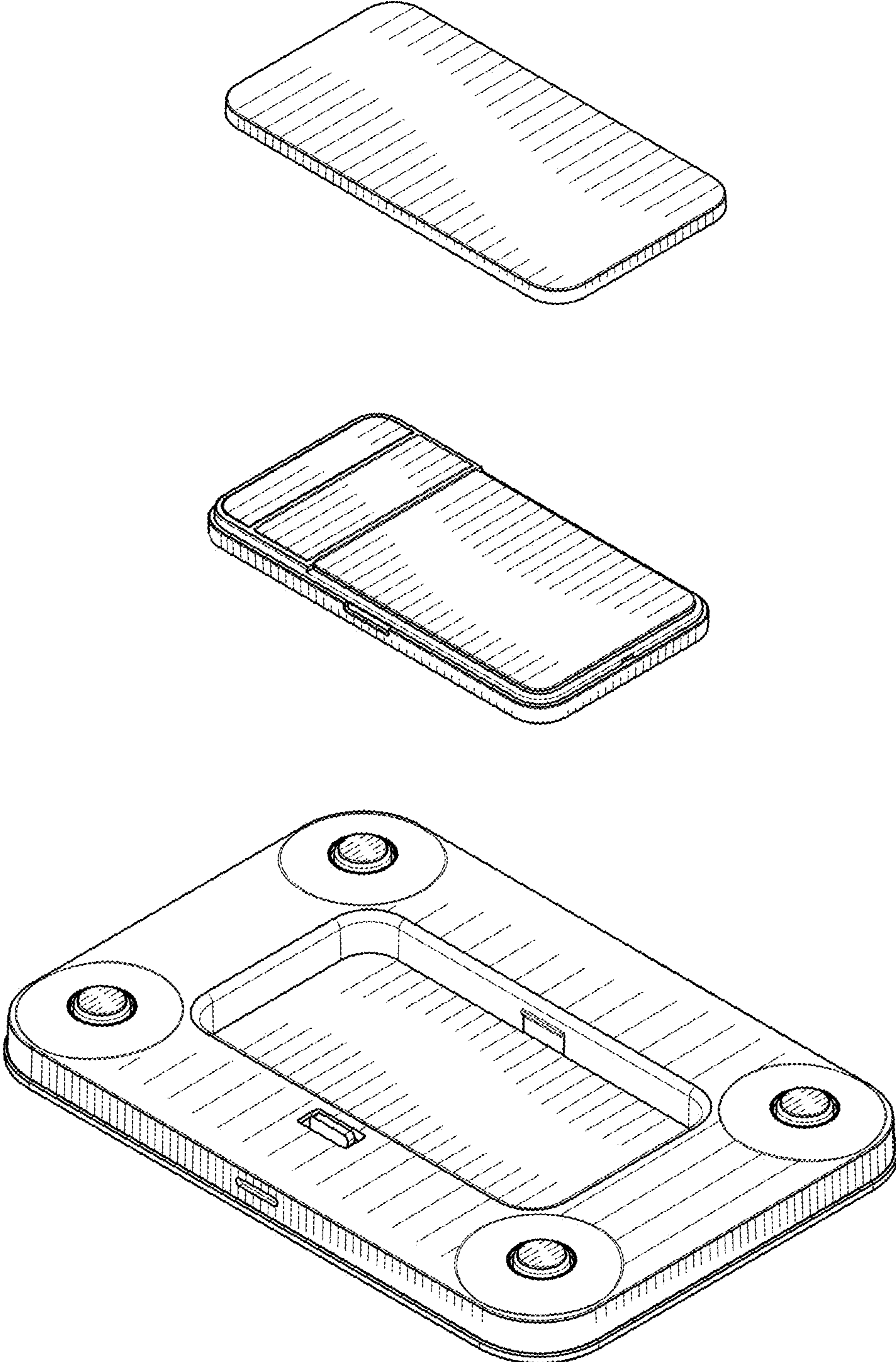


FIG. 10