



US00D875580S

(12) **United States Design Patent** (10) **Patent No.:** **US D875,580 S**  
**Huang** (45) **Date of Patent:** **\*\* Feb. 18, 2020**

- (54) **EARTH GROUND CLAMP METER**
- (71) Applicant: **Fluke Corporation**, Everett, WA (US)
- (72) Inventor: **Wei Huang**, Shanghai (CN)
- (73) Assignee: **Fluke Corporation**, Everett, WA (US)
- (\*\*) Term: **15 Years**
- (21) Appl. No.: **29/687,511**
- (22) Filed: **Apr. 12, 2019**

D715,169 S 10/2014 Chen  
 8,922,195 B2 12/2014 Worones  
 D762,502 S 8/2016 Shen  
 (Continued)

**FOREIGN PATENT DOCUMENTS**

CN 303870458 S 9/2016

**OTHER PUBLICATIONS**

Taiwanese Search Report, dated Mar. 16, 2018, for Taiwanese Design Application No. 106304125, 2 pages (with English translation).

*Primary Examiner* — Antoine Duval Davis  
(74) *Attorney, Agent, or Firm* — Seed Intellectual Property Law Group LLP

(57) **CLAIM**

The ornamental design for an earth ground clamp meter, as shown and described.

**DESCRIPTION**

FIG. 1 is a bottom, front right perspective view of an earth ground clamp meter showing my new design.  
 FIG. 2 is a front elevation view thereof.  
 FIG. 3 is a rear elevation view thereof.  
 FIG. 4 is a right side elevation view thereof.  
 FIG. 5 is a left side elevation view thereof.  
 FIG. 6 is a top plan view thereof.  
 FIG. 7 is a bottom plan view thereof.  
 FIG. 8 is a bottom, front right perspective view of an earth ground clamp meter further showing my new design.  
 FIG. 9 is a front elevation view thereof.  
 FIG. 10 is a rear elevation view thereof.  
 FIG. 11 is a right side elevation view thereof.  
 FIG. 12 is a left side elevation view thereof.  
 FIG. 13 is a top plan view thereof; and,  
 FIG. 14 is a bottom plan view thereof.  
 The broken lines in the figures illustrate portions of the earth ground clamp meter that form no part of the claimed design.

**Related U.S. Application Data**

- (62) Division of application No. 29/611,243, filed on Jul. 19, 2017, now Pat. No. Des. 849,578.

**Foreign Application Priority Data**

Jan. 20, 2017 (CN) ..... 2017 3 0023424

- (51) **LOC (12) Cl.** ..... **10-04**

- (52) **U.S. Cl.**  
 USPC ..... **D10/80**

- (58) **Field of Classification Search**  
 USPC ..... D10/79, 80  
 CPC ..... G01R 1/04; G01R 1/0408; G01R 1/0416;  
 G01R 1/0425; G01R 1/06; G01R 1/067;  
 G01R 15/125; G01R 1/22; G01R 15/12;  
 G01R 15/18; G01R 15/186; G01R 1/07;  
 G01R 1/16772; G01R 1/16788

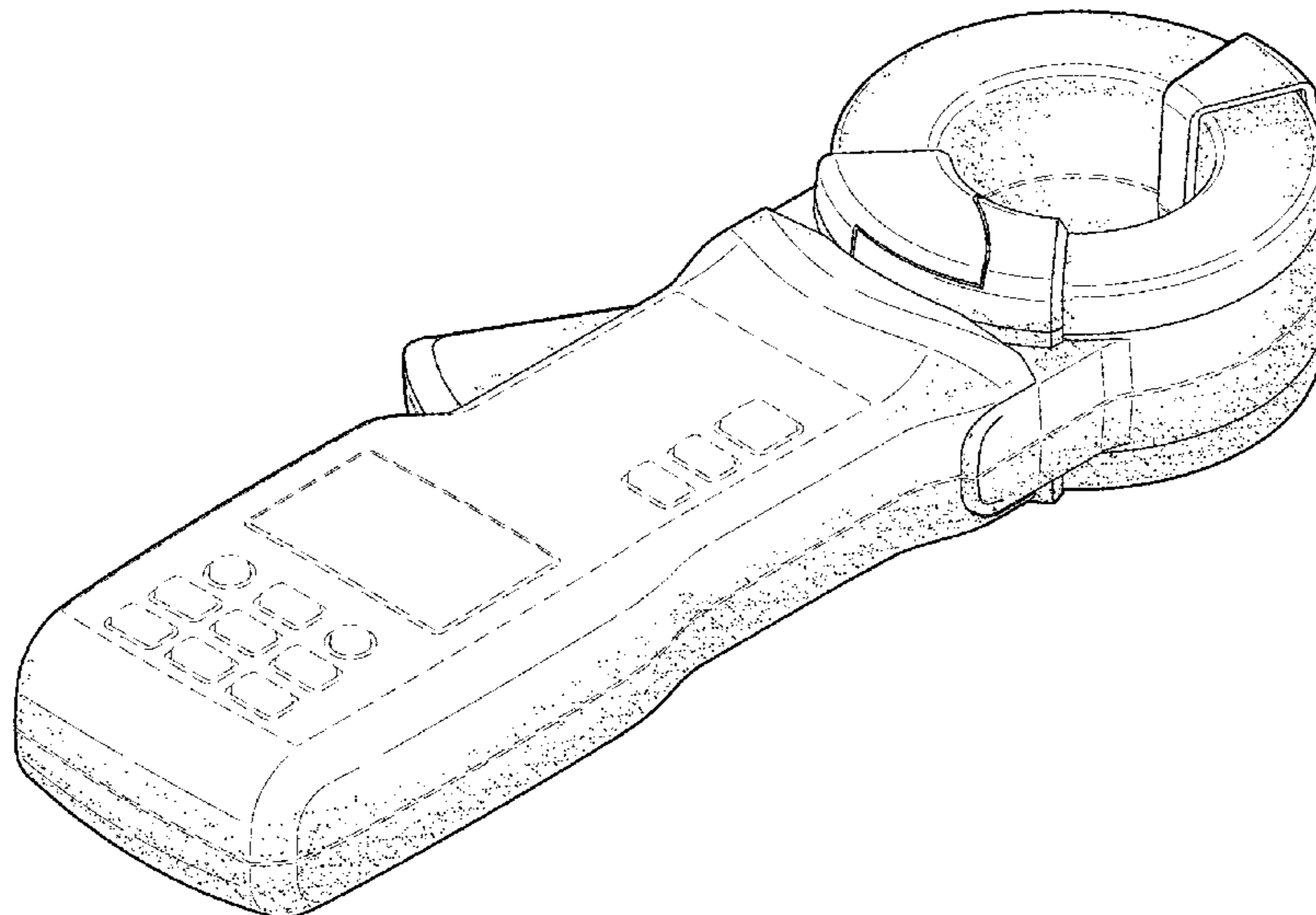
See application file for complete search history.

(56) **References Cited**

**U.S. PATENT DOCUMENTS**

- RE36,227 E 6/1999 Arnoux
- D640,152 S 6/2011 Laurino et al.
- D642,945 S 8/2011 Marzynski et al.
- D661,606 S 6/2012 Marzynski et al.
- D684,074 S 6/2013 Wei

**1 Claim, 10 Drawing Sheets**



(56)

**References Cited**

U.S. PATENT DOCUMENTS

D802,456 S	11/2017	Huang	
10,156,591 B2 *	12/2018	Gopfert .....	G01R 1/06788
D844,470 S	4/2019	Huang	
2016/0084879 A1	3/2016	Luo	
2017/0102411 A1	4/2017	Li et al.	

\* cited by examiner

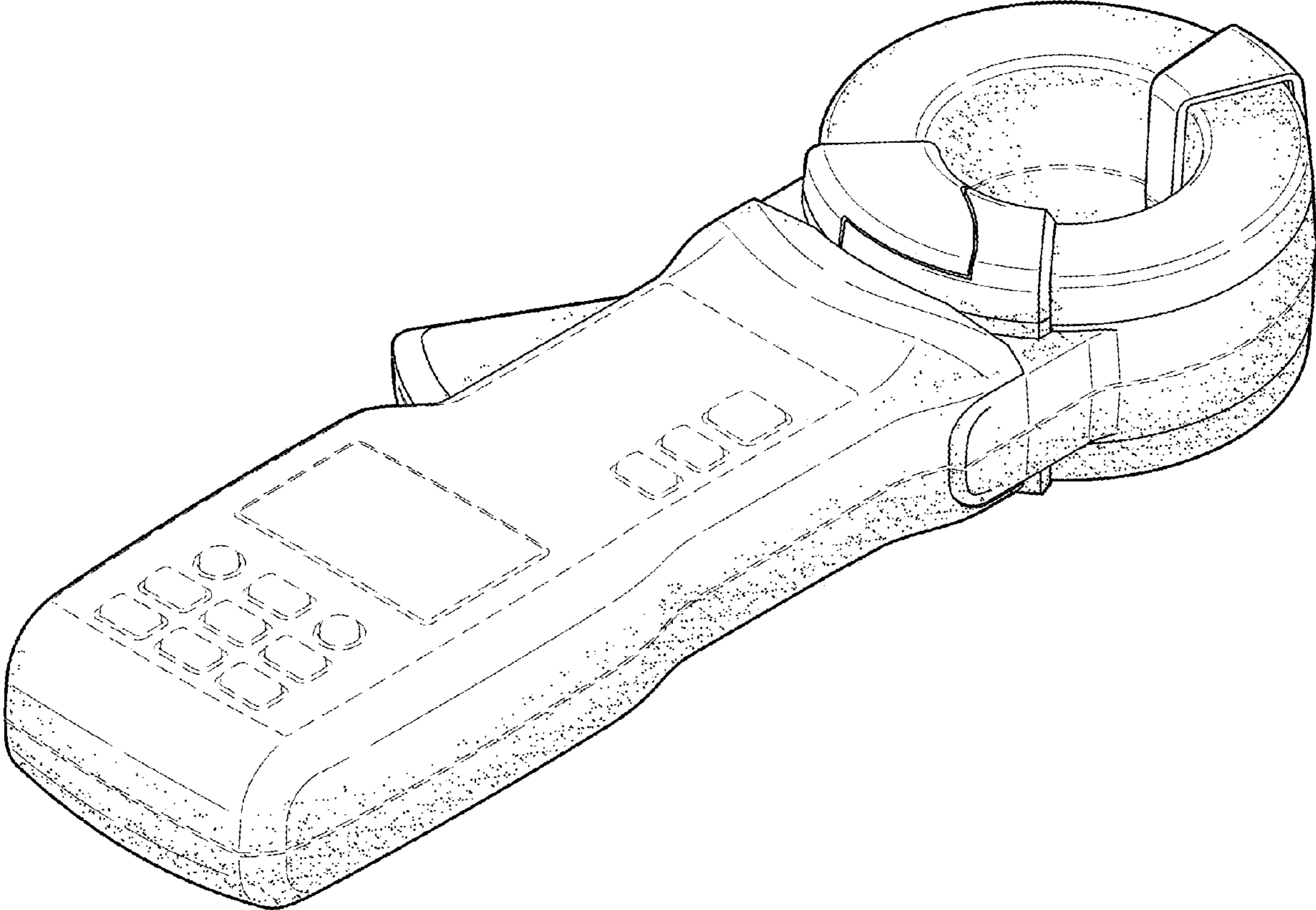


FIG. 1

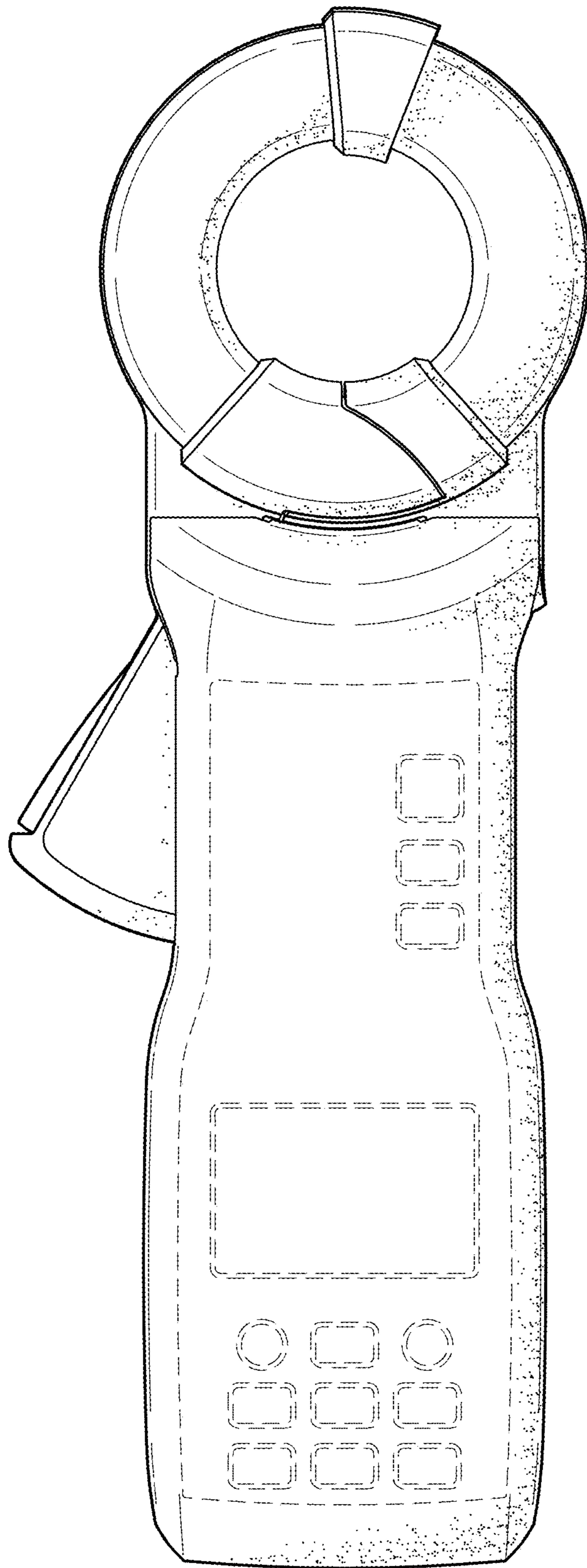


FIG. 2

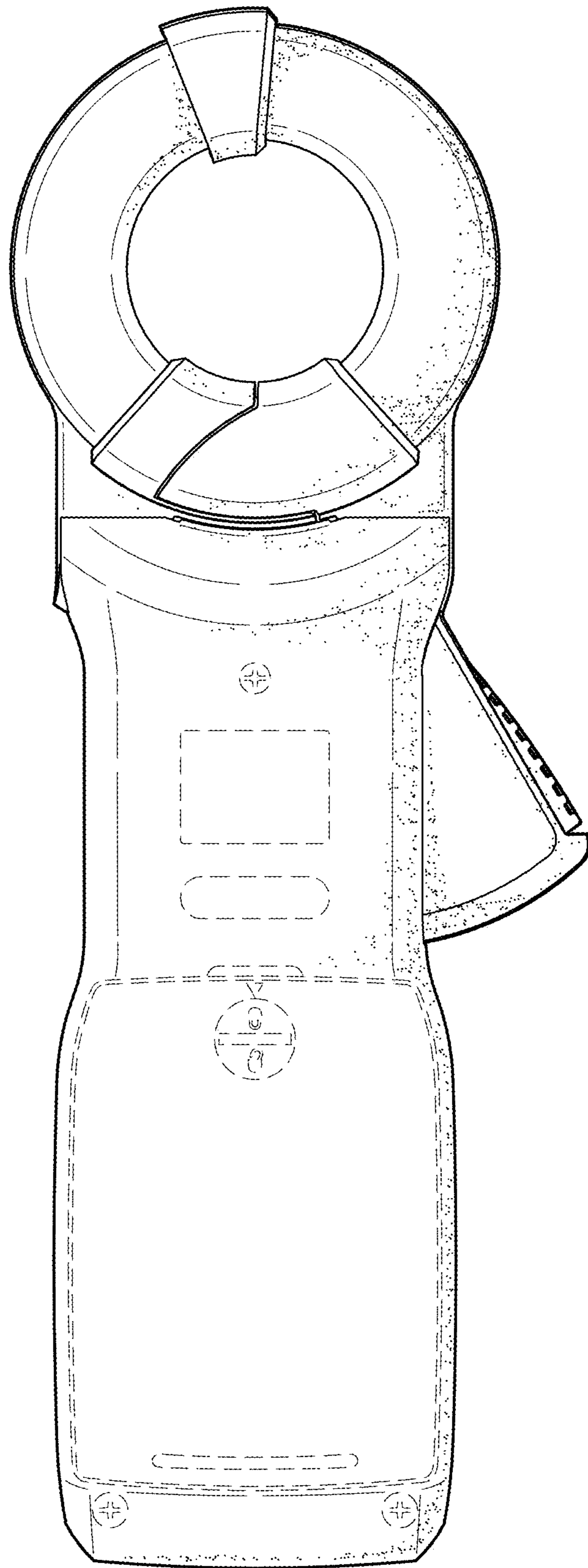


FIG. 3

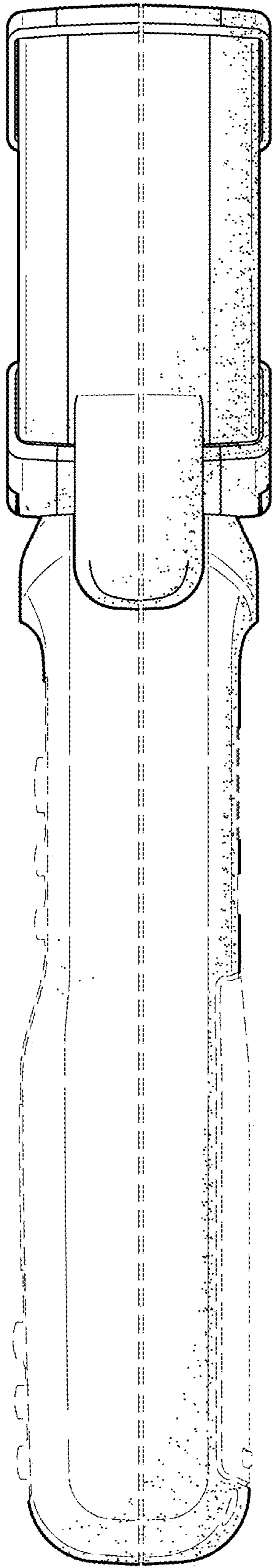


FIG. 4

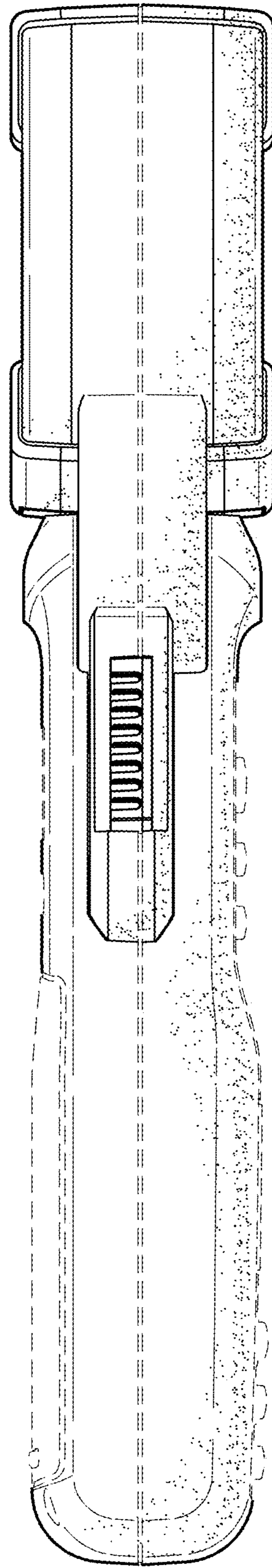


FIG. 5

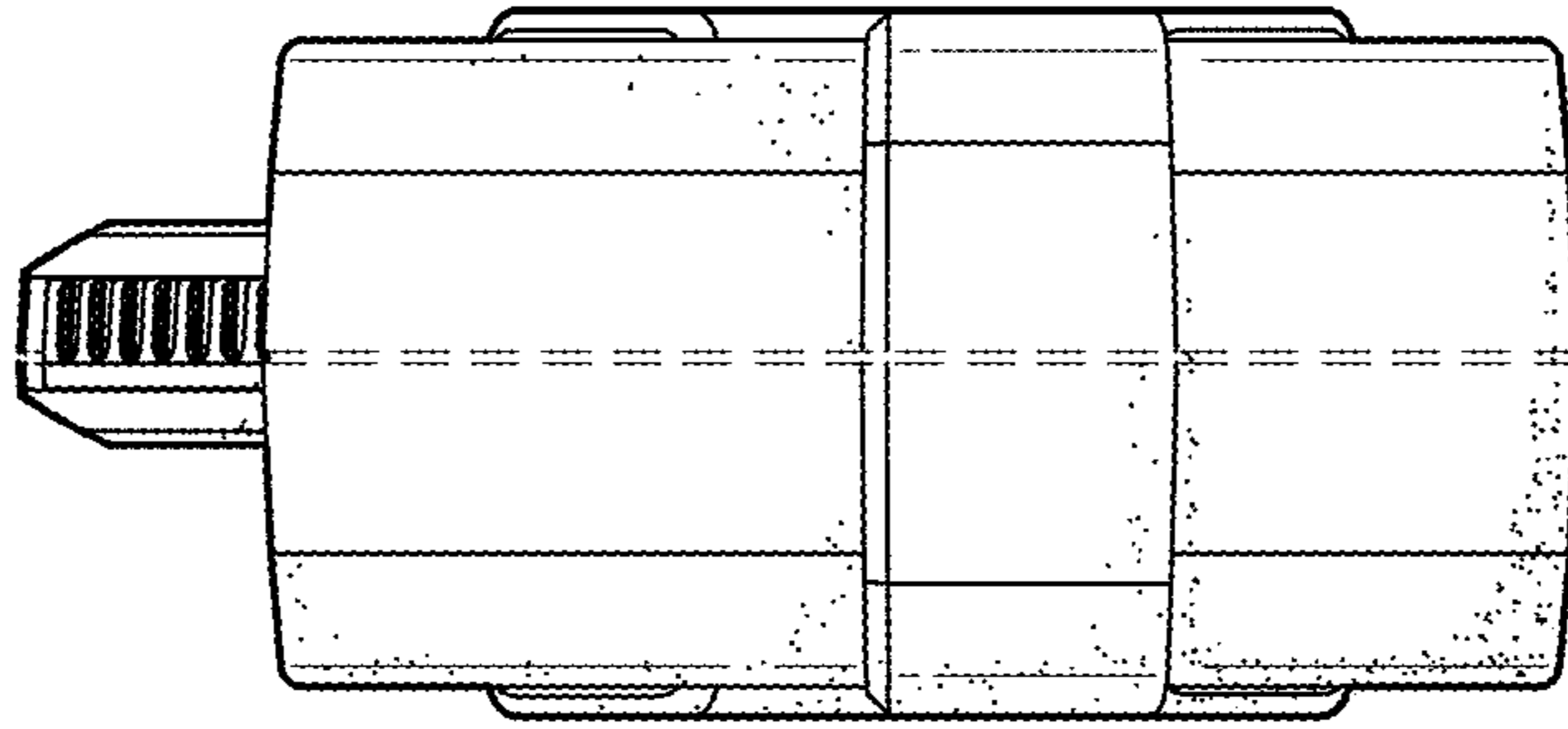


FIG. 6

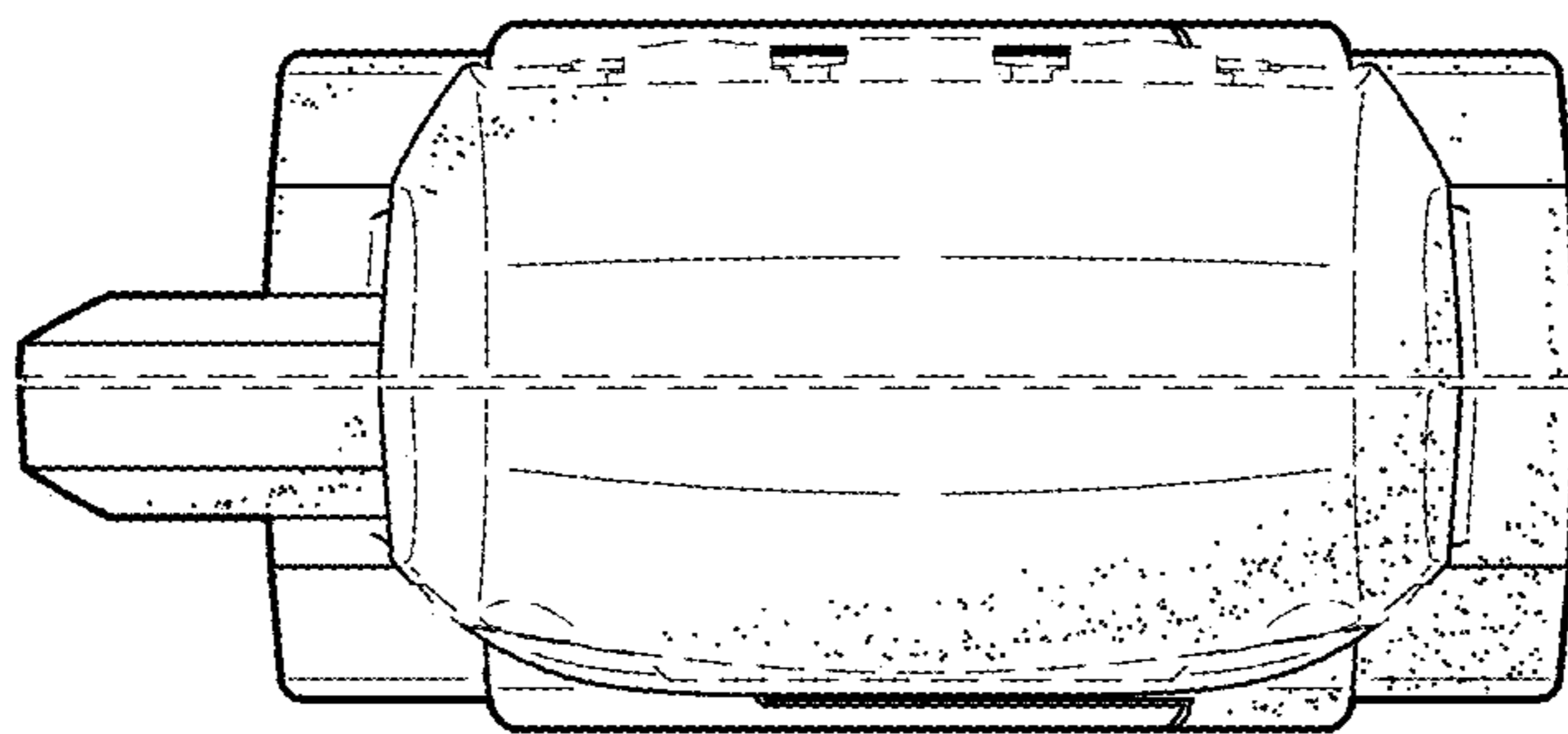


FIG. 7

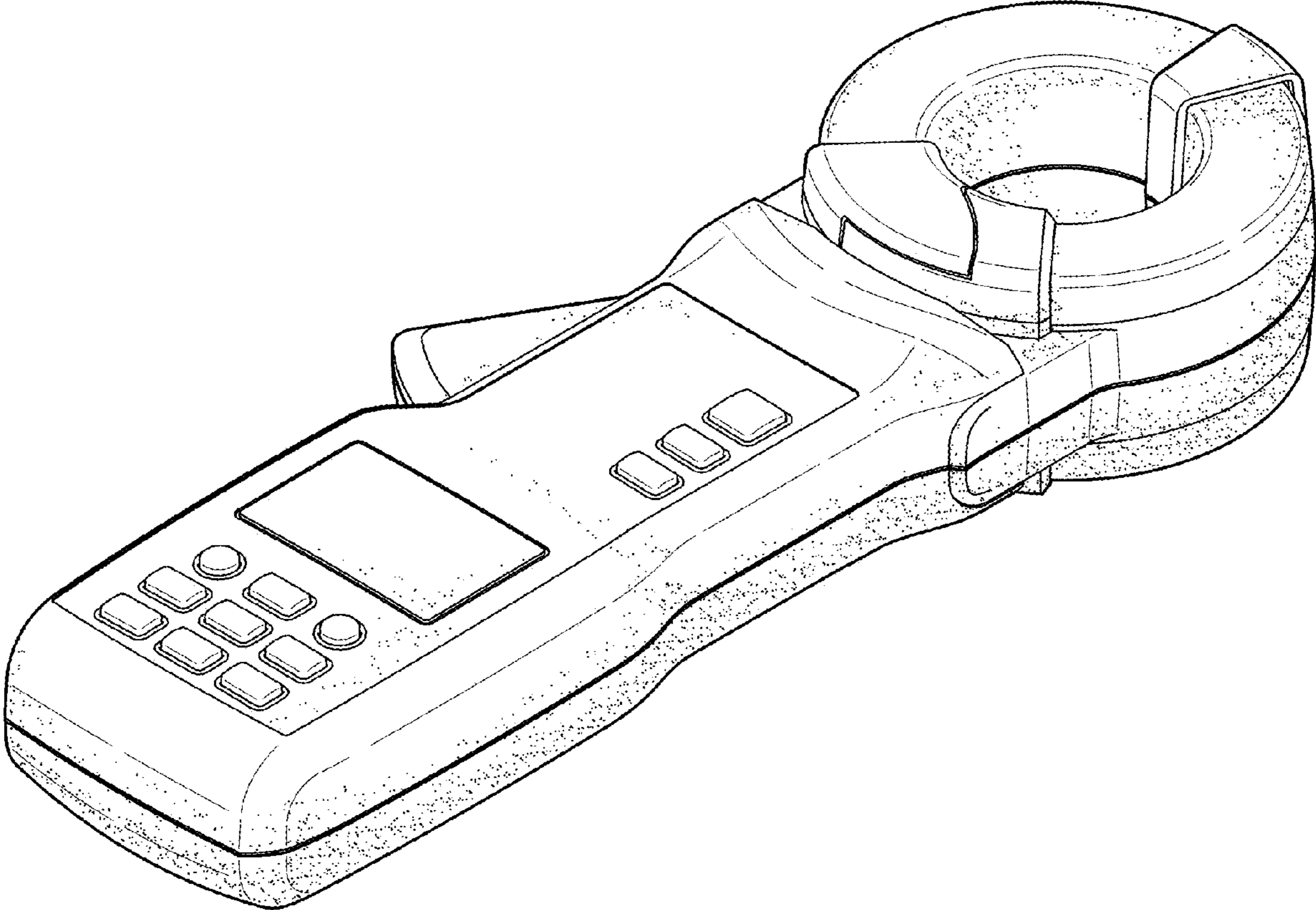


FIG. 8



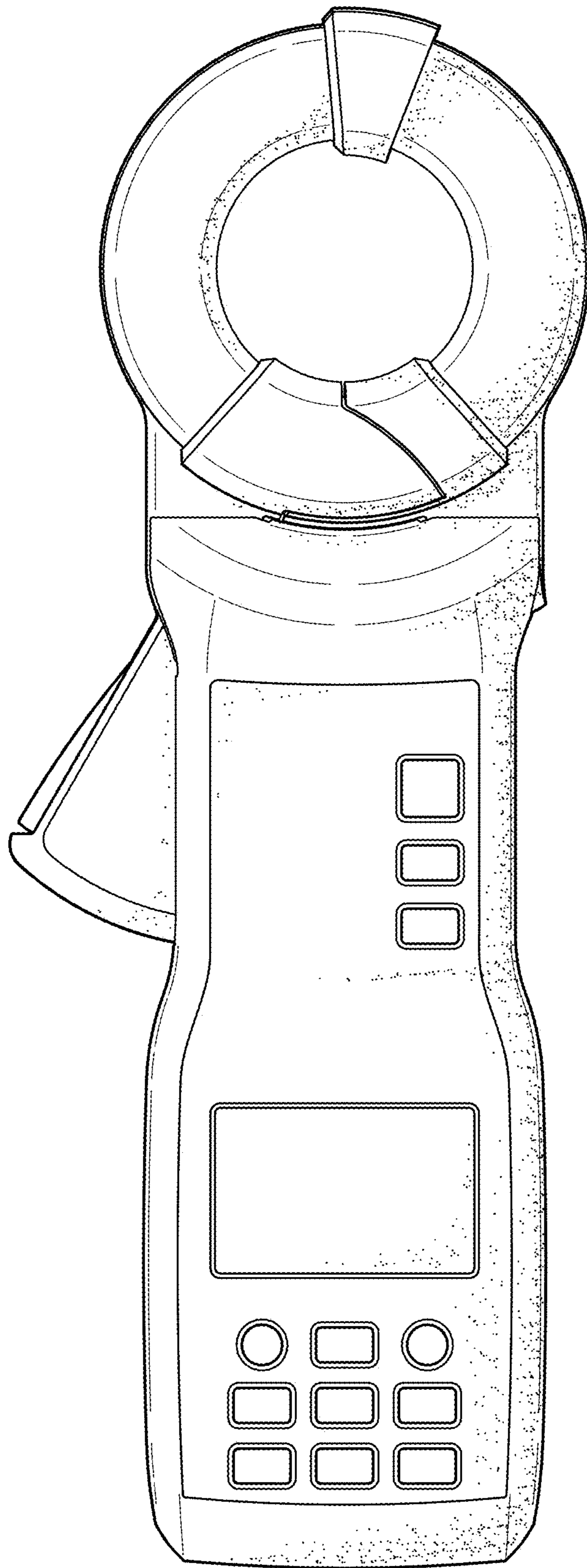


FIG. 9

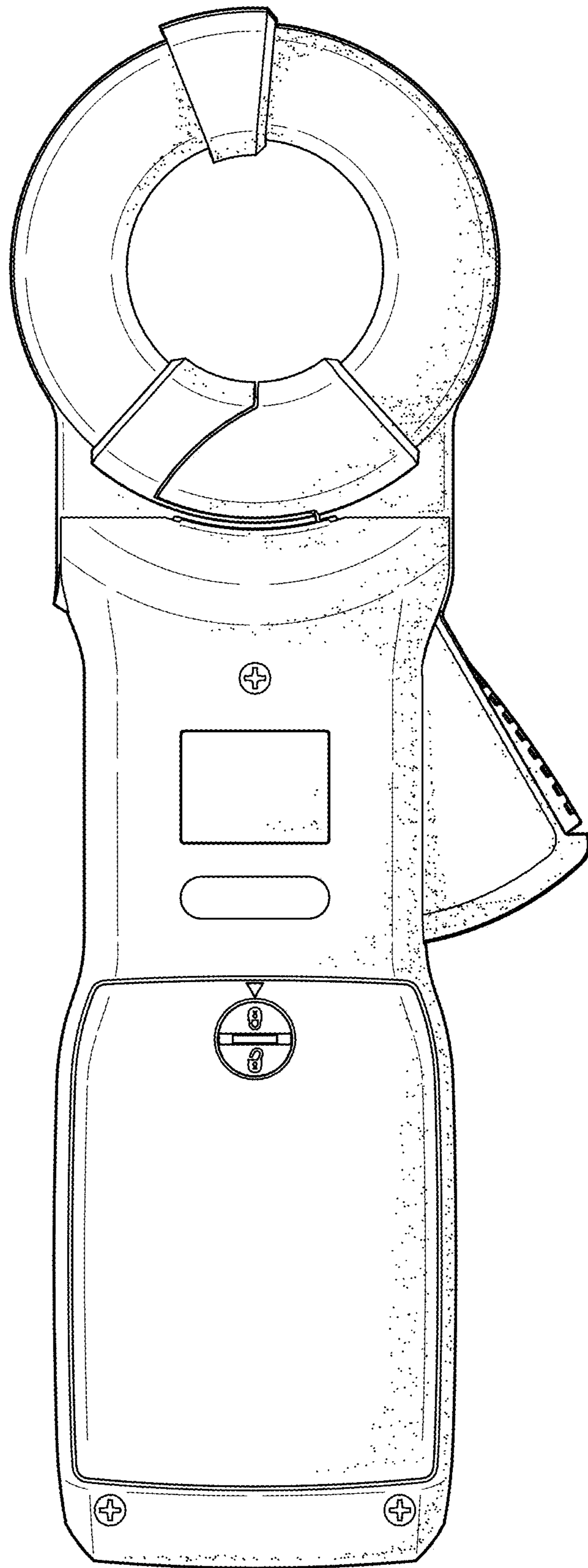


FIG. 10

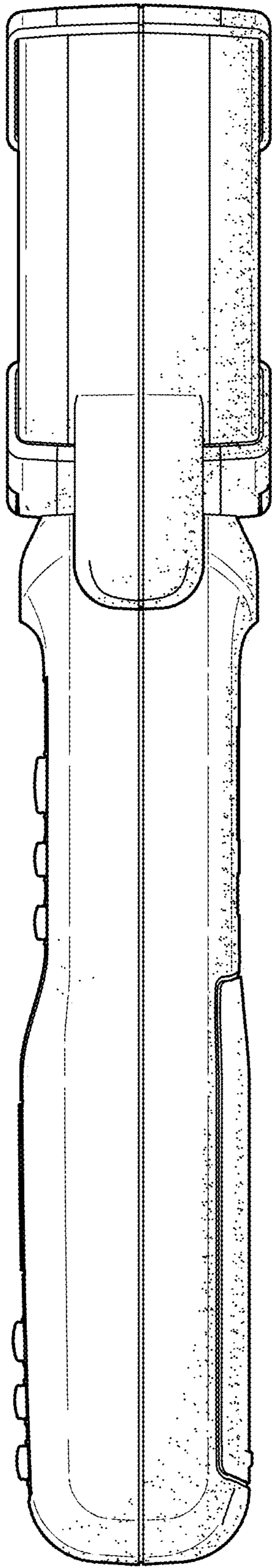


FIG. 11

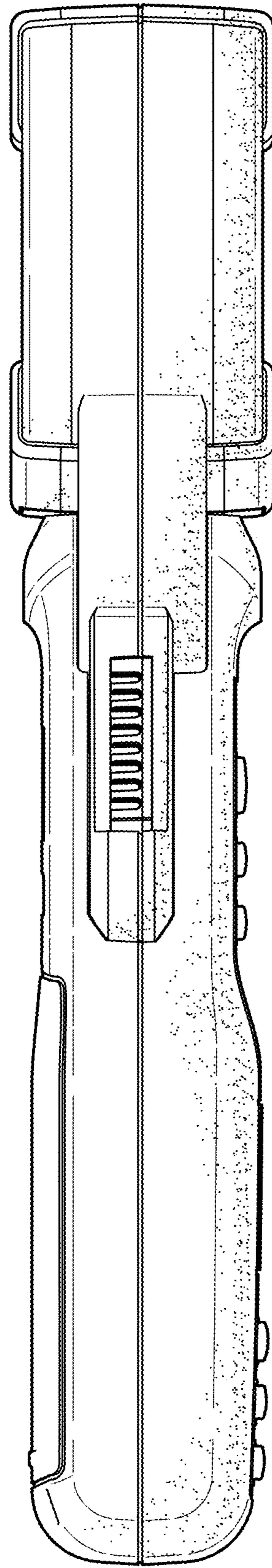


FIG. 12

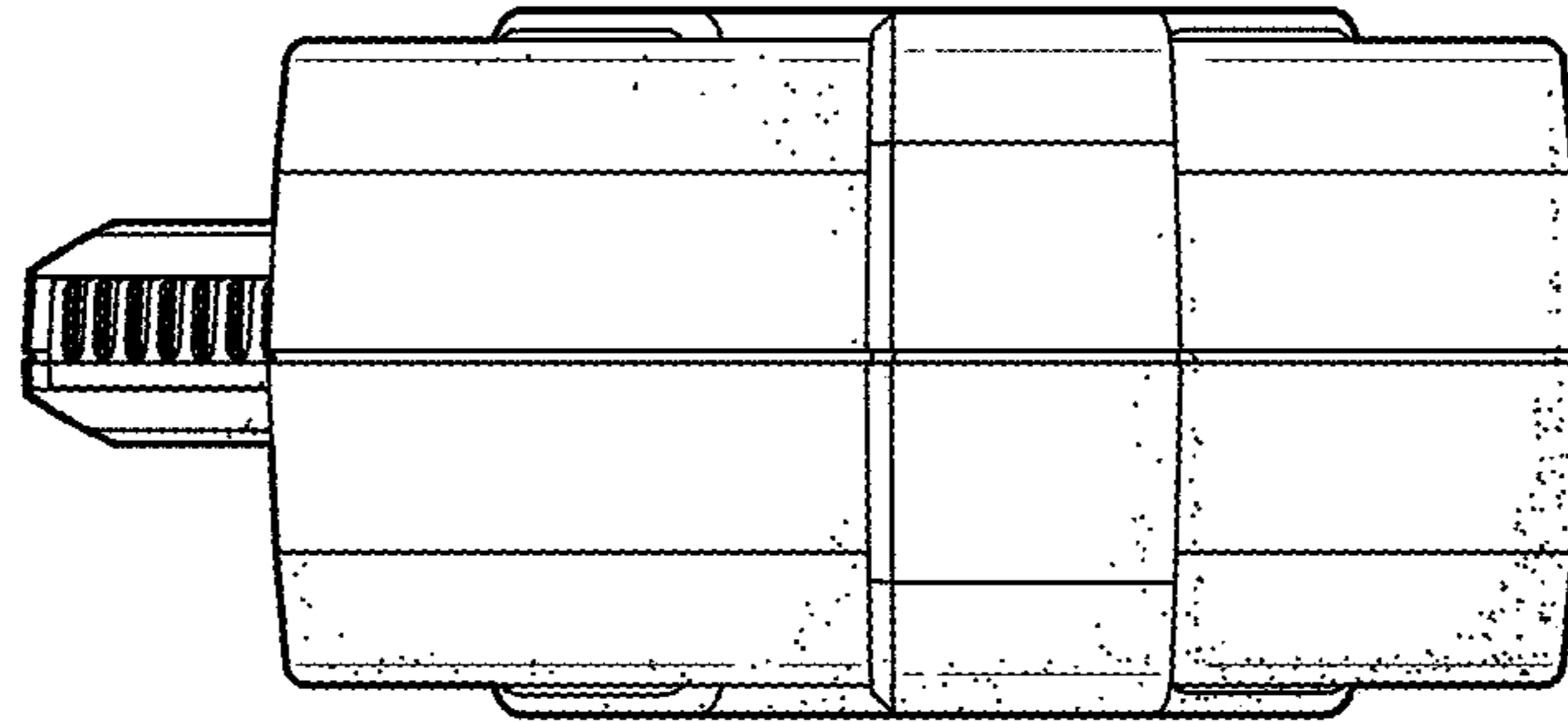


FIG. 13

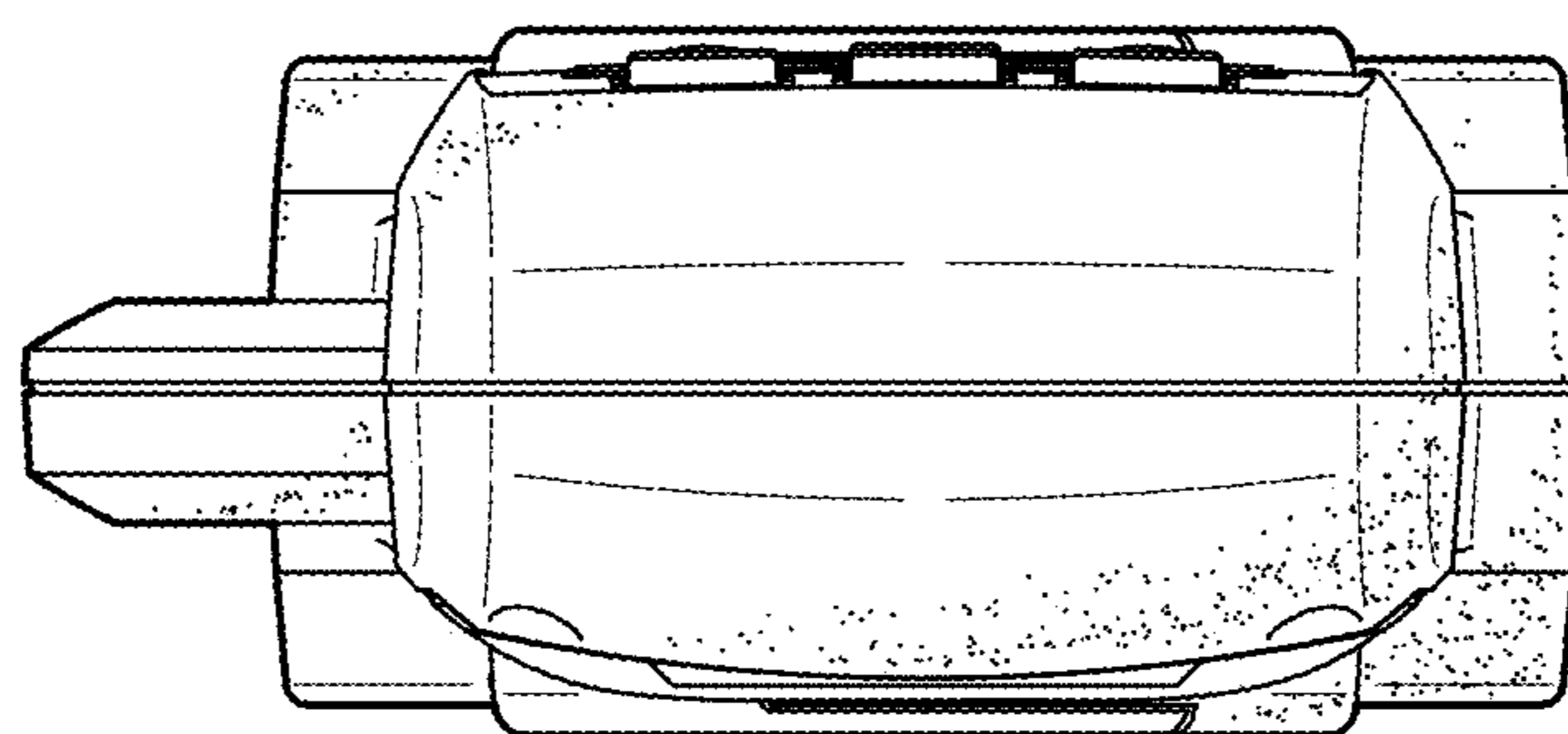


FIG. 14