



US00D875577S

(12) **United States Design Patent**
Fan et al.

(10) **Patent No.:** **US D875,577 S**

(45) **Date of Patent:** **** Feb. 18, 2020**

(54) **NETWORK DIAGNOSTIC DEVICE**

3/26; H04M 3/2254; H04M 3/2263;
H04M 1/72561; H04M 1/2535

(71) Applicant: **Hitron Technologies Inc.**, Hsinchu (TW)

See application file for complete search history.

(72) Inventors: **Chih Hua Fan**, Hsinchu (TW);
Ming-Jui Huang, Hsinchu (TW); **Mei Fang Tseng**, Hsinchu (TW)

(56) **References Cited**

U.S. PATENT DOCUMENTS

D352,009 S * 11/1994 Elkins D10/75
D851,512 S * 6/2019 Laurino D10/75

(73) Assignee: **Hitron Technology Inc.**, Hsinchu (TW)

* cited by examiner

(**) Term: **15 Years**

Primary Examiner — Antoine Duval Davis

(21) Appl. No.: **29/659,600**

(74) *Attorney, Agent, or Firm* — OPES IP Consulting Co. Ltd.

(22) Filed: **Aug. 10, 2018**

(57) **CLAIM**

(51) **LOC (12) Cl.** **10-04**

The ornamental design for a network diagnostic device, as shown and described.

(52) **U.S. Cl.**

DESCRIPTION

USPC **D10/76**

(58) **Field of Classification Search**

USPC D10/75, 76

CPC H04N 7/17309; H04N 17/00; H04N

21/42676; H04N 21/44209; H04N

21/44245; H04N 21/6118; H04N

21/6168; H04N 21/6543; H04L 12/2697;

H04L 43/50; H04L 29/12216; H04L

29/12273; H04L 29/12283; H04L

29/12301; H04L 61/2076; H04L 61/2015;

H04L 61/2053; H04L 61/2061; H04Q

2213/1332; H04Q 2213/1316; H04Q

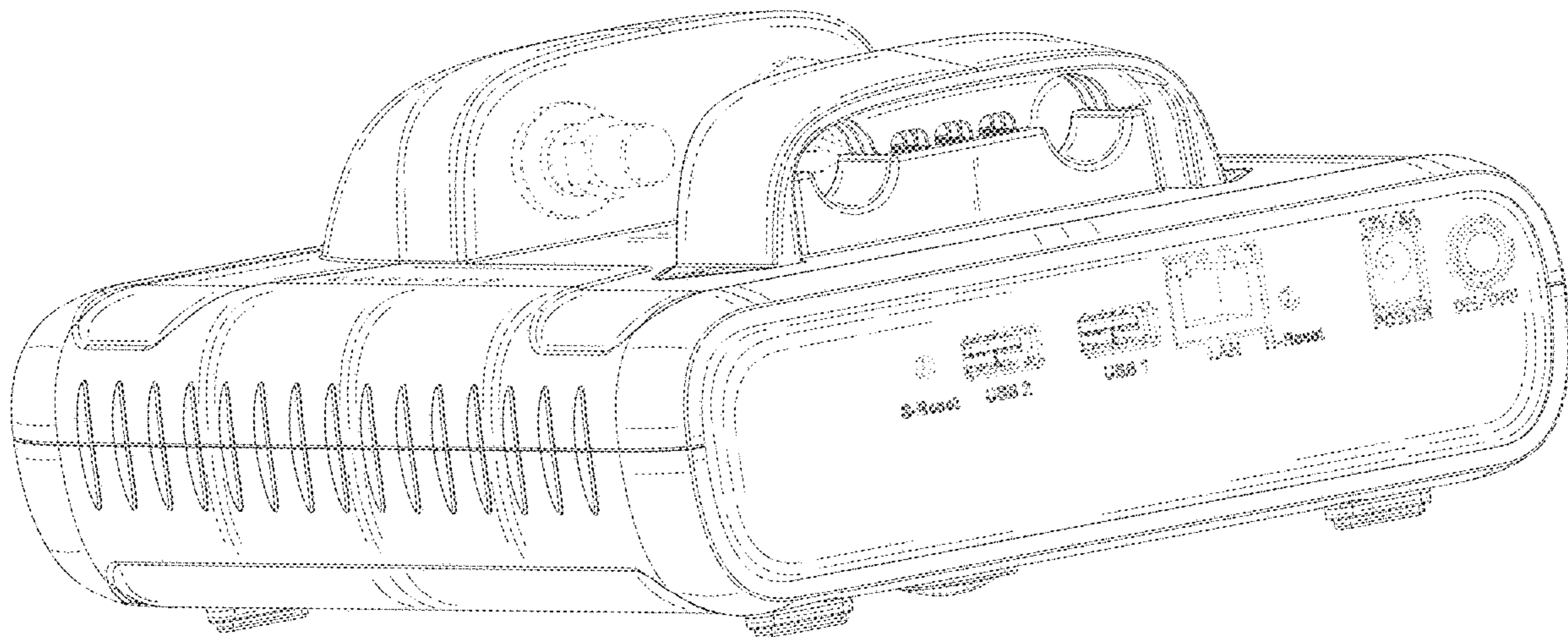
2213/13166; H04Q 2213/13003; H04M

3/308; H04M 3/244; H04M 1/24; H04M

3/306; H04M 3/32; H04M 3/46; H04M

FIG. 1 is a front/left-side/bottom perspective view of the network diagnostic device comprising the present invention; FIG. 2 is a front/right-side/top perspective view thereof; FIG. 3 is a rear/right-side/top perspective view thereof; FIG. 4 is a front view thereof; FIG. 5 is a rear view thereof; FIG. 6 is a top view thereof; FIG. 7 is a bottom view thereof; FIG. 8 is a side view thereof; and, FIG. 9 is another side view thereof. Broken lines are shown for illustrative purposes only and form no part of the claimed design.

1 Claim, 8 Drawing Sheets



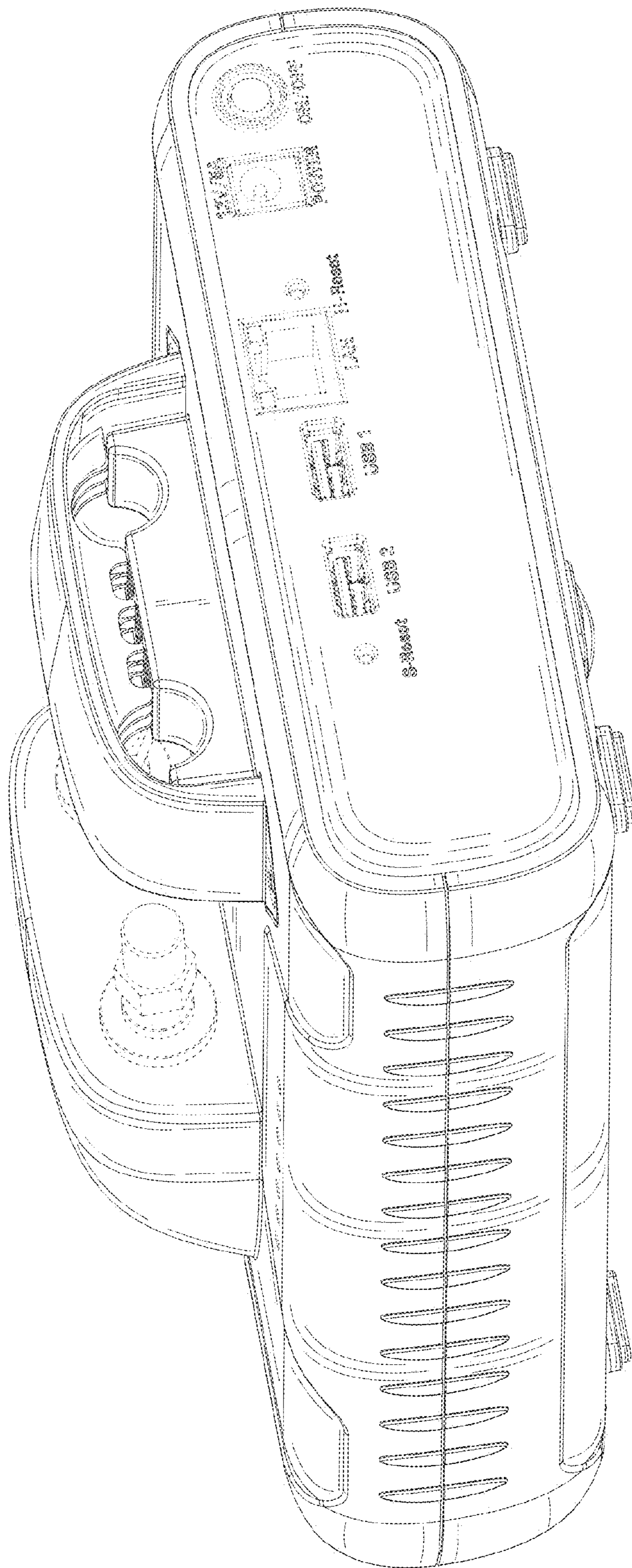


Fig.1

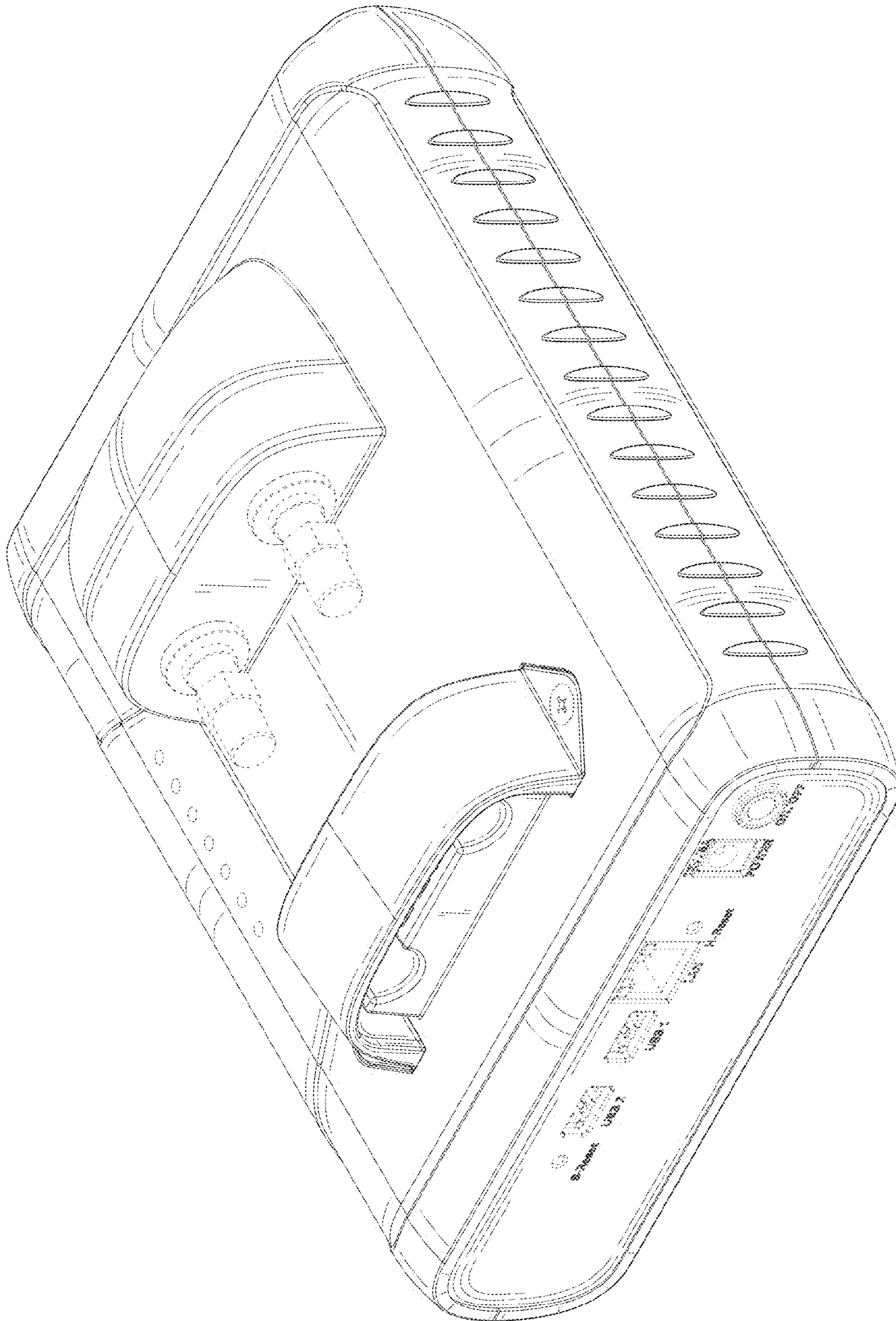


Fig.2

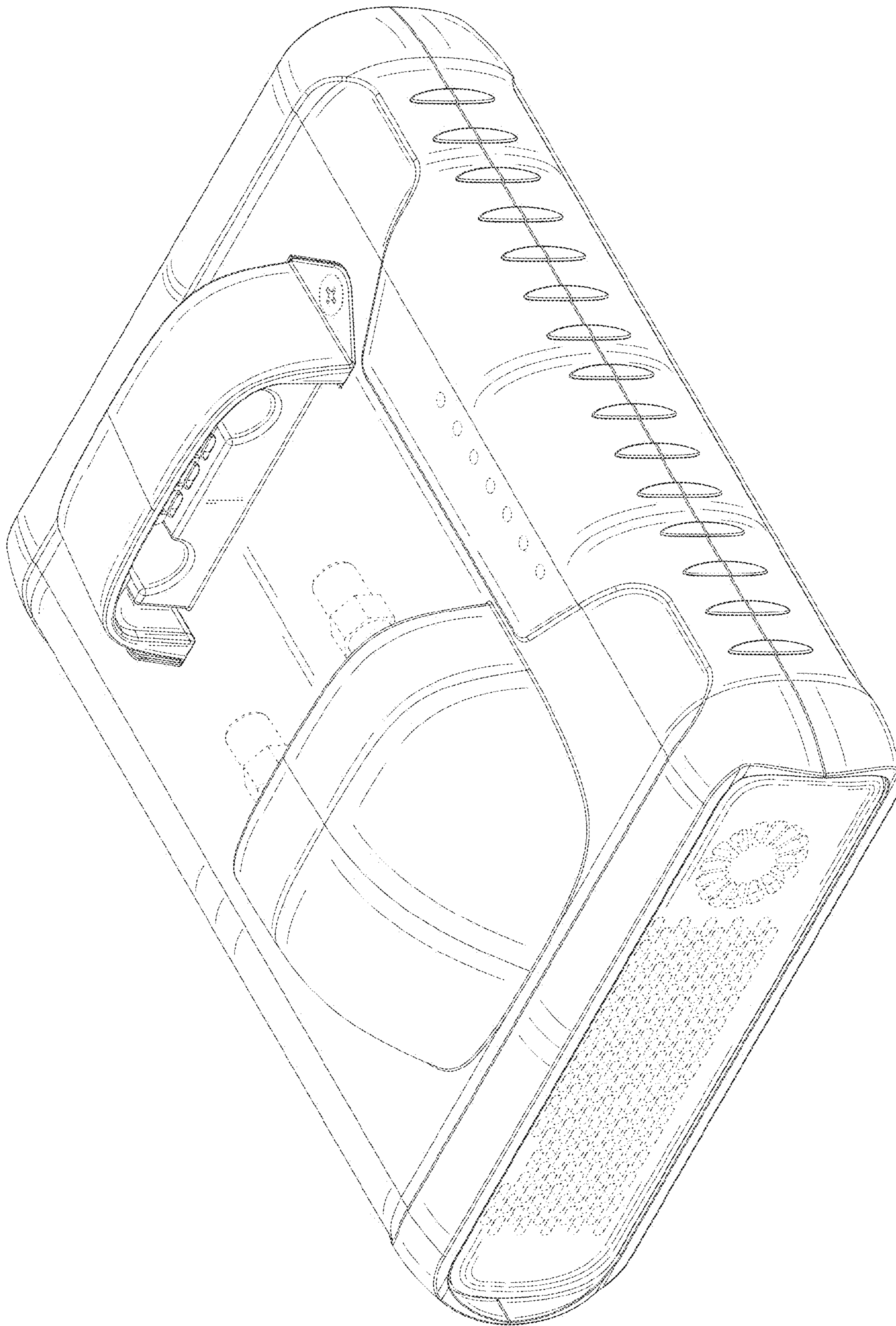


Fig.3

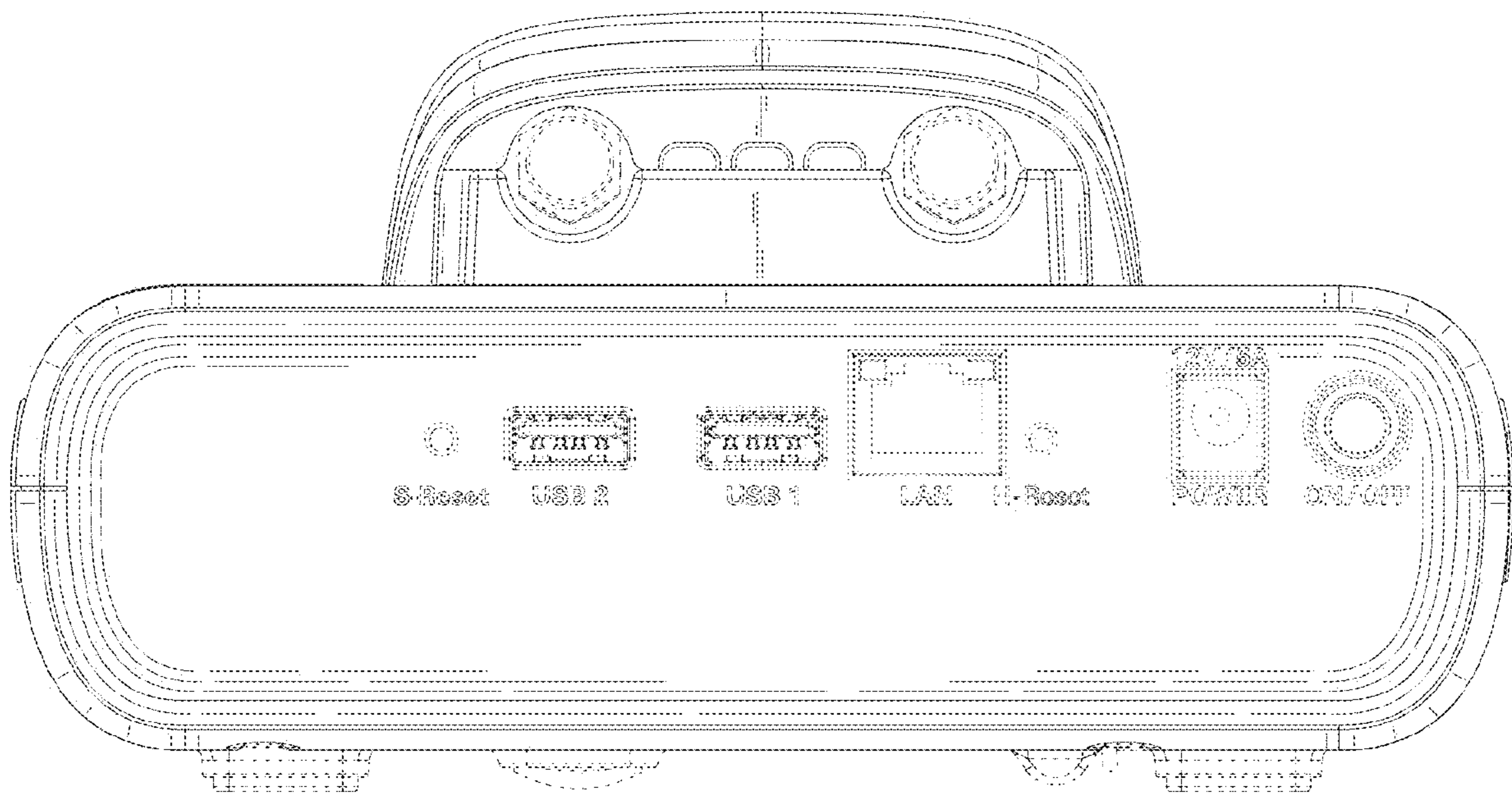


Fig.4

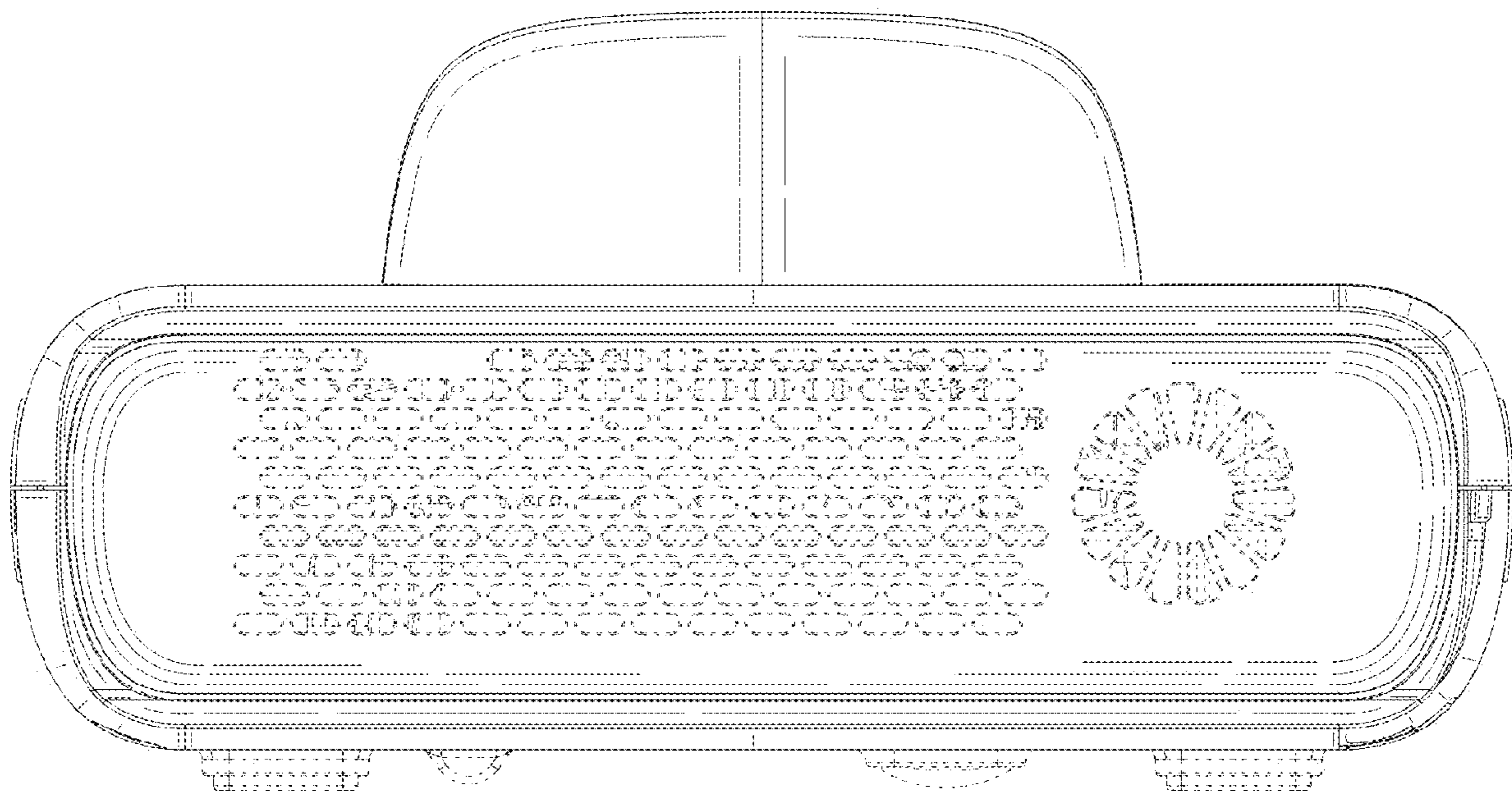


Fig.5

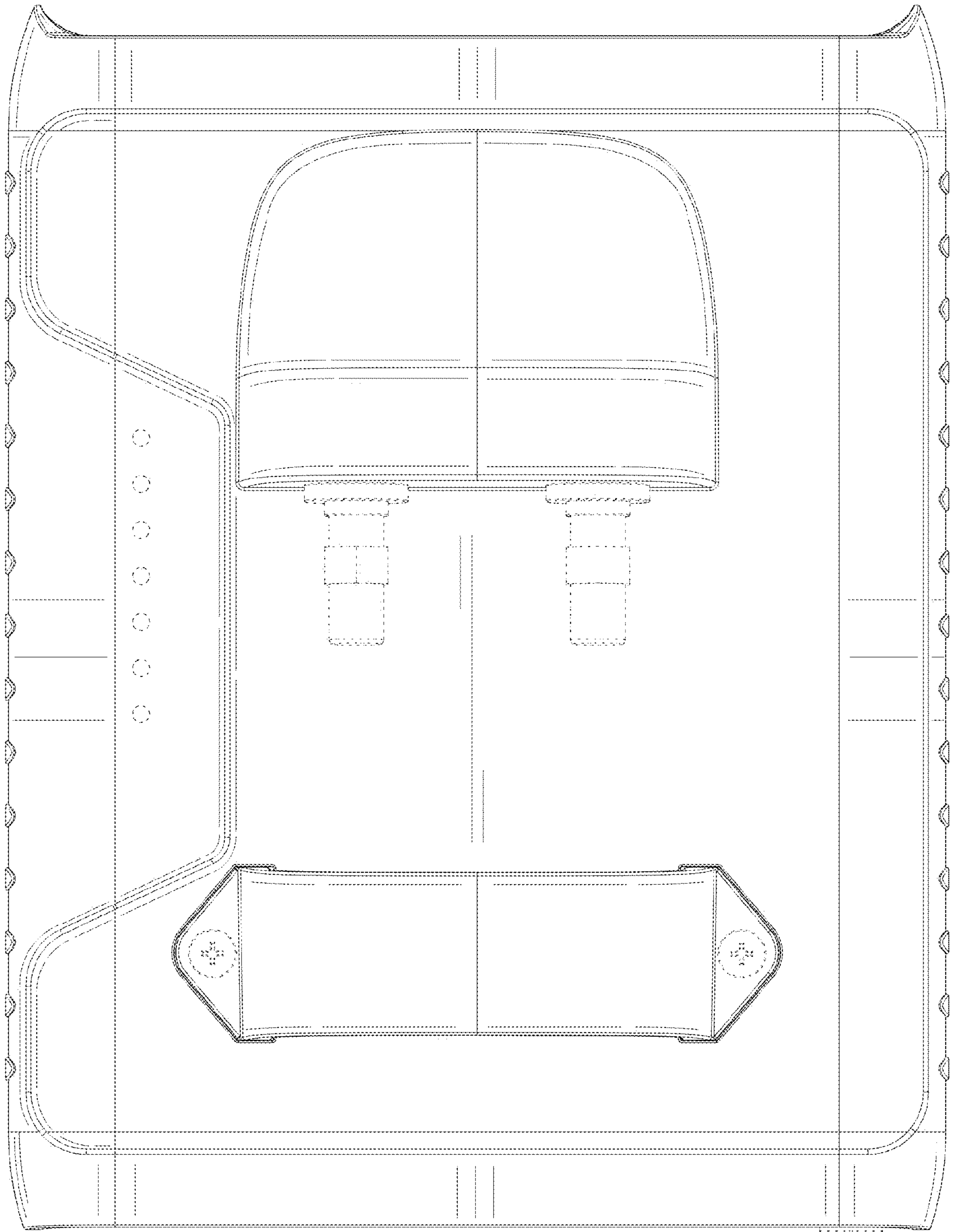


Fig.6

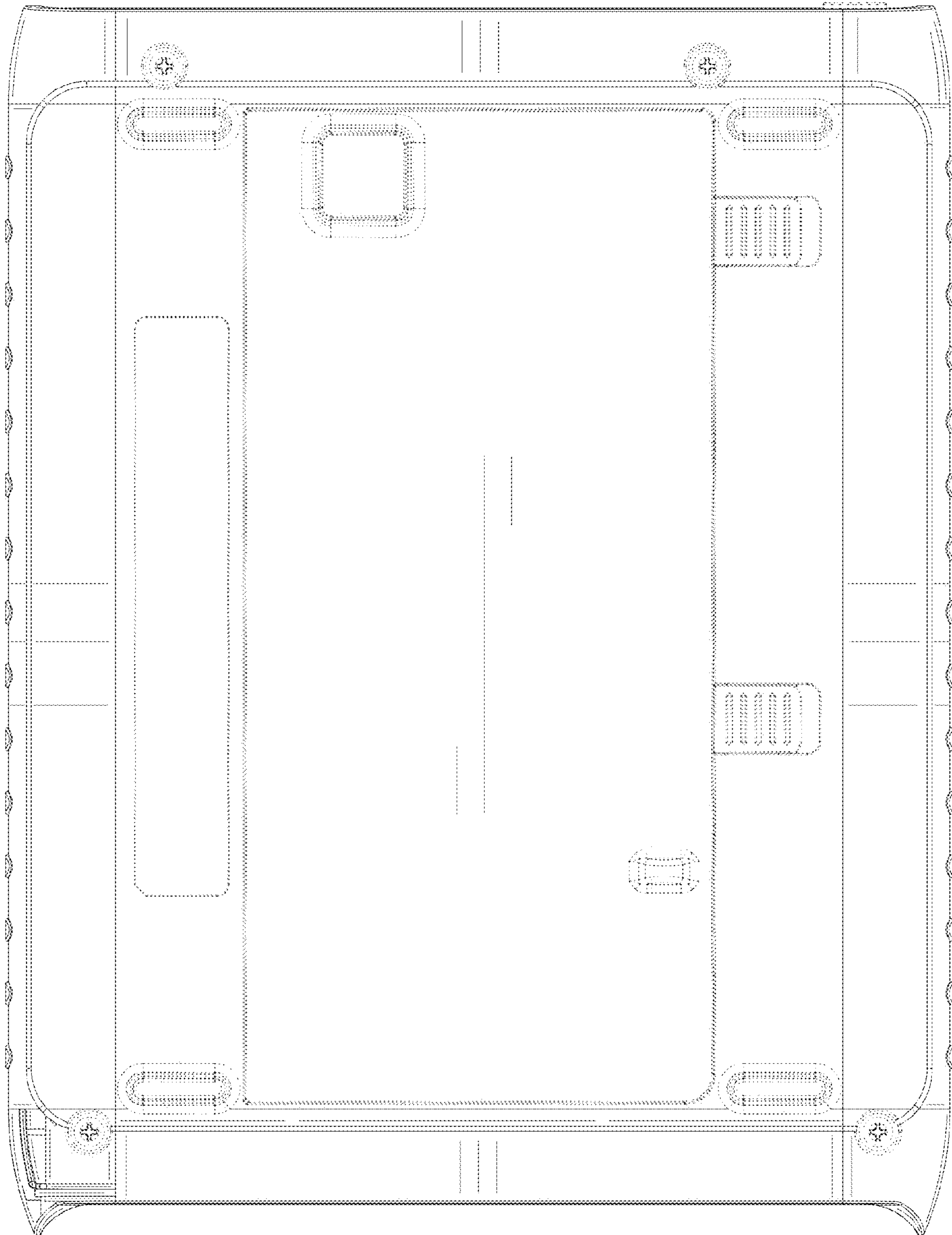


Fig.7

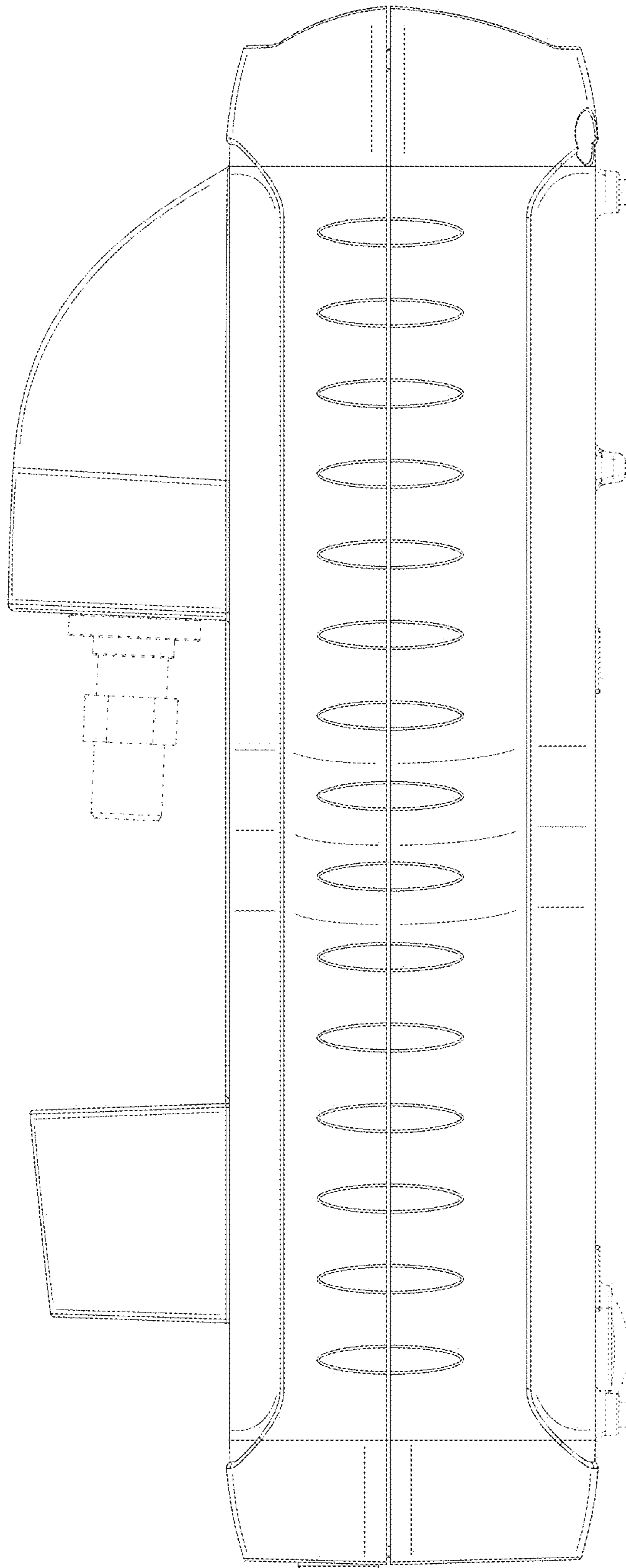


Fig.8

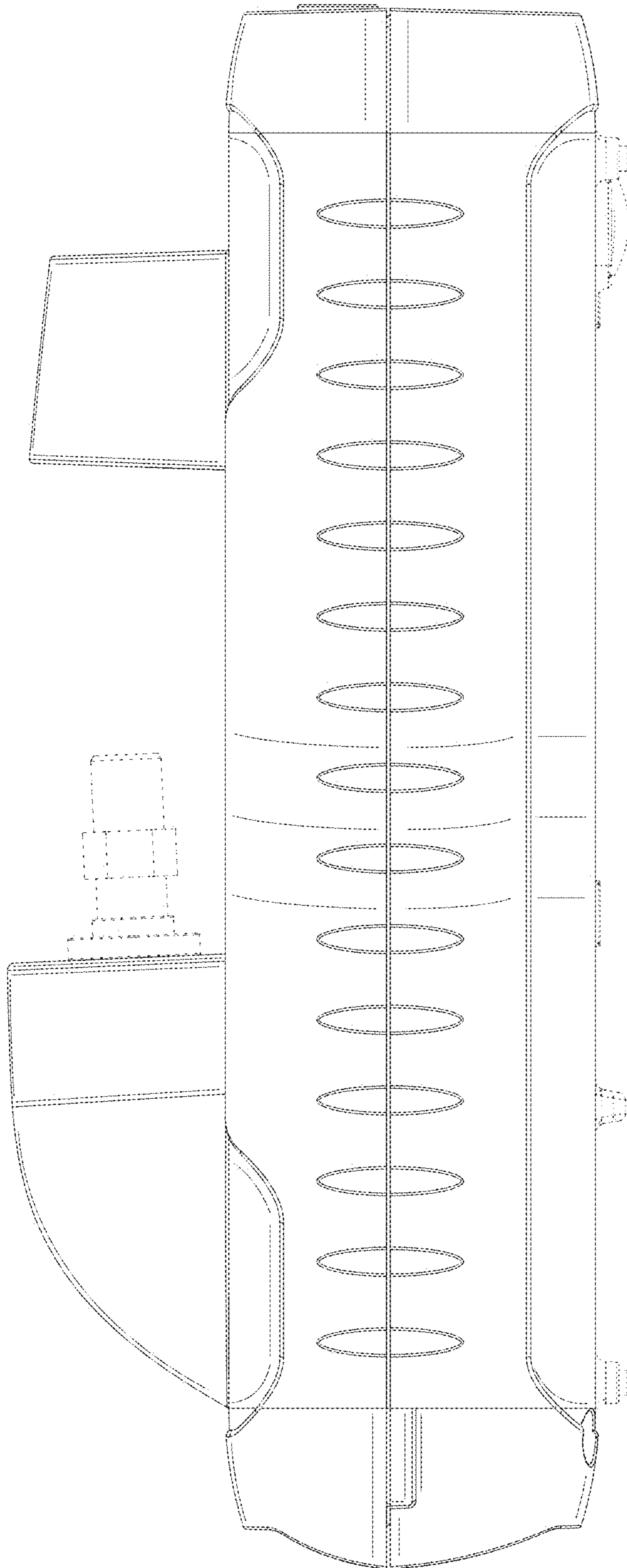


Fig.9